



Please refer to the Lancer web site (www.lancercorp.com) for information relating to Lancer Installation and Service Manuals, Instruction Sheets, Technical Bulletins, Service Bulletins, etc.

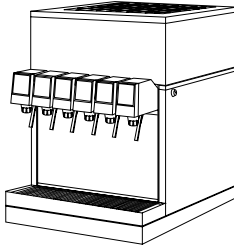
INSTALLATION AND SERVICE MANUAL

FOR LANCER DISPENSERS

SERIES 1500 POSTMIX

SERIES 1500E POSTMIX

SERIES 1500 PREMIX



SPECIFICATIONS 1500 POSTMIX

DIMENSIONS

Width	19 3/16 inches	(48.74 cm)
Depth	24 inches	(60.96 cm)
Height (without legs)	25 3/8 inches	(64.45 cm)

WEIGHT

Shipping	150 pounds	(68.2 kg)
Empty	130 pounds	(59.0 kg)
Operating	220 pounds	(99.8 kg)

ICE BANK WEIGHT

30 pounds (13.6 kg)

WATER BATH CAPACITY

12 gallons (45.4 liters)

COMPRESSOR

1/3 HP, Tecumseh, 115V/60Hz

AGITATOR MOTOR

25 W, 115V

CONDENSER MOTOR

9 W, 115V

ICE BANK CONTROL

Lancer Electronic Ice Bank Control (EIBC)

TRANSFORMER

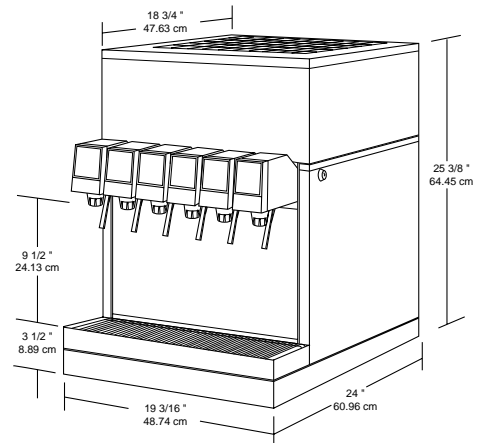
Basler, 115V (Primary)/24V (Secondary)

OPTIONS

230V/50Hz and 240V/60Hz systems available

DRINK CAPACITY

395 - 12 ounce (354.8 ml) drinks under 40°F (4.4°C) at four (4) drinks per minute with 75°F (23.9°C) ambient inlet water and syrup.



This is an initial manual release.



6655 LANCER BLVD. • SAN ANTONIO, TEXAS 78219 USA • (210) 310-7000

FAX SALES

• NORTH AMERICA – 210-310-7245 • INTERNATIONAL SALES – 210-310-7242 • CUSTOMER SERVICE – 210-310-7242 •
• LATIN AMERICA – 210-310-7245 • EUROPE – 32-2-755-2399 • PACIFIC – 61-8-8268-1978 •

FAX ENGINEERING: • 210-310-7096

"Lancer" is the registered trademark of Lancer • Copyright — 2000 by Lancer, all rights reserved.

REV. 02/11/00
P.N. 28-0450

SPECIFICATION
1500E POSTMIX

DIMENSIONS

Width	19 3/16 inches	(48.74 cm)
Depth	24 inches	(60.96 cm)
Height (without legs)	25 3/8 inches	(64.45 cm)

WEIGHT

Shipping	150 pounds	(68.2 kg)
Empty	130 pounds	(59.0 kg)
Operating	220 pounds	(99.8 kg)

ICE BANK WEIGHT

30 pounds	(13.6 kg)
-----------	-----------

WATER BATH CAPACITY

12 gallons	(45.4 liters)
------------	---------------

COMPRESSOR

1/3 HP Tecumseh 115V/60Hz

AGITATOR MOTOR

25 W, 115V

CONDENSER MOTOR

9 W, 115V

ICE BANK CONTROL

Lancer Electronic Ice Bank Control (EIBC)

TRANSFORMER

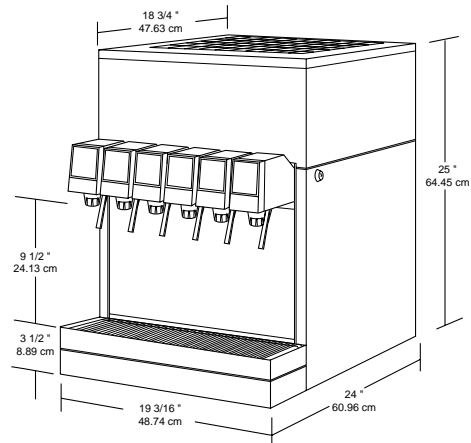
Basler, 115V (Primary)/24V (Secondary)

OPTIONS

230V/50Hz and 240V/60Hz systems available

DRINK CAPACITY

350 - 12 ounce (354.8 ml) drinks under 40°F (4.4°C) at four (4) drinks per minute with 75°F (23.9°C) ambient inlet water and syrup.



SPECIFICATION
1500 PREMIX

DIMENSIONS

Width	19 3/16 inches	(48.74 cm)
Depth	24 inches	(60.96 cm)
Height (without legs)	25 3/8 inches	(64.45 cm)

WEIGHT

Shipping	150 pounds	(68.2 kg)
Empty	130 pounds	(59 kg)
Operating	220 pounds	(99.8 kg)

ICE BANK WEIGHT

30 pounds	(13.6 kg)
-----------	-----------

WATER BATH CAPACITY

12 gallons	(45.4 liters)
------------	---------------

COMPRESSOR

1/3 HP, Tecumseh, 115V/60Hz

AGITATOR MOTOR

25 W, 115V

CONDENSER MOTOR

9 W, 115V

ICE BANK CONTROL

Lancer Electronic Ice Bank Control (EIBC)

TRANSFORMER

Basler, 115V (Primary)/24V (Secondary)

OPTIONS

230V/50Hz and 240V/60Hz systems available

VALVES

Cornelius Premix

DRINK CAPACITY

220 - 12 ounce (354.8 ml) drinks under 40°F (4.4°C) at four (4) drinks per minute with 75°F (23.9°C) ambient inlet water and syrup.

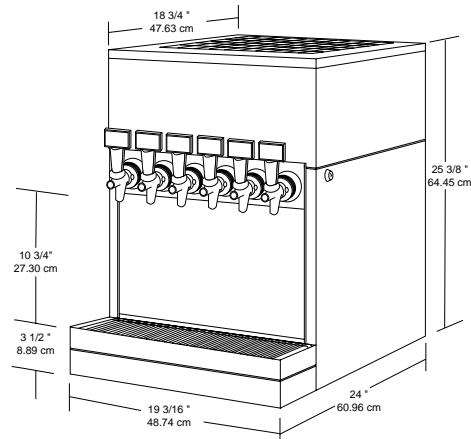


TABLE OF CONTENTS

SPECIFICATIONS 1500 POSTMIX	Cover
SPECIFICATIONS 1500E POSTMIX	i
SPECIFICATIONS 1500 PREMIX	i
TABLE OF CONTENTS	ii
1. INSTALLATION	1
1.1 RECEIVING.....	1
1.2 UNPACKING	1
1.3 SELECTING A COUNTER LOCATION.....	1
1.4 CONNECTING THE DRAIN.....	1
1.5 FILLING UNIT WITH WATER	1
1.6 CONNECTING TO ELECTRICAL POWER	2
1.7 CONNECTING TO PLAIN WATER SUPPLY	2
1.8 CONNECTING TO CARBONATED WATER SUPPLY	2
1.9 CONNECTING TO SYRUP SUPPLY	3
1.10 ADJUSTING WATER AND SYRUP FLOW	3
2. SCHEDULED MAINTENANCE	3
2.1 DAILY	3
2.2 WEEKLY	3
2.3 MONTHLY	3
2.4 EVERY SIX MONTHS	3
2.5 YEARLY.....	4
3. DISPENSER CLEANING AND SANITIZING	4
3.1 AMBIENT PROCESS	4
3.2 VALVES	4
4. TROUBLESHOOTING	5
4.1 WATER LEAKAGE AROUND NOZZLE	5
4.2 LEAKAGE BETWEEN UPPER AND LOWER VALVE BODIES.....	5
4.3 MISCELLANEOUS LEAKAGE	5
4.4 INSUFFICIENT WATER FLOW.....	5
4.5 INSUFFICIENT SYRUP FLOW	5
4.6 ERRATIC RATIO	5
4.7 NO PRODUCT DISPENSED	5
4.8 WATER ONLY DISPENSED; NO SYRUP; OR SYRUP ONLY DISPENSED; NO WATER.....	5
4.9 VALVE WILL NOT SHUT OFF	6
4.10 EXCESSIVE FOAMING	6
4.11 COMPRESSOR DOES NOT START (NO HUM), BUT CONDENSER FAN MOTOR RUNS.....	6
4.12 COMPRESSOR STARTS AND CONTINUES TO RUN UNTIL FREEZE UP AND WILL NOT CUT OFF	6
4.13 COMPRESSOR DOES NOT START BUT HUMS	6
4.14 COMPRESSOR STARTS BUT DOES NOT SWITCH OFF START WINDING	6
4.15 COMPRESSOR STARTS AND RUNS A SHORT TIME BUT SHUTS OFF ON OVERLOAD	6
4.16 COMPRESSOR AND CONDENSER FAN MOTOR WILL NOT START AFTER FIVE (5) MINUTE POWER OFF DELAY (<i>LANCER EIBC EXPORT ONLY</i>)	7
4.17 COMPRESSOR AND CONDENSER FAN MOTOR WILL NOT START AFTER FIVE (5) MINUTE POWER OFF DELAY (<i>LANCER EIBC USA ONLY</i>)	7
4.18 WARM DRINKS.....	7
5. ILLUSTRATIONS, PARTS LISTS AND WIRING DIAGRAMS	8
5.1 WIRING DIAGRAM AND CONTROL HOUSING CONNECTIONS, ELECTRONIC ICE BANK CONTROL, USA ONLY	8
5.2 SERIES 1500 REFRIGERATION DECK ASSEMBLY, R-134A, WITH LANCER ICE BANK CONTROL (EIBC); PN 82-2667; USA ONLY.....	9-10
5.3 SERIES 1500 REFRIGERATION DECK ASSEMBLY, R-134A, WITH LANCER ICE BANK CONTROL (EIBC); PN 82-2050E, 115V/60HZ; PN 82-2099E, 230V/50HZ; PN 82-2048E, 240V/60HZ; EXPORT ONLY	11-12
5.4 SERIES 1500 CABINET ASSEMBLY, HIGH PERFORMANCE.....	13-14
5.5 SERIES 1500E AND 1500 PREMIX CABINET ASSEMBLY	15-16

1. INSTALLATION

1.1 RECEIVING

Each unit is completely tested under operating conditions and thoroughly inspected before shipment. At the time of shipment, the carrier accepts the unit and any claim for damages must be made with the carrier. Upon receiving units from the delivering carrier, carefully inspect carton for visible indication(s) of damage. If damage(s) exists, have carrier note the same on the bill of lading and file a claim with the carrier.

1.2 UNPACKING

- A. Remove top portion of carton by lifting up.
- B. Remove top inner carton pad and corners.
- C. Remove accessory kit of loose parts from drip tray.
- D. Lift Unit up by plywood shipping base and remove lower portion of carton.
- E. Inspect unit for concealed damage(s) and if evident, notify delivering carrier and file a claim against same.
- F. Remove splash plate.

NOTE

Splash plate is located under unit on shipping base for Series 1500E models only.

- G. Remove plywood shipping base from unit by moving unit so that one side is off the counter top or table allowing access to screws on the bottom of the plywood shipping base.

NOTE

If unit is to be transported it is advisable to leave unit secured to plywood shipping base.

- H. If Unit is to be installed with optional legs, assemble legs to unit by tilting unit. ***DO NOT LAY UNIT ON ITS SIDE OR BACK.***
- I. Remove accessory kit of loose parts from drip tray.

1.3 SELECTING A COUNTER LOCATION

- A. The dispenser is designed to sit on a flat, supported surface capable of supporting a minimum weight of 400 pounds (182 kg). It may be either counter or leg mounted. A template is provided to cut and/or drill the necessary holes for mounting.
- B. When the dispenser is to be permanently bolted to the counter top, seal dispenser base to counter top with a bead of clear silicone caulk or sealant which provides a smooth and easily cleanable bond to the counter.

NOTE

NSF listed units must be sealed to the counter or have four (4) inch legs installed.

WARNING

FAILURE TO MAINTAIN THE PROPER AIR CLEARANCE WILL CAUSE THE COMPRESSOR TO OVERHEAT AND WILL RESULT IN PREMATURE COMPRESSOR FAILURE.

- C. Locate dispenser to allow approximately 15 inches (38 cm) of unobstructed space above and six (6) inches (16 cm) behind the unit for proper air circulation. Air is drawn in through the back grill and exhausted out of the top grill.
- D. The bonnet may be removed by lifting bonnet upward.

1.4 CONNECTING THE DRAIN

- A. Remove cup rest. Lift splash plate up and pull out and down on the bottom to remove.
- B. Remove the drip tray from the unit and connect the drain tube to the drain fitting located on the bottom. Secure drain tube with clamp provided in accessory kit.
- C. Route the drain tube to a suitable drain and replace the unit's drip tray.

1.5 FILLING UNIT WITH WATER

- A. Remove the bonnet from the unit.
- B. Remove the yellow plastic plug from the unit's fill hole.
- C. Fill the water bath compartment with water until it flows out of the overflow tube into the drip tray. Use bottled drinking water where hard water problems exist. *Do not use distilled water with units*

equipped with electronic ice bank controls.

- D. Replace the yellow plug.
- E. Reinstall bonnet on dispenser.

1.6 CONNECTING TO ELECTRICAL POWER

WARNING

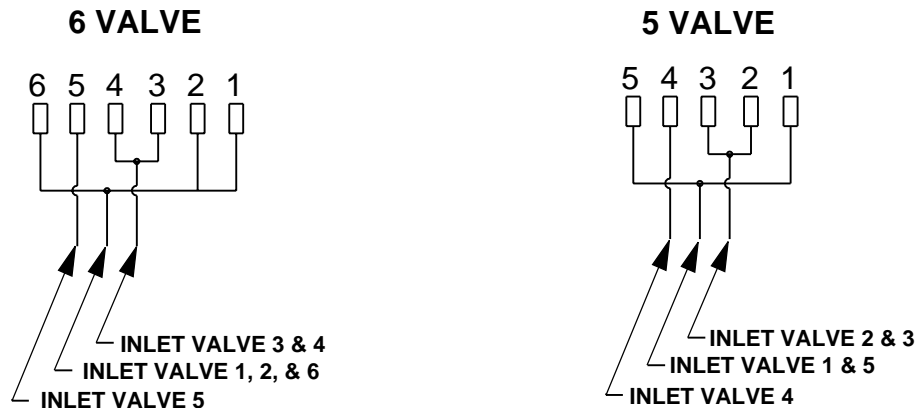
THIS UNIT MUST BE PROPERLY ELECTRICALLY GROUNDED TO AVOID POSSIBLE FATAL ELECTRICAL SHOCK OR SERIOUS INJURY TO THE OPERATOR. THE POWER CORD IS PROVIDED WITH A THREE PRONG GROUNDED PLUG. IF A THREE-HOLE GROUNDED ELECTRICAL OUTLET IS NOT AVAILABLE, USE AN APPROVED METHOD TO GROUND THE UNIT.

DO NOT USE EXTENSION CORDS WITH THIS UNIT. DO NOT "GANG" TOGETHER WITH OTHER ELECTRICAL DEVICES ON THE SAME OUTLET.

- A. Check the dispenser serial number plate for unit's correct electrical requirements. *Do not plug into electrical outlet unless unit electrical configuration, located on serial plate, agrees with local available power supply.*
- B. Route the power supply cord to a grounded electrical outlet of the proper voltage and amperage rating, and plug in the unit. This will turn on the refrigeration system and allow it to start cooling while completing the rest of the installation. Approximately three (3) hours are required to form a full ice bank.

NOTE

Units equipped with an electronic ice bank control contain a five (5) minute delay. Compressor and fan motor will not begin running until five (5) minutes after the unit is energized.



**Carbonated Water/Plain Water
Plumbing Diagram
Figure 1**

1.7 CONNECTING TO PLAIN WATER SUPPLY

NOTE

The water supply must be protected by means of an air gap, a backflow prevention device (located upstream of the CO₂ injection system) or another approved method to comply with NSF standards. A backflow prevention device must comply with ASSE and local standards. *It is the responsibility of the installer to ensure compliance.*

See Figure 1.

If unit has no plain water circuits, proceed to Section 1.8.

- A. Valves 2, 3, and 4 (on 5 valve units) and valves 3, 4, and 5 (on 6 valve units) have optional plain water or carbonated water capabilities. Using Figure 1, determine which valves are to be plumbed with plain water.
- B. Using proper beverage tubing and fittings, connect to water source [must be 35 PSI (2.4 BAR) or more].

- C. Flush water supply line thoroughly.
- D. Route tubing through cutout in counter or through access hole in back of unit.
- E. Leave 12 inches (30 cm) of extra tubing length below the counter for servicing and moving the dispenser.
- F. Connect to desired plain water inlet behind splash plate and secure with Oetiker Clamp.
- G. Turn on water supply and check for leaks.
- H. Actuate each valve until all air is expelled.

1.8 CONNECTING TO CARBONATED WATER SUPPLY (See Figure 1)

- A. Install carbonator per manufacturer's instructions.
- B. Using proper beverage tubing and fittings, connect to carbonator tank outlets.
- C. Route tubing through cutout in counter or through access hole in back of unit.
- D. Leave 12 inches (30 cm) of extra tubing length below the counter for servicing and moving the dispenser.
- E. Connect to soda inlets behind splash plate and secure with Oetiker Clamps.
- F. Fill with water and pressurize carbonation system per manufacturer's instructions.
- G. Actuate each valve until a smooth flow of carbonated water is obtained.
- H. Check for leaks.

1.9 CONNECTING TO SYRUP SUPPLY

- A. Using proper beverage tubing and fittings, connect to syrup inlets and secure with Oetiker Clamps.
- B. Mark syrup tube assemblies with product ID tape.
- C. Route tubing through cutout in counter or through access hole in back of unit.
- D. Leave 12 inches (30 cm) of extra tubing length below the counter for servicing and moving the dispenser.
- E. Connect to appropriate five (5) gallon syrup containers or bag-in-box system.
- F. Pressurize system.
- G. Actuate each valve until product is observed.
- H. Check for leaks.

1.10 ADJUSTING WATER AND SYRUP FLOW

Refer to Valve Manufacturer's product specifications.

2. SCHEDULED MAINTENANCE

2.1 DAILY

- A. Remove the nozzle and diffuser from each valve and wash them in warm water. *Do NOT use soap or detergent. This will cause foaming and off taste in finished product.*
- B. Remove the cup rest and wash in warm soapy water.
- C. Pour warm soapy water into the drip tray and wipe with a clean cloth.
- D. With a clean cloth and warm water, wipe off all of the unit's exterior surfaces. *DO NOT USE ABRASIVE SOAPS OR STRONG DETERGENTS.*
- E. Replace the cup rest, valve diffusers, and valve nozzles.

2.2 WEEKLY

- A. Taste each product for off tastes and/or brix changes.
- B. Remove the bonnet and check the level of water in the water bath. Replenish as required, and replace the bonnet.

2.3 MONTHLY

- A. Unplug the dispenser from power source.
- B. Remove the bonnet and clean the dirt from the condenser using a soft brush.
- C. Replace the bonnet and reconnect power.

2.4 EVERY SIX MONTHS

- A. Clean and sanitize the unit using the appropriate procedures outlined in Section 3 of this manual.

2.5 YEARLY

- A. Clean water bath interior, including evaporator coils and refrigeration components.
- B. Clean the entire exterior of the unit.
- C. Sanitize syrup lines.

3. DISPENSER CLEANING AND SANITIZING

3.1 AMBIENT PROCESS

- A. The ambient process is the most common method for cleaning and sanitizing dispenser equipment. The detergent should be caustic-based and the sanitizer should be low pH (7.0) chloride solution.
- B. Disconnect syrup containers and remove product from tubing by purging with carbon dioxide.
- C. Rinse the lines and fittings with clean room temperature water to remove all traces of residual product.
- D. Fill lines with a caustic-based (low-sudsing, non-perfumed, and easily rinsed) detergent solution. The solution should be prepared in accordance with the manufacturer's recommendations, but should be at least two (2) percent sodium hydroxide. Make sure the lines are completely filled and allow to stand for at least 10 minutes.
- E. Flush the detergent solution from the lines with clean water. Continue rinsing until phenolphthalein test indicates the rinse water is free of residual detergent.

WARNING

REMOVE SANITIZING SOLUTION FROM DISPENSER AS INSTRUCTED. RESIDUAL SANITIZING SOLUTION LEFT IN SYSTEM COULD CREATE HEALTH HAZARD.

- F. Fill the lines with a low pH (7.0) chlorine solution containing at least 50 PPM (50 mg/L) chlorine. Make sure that lines are completely filled and allow to stand for 10 minutes.
- G. Reconnect syrup containers and ready Unit for operation.
- H. Draw drinks to refill lines and flush the chlorine solution from the dispenser.

NOTE

Please note that a fresh water rinse cannot follow sanitization of equipment. Purge only with the end use product. *This is an NSF requirement.*

- I. Taste the beverage to verify that there is no off taste.

3.2 VALVES

- A. Valves may be cleaned and sanitized in the same manner

WARNING

REMOVE SANITIZING SOLUTION FROM VALVES AS INSTRUCTED. RESIDUAL SANITIZING SOLUTION LEFT IN SYSTEM COULD CREATE HEALTH HAZARD.

- 1. Remove cover and disconnect power so not to activate the valve while cleaning. Remove nozzle and diffuser. Wash these parts in cleaning solution, then immerse them in a bath of sanitizing solution for 15 minutes.
- 2. Visually inspect around nozzle area for syrup residue. This area may be cleaned with warm water and cloth or with the nozzle brush supplied. Wipe off dispensing lever.
- 3. Wearing sanitary gloves, remove, drain and air dry the nozzle and diffuser.
- 4. Wearing sanitary gloves, replace diffuser and twist nozzle into place.
- 5. Draw drinks to flush the chlorine solution from the valves.

NOTE

Please note that a fresh water rinse cannot follow sanitization of equipment. Purge only with the end use product. *This is an NSF requirement.*

- 6. Taste the beverage to verify that there is no off taste.
- 7. Connect power and replace cover. Valve is ready for operation.

4. TROUBLESHOOTING

TROUBLE	CAUSE	REMEDY
4.1 Water leakage around nozzle.	A. Damaged or improperly installed o-ring above diffuser.	A. If damaged, replace. If improperly installed, adjust.
4.2 Leakage between upper and lower valve bodies.	A. Gap between upper and lower valve bodies. B. Worn or damaged paddle arm assemblies.	A. Tighten all six (6) retaining screws. B. Replace paddle arm assemblies.
4.3 Miscellaneous leakage.	A. Gap between parts. B. Damaged or improperly installed o-rings.	A. Tighten appropriate retaining screws. B. Replace or adjust appropriate o-rings.
4.4 Insufficient water flow.	A. Insufficient incoming supply water pressure. B. Shutoff on mounting block not fully open. C. Foreign debris in water flow control.	A. Verify incoming supply water pressure is a minimum of 25 PSI. B. Open shutoff fully. C. Remove water flow control from upper body and clean out any foreign material to ensure smooth free spool movement.
4.5 Insufficient syrup flow.	A. Insufficient CO ₂ pressure to BIB pumps. B. Shutoff on mounting block not fully open. C. Foreign debris in syrup flow control.	A. Adjust CO ₂ pressure to 80 PSI (minimum 70 PSI) for BIB pumps. B. Open shutoff fully. C. Remove syrup flow control from upper body and clean out any foreign material to ensure smooth free spool movement.
4.6 Erratic ratio.	A. Incoming water and/or syrup supply not at minimum flowing pressure. B. Foreign debris in water and/or syrup flow controls.	A. Check pressure and adjust. B. Remove syrup flow controls from upper body and remove any foreign material to ensure smooth free spool movement.
4.7 No product dispensed.	A. Water and syrup shutoffs on mounting block not fully open. B. The key switch on an electric valve is in the OFF position. C. Cup lever arm or ID panel actuator on electric valve is not actuating the switch. D. Electric current not reaching valve. E. Improper or inadequate water or syrup supply. F. Blown fuse on 24 volt transformer.	A. Open shutoffs fully. B. Turn key switch to ON position. C. Repair. D. Check electric current supplied to valve. If current is adequate, check solenoid coil and switch, and replace if necessary. E. Remove valve from mounting block and open shutoffs slightly and check water and syrup supply. If no supply, check dispenser for freeze-up or other problems. F. Find cause of short and correct. Then replace transformer.
4.8 Water only dispensed; no syrup; or syrup only dispensed; no water.	A. Water or syrup shutoff on mounting block not fully open.	A. Open shutoff fully.

(Section 4.8 continued on next page.)

TROUBLE	CAUSE	REMEDY
<i>(Section 4.8 continued from previous page.)</i>		
	B. Improper or inadequate water or syrup supply. C. Kinked line.	B. Remove valve from mounting block and open shutoffs slightly and check water and syrup supply. If no supply, check dispenser for problems. Ensure BIB connection is engaged. C. Remove kink or replace line.
4.9 Valve will not shut off.	A. Cup lever may be sticking or binding. B. Switch not actuating freely. C. Solenoid armature not returning to bottom position.	A. Correct or replace lever. B. Check switch for free actuation. C. Replace defective armature or spring.
4.10 Excessive foaming.	A. Incoming water or syrup temperature too high. B. Water flow rate too high. C. Nozzle and diffuser not properly installed. D. Nozzle and diffuser not clean. E. Air in BIB lines. F. Poor quality ice. G. High beverage temperature.	A. Correct prior to dispenser. Consider larger dispenser or pre-cooler. B. Readjust and reset ratio. Refer to Section 1.10. C. Remove and reinstall properly. D. Remove and clean. E. Bleed air from BIB lines. F. Check quality of ice used in drink. G. Check refrigeration system.
4.11 Compressor does not start (no hum), but condenser fan motor runs.	A. Compressor relay or overload malfunctioning. B. Inadequate voltage. C. Incorrect wiring. D. Compressor malfunctioning.	A. Replace compressor relay or overload. B. Measure voltage across common and run terminal on compressor. Voltage must not drop below 90% of rated voltage. C. Refer to wiring diagram and correct. D. Replace compressor.
4.12 Compressor starts and continues to run until freezeup and will not cut off.	A. Ice bank control failure. B. Incorrect wiring. C. Probe shorted.	A. Replace ice bank control. B. Refer to wiring diagram and correct. C. Check springs for foreign materials or damage.
4.13 Compressor does not start but hums.	A. Inadequate voltage. B. Incorrect wiring. C. Starting relay malfunctioning. D. Compressor malfunctioning.	A. Measure voltage across common and run terminal on compressor. Voltage must not drop below 90% of rated voltage. B. Refer to wiring diagram and correct. C. Replace starting relay. Be sure to use correct relay. Failure to use correct relay will cause compressor failure. D. Replace compressor.
4.14 Compressor starts but does not switch off start winding (will run for only a few seconds before internal overload switches compressor off).	A. Inadequate voltage. B. Incorrect wiring. C. Starting relay malfunctioning.	A. Measure voltage across common and run terminal on compressor. B. Refer to wiring diagram and correct. C. Replace starting relay. Be sure to use correct relay. Failure to use correct relay will cause compressor failure.
4.15 Compressor starts and runs a short time but shuts off on overload.	A. Dirty condenser. B. Insufficient or blocked air flow.	A. Clean the condenser. B. Remove all obstructions and allow for minimum clearances of eight (8) inches (20.3 cm) over top.

(Section 4.15 continued on next page.)

TROUBLE	CAUSE	REMEDY
<i>(Section 4.15 continued from previous page.)</i>		
	C. Inadequate voltage. D. Incorrect wiring. E. Defective condenser fan motor. F. Refrigerant leak. G. Compressor malfunctioning.	C. Measure voltage across common and run terminal on compressor. Voltage must not drop below 90% of rated voltage. D. Refer to wiring diagram and correct. E. Replace condenser fan motor. F. Repair and recharge. G. Replace compressor.
4.16 Compressor and Condenser Fan Motor will not start after five (5) minute Power Off delay (Lancer EIBC Export only).	A. Transformer tripped. B. Relay will not turn on compressor. C. Probe unplugged.	A. Reset transformer. B. Failed relay. Replace Control Board. C. Check probe connection at PCB.
4.17 Compressor and Condenser Fan Motor will not start after five (5) minute Power Off delay (Lancer EIBC, USA Only).	A. Improper Wiring. B. Probe unplugged. C. Damaged electronics.	A. Check Power Indicator Lamp; check wiring per Wiring Diagram. B. Check Probe connection at PCB. C. Replace Control.
4.18 Warm drinks.	A. Restricted airflow. B. Dispenser connected to hot water supply. C. Refrigeration system not running. D. Refrigerant leak. E. Condenser fan motor not working. F. Dirty condenser. G. Dispenser capacity exceeded.	A. Check clearances around sides, top, and inlet of unit. Remove objects blocking airflow through grill. B. Switch to cold water supply. C. Refer to Sections 4.11 - 4.16. D. Repair and recharge. E. Replace condenser fan motor. F. Clean condenser. G. Add pre-cooler.

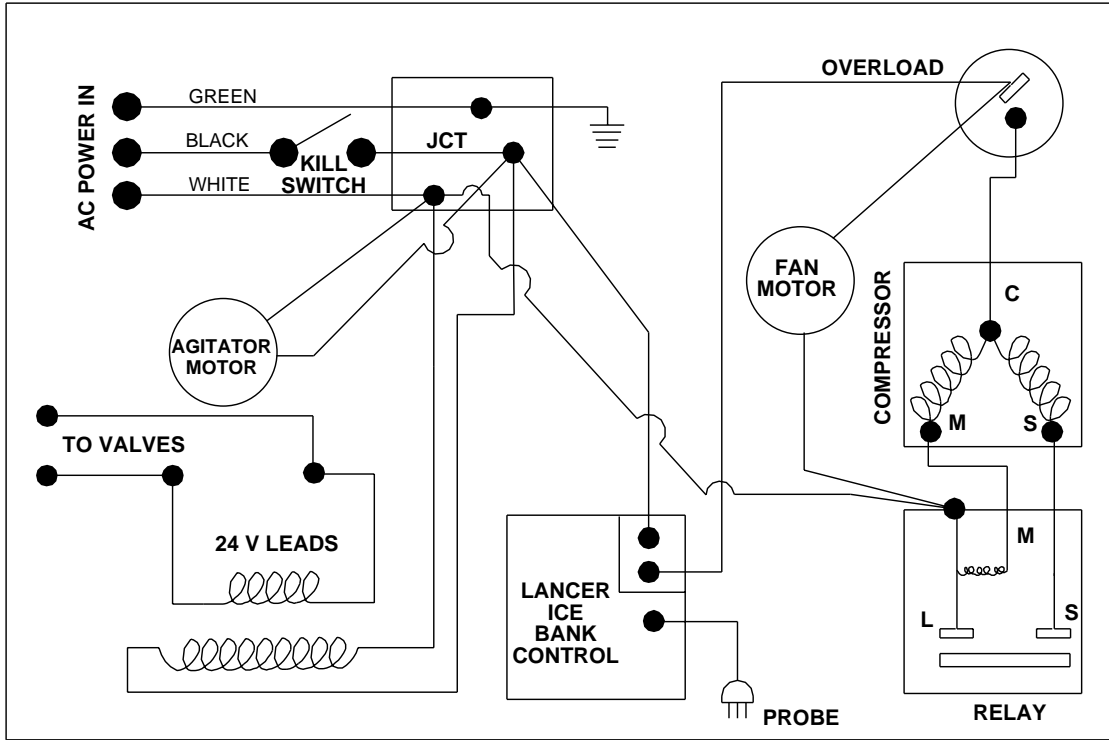
NOTES

5. ILLUSTRATIONS, PARTS LISTS, AND WIRING DIAGRAMS

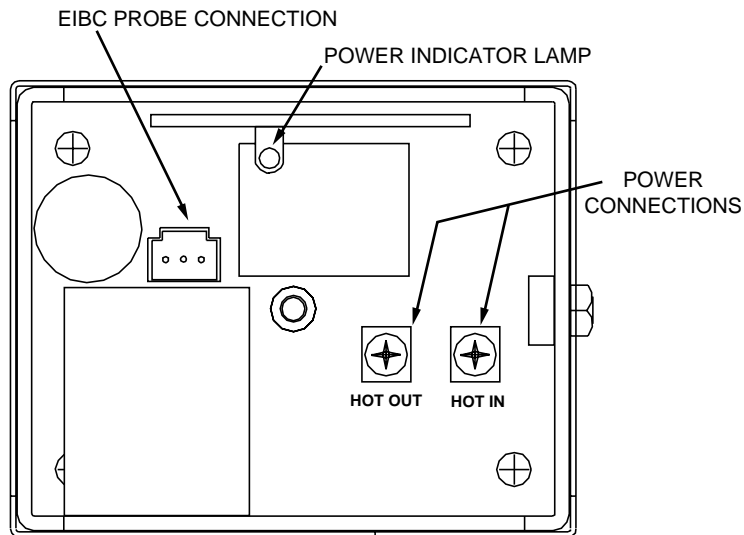
5.1 WIRING DIAGRAM AND CONTROL HOUSING CONNECTIONS, ELECTRONIC ICE BANK CONTROL, USA ONLY

IMPORTANT

WHEN STARTING UNIT OR IF CURRENT IS INTERRUPTED, THERE IS A FIVE (5) MINUTE DELAY BEFORE THE COMPRESSOR/FAN STARTS.

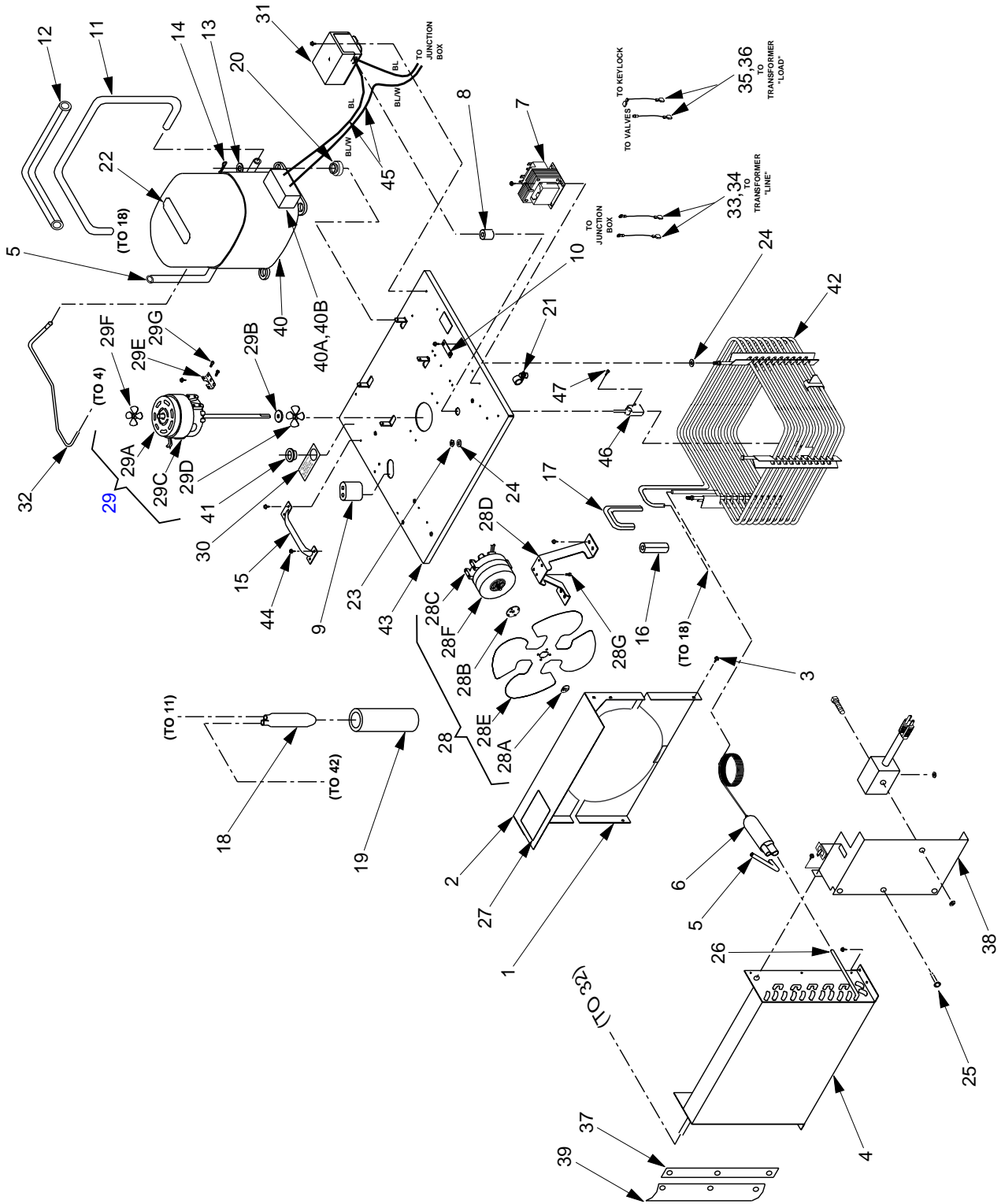


LABEL, WIRING DIAGRAM, CED, PN 06-1148/01



CONTROL HOUSING CONNECTIONS

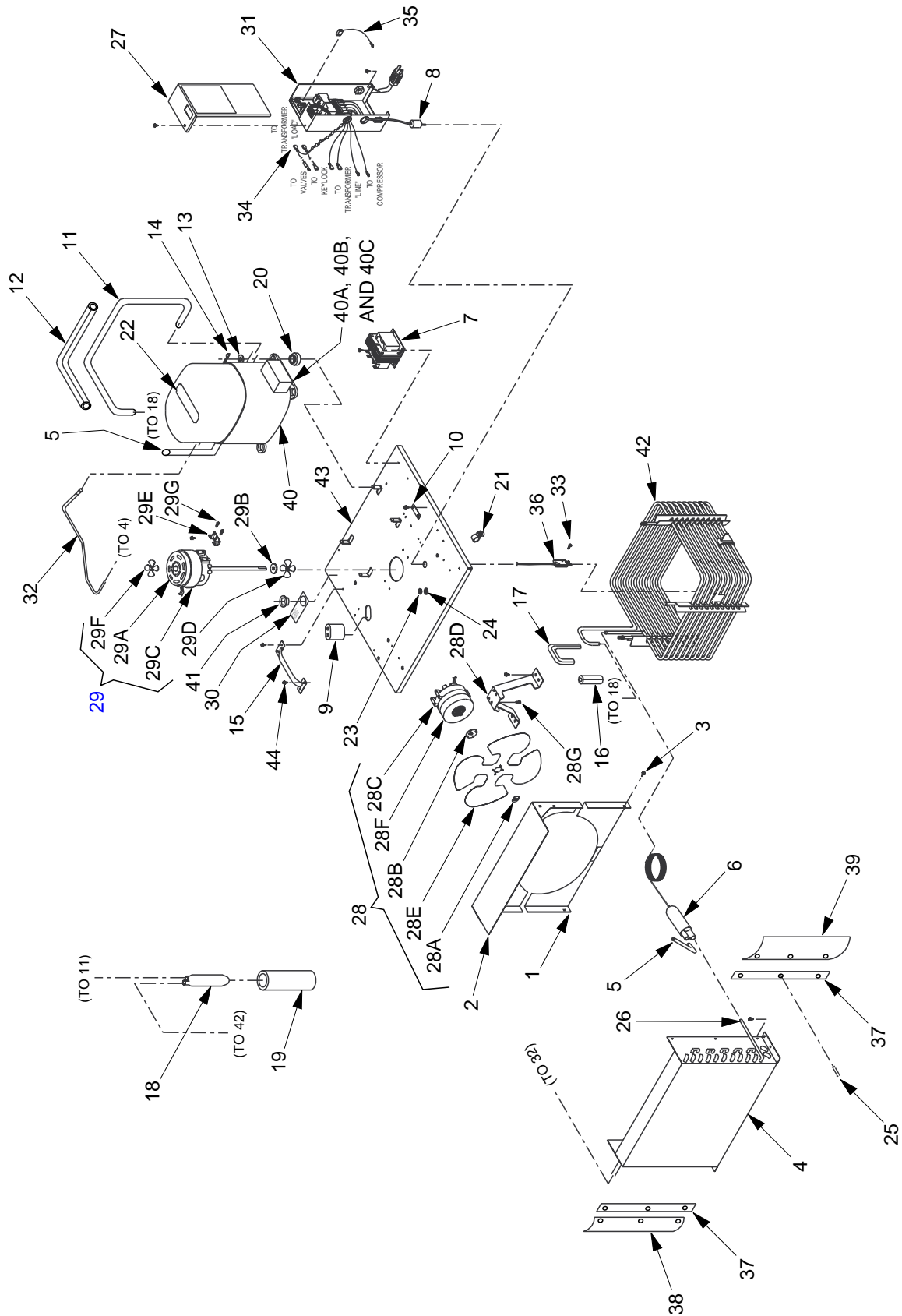
5.2 SERIES 1500 REFRIGERATION DECK ASSEMBLY, R-134A, WITH LANCER ELECTRONIC ICE BANK CONTROL (EIBC); PN 82-2667; USA ONLY



5.2 SERIES 1500 REFRIGERATION DECK ASSEMBLY, R-134A, WITH LANCER ELECTRONIC ICE BANK CONTROL (EIBC); PN 82-2667; USA ONLY (CONTINUED)

<u>ITEM</u>	<u>PART NO.</u>	<u>DESCRIPTION</u>	<u>ITEM</u>	<u>PART NO.</u>	<u>DESCRIPTION</u>
1	30-5107	Shroud, Fan, Bottom	38	82-1692/01	Air Shield Assy, Right
2	30-5106	Shroud, Fan, Top	39	50-0302	Baffle, Rubber, Right
3	04-0504	Screw, 8 - 18 x 0.375	40	83-0033	Compressor, 115V/60Hz, 1/3 HP
4	23-0985	Condenser	40A	12-0005	Relay
5	47-0344	Tube, Process	40B	12-0223	Overload
6	23-0982	Dryer/Cap Assy	--	-----	Refrigerant, R134A ONLY, 6.5 Ounces
7	25-0047	Transformer, 115V/50-60Hz	41	04-0538	Cap Plug
8	02-0041	Seal	42	23-1203/01	Evaporator Assy
9	02-0040	Seal, Extrusion	43	23-0993/02	Deck Assy
10	11-0118	Connector, Ground	44	04-0260	Screw, 10 - 16 x 0.625
11	47-1269/01	Tube, Suction	45	52-2004	Harness Assy, Ice Bank Control
12	50-0041	Insulation, 31.385	46	52-1897	Probe Assy, EIBC
13	04-0537	Washer, 0.467 ID x 0.923 OD x 0.060, THK	47	04-0394	Screw, 6 - 32 x 0.500, PHP, SS
14	03-0150	Retainer, Clip			
15	07-0268	Handle			
16	50-0029	Insulation, 2.500			
17	50-0026	Insulation, 8.125			
18	51-0061	Accumulator			
19	50-0028	Boot			
20	02-0114	Grommet			
21	03-0049	Clip, Cord			
22	06-0430	Label, 115V/60Hz, 1/3 HP			
23	04-0032	Nut, 1/4 - 20, ST, NYLOCK			
24	04-0063	Washer, Flat, 0.260 ID x 0.687 OD, SS			
25	04-0518	Rivet, 0.125 DIA x 0.328, LG			
26	47-1337	Tube, Outlet			
27	06-1148/01	Label, Wiring Diagram			
28	52-1369	Fan Motor Assy, 115V/60Hz, 9W			
28A	04-0060	Nut, Fan Blade			
28B	02-0413	Silencer, Fan Blade			
28C	91-0007	Motor, Fan, 115V/60Hz, 9W			
28D	30-5845	Bracket, Fan Motor			
28E	07-0354	Fan Blade			
28F	06-0433/01	Label, 115V/60Hz, 9W			
28G	04-0059	Screw, 8 - 36 x 0.375			
29	52-1259	Agitator Motor Assy, 115V/60Hz, 25W			
29A	91-0084	Motor, Agitator, 115V/60Hz, 25W			
29B	02-0032	Washer, Rubber, 1.0 Inch OD			
29C	06-0633	Label, 115V/60Hz, 25W			
29D	05-0502	Propeller, 2.250 DIA			
29E	30-5113/01	Bracket, Agitator Motor			
29F	05-0424/01	Propeller, 2.625 DIA			
29G	04-0059	Screw, 8 - 36 x 0.375			
30	06-0856/01	Label, Fill Hole			
31	52-1882	Electronic Ice Bank Control (EIBC)			
32	47-2025	Tube, High Side			
33	52-0879	Lead Assy, Primary, BLK			
34	52-0878	Lead Assy, Primary, BLK/WHT			
35	52-1505	Wire Assy, Trans, Sec, BLK			
36	52-1504	Wire Assy, Trans, Sec, WHT			
37	30-7007	Retainer Strip			

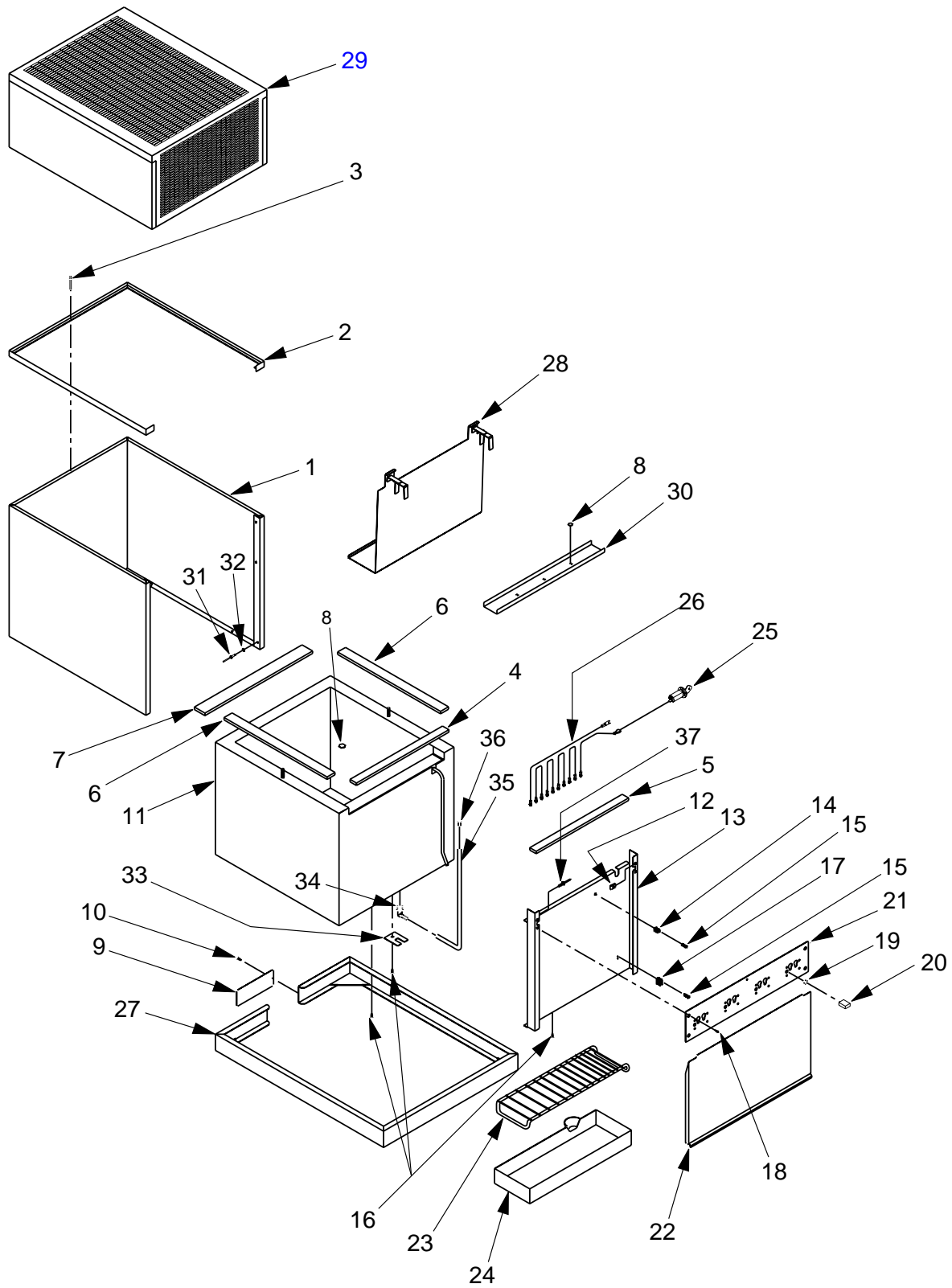
5.3 SERIES 1500 REFRIGERATION DECK ASSEMBLY, R-134A, WITH LANCER ELECTRONIC ICE BANK CONTROL (EIBC); PN 82-2050E, 115V/60HZ; PN 82-2099E, 230V/50HZ; PN 82-2048E, 240V/60HZ; EXPORT ONLY



5.3 SERIES 1500 REFRIGERATION DECK ASSEMBLY, R-134A, WITH LANCER ELECTRONIC ICE BANK CONTROL (EIBC); PN 82-2050E, 115V/60HZ; PN 82-2099E, 230V/50HZ; PN 82-2048E, 240V/60HZ; EXPORT ONLY (CONTINUED)

<u>ITEM</u>	<u>PART NO.</u>	<u>DESCRIPTION</u>	<u>ITEM</u>	<u>PART NO.</u>	<u>DESCRIPTION</u>
1	30-5107	Shroud, Fan, Bottom	30	06-0856/01	Label, Fill Hole
2	30-5106	Shroud, Fan, Top	31	52-2014	Electronic Ice Bank Control (EIBC)
3	04-0504	Screw, 8 - 18 x 0.375	32	47-2025	Tube, High Side
4	23-0985	Condenser	33	04-0394	Screw, 6 - 32 x 0.500
5	47-0344	Tube, Process	34	52-2008	Harness Assy, Trans, Sec
6	23-0982	Dryer Cap Assy	35	52-2027	Harness Assy, Ground
7	25-0048	Transformer, 220V/50-60Hz	36	52-1773	Probe Assy
-	25-0047	Transformer, 115V/50-60Hz	37	30-7007	Retainer Strip
8	02-0041	Seal	38	50-0302	Baffle, Rubber, Right
9	02-0040	Seal, Extrusion	39	50-0303	Baffle, Rubber, Left
10	11-0118	Connector, Ground	40	83-0038	Compressor, 240V/60Hz
11	47-1269/01	Tube, Suction	40A	12-0028	Relay
12	50-0041	Insulation, 31.385	40B	12-0253	Overload
13	04-0537	Washer, 0.467 ID x 0.923 OD x 0.060, THK	40C	12-0260	Start Capacitor
14	03-0150	Retainer, Clip	-	-----	Refrigerant, R-134A Only, 6.5 Ounces
15	07-0268	Handle	-	83-0034	Compressor, 230V/50Hz
16	50-0029	Insulation, 2.500	A	12-0031	Relay
17	50-0026	Insulation, 8.125	B	12-0032	Overload
18	51-0061	Accumulator	-	-----	Refrigerant, R-134A Only, 6.5 Ounces
19	50-0028	Boot	-	83-0033	Compressor, 115V/60Hz
20	02-0114	Grommet	A	12-0005	Relay
21	03-0049	Clip, Cord	B	12-0223	Overload
22	06-0666	Label, 240V/60Hz	-	-----	Refrigerant, R-134A Only, 6.5 Ounces
-	06-0460	Label, 230V/50Hz	41	04-0538	Cap Plug
-	06-0430	Label, 115V/60Hz	42	23-1203/01	Evaporator
23	04-0032	Nut, 1/4 - 20, ST, NYLOCK	43	23-0993/02	Deck Assy
24	04-0063	Washer, Flat, 0.260 ID x 0.687 OD, SS	44	04-0260	Screw, 10 - 16 x 0.625
25	04-0518	Rivet, 0.125 DIA x 0.328, LG			
26	47-1337	Tube, Outlet			
27	06-1532	Label, Wiring Diagram, EIBC			
28	52-1369	Fan Motor Assy, 115V/60Hz			
-	52-1378	Fan Motor Assy, 220-240V/50-60Hz			
28A	04-0060	Nut, Fan Blade			
28B	02-0413	Silencer, Fan Blade			
28C	91-0009	Motor, Fan, 220V/50-60Hz			
-	91-0007	Motor, Fan, 115V/60Hz			
28D	30-5845	Bracket, Fan Motor			
28E	07-0354	Fan Blade			
28F	06-0670	Label, 230V/50-60Hz			
-	06-0433/01	Label, 115V/60Hz			
28G	04-0059	Screw, 8 - 36 x 0.375			
29	52-1259	Agitator Motor Assy, 115V/60Hz			
-	52-1379	Agitator Motor Assy, 220-240V/50-60Hz			
29A	91-0086	Motor, Agitator, 220V/50-60Hz			
-	91-0084	Motor, Agitator, 115V/60Hz			
29B	02-0032	Washer, Rubber, 1.0 Inch OD			
29C	06-0634	Label, 230V/50Hz			
-	06-0633	Label, 115V/60Hz			
29D	05-0502	Propeller, 2.250 DIA			
29E	30-5113/01	Bracket, Agitator Motor			
29F	05-0424/01	Propeller, 2.625 DIA			
29G	04-0059	Screw, 8 - 36 x 0.375			

5.4 SERIES 1500 CABINET ASSEMBLY, HIGH PERFORMANCE



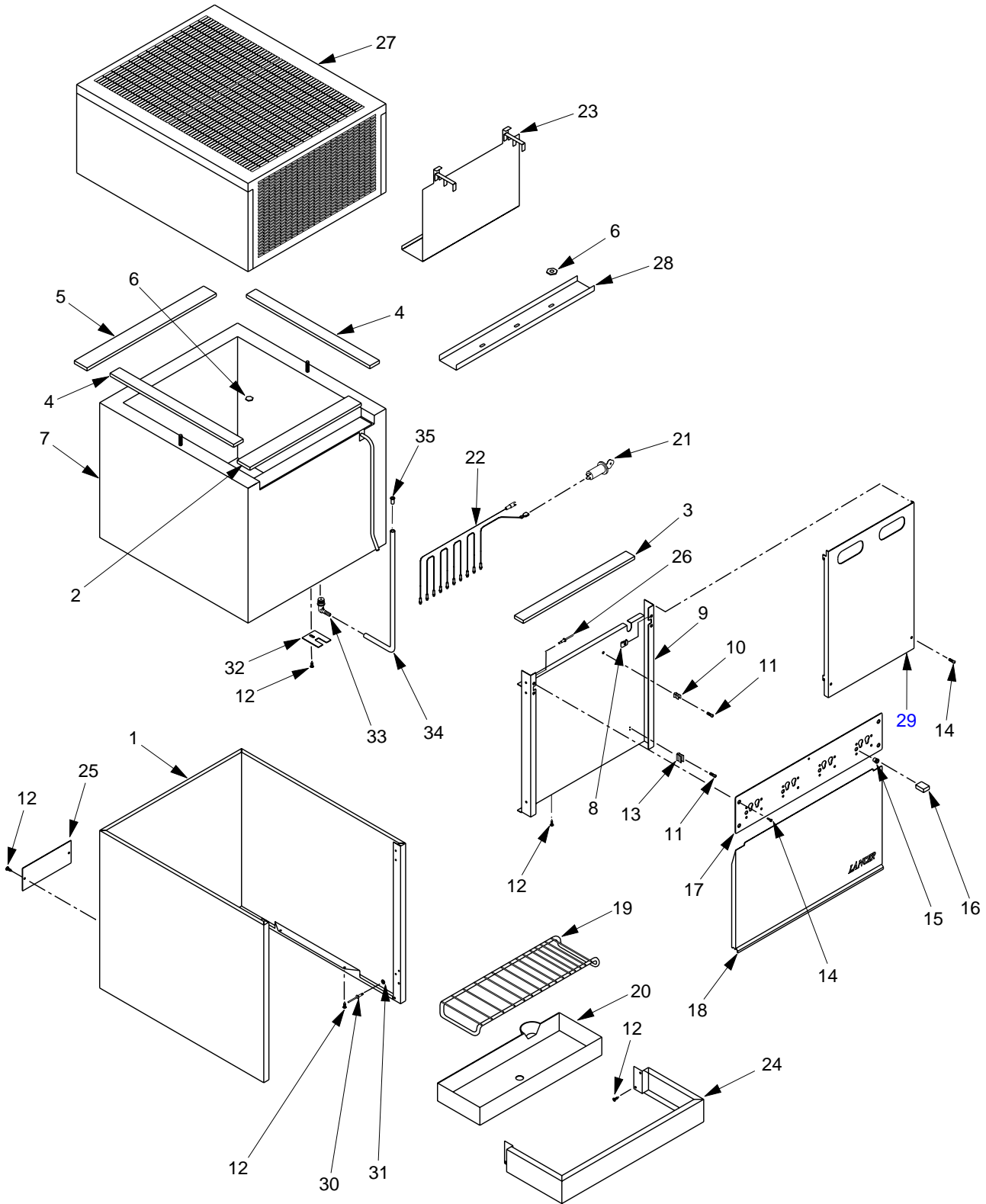
5.4 SERIES 1500 CABINET ASSEMBLY, HIGH PERFORMANCE (CONTINUED)

ITEM	PART NO.	DESCRIPTION
1	30-0636/02	Wrapper, External
2	51-0568	Trim, Gray
3	04-0067	Rivet
4	50-0173	Insulation, Tape, Front
5	50-0178	Insulation, Top
6	50-0214	Insulation, Tape, Sides
7	50-0118	Insulation, Tape, Back
8	04-0082	Nut, Hex, 10-24, SS
9	30-0612	Back, Plate
10	04-0477	Screw, 8 - 32 x 3/8 inch
11	42-0032	Tank, Foamed
-	42-0046	Tank, Foamed (Philippines)
12	04-0074	Nut, Clip, 10-24
13	30-0624/01	Front Support Plate
-	30-6055/01	Front Support Plate (Philippines)
14	03-0036	Clip, Over Flow
15	04-0077	Screw, #4 x 1/4 inch
16	04-0061	Screw, 8 x 1/2 inch
17	30-0115	Clip, Retaining Tube
18	04-0443	Screw, 10 - 24 x 3/8 inch
19	13-0005	Bushing
20	11-0015	Connector Housing
21	23-0389	Faucet Plate, 6V
-	23-0394	Faucet Plate, 5V
-	23-0771	Faucet Plate, 4V
22	30-6644	Splash Plate, without Logo
-	30-6644-01	Splash Plate, with Logo
23	23-0159	Cup Rest
24	54-0017	Drip Tray
25	12-0097	Key Lock Switch
26	52-0891	Harness Assy, 6V
-	52-0890	Harness Assy, 5V
-	52-0889	Harness Assy, 4V
27	51-0580	Base Assy
28	23-0831	Insulated Plate Assy
29	23-0824/01	Bonnet Assy, White
30	30-5854/01	Retainer Channel
31	04-0429	Rivet
32	04-0187	Spacer
33	30-5143	Clip, Drain
34	01-1483	Drain, Elbow Assy
35	08-0104	Drain, Tube
36	01-0450	Tube Support
37	04-0072	Rivet

NOTE: Cage Assembly Part Numbers are:

- 23-1047 4V, 4-0 Manifold, 3/8 inch Syrup Inlets
- 23-1064 5V, 2-2-1 Manifold, 3/8 inch Syrup Inlets - High Performance
- 23-1201/02 6V, 3-2-1 Manifold, 3/8 inch Syrup Inlets - High Performance

5.5 SERIES 1500E AND 1500 PREMIX CABINET ASSEMBLY



5.5 SERIES 1500E AND 1500 PREMIX CABINET ASSEMBLY (CONTINUED)

ITEM	PART NO.	DESCRIPTION	NOTE: Cage Assembly Part Numbers are:	
1	51-0744/01	Wrapper, External	-	23-0777 5V, Premix
2	50-0173	Insulation, Tape, Front	-	23-0778 6V, Premix
3	50-0178	Insulation, Top	-	23-1139 5V, 2-2-1 Manifold, 3/8 Inch Syrup
4	50-0214	Insulation, Tape, Sides		Inlets, E-Model
5	50-0118	Insulation, Tape, Back	-	23-1140 6V, 3-2-1 Manifold, 3/8 Inch Syrup
6	04-0082	Nut, Hex, 10 - 24, SS		Inlets, E-Model
7	42-0032	Tank, Foamed	-	48-1407 5V, Ambient Juice
8	04-0074	Nut, Clip 10 - 24	-	48-1408 6V, Ambient Juice
9	30-0624/01	Front Support Plate	-	23-0760 9 Circuit Chiller
10	03-0036	Clip, Over Flow	-	23-0910 4 Circuit Chiller
11	04-0077	Screw, #4 x 1/4 inch		
12	04-0061	Screw, #8 x 1/2 inch		
13	30-0115	Clip, Retaining Tube		
14	04-0443	Screw, 10 - 24 x 3/8 inch		
15	13-0005	Bushing		
16	11-0015	Connector Housing		
17	23-0389	Faucet Plate, 6V		
-	23-0394	Faucet Plate, 5V		
-	23-0771	Faucet Plate, 4V		
-	07-0467	Faucet Plate, Premix, 5V		
-	07-0468	Faucet Plate, Premix, 6V		
18	30-6644	Splash Plate, without Logo		
-	30-6644-01	Splash Plate, with Logo		
19	23-0159	Cup Rest		
20	54-0017	Drip Tray		
21	12-0097	Key Lock Switch		
22	52-0891	Harness Assy, 6V		
-	52-0890	Harness Assy, 5V		
-	52-0889	Harness Assy, 4V		
23	23-0831	Insulator Plate Assy		
24	30-5310	Base, Drip Tray		
25	07-0347	Plate, Cover		
26	04-0072	Rivet		
27	23-0824/01	Bonnet Assy, White		
28	30-5854/01	Retainer Channel		
29	30-5535	Front Plate (Chiller Only)		
30	04-0429	Rivet		
31	04-0187	Spacer		
32	30-5143	Clip, Drain		
33	01-1483	Drain, Elbow Assy		
34	08-0104	Drain, Tube		
35	01-0450	Tube Support		

NOTES

LANCER[®]

Please refer to the Lancer web site (www.lancercorp.com) for information relating to Lancer Installation and Service Manuals, Instruction Sheets, Technical Bulletins, Service Bulletins, etc.