

# PURR-FECT HEIGHT SERIES ELECTRIC CONVECTION OVEN

## OWNER'S MANUAL

### MODELS:

2600PHE

2692PHE



**COVERING:**  
INSTALLATION  
OPERATION  
SERVICE & PARTS



Form Number: S-6032

01/06

Printed in U.S.A.



35 Garvey Street • Everett • MA • 02149  
Tel: (617) 387-4100 • Fax: (617) 387-4456 • Outside MA Fax: (800) 227-2659  
E-Mail: [CUSTSERV@mfii.com](mailto:CUSTSERV@mfii.com) • Website: [www.mfii.com](http://www.mfii.com)

# TABLE OF CONTENTS

Your Energy Efficient Convection Oven .....	i
How the Oven Operates .....	i
Operating Controls and Indicators .....	i
Operating Instructions .....	1
Cleaning/Preventive Maintenance .....	2
Trouble-Shooting Guide .....	2-3
Illustrated Parts List .....	4-8
Appendix .....	9-11

## YOUR ENERGY EFFICIENT CONVECTION OVEN

The Purr-fect Height Convection Oven is electrically powered, high capacity ovens featuring high energy efficiency. These ovens are designed to radically cut power consumption, delivering the cooking power of a 16 KW oven from only 11 KW's of energy input. Improvement of energy use is made possible by a carefully designed insulating system which keeps heat inside the oven longer.

A convector fan distributes heat uniformly through-

out the oven interior, for fast even roasting and baking.

Like all Market Forge products, our ovens are built to the highest standards of workmanship, employing only the finest materials and components. Of course, Power Saver II ovens are fully approved by UL, UL Sanitation, and other official testing authorities.

## HOW THE OVEN OPERATES

The Purr-fect Height Convection Oven operates by use of two simple controls—a power switch for turning on the fan motor and control circuit, and a thermostat for setting the oven temperature. The oven is otherwise automatic. A thermostat maintains oven temperature by cycling heating elements on and off, with temperature fluctuating no more than 20°F from the setting. Uniform distribution of heat within the oven is assured by continuous operation of a convector fan.

A 60-minute and Constant Heat timer serves as an aid in using the oven, when the timer expires the heating elements shut off. To prevent unnecessary loss of heat when the doors are opened, a interlock switch stops fan operation whenever the right-side door is opened. Should the operator wish to cool the oven, opening just the left-side door will quickly ventilate the oven interior.

# OPERATING CONTROLS & INDICATORS

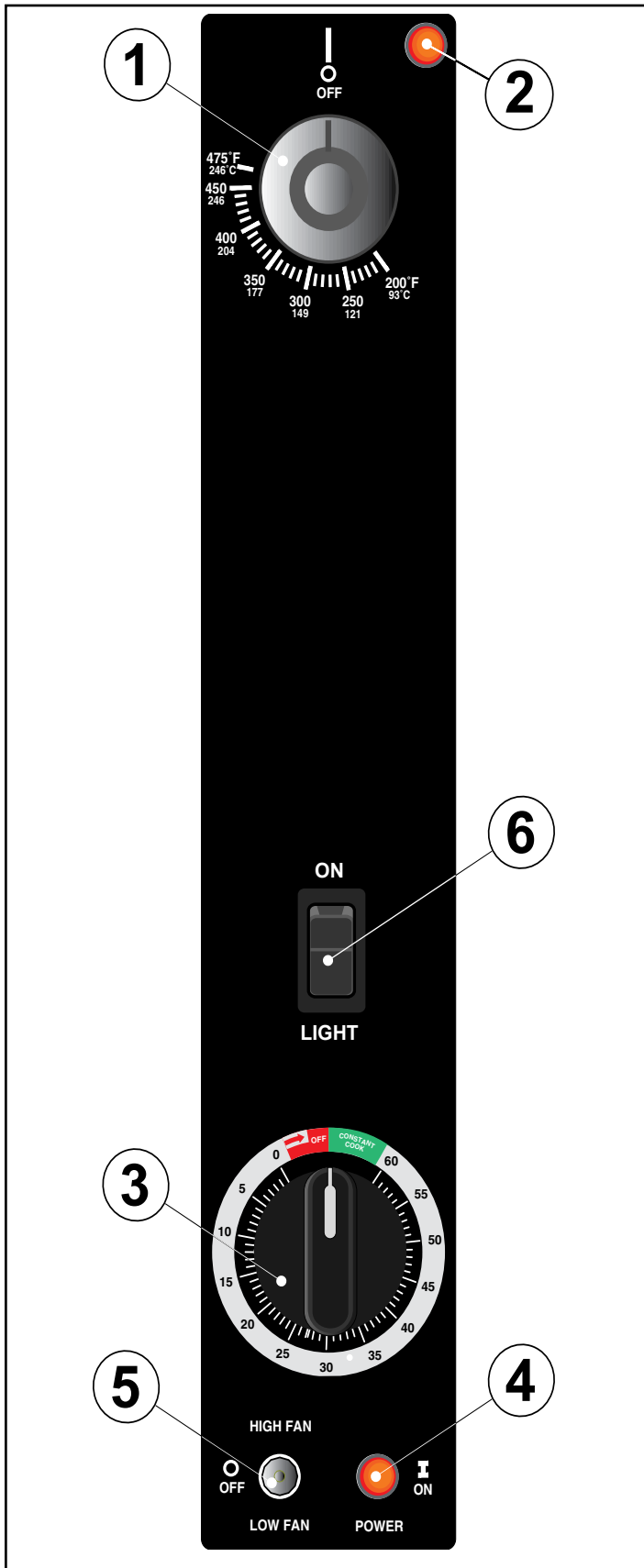


FIG. 1 Operating Controls & Indicators

The controls required to operate the oven are listed in the following table, together with a short functional description of each. The physical location of each control is shown in FIG.1.

ITEM	DESCRIPTION	FUNCTION
1	Thermostat Control	Regulates oven temperature. controls heating element operation.
2	Thermostat Light	Indicates when the thermostat is calling for heat and the elements are ON.
3	Timer/Constant Heat	Electrical timer to aid in time cooking cycles. Controls oven and constant heat mode.
4	Power Light	Indicates power is ON.
5	Fan Switch	Three position fan switch. Controls fan speed either HIGH/ LOW or in the middle position the oven is OFF.
6	Light	Momentary Switch

1. Check that power is available to the oven
2. Arrange shelf positions according to the item to be cooked.
3. Close doors. Move fan switch to HIGH or LOW. Fan should come on.
4. Set thermostat dial to desired cooking temperature. Element indicator light should come on
5. Allow oven to preheat for about 5-10 minutes. Preheating is complete when indicator light goes out and the buzzer sounds. Do not waste energy by turning the oven on too early.
6. Load oven. The load should be adjacent to the oven, so the doors will be open as short a time as possible.
7. Close doors. Set timer for desired cooking time.
8. Buzzer will sound at end of preset interval. Oven is ready to unload.
9. If oven temperature is to be lowered, set the thermostat to the desired temperature to cool interior. Fan will continue to run with left door open and right door closed. Where indicator light comes on, oven is at lower temperature. Close left door. When light goes off, oven is ready for use.
10. For daily shutdown, place oven thermostat and power switch in OFF position. For extended shut- down, leave doors ajar as well.

# CLEANING/PREVENTIVE MAINTENANCE

A good preventive maintenance program in the form of daily cleaning procedures is outlined in the following steps:

1. Remove oven shelves and wash in mild detergent and water. Rinse and dry.
2. Remove left and right hand shelf supports by lifting up and out toward center of oven. Wash, rinse and dry.
3. Remove fan baffle by lifting up and out. Wash, rinse and dry.
4. Wash interior sides, bottom, and top with mild detergent and water. A stainless steel cleaner (not polish) should be used for the interior. Rinse and dry.
5. Replace fan baffle, shelf supports and shelves.
6. Wash both sides of doors, top & bottom trim using a stainless steel cleaner. Rinse and dry.

# TROUBLE-SHOOTING GUIDE

<b>PROBLEM Probable Cause</b>	<b>REMEDY</b>
<b>CONVECTOR FAN FAILS TO OPERATE.</b>	
a. Power to oven is off.	Locates external circuit breaker for power and place in ON position.
b. Power switch off.	Place in ON position.
c. Right oven door open.	Close Door.
d. Control circuit breaker off.	Place in ON position.
e. Faulty circuit breaker, door interlock switch, fan motor, or wiring.	Refer to wiring diagram or obtain outside service.
<b>INDICATOR LIGHT FAILS TO LIGHT WITH FAN OPERATING, THERMOSTAT SET.</b>	
a. Indicator light burned out.	Replace light. See service and parts manual for procedure.
b. Electrical failure.	Refer to wiring diagram or obtain outside service.
<b>FAN OPERATION - NO HEAT.</b>	
a. Thermostat not set.	Set thermostat.
b. Faulty contactor, wiring, electrical failure.	Refer to wiring diagram or obtain outside service.
<b>LIGHT INSIDE COOKING COMPARTMENT</b>	
a. Light fails to turn on.	Replace bulb.

# TROUBLE-SHOOTING GUIDE

VOLTS 60 HZ	PHASE	AMPS PER LINE WIRE			KW
		L1	L2	L3	
208	1 $\phi$	52.8	52.8	—	11
240	3 $\phi$	30.5	30.5	30.5	11
240	1 $\phi$	45.8	45.8	—	11
240	3 $\phi$	26.5	26.5	26.5	11
480	1 $\phi$	N/A	N/A	—	11
480	3 $\phi$	13.2	13.2	13.2	11

HEATING ELEMENTS RATED 11 K.W. 3 PH.

(480V)	98-1737
(240V)	98-3638
(208V)	98-3635

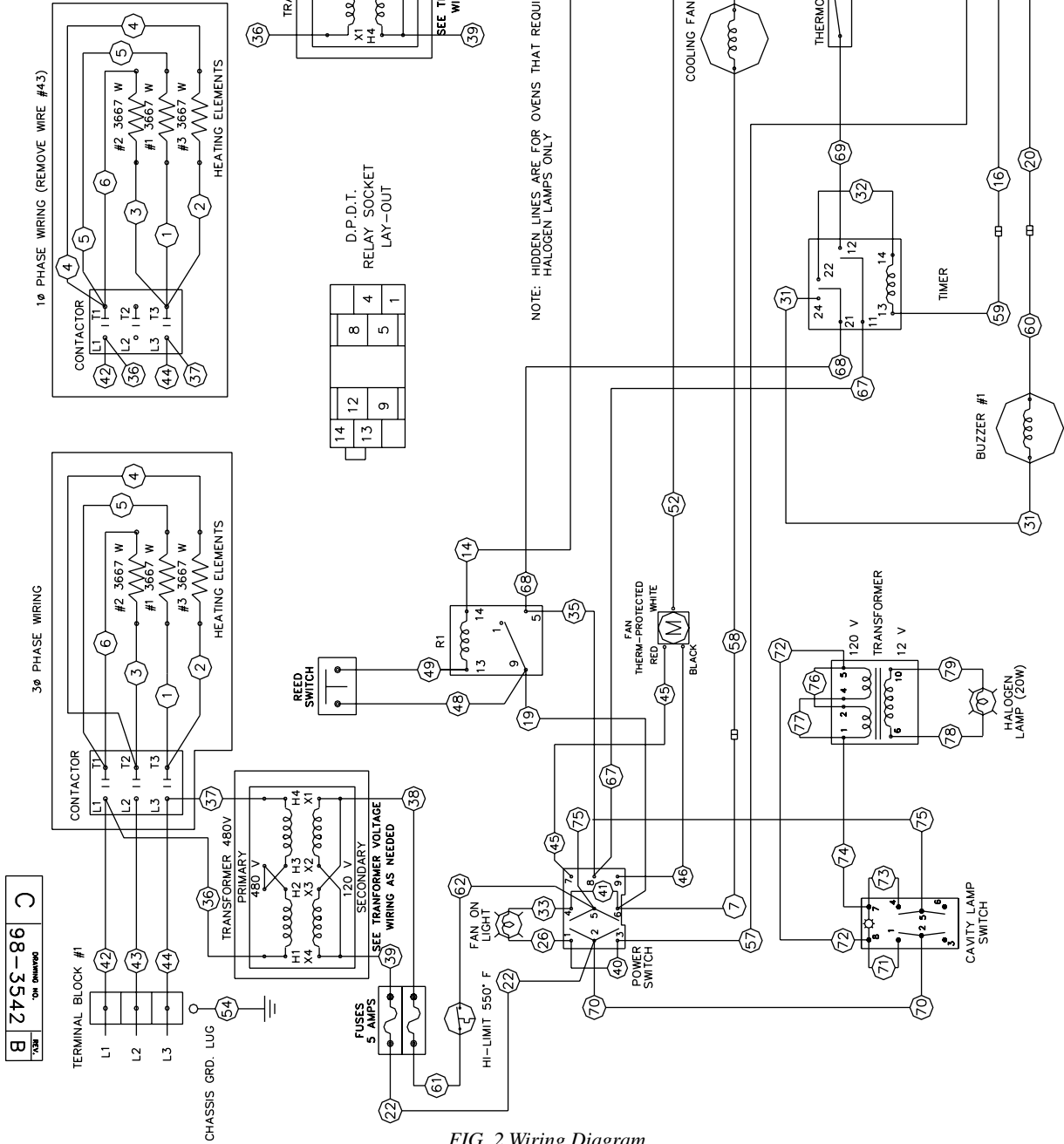


FIG. 2 Wiring Diagram

# ILLUSTRATED PARTS LIST

<b>RECOMMENDED SPARE PARTS LIST (P/N 98-3623)</b>		
<b>PART NO.</b>	<b>DESCRIPTION</b>	<b>QTY.</b>
10-7371	Power Switch	1
10-5052	Light, Fan Power	1
10-5052	Light, Heating Element	1
08-6308	Reed Switch	1
08-6472	Relay, 120V	1
08-6475	Relay, Socket	1
10-4714	Thermostat, 475°F	1
09-5259	Thermostat, Knob	1
08-6464	Timer	1
08-3826	Timer, Knob	1
10-5944	Contactactor	1
09-7248	Motor, 2 Speed	1
08-6351	Hi-Limit, Thermostat	1
08-6468	Fuse, 5Amp	2
09-6475	Transformer, 500VA	1
10-7395	Buzzer, 120 Volt	1
08-7978	Fan, Cooling	1
98-1717	Element, Heating	1
08-6469	Fuse, Holder	1

# ILLUSTRATED PARTS LIST

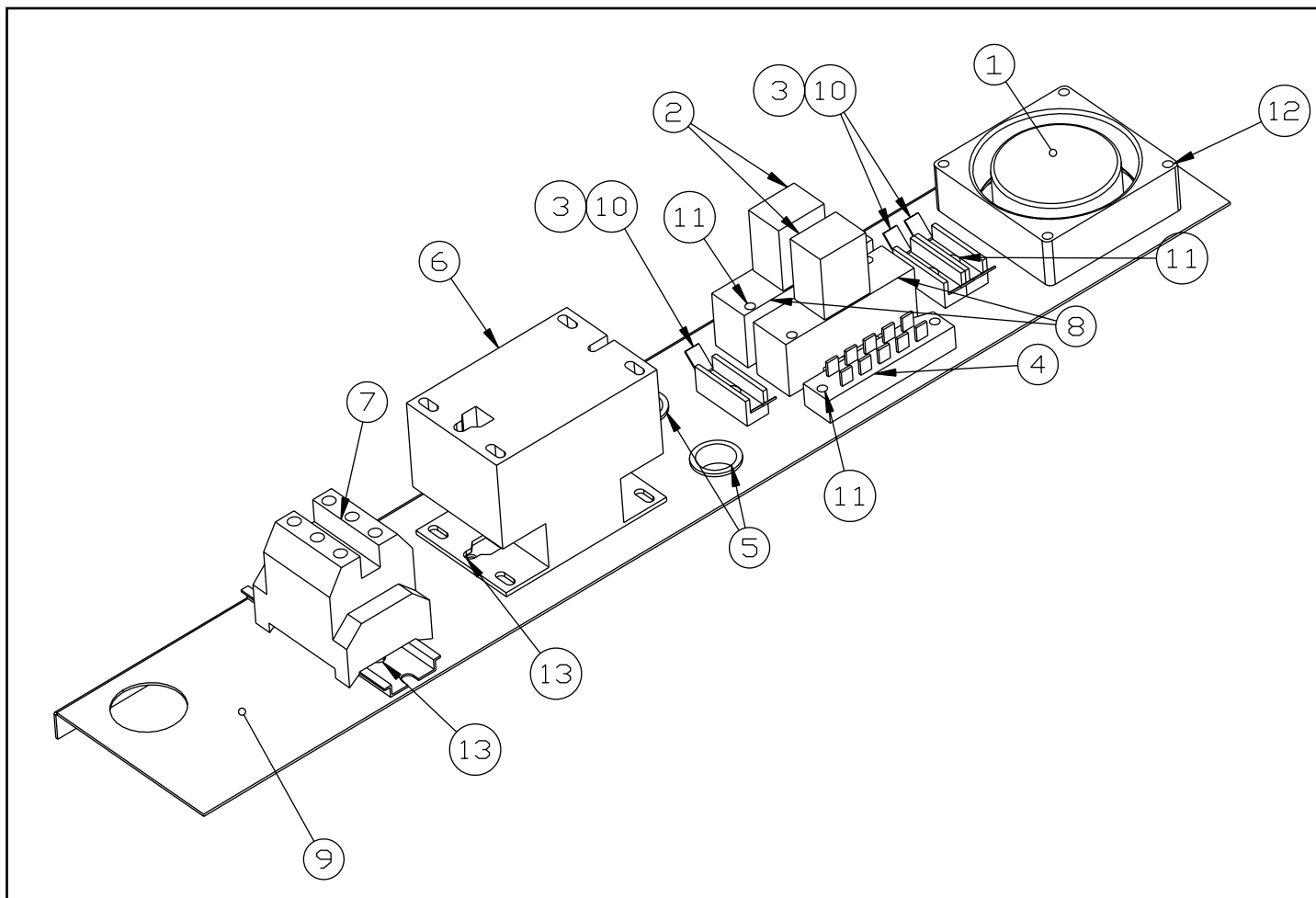
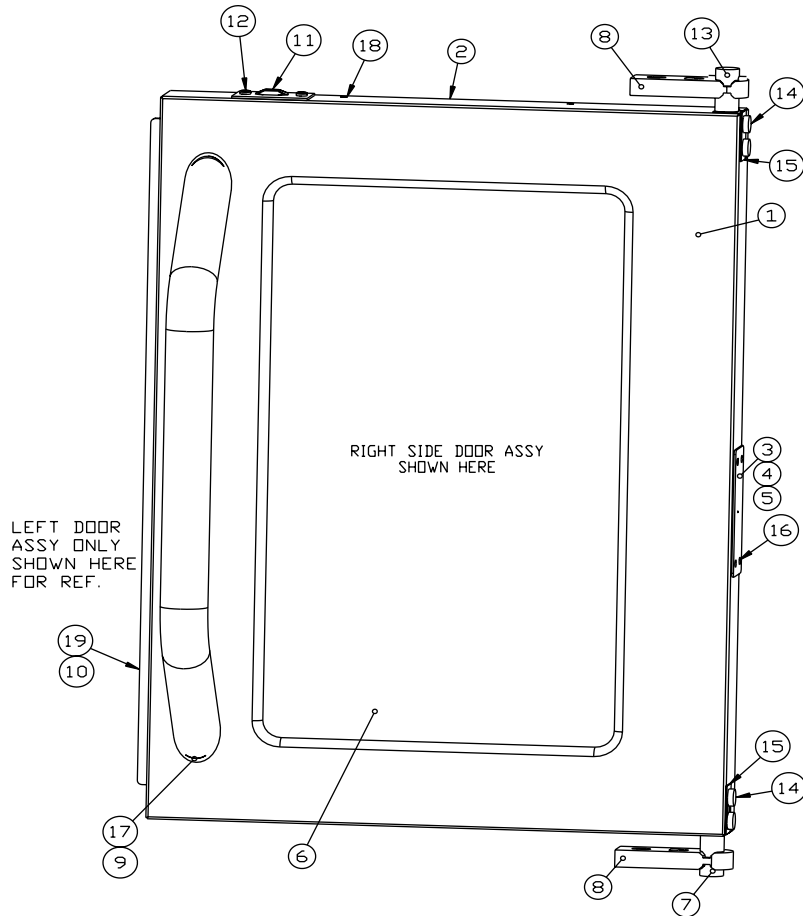


FIG. 3 Electric Control Panel with Probe Option

ITEM NO.	PART NO.	DESCRIPTION
1	08-7978	Fan, Cooling
2	08-6472	Relay, 120 Volts
3	08-6469	Fuse, Holder
4	08-6552	Terminal Strip
5	09-6575	Plug, Hole
6	10-5944	Contactor
7	98-1720	Terminal Block
8	08-6475	Base, Relay
9	98-3562	Panel, Electric Controls
10	08-6468	Fuse, 5 Amps
11	10-1720	Screw, #6-32 Thread x 1/2" Long, Stainless Steel
12	08-7993	Screw, #6-32 Thread x 1 1/2" Long, Stainless Steel
13	10-1761	Screw, #8-32 Thread x 3/8" Long, Stainless Steel

# ILLUSTRATED PARTS LIST



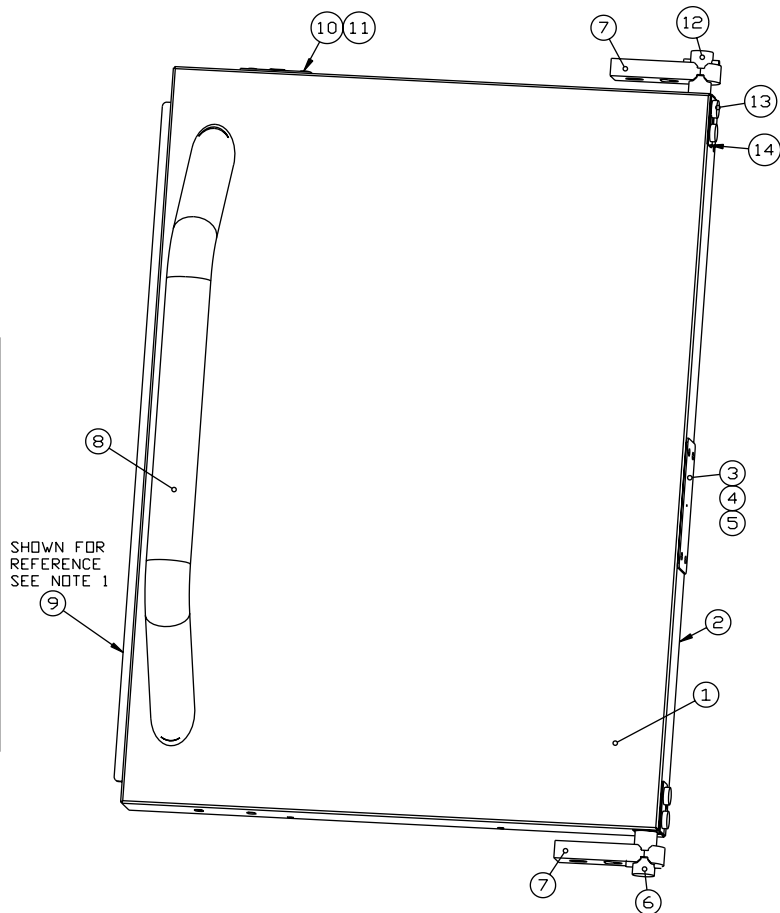
ITEM #	PART #	DESCRIPTION
1	98-3683	WELD ASSY, OUTER DOOR, 2600PHE
2	98-3652	DOOR, INNER WITH WINDOW
3	98-3672	BRACKET, MAGNET MOUNTING
4	98-3671	COVER, MOUNTING PLATE, REED SWITCH
5	08-5027	MAGNET, REED SWITCH
6	09-1154	ASSY, GLASS WINDOW
7	99-5602	PIN, DOOR BOTTOM, NO PIN
8	98-3552	BEARING, BLOCK, DOOR, BRASS
9	93-0135	HANDLE, DOOR, S.S.
10	98-3669	DOOR STOP, LEFT SIDE
11	99-5950	EMBOSSED DOOR LATCH
12	10-1737	SCREW, #6-32 ,S.S., 1/2" LG
13	98-3551	PIN, DOOR TOP, WITH DOWEL PIN
14	09-3427	HEX HEAD BOLT, 1/4-20 THD
15	99-6154	SUPPORT, BRACKET PIN SUPPORT
16	10-1761	SCREW, #8-32, S.S., 3/8" LONG
17	98-3680	PLATE, HANDLE SUPPORT, DOOR
18	10-2928	PDP RIVET
19	10-2045	SCREW, #10-32 HEX HEAD 5/8", S.S.

FIG. 4 Glass Door Assembly

NOTES: 1. ASSEMBLY ON LEFT DOOR ONLY P/N 98-3688

ITEM #	PART #	DESCRIPTION
1	98-3684	OUTER DOOR, SOLID, 2600PHE
2	98-3686	WELD ASSY, DOOR, INNER, SOLID, 2600PHE
3	98-3672	BRACKET, MAGNET MOUNTING
4	98-3671	COVER, MOUNTING PLATE, REED SWITCH
5	08-5027	MAGNET, REED SWITCH
6	99-5602	PIN, DOOR BOTTOM, NO PIN
7	98-3552	BEARING, BLOCK, DOOR, BRASS
8	93-0135	HANDLE, DOOR, S.S.
9	98-3669	DOOR STOP, LEFT SIDE
10	99-5950	EMBOSSED DOOR LATCH
11	10-1737	SCREW, #6-32 ,S.S., 1/2" LG
12	98-3551	PIN, DOOR TOP, WITH DOWEL PIN
13	09-3427	HEX HEAD BOLT, 1/4-20 THD
14	99-6154	SUPPRT, BRACKET PIN SUPPORT
15	10-1761	SCREW, #8-32, S.S., 3/8" LONG
16	98-3680	PLATE, HANDLE SUPPORT, DOOR
17	10-2948	PDP RIVET
18	10-2045	SCREW, #10-32 HEX HEAD 5/8", S.S.

FIG. 5 Solid Door Assembly





# ILLUSTRATED PARTS LIST

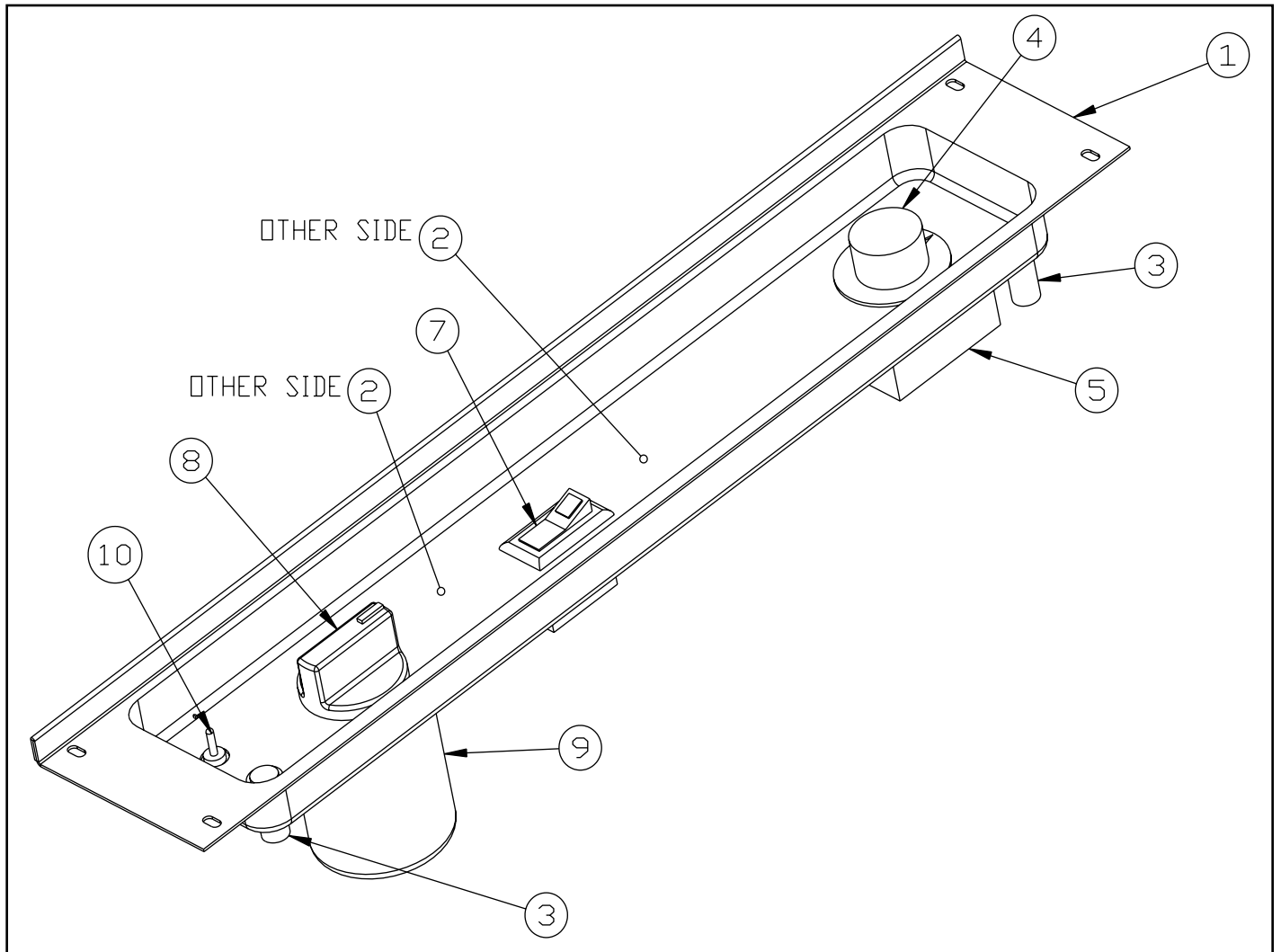


FIG. 6 Control Panel

ITEM NO.	PART NO.	FIG. 5 DESCRIPTION
1	98-1717	Control Panel, Embossed
2	10-7395	Buzzer
3	10-5052	Light, Power & Fan
4	09-5259	Knob, Thermostat
5	10-4717	Thermostat
7	08-6597	Switch, Mode
8	08-3826	Knob, Timer
9	08-6464	Timer
10	10-7371	Switch, Power

# ILLUSTRATED PARTS LIST

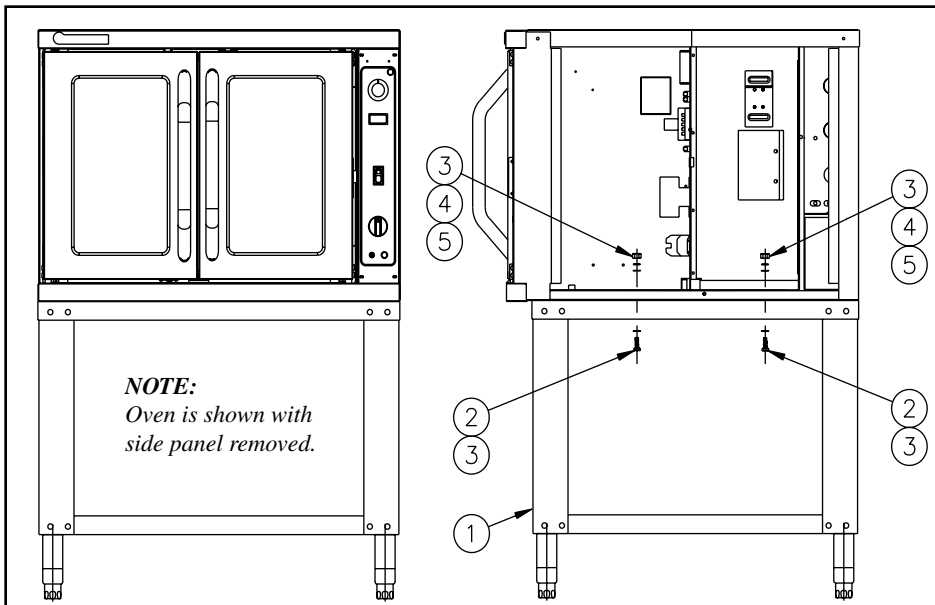


FIG. 7 2600PHE Mounting Assembly

## 2600PHE Mounting Instructions:

1. Assemble stand (#1) per instructions provided with stand.
2. Remove the side panels from oven.
3. Set the oven in place on top of the stand. Align the holes in the bottom of the oven with the slotted holes in the stand.
4. Fasten the oven to the stand with four (#2) screws, eight (#3) washers, four (#4) lock washers and four (#5) nuts, as shown in figure 7.
5. Replace the side panels to the oven.

ITEM	PART NO.	DESCRIPTION	QTY.
1	99-4480	Open Stand with Shelf	REF.
2	10-2002	Hex Hd. Cap Screw 3/8-16 x 1-1/4 Lg.	4
3	10-2401	Plain Washer 3/8"	8
4	10-2503	Lock Washer 3/8"	4
5	10-2302	Hex Nut 3/8-16	4

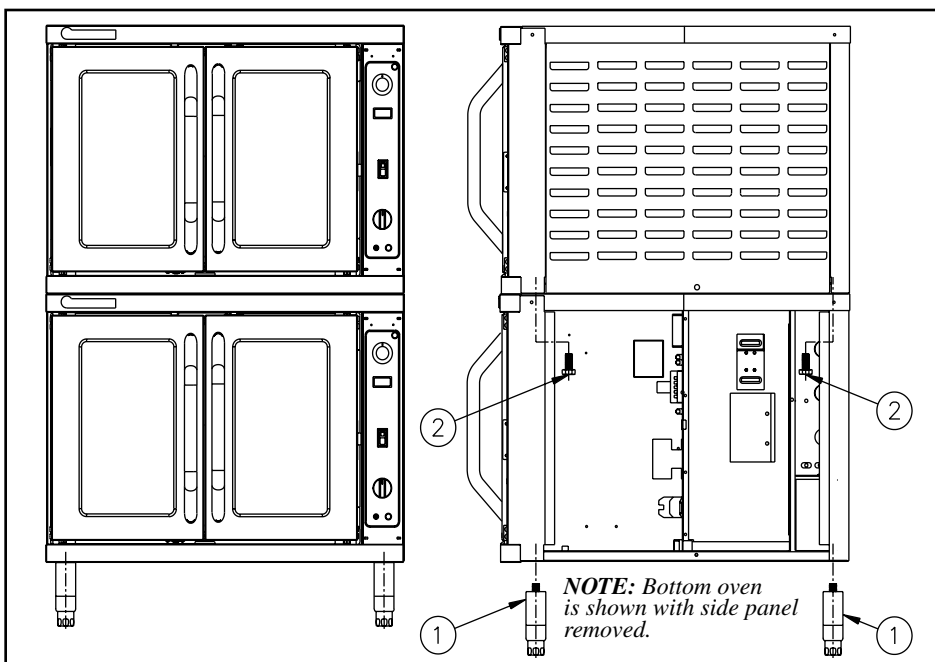


FIG. 8 2692PHE Mounting Assembly

## 2692PHE Mounting Instructions:

1. Attach four (#1) feet to bottom of the oven. Remove both side panels and remove knock-outs in the top panels from the bottom oven.
2. Set top oven in place on the bottom oven. Align the holes in the top of the bottom oven with the weld nuts in the bottom of the top oven.
3. Fasten the two ovens together with the four (#2) screws as shown.
4. Replace the side panels to bottom oven.

ITEM	PART NO.	DESCRIPTION	QTY.
1	10-0631	6" Adjustable Leg	4
2	10-2564	Hex Hd. Cap Screw 3/4-10 x 1-1/2 Lg.	4

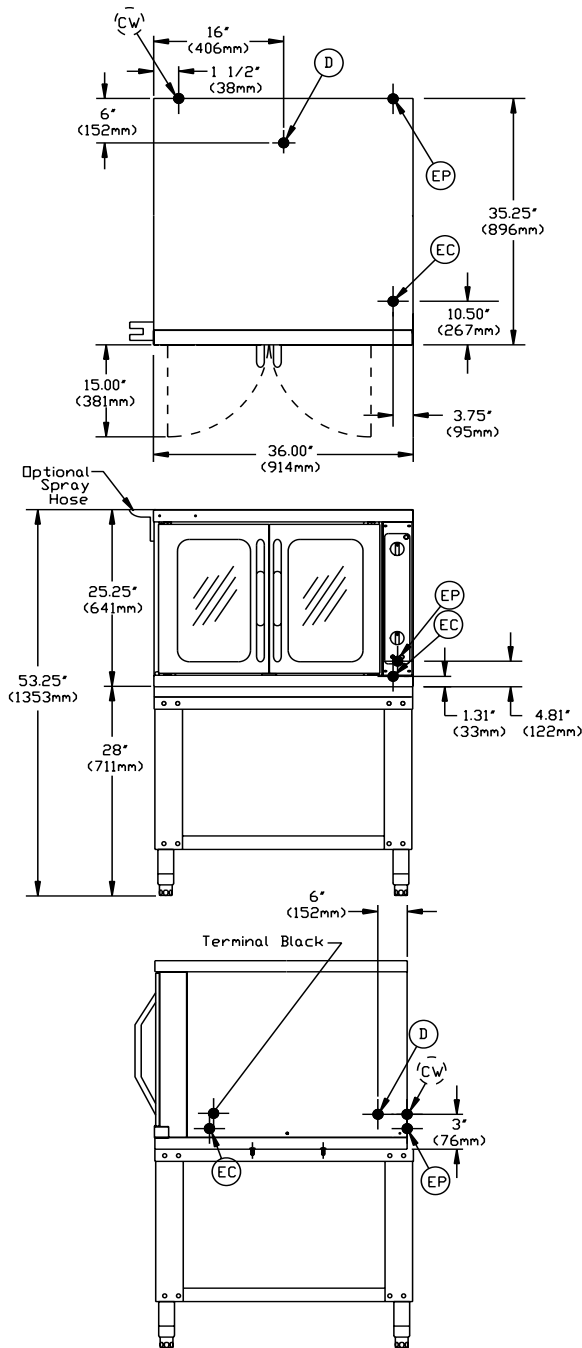
# APPENDIX

## SERVICE CONNECTIONS - Electrically Operated

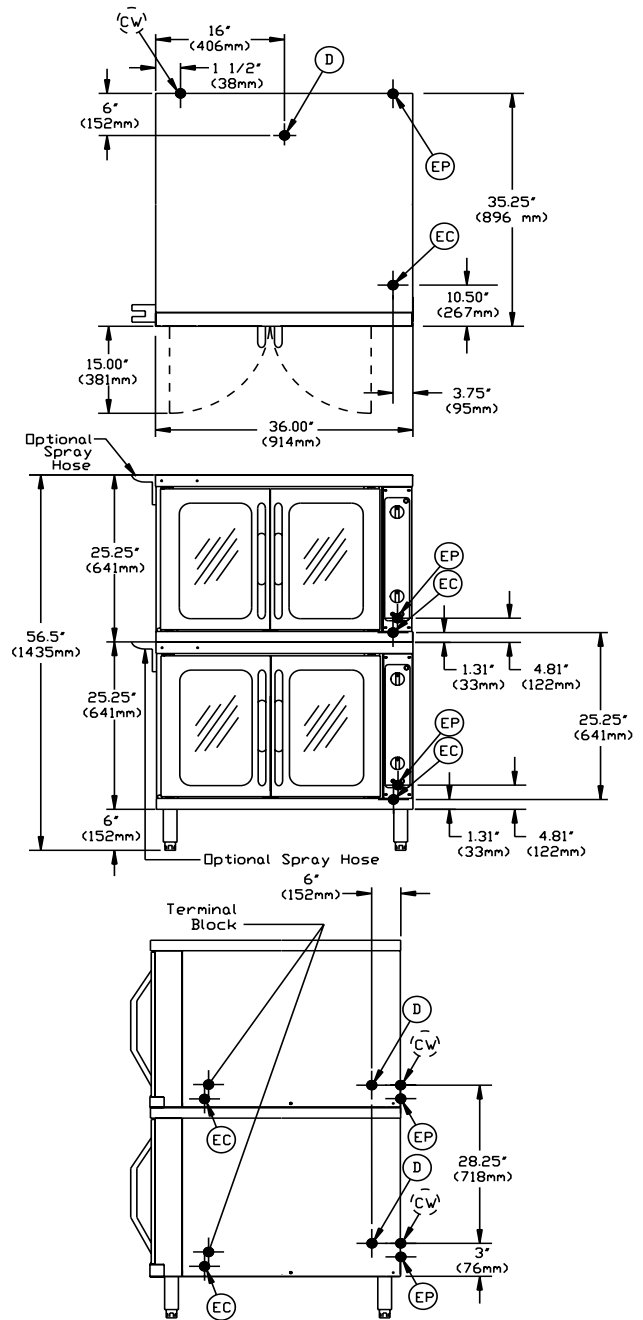
- EC Electrical Connection - Connection for incoming power supply wire on terminal block.
  - EP Power supply - 1 3/8 (44mm) E access holes for power supply wires. Use wire suitable for at least 90°C. Nominal amp per line wire per oven: 11 kW
- | VOLTS | 1pH | 3pH |
|-------|-----|-----|
| 208V  | 53  | 31  |
| 240V  | 46  | 27  |
| 480V  | --- | 15  |

- D Interior Drain Connection - 3/4" E (19mm) NPT to open floor drain.
- CW Cold Water Connection for optional spray hose 1/2" NPT.

*NOTE: Details of other electrical systems available upon request.*



MODEL 2600PHE



MODEL 2692PHE

# APPENDIX

## A. OVEN PERFORMANCE

### A.1 Verification Check List

1. Verify that the doors are properly aligned and that there is no interference occurring at room temperature and 400°F.
2. Verify that all screws and bolts are tight.
3. Verify that the blower fan can operate at high and low speeds.
4. Clean oven with a rag and run oven for 2 hours to burn off oil, clean interior prior to use.
5. Verify that the racks do not bind at 400°F.

Verify the accuracy of the oven's thermostat at 350°F by comparing the temperature control setting to the temperature at the center of the oven (*one thermocouple*). The maximum difference is to be no more than +/- 5°F.

PART NO.	SPARE PARTS LIST DESCRIPTION	QTY.
10-7371	Power Switch	1
10-5052	Light, Fan Power	1
10-5052	Light Heating Element	1
08-6308	Reed, Switch	1
08-6472	Relay, 120 Volt	1
10-4714	Thermostat, 475°F	1
09-5259	Thermostat, Knob	1
08-6464	Timer	1
08-3826	Timer, knob	1
10-5944	Contactactor	1
09-7248	Motor, 2 Speed	1
08-6351	Hi-Limit, Thermostat	1
08-6468	Fuse, 5 Amp	2
09-6475	Transformer, 500 VA	1
10-7395	Buzzer, 120 Volt	1
08-7978	Fan, Cooling	1
98-4066	Element, Heating, 208 Volt (Nest of three)	1
98-4067	Element, Heating, 240 Volt (Nest of three)	1
98-4065	Element, Heating, 480 Volt (Nest of three)	1
08-8004	Loctite 268	1
08-8003	RTV 106 Silicone Sealant	1
08-7999	* Hardware Kit (Fasteners)	1
98-3623	Complete Spare Parts Kit	1
08-8032	Replacement Bulb	1
08-8033	Replacement Lens	1
08-8034	Replacement Lens Gasket	1
* <b>NOTE:</b> For individual fasteners refer below for specific part numbers.		

# APPENDIX

<b>PART NO.</b>	<b>PARTS LIST OF FASTENERS DESCRIPTION</b>	<b>LENGTH (inches)</b>	<b>THREAD SIZE</b>	<b>QTY.</b>
10-1864	SCREW CAP HEX HEAD	0.5	1/4"-20	77
10-1814	SCREW CAP HEX HEAD	0.75	1/4"-20	7
08-7840	NUT, SERRATED FLANGE		1/4"-20	73
08-7995	BOLT, HEX HEAD	3	5/16"-18	4
08-7956	NUT, SERRATED FLANGE		5/16"-18	8
10-2045	SCREW CAP HEX HEAD	0.5	#10-32	2
08-7996	TEK SCREW PHILLIPS PAN HEAD #2	0.5	#10-16	10
10-2146	SCREW, SLOTTED PAN HEAD	0.25	#6-32	26
10-1728	SCREW, PHILLIPS FLAT HEAD C-SUNK		#8-32	8
08-7994	SCREW, PHILLIPS FLAT HEAD C-SUNK	1	#10-32	8
10-1749	SCREW, MACHINE ROUND HEAD	0.25	#8-32	6
10-1761	SCREW, MACHINE TRUSS HEAD		#8-32	41
10-2571	NUT, KEPS		#8-32	20
08-8005	NUT, SERRATED FLANGE		#10-32	8
08-7992	SOCKET SET SCREW	1	#8-32	4
10-1790	SCREW, CAP HEX HEAD		1/4"-20	8
10-1939	BOLT, SHOULDER	0.5	1/4"-20	4
08-7991	SCREW, SLOTTED FLAT HEAD C-SUNK	0.5	#8-32	2
08-7990	SCRW, SLOTTED TRUSS HEAD	0.5	1/4"-20	3
08-3822	WASHER, STAINLESS STEEL TYPE B		1/4"	4