

# PARTS MANUAL

## 2 BURNER ELECTRIC HOT PLATE



**MARKET FORGE**  
INDUSTRIES INC.

*An Employee Owned Company*

---

Form Number: S-55

06/04

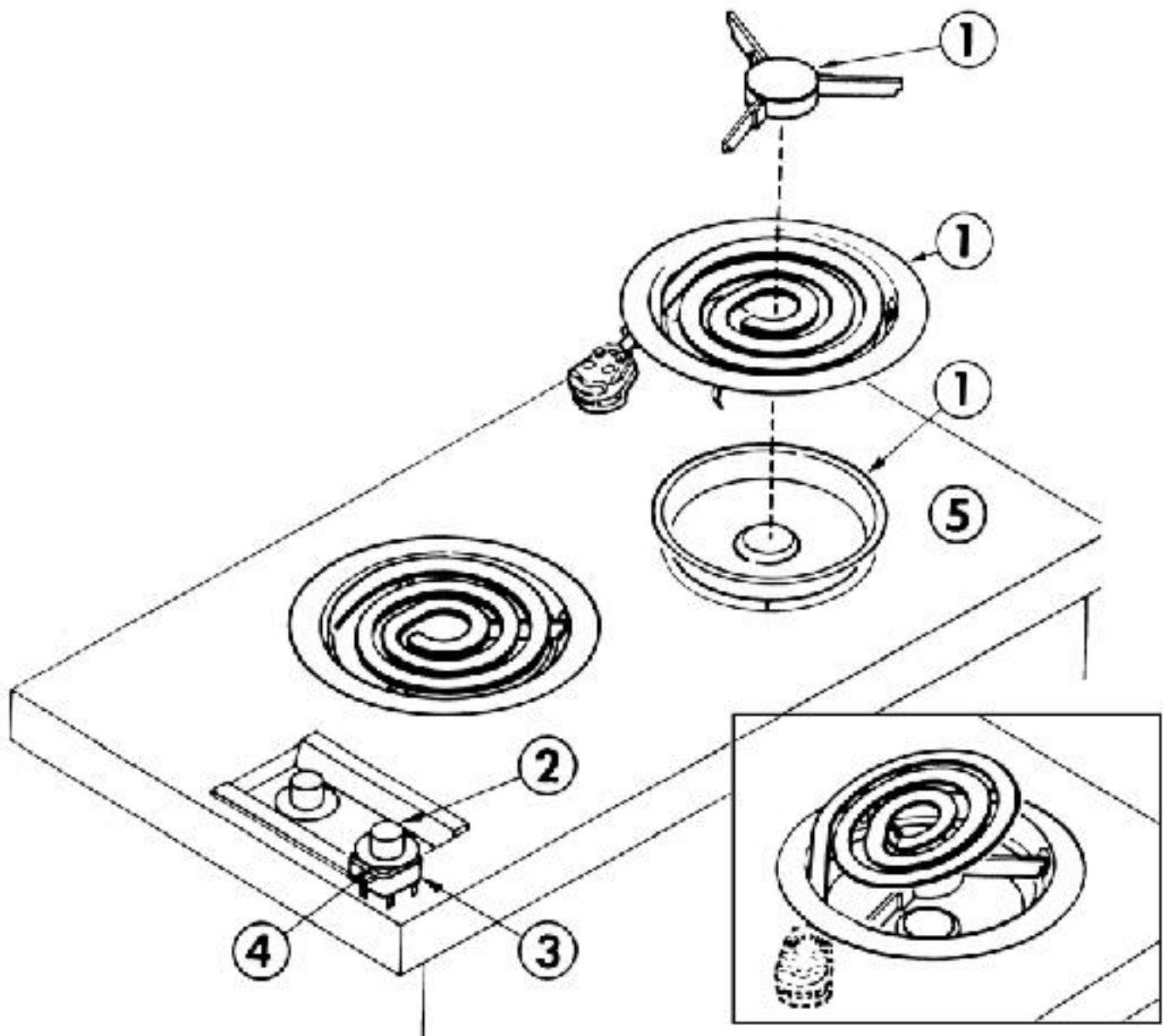
Printed in U.S.A.

35 Garvey Street \* Everett \* MA \* 02149

Tel: (617) 387-4100 \* Fax: (617) 387-4456

Outside Fax: 1-800-227-2659

E-Mail: [custserv@mfi.com](mailto:custserv@mfi.com) \* Website: [www.mfi.com](http://www.mfi.com)



### ELECTRIC HOT PLATE

ITEM	PART NO.	DESCRIPTION
1	10-5993	Range Surface Unit
2	10-4472	Control Knob
3	10-5992	Infinite Heat Switch
4	10-2433	Infinite Heat Switch Seal
5	10-6508	Transformer 277v, 18H Only.



## ELECTRIC HOTPLATE

### PARTS LIST

<b>PART NO.</b>	<b>DESCRIPTION</b>
91-1200	CABINET TOP W / EXT. ASSEMBLY
09-6589	HOTPLATE – 2600W, 208V
09-6590	HOTPLATE – 2600W, 240V
10-5992	CONTROL SWITCH
09-5259	CONTROL KNOB
SUPPLIED W / ELEMENT	HOLD-DOWN BRACKET
10-5067	HANDY BOX B
10-5068	HANDY BOX COVER B
10-5170	STRAIGHT CONNECTOR B
10-5168	BUSHING B
10-8271	CONTROL PANEL
10-6669	INDICATOR LAMP, 250V, 1/3W
10-2541	SPEED NUT
10-1849	#6-32 x ½ LG., RD., HD., MACH., SCREW B
10-2515	#6 LOCK WASHER B
10-2337	#6-32 HEX NUT B
91-1206	CONDUIT ASSEMBLY
10-5220	GROUND LUG B
10-5503	TERMINAL BLOCK
10-5070	TERMINAL END BLOCK

BT THESE PARTS MAY BE PURCHASED LOCALLY.

**LINE CONNECTION BOX**

**FOR SINGLE PHASE**

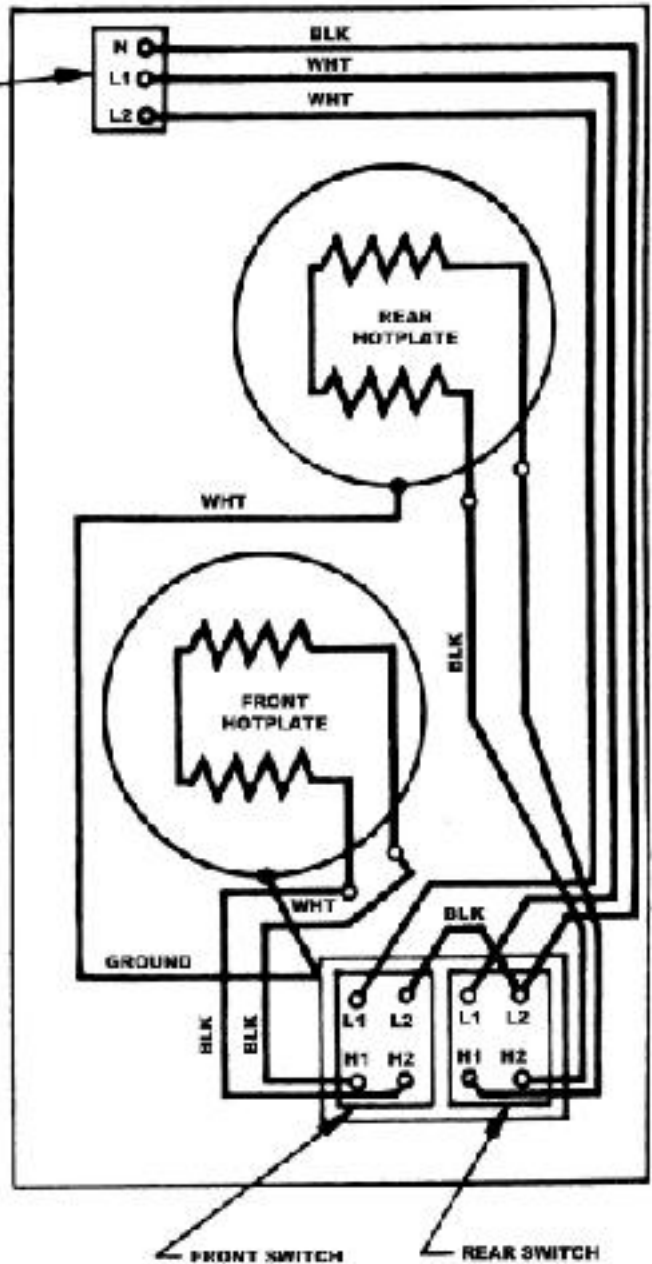
Connect black conductor to one supply wire and the two white conductors to the other.

**FOR THREE PHASE (A) (C)**

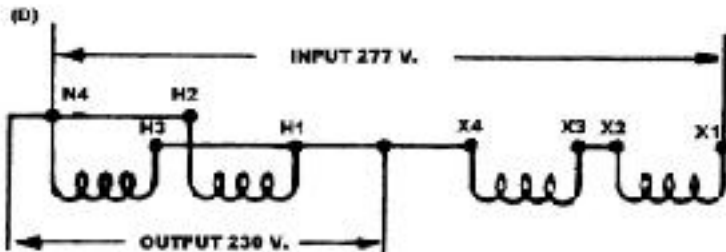
Connect N, L1 and L2 to the three supply wires.

**FOR THREE PHASE, 4 WIRE (C)**

Connect "N" to the neutral.  
Connect L1 to one phase wire and L2 to another phase wire.



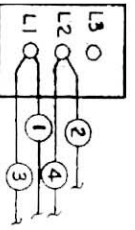
**TRANSFORMER CONNECTIONS FOR 277 VOLT 1 pH POWER**



AMPERES PER LINE WIRE	208V.	240/415V.
SINGLE PASE SUPPLY	19	--
THREE PHASE, THREE WIRE SUPPLY (UNBALANCED LOAD)	16	--
THREE PHASE, FOUR WIRE, 50Hz SUPPLY	---	10.4 (C)

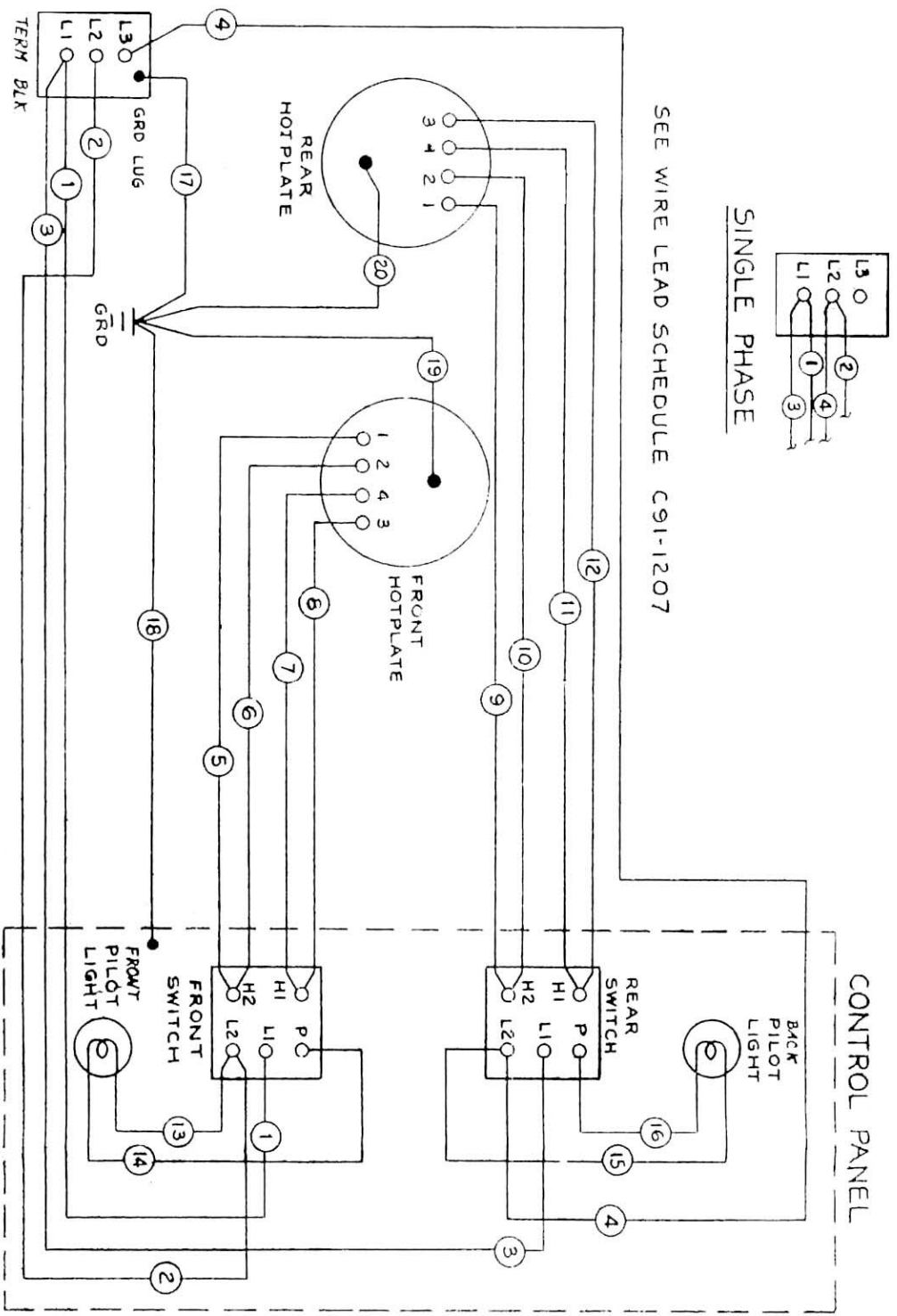
**NOTES:**

- (A) 1. Rated wattage of each surface unit at 208V. - 1950; at 240V. - 2500.
- 2. All conductors no.14 ga. stranded copper insulated with 2/64" silicone rubber with glass braid jacket type SFF 2 (SEWF 2) rated 600V., 150°C.
- 3. See dwg B91-1210 for wire lead schedule.
- (D) 4. To connect hot plate to 277V. supply.
  - a. Mount transformer on bottom shelf dwg no.
  - b. Connect black wire to one of the output wires from the transformer.
  - c. Connect both wires to the remaining output wire on the transformer.
  - d. Connect both input wires on transformer to 277V. one phase supply.



SINGLE PHASE

SEE WIRE LEAD SCHEDULE C91-1207



VOLTAGE	PH	LINE 1	LINE 2	LINE 3
208	1	28	28	
240	1	22	22	
208	3	28	14	14
240	3	22	11	11