

**Bar Maid® Corporation**  
2950 NW 22nd Terrace  
Pompano Beach, FL 33069  
TEL (954) 960-1468 • FAX (954) 960-1647  
www.barmaidwashers.com



**Bar Maid®**



**FOR PARTS OR SERVICE  
INFORMATION**  
please contact us at the numbers listed  
or call the Bar Maid Customer Service  
line at: 1-800-526-5278

# CARE AND MAINTENANCE / OPERATING INSTRUCTIONS

Congratulations on your purchase of the finest Glass Washer made. Bar Maid® machines are manufactured and tested to meet the toughest safety and sanitation standards. Please follow these instructions carefully. Failing to do so in some cases may damage the machine, cause injury to the operator and/or void warranty.

## IMPORTANT!! PLEASE READ THIS FIRST:

- 1 Plug unit **only** into a **GROUND**ED outlet that matches the voltage/cycle as listed on the motor. Outlet must be equipped with a ground-fault circuit interrupter (G.F.C.I.).
- 2 Keep electrical cord clear of brushes and water.
- 3 Switches and blue switch boxes (for SS Model) must **NOT** contact water. **ATTACH BOX TO A DRY LOCATION with screws provided.**
- 4 **DO NOT** operate machine out of water. **DO NOT** use any machine if the power cord or motor housing is cracked or damaged.
- 5 Ensure brushes are securely in place before turning machine on.
- 6 Use machine only for the purpose it was intended.
- 7 Disconnect from the power source before servicing.
- 8 Do not use if any parts are cracked, broken or leaking oil.
- 9 Do not remove the safety clamp from SS motor.
- 10 **CAUTION: Use only genuine Bar Maid® replacement parts.**
- 11 **Keep machines upright!!! Lying on side may cause damage.**

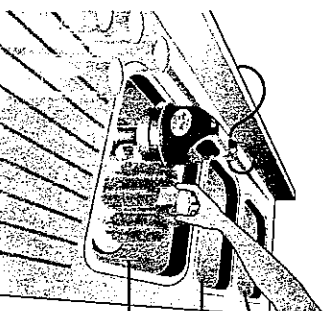
## CARE AND MAINTENANCE

A few simple procedures will help ensure a long, trouble-free life:

- 1 When closing for the day, drain sink and wipe off machine.
- 2 **LET WASHER DRY** overnight.
- 3 Once per month, carefully lift off rubber band that protects gear housing. Immerse machine in enough water to cover brushes and add a half cup of vinegar or bleach. Run machine for ten minutes, rinse thoroughly and replace band. Check overall condition. If any parts appear cracked or damaged, please write, call or fax for service information and replacement parts.

## OPERATING INSTRUCTIONS - ALL MODELS

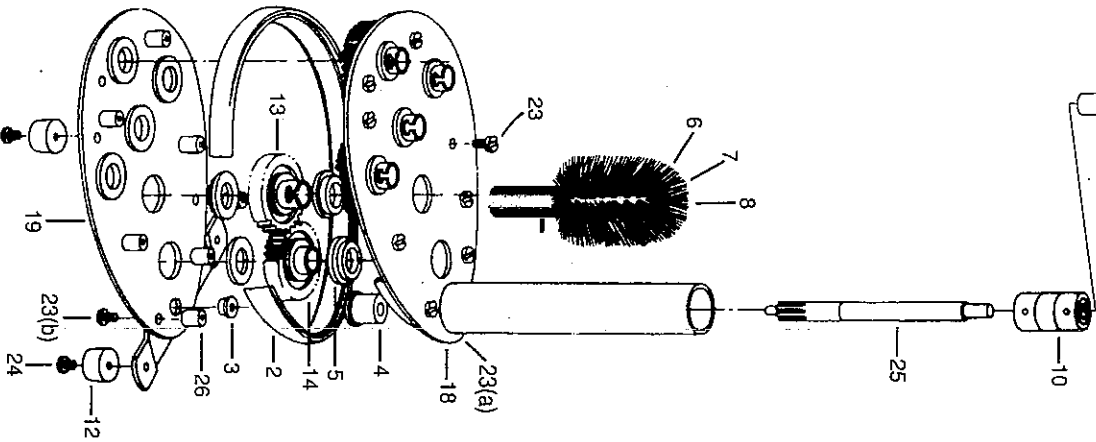
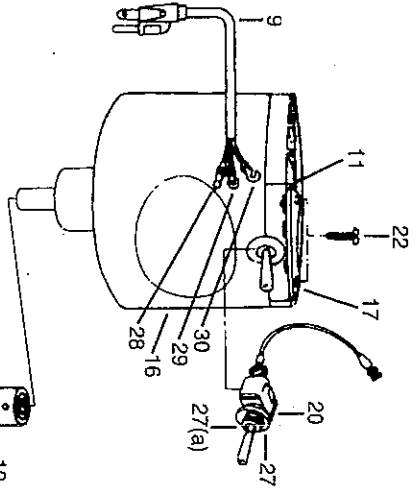
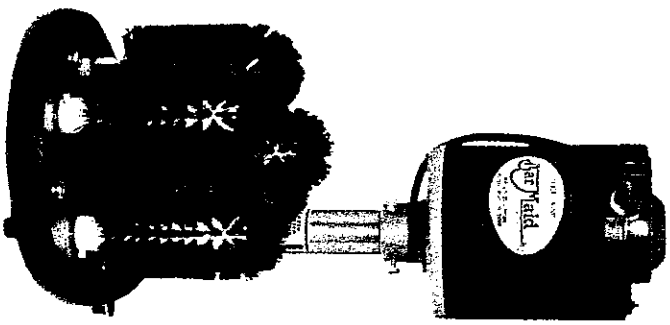
- 1 Place unit in sink and fill with warm water to 1/2 inch below the top of the brushes on the A-200/205 model or the water line label on other models. Water must be comfortable to touch, **115°F maximum**. Add a quality liquid "low suds" detergent such as Bar Maid® LoSUDS®. Granular (powder) detergents are not recommended as they can be abrasive and cause premature wear to gears and bearings.
- 2 Plug machine into a grounded, G.F.C.I. (ground-fault circuit interrupter) equipped outlet. If the machine is equipped with a G.F.C.I., test and reset. Turn machine on.  
**IMPORTANT NOTE:** SS Model Submersible machines are equipped with a 125° thermal cut-off to protect from over-heating. Excessively hot water may cause the machine to shut off. If this occurs, drain sink and refill with only warm water. Wait 20 minutes for machine to cool down and then restart. If machine fails to start, test and reset G.F.C.I. unit on cord (if so equipped) or receptacle.
- 3 For best results, wash one glass at a time. **Always** start the Glass Washer before placing glass over the brush. The center brush scrubs the inside of the glass while the four outside brushes wash the outside. If taller glasses are washed, a longer center brush can be used. (see Accessories). Rinse in fresh water in second sink, then in third sink sanitize the glass. Let drain.



Fresh water & sanitizer  
Fresh water rinse  
Glass Washer with Detergent



# Model A-200/ A205 Upright Glass Washer



Features quiet, powerful 1/3 HP enclosed motor with sealed lower bearing and exclusive Splashgard® canopy. Heavy bronze bearings and stainless construction. ETL approved to UL, CSA & NSF.

Part Number	Product Description	Diagram #	Qty Required
BAN 865	BAND • gear protector	2	1
BER-3540S	BEARINGS • upper and lower shaft bearing set for Model A	3 & 4	1 set
BER 860	BEARINGS • bronze gear bearings (seals available - see back page)	5	12
BRS-917	BRUSHES • 6 inch standard	6	5
BRS-920	BRUSHES • 6 3/4 inch slightly taller brush	7	5
BRS-922	BRUSH • 7 1/2 inch tall brush	8	1
BRS-975	BRUSH • 8 1/2 inch extra tall	8	1
COR-220	CORD • with strain relief for Model A	9	1
CPL-285	COUPLER • motor shaft for Model A	10	1
GAS-175	GASKET • switch plate cover for Model A	11	1
FET-850S	FEET SET • 4 black rubber feet with 4 screws	12 & 24	1 set
GER-905	GEARS • drive gears (to drive brushes) (seals available - see back page)	13	5
GER-906	GEAR • idler gear	14	1
MTR-201	MOTOR • Model A (110V) with cord, switch & Splashgard® canopy	16	1
MTR-205	MOTOR • Model A (220V - 50Hz)	16	1
CPY-500	CANOPY • Splashgard® for top of motor on Model A	17	1
PLT-201	PLATE • top plate for Model A	18	1
PLT-202	PLATE • bottom plate for Model A	19	1
SWA-250	SWITCH ASSEMBLY • includes a switch, switch boot and a bushing	20	1
SCR-255	SCREWS • for switch plate cover for Model A	22	2
SCR-875	SCREWS • plate screws	23	16
SCR-876/877	THROUGH BOLT/ NUT ASSEMBLY • for Model A and SS	23	SS=6 A=9
SHF-245	SHAFT • drive shaft for Model A	25	1
SPA-886	SPACER • plate spacer	26	9
SWB-197	SWITCH BUSHING • for Model A	27	1
SWT-196	SWITCH • heavy duty 20 amp toggle switch	27	1
SBA-270	SWITCH COVER • switch cover, red	27(a)	1

Order Line 1-800-526-5278 / Order Fax 1-800-457-5612