

ANETS

FILTRONIC II FILTER SYSTEM FILT II-14 CE



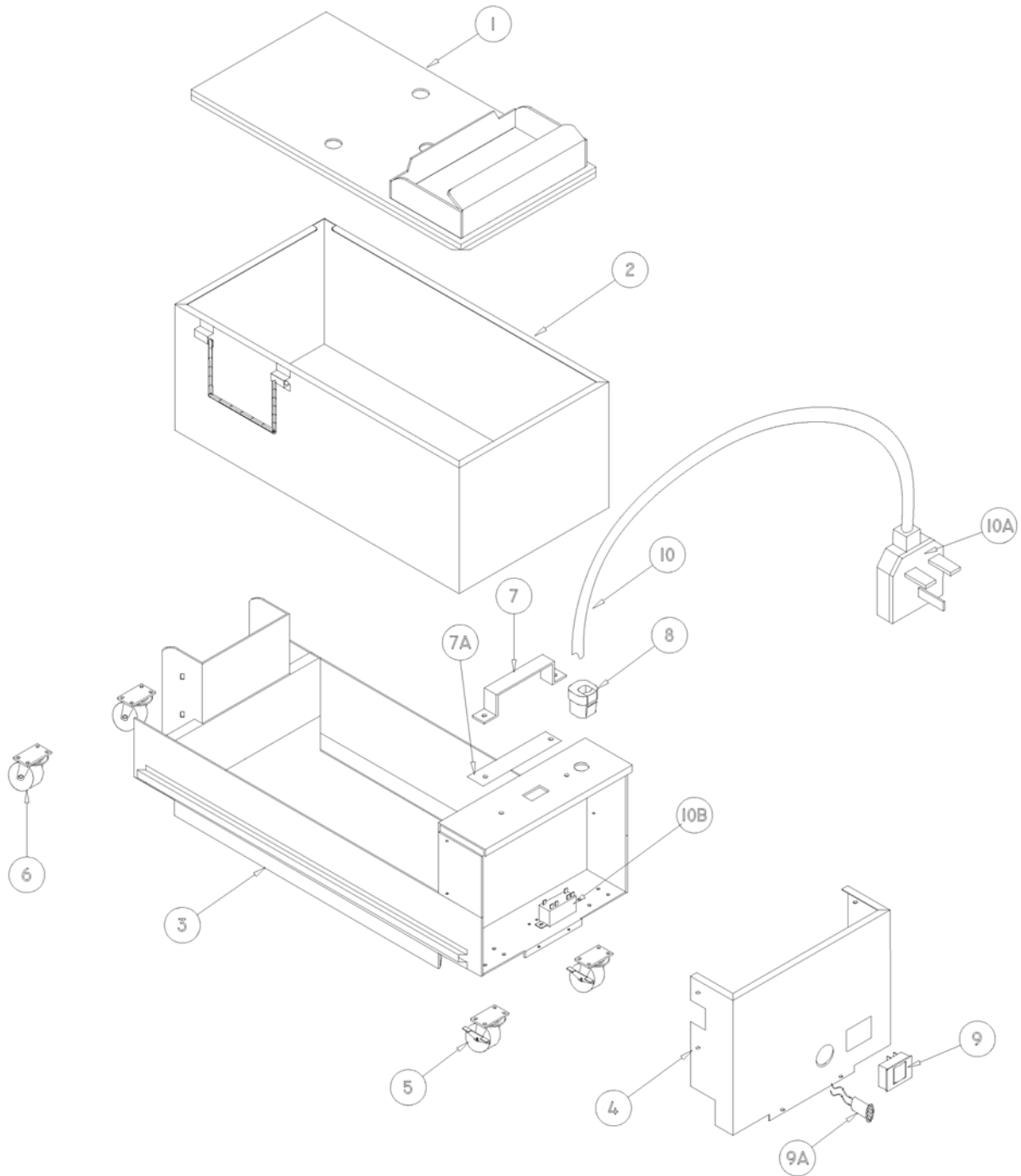
ANETS
GoldenFRY™

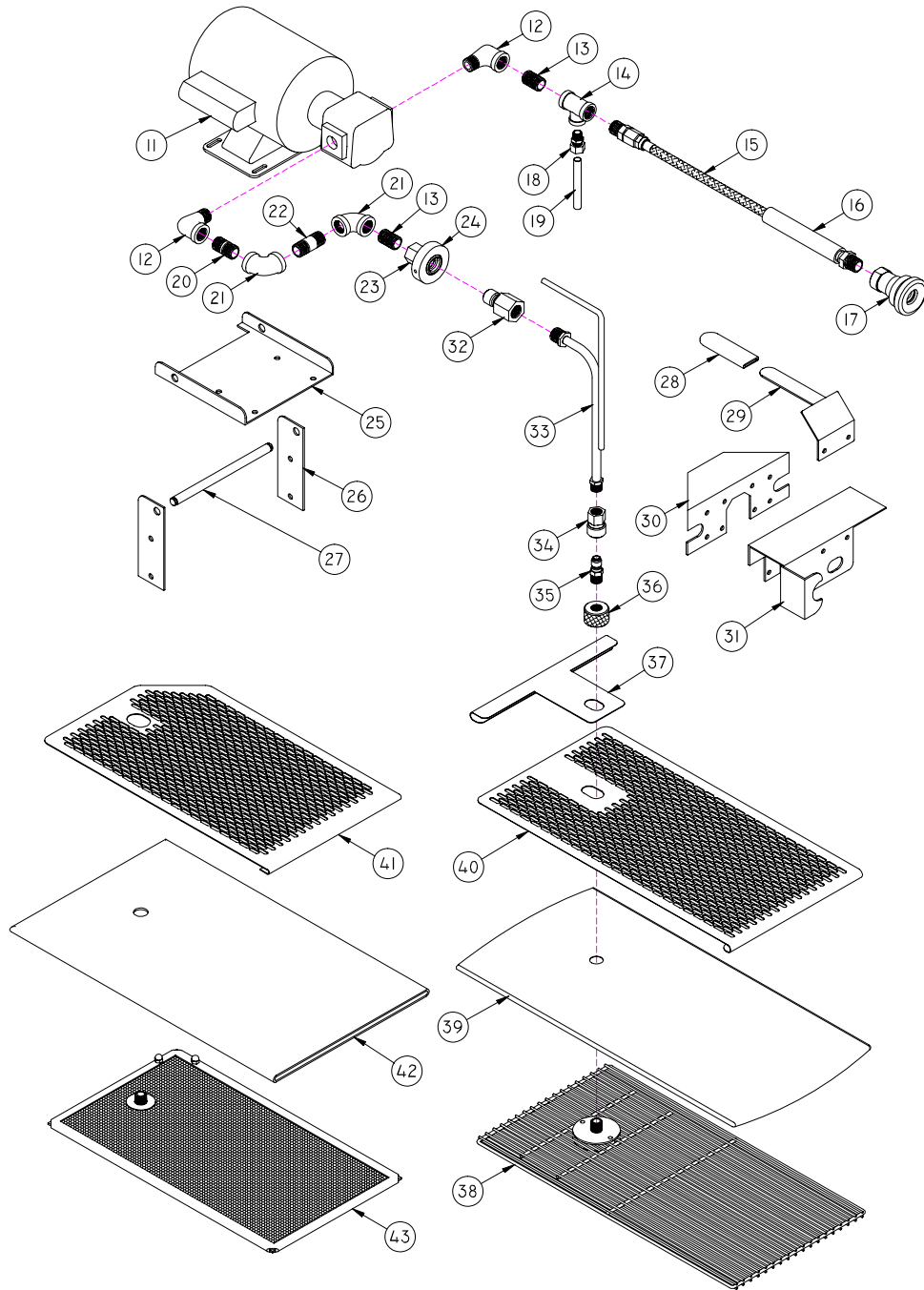
Anetsberger Brothers, Inc. • 180 North Anets Drive • Northbrook, Illinois 60062

Main: 847-272-0770 • Toll free: 847-837-2938 • Fax: 847-272-1943

www.anets.us •

ANETS
GoldenGRILL™





ITEM	QTY	PART NUMBER	DESCRIPTION
1	1	D5945-00	14" Tank Cover
		D6010-00	18" Tank Cover
2	1	D5942-00	14" Tank
		D6007-00	18" Tank
3	1	E4941-00	14" Frame
		E4984-00	18" Frame
4	1	D5922-01	14" Front Cover
		D6008-01	18" Front Cover
5	2	P9000-34	Swivel Caster W/ Brakes
6	2	P9000-33	Swivel Caster W/O Brakes
7	1	C10384-00	Filter Handle
7A	1	B14550-00	Cover
8	2	P9110-57	Strain Relief Bushing
9	1	P9101-84	Switch
9A	1	99123-13	Indicating light
10	1	P9115-51	Plug British
	1	P9115-53	Plug EU
	1	P9115-56	Plug EU-Danish
	1	P9115-55	Plug Swiss
10B	1	P9132-51	Motor ON/OFF relay
11	1	P8110-58	1/3 HP Motor And Pump
12	2	P8820-20	Street Elbow
13	2	P8820-10	½ Close Nipple
14	1	P8820-84	½ x ½ x ¼ Reducer Tee
15	1	P9600-98	Hose 14" System
		P9600-96	Hose 18" System
16	1	B14050-00	Filter Hose Sleeve
17	1	P8841-43	Quick Disconnect Assembly
18	1	B14171-00	Vent Assembly
19	1	B13931-00	Vent Tube
20	1	P8820-52	½ x 1 ½" Black Nipple
21	2	P8820-11	90° Black Elbow
22	1	P8820-04	½ x 2" Black Nipple
23	1	P8840-30	Coupling Socket
24	1	B11896-00	Collar
25	1	C10307-00	Motor Mounting Plate
26	2	B13894-00	Motor Adjustment Bracket
27	1	B13862-00	Pivot Rod
28	1	P9603-10	Valve Handle Cover (B13799)
29	1	C10385-00	Filter Handle
30	1	C10309-00	Plumbing Support
31	1	C10377-00	Plumbing Support Weldment
32	1	P8840-29	Coupling Plug
33	1	C10364-00	14" Filter Handle Weldment
		C10364-01	18" Filter Handle Weldment
34	1	P8841-35	Coupling Socket
35	1	P8841-44	Coupling Plug
36	1	P9314-90	Knurled Coupling Cap (B14013)
37	1	C10533-00	Filter Paper Clip
38	1	P9800-89	Filter Screen Weldment (C10530)
39	1	P9315-07	Filter Envelope – 100 Pcs. (B14005)

IMPORTANT: When ordering replacement parts...please supply model and serial number... type of gas... item number...description and part number. Part orders that are shipped due to lack of above information are subject to restocking charge. No merchandise can be returned without written permission.

ITEM	QTY	PART NUMBER	DESCRIPTION
40	1	D6227-00	Filter Paper Guard
41	1	D5838-00	Filter Guard
42	1	P9314-65	Filter Envelope – 50 Pcs. (B13705)
43	1	P9310-43	Filter Leaf Kit
44	1	D5949-00	14" Filtronic Complete Filter Assembly (Consist Of Items # 32 – 38)
		D5949-01	18" Filtronic Complete Filter Assembly (Consist Of Items # 32 – 38)
45	1	D4396-01	Oil Disposal Hose Assembly (Not Shown)

IMPORTANT: When ordering replacement parts...please supply model and serial number... type of gas... item number...description and part number. Part orders that are shipped due to lack of above information are subject to restocking charge. No merchandise can be returned without written permission.

SP ... Rev. 3/09