



REPLACEMENT PARTS CATALOG

**AT-30
CONVEYOR TOASTERS**

AT-30 P/N 83910 - 208V, 60HZ
AT-30 P/N 83912 - 208V/240V, 60HZ
AT-30 P/N 83914 - 240V, 50HZ
AT-30BT P/N 83915 - 240V, 60HZ

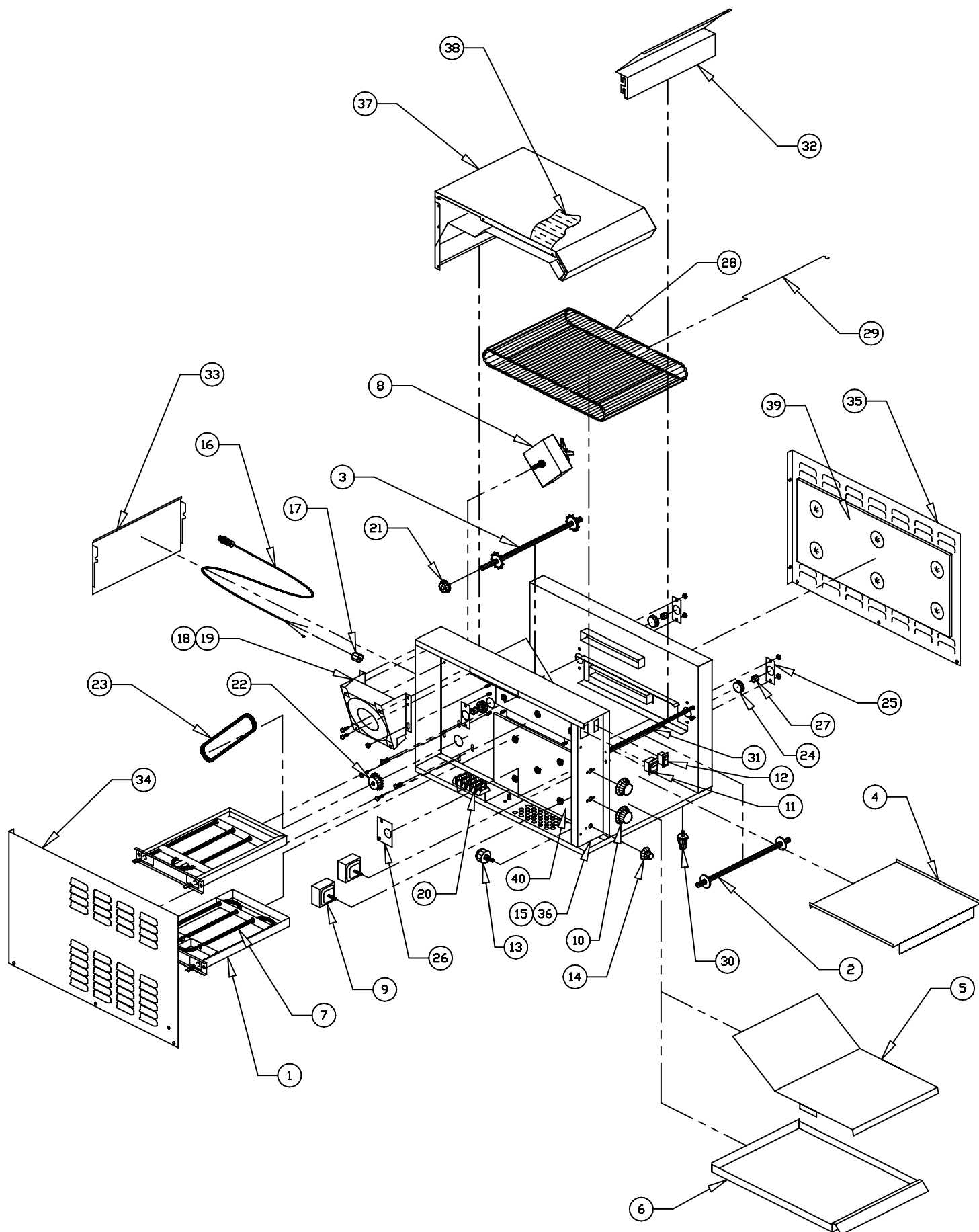
3 INCH OPENING

AT-30 P/N 83981 - 120V, 60HZ TOP HEAT
AT-30 P/N 83935 - 208V, 60HZ
AT-30 P/N 83934 - 240V, 60HZ
AT-30 P/N 83918 - 208V, 60HZ
AT-30 P/N 83980 - 240V, 60HZ

APW / Wyott
FOOD SERVICE EQUIPMENT CO
DALLAS, TX 75226

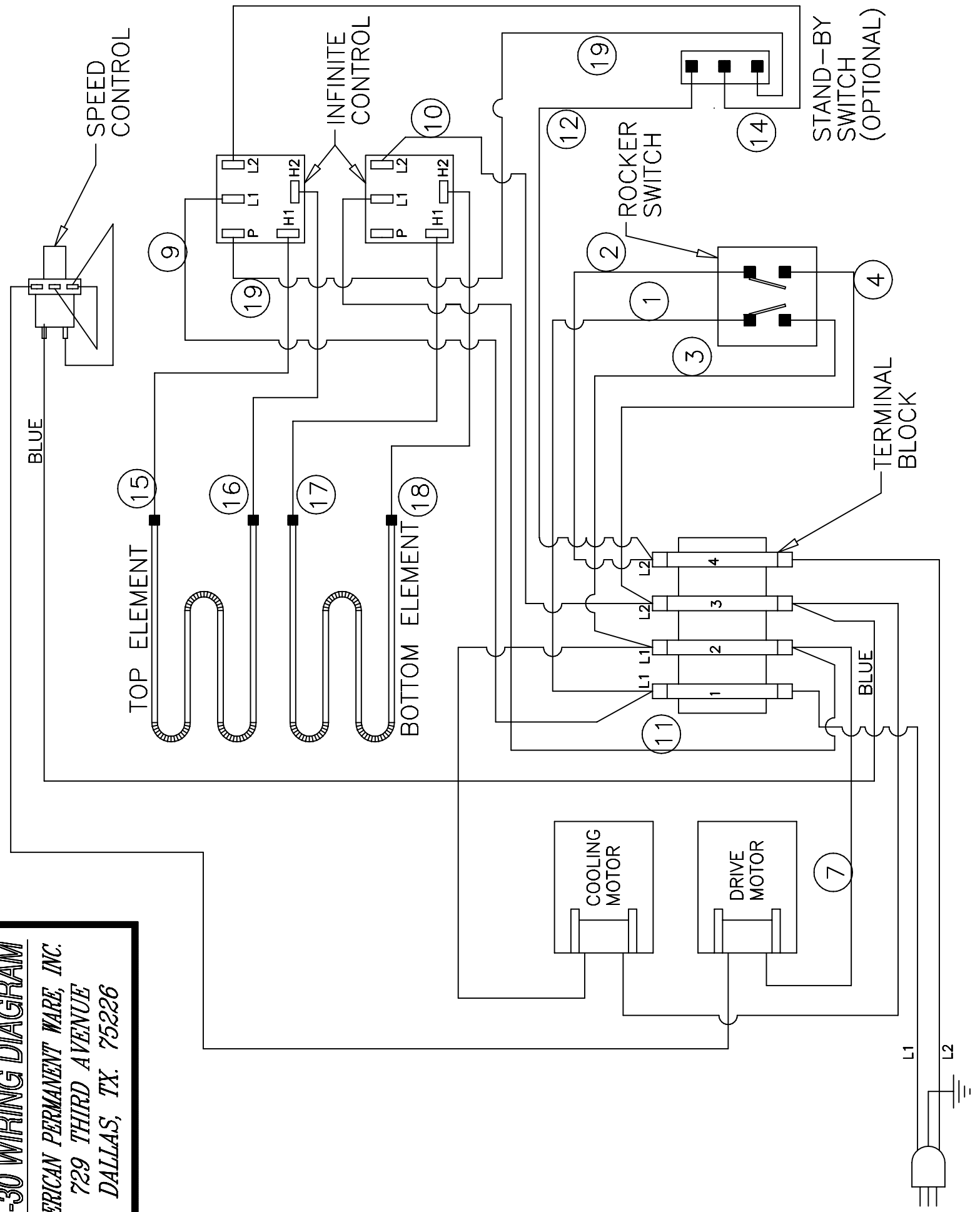
AT-30 CONVEYOR TOASTERS

ITEM NO.	STOCK NO.	DESCRIPTION	ITEM NO.	STOCK NO.	DESCRIPTION
1	83837	ELEMENT RACK ASSEMBLY	32	83884	FRONT BRACE/SUPERFEEDER
2	83853	IDLER SHAFT ASSEMBLY		83414	FRONT BRACE ONLY
3	83976	DRIVE SHAFT ASSEMBLY	33	83426	LOWER BACK PANEL
4	83427	REFLECTOR, CRUMB TRAY	34	83827	LEFT SIDE COVER
5	83832	BREAD SLIDE		83949	LEFT SIDE COVER 3"
6	83889	BREAD DRAWER TRAY	35	83861	RT. SIDE COVER
7	54084	ELEMENT 120V-1600W		83955	RT. SIDE COVER 3"
	54007	ELEMENT 208/240V-1650/2200W	36	83890	CONTROL PANEL
	54033	ELEMENT 208V -2200W		83946	CONTROL PANEL 3"
	54008	ELEMENT 240V-1650W		83875	CONTROL PANEL 30A & TOP HEAT UNITS
8	85152	DRIVE MOTOR 120V		83849	CENTER. PANEL ASS'Y
	85149	DRIVE MOTOR 208-240V	37	60135	INSULATION-CENTER PANEL.
	85144	DRIVE MOTOR 230V-50HZ	38	60138	INSULATION-RT. SIDE COVER
9	69102	INFINITE CONTROL 120V	39	60149	INSUL - RT. SIDE COVER 3"
	69103	INFINITE CONTROL 208-240V		60148	INSULATION-INST. PANEL
10	88705	KNOB, INFINITE CONTROL	40	60147	INSUL. LT INSIDE PANEL 3"
11	89406	MAIN POWER SWITCH	ITEMS NOT SHOWN		
	67002	MAIN POWER SWITCH (30A TOGGLE)			
	67004	MAIN POWER SWITCH (20A TOGGLE)			
12	89408	STAND-BY SWITCH		83893	CONTROL COVER OPTIONAL
13	83255	SPEED CONTROL 120V		83446	CLEANING BRUSH ACCESSORY
	83273	SPEED CONTROL 208-240V		83850	WIRING HARNESS
14	75617	KNOB, SPEED CONTROL		89184	7/8 HOLE BUSHING
15	83894	CONTROL PLATE LABEL		89054	6-32 KEPS NUT
16	55310	POWER CORD 120V, 5-20P		89063	8-32 HEX NUT
	85640	POWER CORD 208-240V, 6-20P		89061	10-24 HEX NUT
	83863	POWER CORD 208-240 6-30P		89025	10-24 SPEED NUT
17	89111	STRAIN RELIEF BUSHING		89059	#10 EXTERNAL LOCKWASHER
18	85286	COOLING FAN MOTOR 120V		88947	3/8 FLAT WASHER
	85284	COOLING FAN MTR. 208-240V		88927	1 1/2" WASHER WELD PIN
19	85285	CORD, COOLING FAN		88909	8-18 x 3/8 TRUSS HD SCREW
20	89145	TERMINAL BLOCK		89042	8-32 x 1/2 SS SCREW
21	83240	16 T CONVEYOR SPROCKET		89073	#8 x 1/2 SHEET MTL SCREW
	83261	12 T CONVEYOR SPROCKET		89021	10-32 x 3/8 SS SCREW
22	83260	18 T MOTOR SPROCKET		83885	SWITCH PLATE USE WITH 67002
	83209	23 T MOTOR SPROCKET		67003	SWITCH LABEL USE WITH 67002
23	82901	DRIVE CHAIN 68 LINKS		58251	CONTROL PLATE LABEL TOP HEAT UNITS
	82902	DRIVE CHAIN 67 LINKS			
24	83248	BEARING, SHAFTS			
25	83821	BEARING RETAINER BRKT.			
26	83879	BER. RET.BRKT., LEFT FRONT			
27	83868	SPACER, BEARING SHAFTS			
28	83880	CONVEYOR BELT 79 LINKS			
29	83445	MASTER LINK, CONV. BELT			
30	83267	LEG 1 1/2" CHROME			
	87318	LEG 1-1/2" BLACK			
31	83444	FRONT STABILIZER ROD			



AT-30 WIRING DIAGRAM

AMERICAN PERMANENT WARE, INC.
729 THIRD AVENUE
DALLAS, TX. 75226



BLUE

TERMINAL BLOCK

STAND-BY SWITCH (OPTIONAL)

ROCKER SWITCH

INFINITE CONTROL

SPEED CONTROL

TOP ELEMENT

BOTTOM ELEMENT

COOLING MOTOR

DRIVE MOTOR

L1

L2