



**REPLACEMENT PARTS CATALOG**

**CW-3A**

**COOKER-WARMER-SERVER 4/3 SIZE**

**CW-3A, 120V, 1800W, P/N [57551](#)**

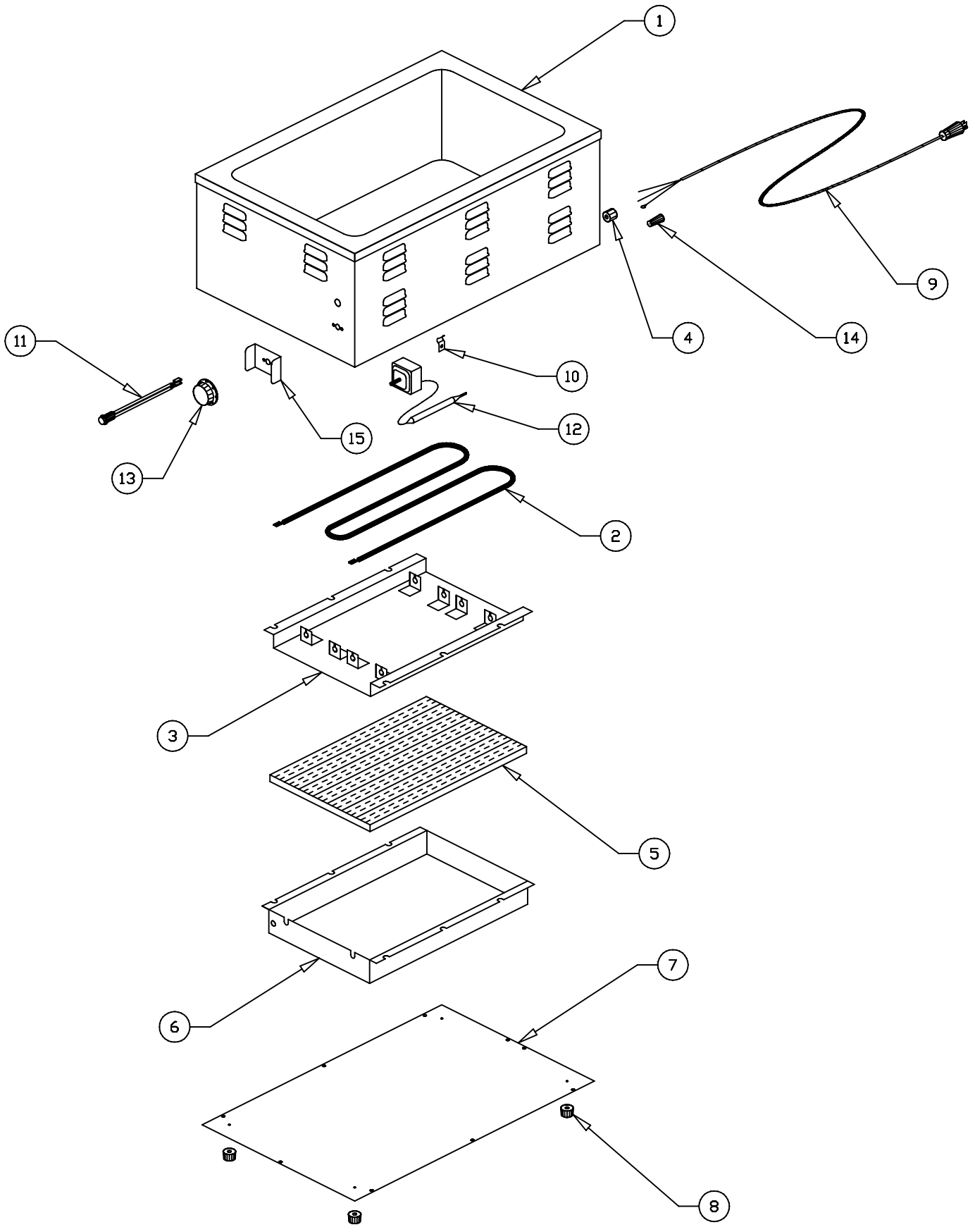
**CW-3A, 208V, 1800W, P/N 57552**

**CW-3A, 208/240V, 1200/1600W, P/N 57553**

**APW / Wyott**  
FOOD SERVICE EQUIPMENT CO.  
DALLAS, TX. 75226

## COOKER-WARMER-SERVER 4/3 SIZE

ITEM NO.	STOCK NO.	DESCRIPTION
1	57574	PAN AND WRAPPER ASSEMBLY
2	55466	120V HEATING ELEMENT
	54052	208V HEATING ELEMENT
	55441	208/240V HEATING ELEMENT
3	56464	REFLECTOR PAN
4	89111	POWER CORD STRAIN RELIEF
5	55463	INSULATION
6	55467	ELEMENT COVER
7	57573	BOTTOM COVER
8	55768	RUBBER FOOT
9	85638	CORD 120V
	85640	CORD 208/240V
10	89120	JIFFY CLIP
11	56530	INDICATOR LAMP
12	60320	THERMOSTAT
13	56528	KNOB, THERMOSTAT
14	89475	WIRE NUT
15	54801	KNOB GUARD
HARDWARE NOT SHOWN		
	89061	10-24 HEX NUT
	88961	#10-24 HEX NUT, GREEN-GROUND
	89025	10-24 SPED NUT
	89059	#10 EXTERNAL LOCKWASHER
	89073	#8 X 1/2 SHEET METAL SCREW
	89425	FIBERGLASS SLEEVING (CORD LEADS)
	57571	WIRING HARNESS



# CW-3A WIRING DIAGRAM

AMERICAN PERMANENT WARE, INC.  
729 THIRD AVENUE  
DALLAS, TX. 75226

