

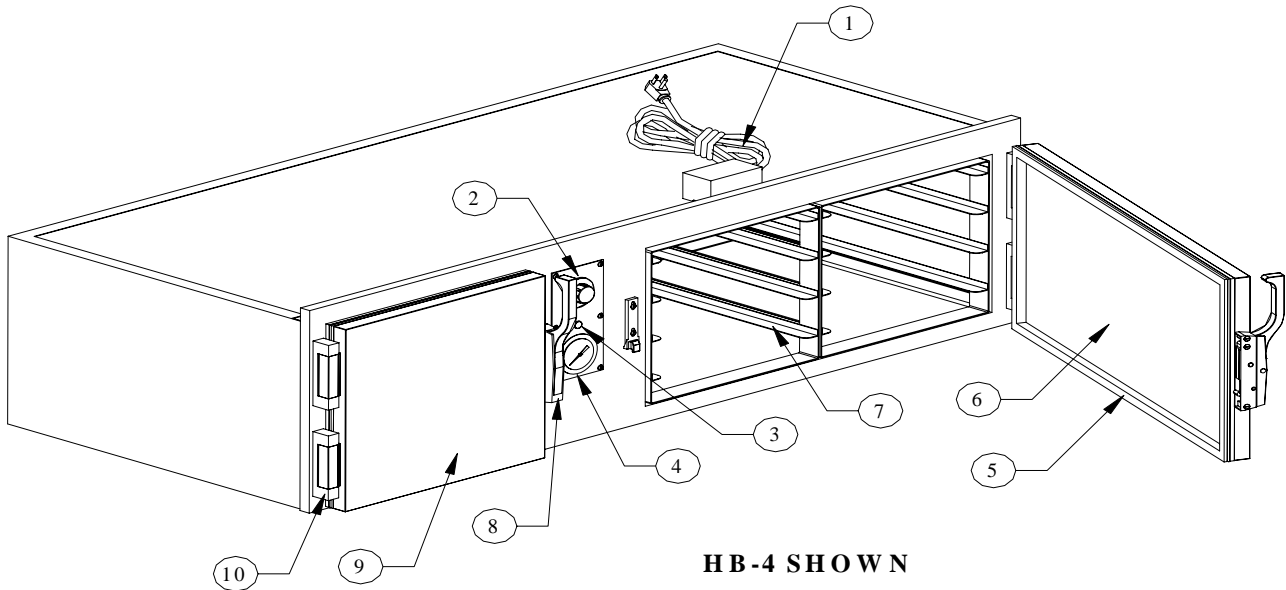
# Atlas Metal INDUSTRIES, INC.

Subsidiary of Mercury Aircraft, Inc.

1135 N.W. 159th DR., MIAMI, FL 33169

PHONE (305) 625-2451, (800) 762-7565, FAX (305) 623-0475, E-mail: [sales@atlasfoodserv.com](mailto:sales@atlasfoodserv.com)

## PARTS LIST ELECTRICAL HEATED BASE HB SERIES



ITEM NUMBER	PART NUMBER	DESCRIPTION
1	1001-0	Power Cord 14/3-15 Amps 240V
	1002-0	Power Cord 14/3-15 Amps 120V
2	<a href="#">22-1407</a>	Thermostat Knob
3	1100-0	Pilot Light
4	1105-0	Thermometer
5	<a href="#">7010-3</a>	#3 & #4 Door Gasket
	<a href="#">7013-3</a>	#4 & #5 Door Gasket
6	<a href="#">S83754-4</a>	Door Assembly HB-5
7	S83753-0	Pan Rack
8	<a href="#">6055-1</a>	Slam Action Latch
	<a href="#">6052-1</a>	Slam Action W/ Lock
9	<a href="#">S83754-3</a>	Door Assembly HB-3, HB-4
10	<a href="#">6053-8</a>	Hinge & Cover
11	1087-0	Cord Connector (Not Shown)
12	<a href="#">2500-1</a>	Thermostat (Not Shown)
13	1053-0	120V / 850W Element (Not Shown)
	1054-0	208V / 850W Element (Not Shown)
	1055-0	240V / 850W Element (Not Shown)

# SLIDE- IN HEATED BASE

## HB SERIES

---

---

### OPERATION

The unit is ready to operate as soon as it is plugged in and turned on. The thermostat has an off position and numbers from #1 through #10 (number 10 is the highest setting).

The unit is supplied with a power cord and NEMA plug. Refer to the data plate for the amperage and voltage information. Use a licensed electrician when installing power source.

---

---

### MAINTENANCE

**NEVER** CLEAN THE UNIT WITH A CHLORIDE BASED PRODUCT. CHLORIDES OR IMPROPER CLEANING COULD SCAR, MARK AND/OR CORRODE METAL. **DO NOT** USE STEEL WOOL OR ABRASIVE PRODUCTS. TO CLEAN USE SOAPY WARM WATER, RINSE THOROUGHLY TO REMOVE ALL RESIDUES. **FAILURE TO MEET THESE CONDITIONS WILL VOID WARRANTY.**