



*The Choice of Experience*

CATALOG OF  
REPLACEMENT PARTS



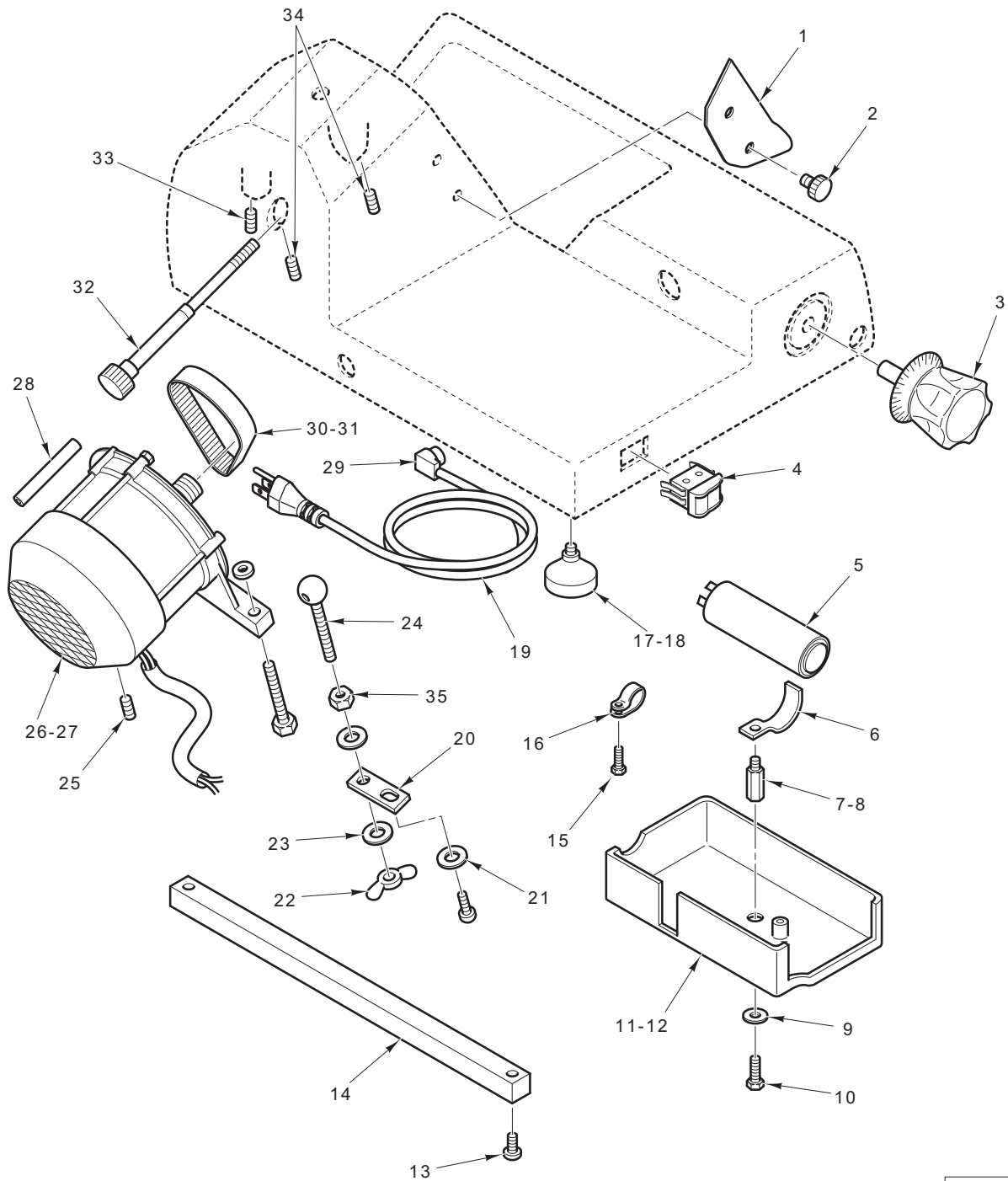
MODEL  
823  
823E  
825E  
SLICER

EFFECTIVE OCTOBER 2009



### Table of Contents

5	ELECTRICAL AND HOUSING
7	MEAT TABLE AND CARRIAGE
9	KNIFE AND GAUGE PLATE ASSEMBLY
11	SHARPENER ASSEMBLY

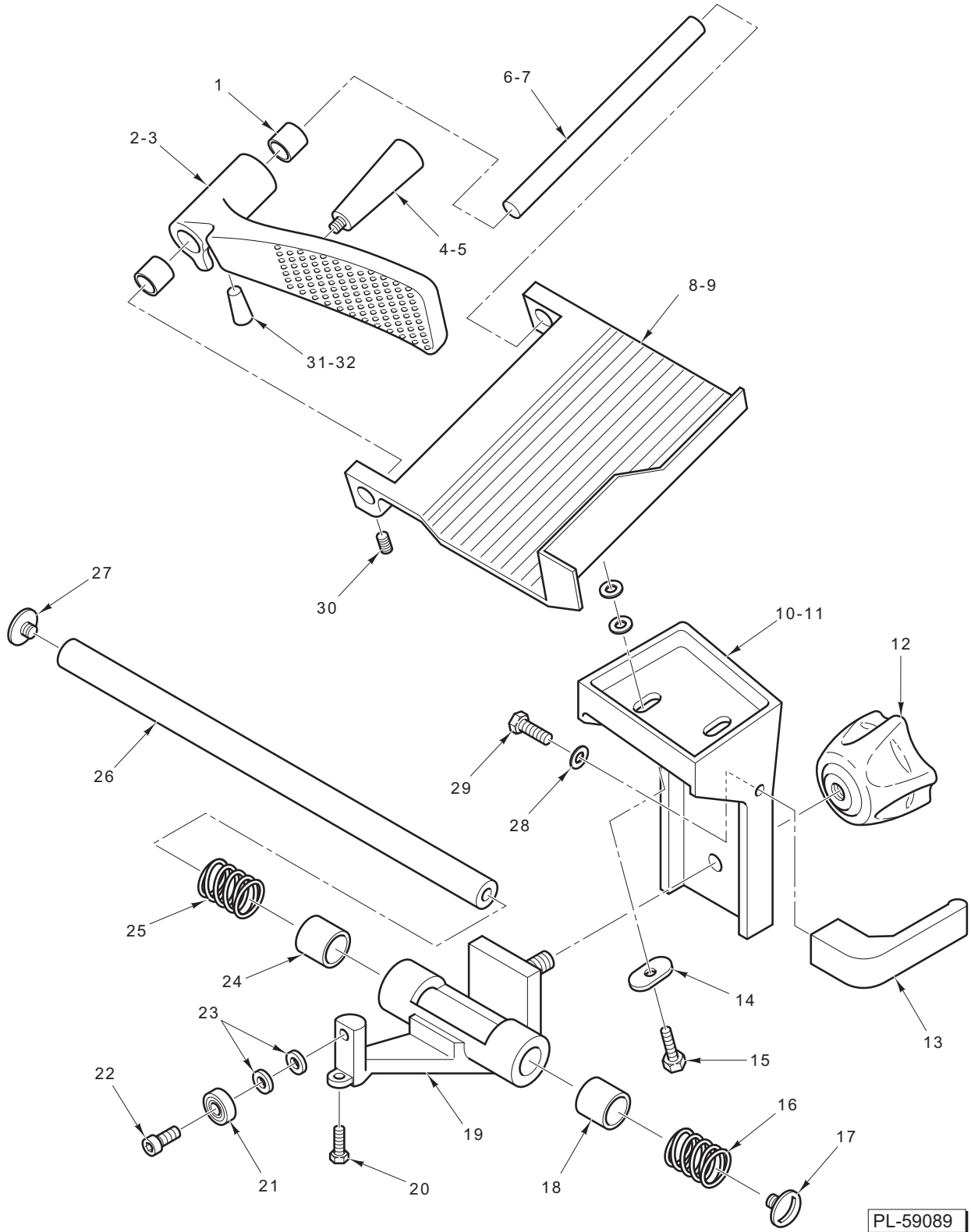


PL-59090

**ELECTRICAL AND HOUSING**

## ELECTRICAL AND HOUSING

ILLUS.	PART NO.	NAME OF PART	AMT.
PL-59090			
1	01-400825-00011	Deflector – Slicer .....	1
2	01-400825-00091	Knob – Slice Deflector .....	1
3	01-400825-0035A	Knob – Index.....	1
4	01-400823-039-1	Switch – Rocker.....	1
5	01-400827-00042	Capacitor .....	1
6	01-400825-00043	Clamp – Capacitor (823E & 825E) .....	1
7	01-400823-00407	Spacer (823E & 825E).....	1
8	01-400823-00128	Spacer (823).....	1
9	01-400825-00006	Washer.....	1
10	01-400825-00021	Screw.....	1
11	01-400823-00199	Cover (823).....	1
12	01-400823-00406	Cover (823E & 825E).....	1
13	01-400825-00021	Screw.....	2
14	01-400823-00014	Rail – Square Bar .....	1
15	01-400825-00032	Screw.....	1
16	01-403675-00224	Clamp – Cord (823E & 825E).....	1
17	01-400825-00093	Foot – Rubber (5mm Threads) .....	1
18	01-400825-093-1	Foot – Rubber (6mm Threads) .....	1
19	01-404175-00031	Cord – Power.....	1
20	01-400825-00055	Plate – Motor .....	1
21	01-400825-00006	Washer.....	1
22	01-400825-00056	Nut – Wing .....	1
23	01-400825-00006	Washer.....	2
24	01-400825-00053	Tie Rod – Motor .....	1
25	01-400825-00086	Screw - Grub.....	1
26	01-400823-00048	Motor – V Belt (823 With V Belts).....	1
27	01-400823-0048R	Motor – Ribbed Flat Belt.....	1
28	01-400825-00060	Pin.....	1
29	01-402675-00562	Clamp – Cord.....	1
30	01-400825-00066	Belt – V (2 Needed) (823).....	2
31	01-400825-0066B	Belt (Ribbed Flat Belt).....	1
32	01-400823-0075A	Tie Rod – Center Plate .....	1
33	01-400825-00086	Screw – Grub .....	1
34	01-400823-00061	Screw – Grub.....	2
35	01-402175-00387	Nut .....	1



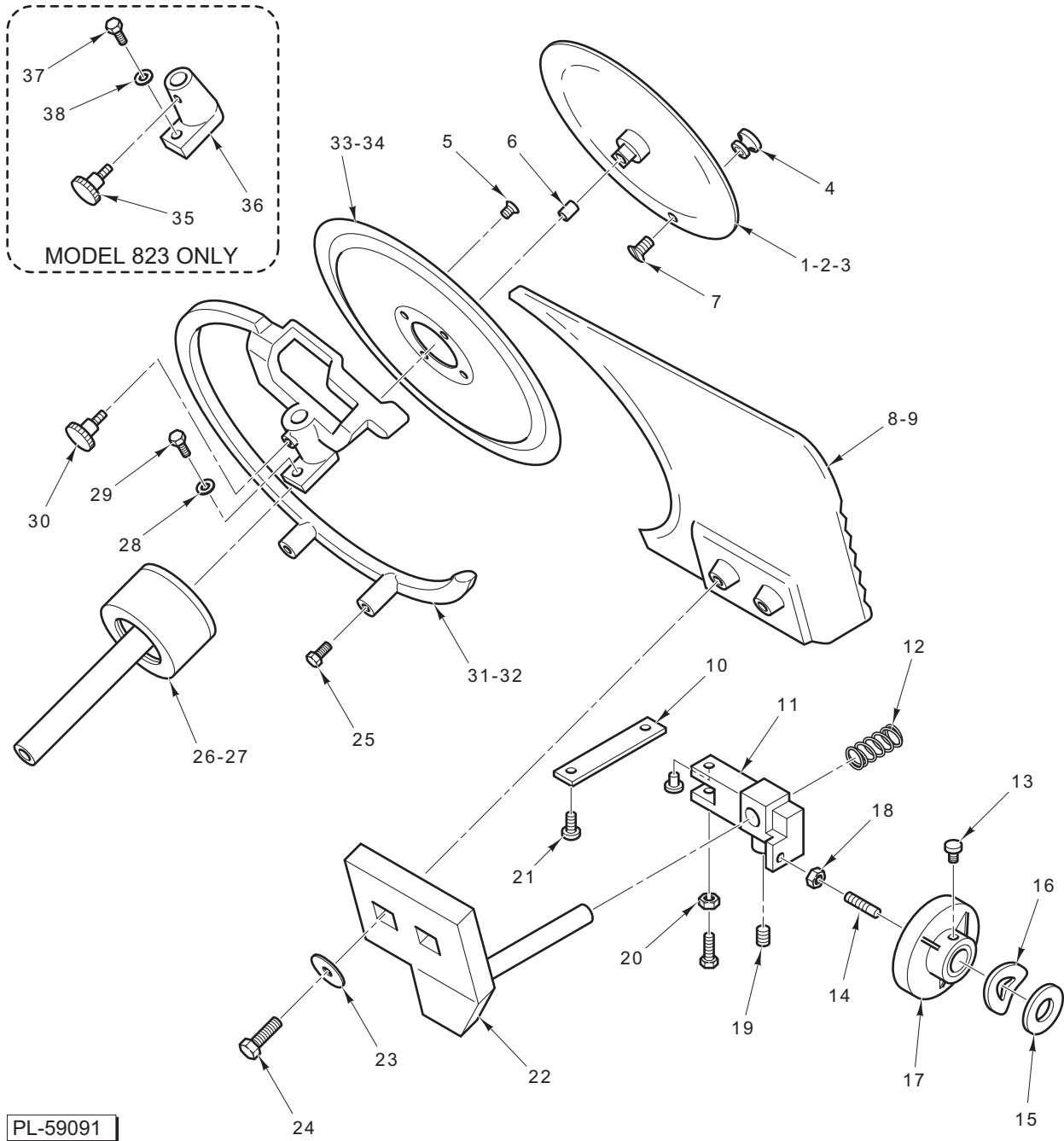
PL-59089

**MEAT TABLE AND CARRIAGE**

## MEAT TABLE AND CARRIAGE

ILLUS. PL-59089	PART NO.	NAME OF PART	AMT.
1	01-400825-00079	Bushing (2 <sup>5</sup> / <sub>8</sub> In.).....	2
2	01-400823-00009	Pusher – Complete (823 & 823E).....	1
3	01-400825-00009	Pusher – Complete (825E).....	1
4	01-400825-0080A	Handle – Pusher (Red) (7mm Threads).....	1
*5	01-400825-080-1	Handle – Pusher (Red) (8mm Threads).....	1
6	01-400825-00084	Shaft (825E).....	1
7	01-400823-00084	Shaft (823 & 823E).....	1
8	01-400823-00008	Table – Product (823 & 823E).....	1
9	01-400825-00008	Table – Product (825E).....	1
10	01-400823-00007	Support – Product Table (823).....	1
11	01-400823-00402	Support – Product Table (823E & 825E).....	1
12	01-400823-0040A	Knob – Carriage (Red).....	1
13	01-400827-0037A	Handle – Carriage (Red).....	1
14	01-400825-00131	Washer.....	1
15	01-400825-00087	Screw.....	1
16	01-400825-00020	Spring.....	1
17	01-400825-00050	Screw.....	1
18	01-400823-00218	Bushing.....	1
19	01-400823-00012	Carriage – Complete.....	1
20	01-400825-00021	Screw.....	1
21	01-400825-00015	Bearing.....	1
22	01-400825-00017	Screw.....	1
23	01-400825-00016	Washer.....	2
24	01-400823-00218	Bushing.....	1
25	01-400825-00020	Spring.....	1
26	01-400823-00013	Rail – Round.....	1
27	01-400825-00050	Screw.....	1
28	01-403301-03812	Washer.....	1
29	01-400825-00089	Screw.....	1
30	01-400825-00086	Screw – Grub.....	1
31	01-400823-00082	Pad – Wearing (823 & 823E).....	1
32	01-400827-00082	Pad – Wearing (825E).....	1

\* Use With 823E Machines Built With Serial Numbers From 25955, and 825E Machines Built With Serial Numbers from 46788.

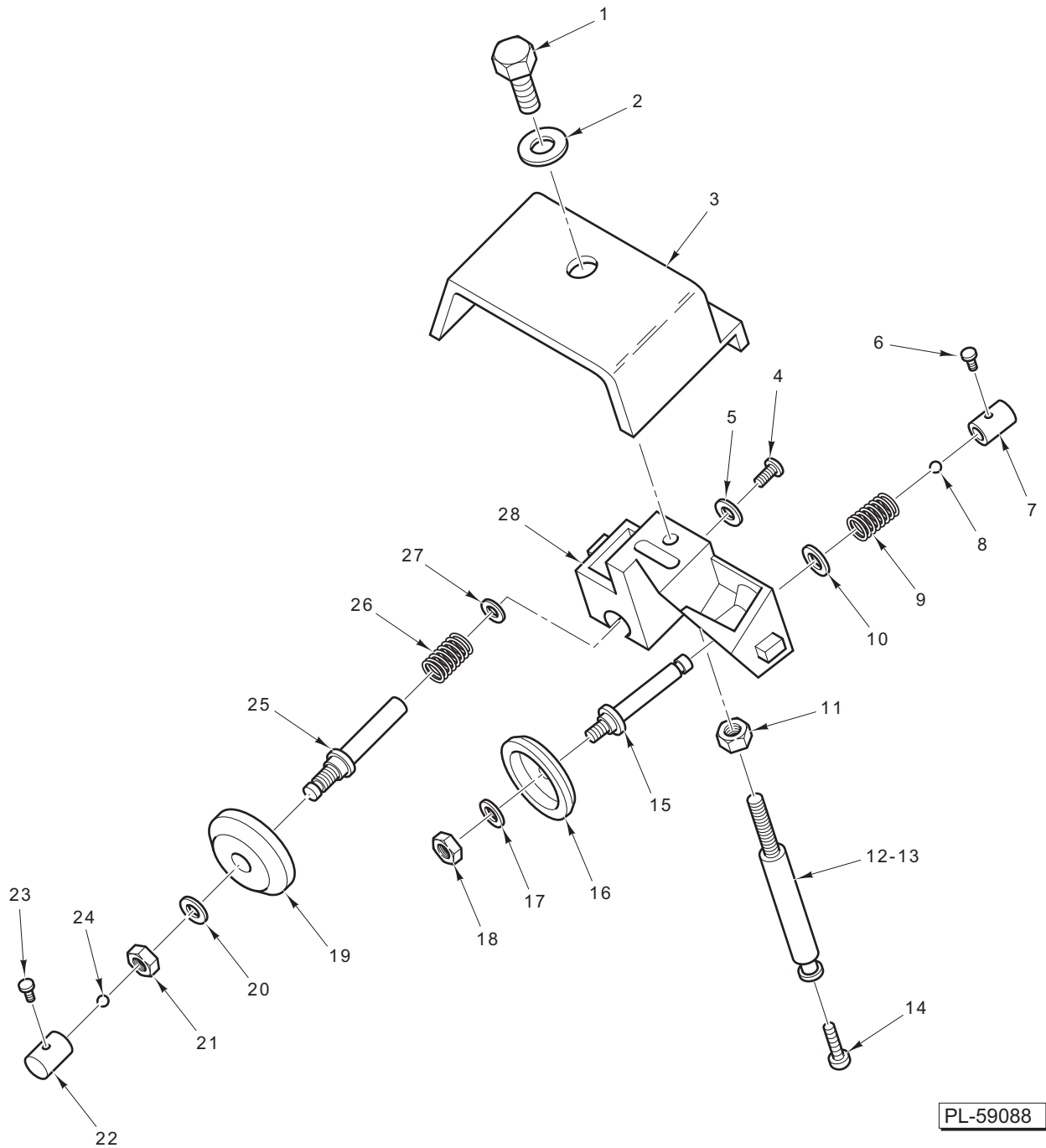


**KNIFE AND GAUGE PLATE ASSEMBLY**



## KNIFE AND GAUGE PLATE ASSEMBLY

ILLUS. PL-59091	PART NO.	NAME OF PART	AMT.
1	01-400823-00002	Plate – Center (823) .....	1
2	01-400823-00404	Plate – Center (823E) .....	1
3	01-400825-00401	Plate – Center (825E) .....	1
4	01-400823-00403	Knob – Aluminum (823E & 825E) .....	1
5	01-400825-00074	Screw – Knife .....	1
6	01-400825-00135	Insert – Center Plate .....	1
7	01-400825-00074	Screw – Knife .....	1
8	01-400823-00003	Plate – Gauge (823 & 823E) .....	1
9	01-40825A-00003	Plate – Gauge (825E) .....	1
10	01-400827-00026	Plate .....	1
11	01-400823-00022	Support – Assembly (Includes Nylon Pin and Brass Screw) .....	1
12	01-400825-00024	Spring .....	1
13	01-400825-00021	Screw .....	1
14	01-400825-00027	Pin – Cam .....	1
15	01-400823-00405	Washer (823E & 825E) .....	1
16	01-400825-00095	Washer – Spring .....	1
17	01-400825-00025	Index Cam .....	1
18	01-402175-00387	Nut .....	1
19	01-400825-00031	Screw – Grub .....	1
20	01-400823-00029	Nut .....	1
21	01-400825-00032	Screw .....	1
22	01-400823-00004	Plate – Gauge Support .....	1
23	01-400825-00006	Washer .....	1
24	01-400825-00089	Screw .....	1
25	01-400825-00021	Screw (823E & 825E) .....	1
26	01-400823-067-1	Pulley Assembly (Flat Belt) .....	1
27	01-400823-00067	Pulley Assembly (2 V Belts) (823) .....	1
28	01-400823-00123	Washer .....	1
29	01-400825-00101	Screw .....	1
30	01-400827-0103A	Knob (Red) .....	1
31	01-400825-00408	Guard – Ring (825E) .....	1
32	01-400823-00408	Guard – Ring (823E) .....	1
33	01-400825-00073	Knife (825E) .....	1
34	01-400823-00073	Knife (823 & 823E) .....	1
35	01-400827-0103A	Knob (Red) .....	1
36	01-400825-00100	Support – Sharpener (823) .....	1
37	01-400825-00101	Screw .....	1
38	01-400823-00123	Washer .....	1



**SHARPENER ASSEMBLY**

## SHARPENER ASSEMBLY

ILLUS. PL-59088	PART NO.	NAME OF PART	AMT.
1	01-400825-00122	Screw.....	1
2	01-400823-00123	Washer.....	1
3	01-400823-00400	Cover – Sharpener.....	1
4	01-402101-02109	Screw.....	1
5	01-403301-03812	Washer.....	1
6	01-400825-00118	Screw.....	1
7	01-400823-00401	Button – Push.....	1
8	01-402375-00150	Ball 1/8.....	1
9	01-400825-00117	Spring.....	1
10	01-403301-03812	Washer.....	1
11	01-402101-07041	Nut.....	1
12	01-400823-00104	Shaft – Sharpener (823 & 823E).....	1
13	01-400825-00104	Shaft – Sharpener (825E).....	1
14	01-400825-00021	Screw.....	1
15	01-400825-00109	Shaft.....	1
16	01-400825-00112	Stone.....	1
17	01-403301-03812	Washer.....	1
18	01-402175-00387	Nut.....	1
19	01-400825-00112	Stone.....	1
20	01-403301-03812	Washer.....	1
21	01-402175-00387	Nut.....	1
22	01-400825-00115	Button – Push.....	1
23	01-400825-00118	Screw.....	1
24	01-402375-00150	Ball.....	1
25	01-400825-00110	Shaft.....	1
26	01-400825-00117	Spring.....	1
27	01-403301-03812	Washer.....	1
28	01-400825-00108	Frame – Sharpener.....	1
	01-40823E-00130	Sharpener Assy. With Cover (823 & 823E).....	1
	01-40825A-00130	Sharpener Assy. With Cover (825E).....	1

