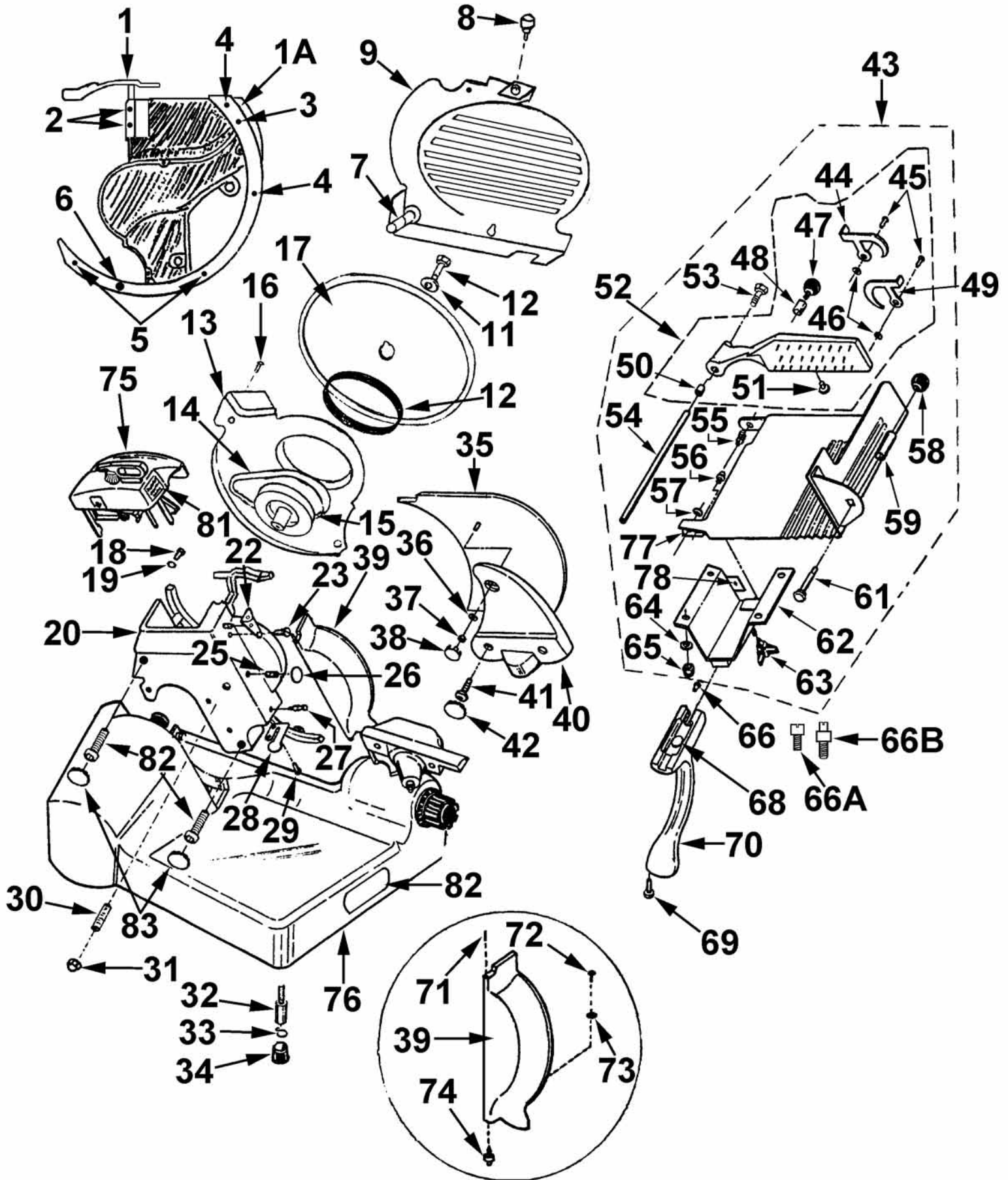


Sharpener Assembly Parts List

Item	Description	Part Number
N/S	sharpener assy. w/o cover	4675-00851
	sharpener assy. w/ cover assy. no upper guard	4675-00853
	**sharpener assy. w/ cover assy. & upper guard	4975-00409
1	screw	2175-00382
2	stop clip	3475-00792
3	nut	2175-00387
4	washer	2275-03040
5	inside stone (deburring)	3675-00075
6	outside stone (sharpening)	3675-00076
7	nut (LH)	2175-00388
8	spindle bearing	3375-01123
9	ball	2375-00150
10	outside spindle (sharpening)	3375-01119
11	inside spindle (deburring)	3375-01118
12	adjusting plate	3475-00789
13	washer	2275-03040
14	screw	2175-00384
15	washer	2275-01037
16	link screw	3375-01121
17	handle w/ decal	4575-00832
18	knob, alum (lockdown nut)	3375-01101
19	cover only	3775-00389
	**cover only with upper guard	4975-00407
20	cover assy.	4675-00852
	**cover assy. with upper guard	4975-00408
21	arrow decal	3175-00028
22	screw	2175-00397
23	groove pin	2275-00220
24	retaining ring	2275-00445
25	sharpener frame	3675-00236
26	nut	2175-00386
27	bolt	2175-00385
28	spring	3275-00210
29	spring	3275-00212
30	spindle	3375-01120
31	lever assy. w/ spring	4375-00200
33	retaining ring	2275-00444
34	washer	2275-00451
36	washer (rubber)	3275-00042
38	link	3475-00791
39	retaining ring	2275-00443
41	washer	2275-00441
42	screw	2175-00382
N/S	sharpener maint. kit	4975-00375
** kit to upgrade to 909/1 & 919/1 "T" shaped upper knife guard		

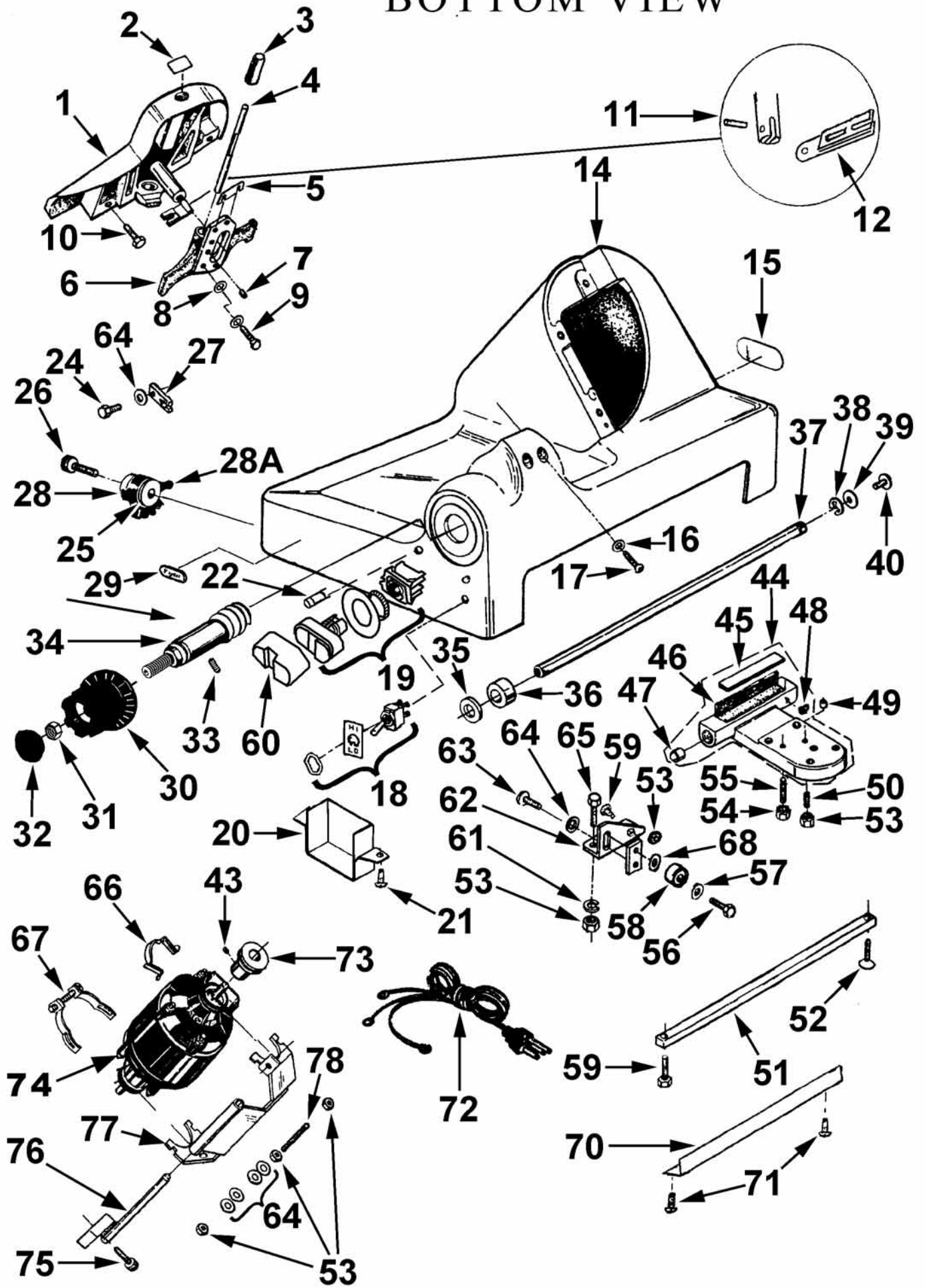
TOP VIEW



TOP VIEW

Item	Description	Part Number	Item	Description	Part Number
1	upper guard(909/1 "T" shaped)	3775-00442	42	hole cover (small)	3675-00072
	upper guard (909 "L" shaped)	3775-00443	43	product table complete	4675-00915
	screw, adjustment (not shown)	2175-03320		table complete w/ ergo handle	4675-00916
1A	lower guard	3775-00441	44	hook (LH)	3475-00164
	lower guard, assy. (1, 3 & 6)	4575-00831	45	screw	3375-00333
2	screw, tamper proof	2175-00374	46	spring washer	3275-00043
3	pin center plate	3375-01077	47	knob	2275-00043
4	pad upper, old style only	3875-00140	48	spacer	3375-00244
5	pad lower, old style only	3875-00139	N/S	handle, pusher 2lbs.	3375-01065
6	post center plate	3375-01073		set screw, 3/8-16 X 3/4 for above	2175-07175
7	magnet assy.	4175-00436	49	hook (RH)	3475-00163
8	plunger center plate, assy.	2375-00139	50	bushing	2275-00045
9	center plate assy. (w/ 7 & 8)	4675-00823	51	pad, wear	3875-00123
10	knife bolt, 7/16-20 X 5/8	3375-01072	52	pusher assy. Complete	4675-00662
11	knife washer	3475-00781	53	truss head screw	2175-03452
12	cover ring	3875-00025	54	shaft	3375-00242
13	knife box cover	3475-00765	55	compression spring	3275-00029
14	knife belt (flat, 60 Hz)	2375-00141	56	lock pin (plastic, push on)	3875-00022
	knife belt (flat, 50 Hz)	3375-00142		guide, pusher (metal screw on)	3375-01149
15	knife pulley bearing assy.	4375-00192		screw for above	2175-03441
16	screw knife box cover	2175-03452		washer, for above	3275-00111
17	knife, SS	3675-00070	57	s/s washer	2275-00438
	knife, Silver Standard	3675-00275	58	knob	2275-00042
18	knife box bolts	2175-03063	N/S	ergonomic handle	3875-00148
19	knife box washers	2275-03065	N/S	ergonomic handle bracket	3475-00811
20	knife box assy.	4675-00856	N/S	screw, drive in for bracket above	2275-00066
21	pin upper hinge	2275-01122	N/S	ergonomic handle & bracket	4575-00836
22	upper hinge	3475-00156	N/S	ergonomic handle kit	4975-00360
23	screw upper hinge	2175-03641	59	spacer	3375-00243
25	set screw	2175-07152	60	product table	4575-00847
26	cover plate	3475-00162		product table for ergo handle	4575-00848
27	pin	3375-00291	61	bolt 3/8 x 1/2	2175-03277
28	lower hinge	3475-00363	62	bracket, w/ storage pin	4675-00962
29	screw #10 x 3/8	2175-03441	63	knob	2275-00063
30	setscrew	2175-05154	64	washer	2275-03050
31	acorn nut	2175-07052	65	cap nut	2175-07052
32	shoe post 909	4575-00208	66	plug (old style)	3375-00309
	shoe post 919	4575-00117		setscrew (old style)	2175-05143
	4" shoe post 909	4575-00307	66A	pin, table adjustment	3375-01182
	4" shoe post 919	4575-00178	66B	pin, table adjustment	3375-01147
	4" set of 4 posts 909	4975-00024	68	plug	3475-00080
	4" set of 4 posts 919	4975-00025	69	screw socket HD	2175-01765
	lift kit shoe post	4575-00823	70	support arm	4975-00371
33	foot post hook	3275-00059	71	upper pin	2275-00065
34	shoe rubber	3675-00061	72	rivot	2275-00066
35	gauge plate	4575-00808	73	washer	2275-03020
N/S	gauge plate assembly	4675-00822	74	lower pin	3375-00311
36	washer 1/4	2275-03050	75	sharpener w/ cover & guard	4975-00409
37	nut 1/4	2175-05051	76	base	3775-00365
38	hole cover (large)	3675-00071	77	bracket pusher	3475-00132
39	slice deflector, gray plastic	3875-00138	78	clip lock pin (old style)	2175-00435
	slice deflector, black plastic	3875-00134	79	pin, pusher storage	2175-00435
	thumb screws for above	2275-00221	80	bracket knob	3475-00133
40	gauge plate support	3775-00147	N/S	ergonomic handle bracket	3475-00811
41	screw 5/16 x 1	2175-01764	81	instruction label 919	3175-00572
			82	logo, Berkel	3175-00152

BOTTOM VIEW

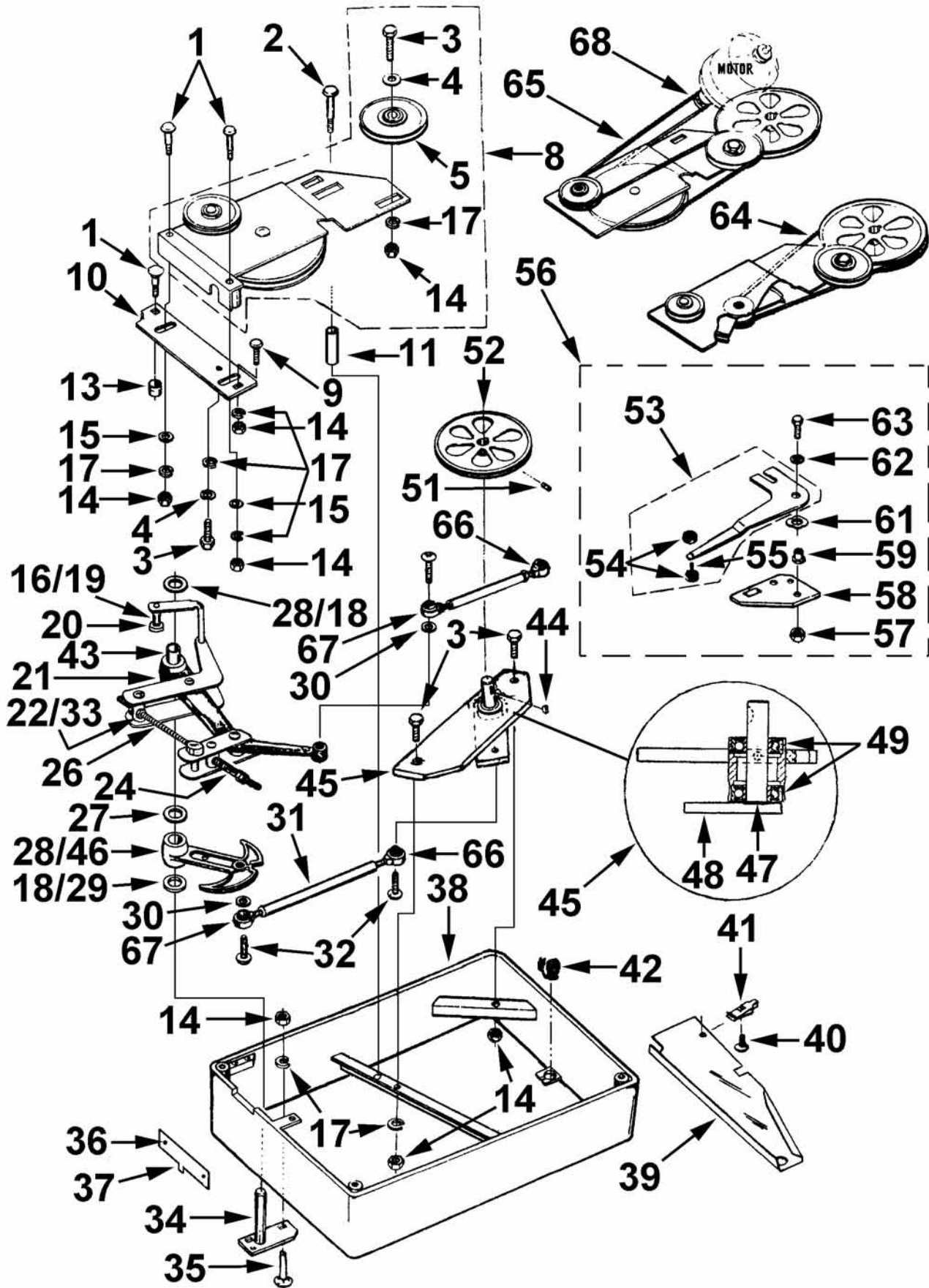


BOTTOM VIEW

Item	Description	Part Number
1	gauge plate support	4675-00821
2	slide rod plate	3475-00162
3	bushing	2275-00058
4	slide rod	3375-00296
5	shim	3275-00044
6	base gauge plate	3775-00146
7	set screw	2175-05155
8	lock washer	2275-03050
9	screw 1/4 x 1-1/4	2175-01054
10	screw 1/4 x 1	2175-00097
11	pin	2275-01131
12	index link	4575-00101
13	housing	3775-00365
14	instruction label	3175-00543
15	name plate	3175-00152
16	washer	2275-03050
17	screw 1/4-20 x 1-1/4	2175-03858
18	toggle switch assy., DPTT	2675-00680
19	pushbutton (oval)	2675-00801
	shim (lg. Washer)	09175-30
	ring, mounting (lg. Nut)	2175-00434
	latch/contact block (oval)	2675-00800
	pushbutton kit (4 items above)	4975-00404
	pushbutton & boot (oval)	4175-00575
	boot (oval)	3675-00259
	pushbutton (rectangle)	2675-00653
base/contact block (rectangle)	2675-00665	
boot (rectangle)	3675-00232	
20	switch box cover	3875-00137
21	switch box cover screw	2175-00375
22	pilot light	2675-00669
23	lock washer 5/16	2275-01055
24	bolt 5/16 x 1/2	2175-01060
25	bushing	3375-01070
26	screw 3/8 x 1-1/4	2175-01775
27	clamp, index link	3375-00298
28	gear segment assy.	4375-00196
	gear segment, 25 & 28	4975-09280
28A	gear segment pin	3375-01102
29	name plate	3175-00152
30	index knob	3875-00151
	index knob kit, 30 & 32	4975-09506
31	nut 1/2"	2175-00121
32	plug 1-1/4	2275-00414
33	setscrew	2175-05163
34	worm gear assembly	4675-00336
35	rubber washer	3275-00045
36	rubber bumper	3275-00046
37	round rail	3375-00091

Item	Description	Part Number
38	snap ring	2275-00092
39	washer	3275-00047
40	screw #10 x 1/2	2175-03442
41	spring	3275-00061
42	spring hook	3275-00060
43	setscrew	2175-05152
44	carriage assembly	4675-00473
45	carriage cover	3475-00169
46	oil wick	3275-00035
47	bushing 7/8	2275-00053
48	oil hole cover	2475-00003
49	plug	3375-00336
50	setscrew	2175-00381
51	rail, square	3375-00305
52	flat HD screw 4/15 x 1-1/4	2175-01665
53	nut 5/16	2175-05060
54	nut, locking #10	2175-00107
55	setscrew FP #10 (adjustment)	2175-00106
57	washer	2275-00091
58	roller bearing assembly	4375-00031
59	bolt 5/16 x 1-1/4	2175-01065
60	switch boot (rectangle)	3675-00232
	switch boot (oval)	3675-00259
61	lockwasher	2275-03065
62	bracket	3375-00304
63	screw 5/16 x 1/2	2175-01862
64	flat washer 5/16	2275-01061
65	bolt 5/16 x 7/8	2175-03063
66	motor clip	3275-00039
67	motor clamp	2275-00087
68	washer	3375-00131
69	roller adjusting bracket	3375-00306
70	cord cover	3475-00702
71	screw (self tapping)	2175-00105
72	power cord NEMA-5-15P	4175-00031
	retractable power cord	4175-00582
73	motor pulley, 60Hz	3375-01099
	motor pulley, 50Hz	3375-01100
N/S	fan	2375-00137
N/S	cover for fan	3875-00146
74	motor 115V (kit, 1/3 to 1/2 H.P.)	4975-00386
	1/2 hp motor (only)115V	4175-00511
	motor 220V 50Hz	4175-00431
75	bolt	2175-01760
76	pivot assembly motor	4575-00097
77	motor mount	4575-00805
78	thread rod	2175-00378
N/S	switch, motor starting	4975-00349

POWERSTROKE



POWER STROKE

Item	Description	Part Number
N/S	Power Stroke Complete	4975-00368
1	bolt 5/16 x 2	2175-01267
2	bolt 5/16 x 3-1/2	2175-01270
3	bolt 5/16 x 1-1/2	2175-01065
4	washer	2275-01061
5	idler pulley	4375-00137
8	pulley & pulley assembly	4675-00811
9	bolt 5/16 x 3/4	2175-03062
10	bracket	3475-00324
11	spacer	3375-01088
13	spacer	3375-00223
14	nut 5/16	2175-05060
15	washer 5/16 flat	2275-01060
16	roller	3275-00024
17	lockwasher 5/16	2275-03065
18	washer 1/2" hole	3275-00018
19	bushing	3275-00023
20	rivet	2275-00029
21	drive arm assembly	4375-00188
22	nut #10	2175-05040
24	spring	3275-00084
26	control rod	3375-00227
27	washer, plastic, 7/8" hole	3275-00032
28	arm, w/ 46	4375-00193
29	shim, plastic 1/2" hole	3275-00128
30	washer	2275-00028
31	rod & brg assy. (long)	4375-00197
32	screw 5/16 x 7/8"	2175-01863
33	shim	09664-60
34	plate & shaft	4575-00075
35	bolt 5/16 x 1-1/4	2175-01264
36	drive screw	2175-00424
37	shift plate assy	4575-00866
	stroke plate, part of 37	3175-00571
	shift plate, part of 37	3475-00835
38	auto base	3775-00366
39	shield	3475-00783
N/S	cover for fan if so equipped	3875-00146
40	screw	2175-03442

Item	Description	Part Number
41	speed nut	2275-00123
42	strain relief	2675-00562
43	bushing	2275-00021
44	key	3275-00006
45	crank assy. (complete)	4375-00191
46	bushing (arm)	2275-00022
47	washer	3275-00010
48	crank assembly	4375-00189
49	ball bearing	2375-00010
50	rod & brg. Assy. (short)	4675-00840
51	set screw 1/4 x 5/16	2175-05152
52	pulley	3775-00373
53	shift lever assy. (complete)	4575-00865
54	knob (sold each, need 2)	3875-00026
55	pin	2275-00051
56	shift lever & bracket assy.	4675-00925
57	nut 1/4"	2175-00265
58	bracket	3575-00063
59	spacer	3375-01151
61	spring washer 7/16"	3275-00025
62	washer	2275-00408
63	bolt 1/4"	2175-00210
64	belt poly V4	2375-00138
65	belt, round	2375-00133
66	bearing assy. L/H	2375-00144
67	bearing assy. R/H	2375-00143
68	motor pulley auto drive, 60Hz	3375-01083
	motor pulley auto drive, 50Hz	3375-01084
	motor pulley auto drive, FS	3375-01222
parts for shift lever with detent system		
53	shift lever assy. (complete)	4575-00314
N/S	detent plate	3475-00782
	plunger assembly	2375-00030
	nut	2175-05071
37	indicator plate	3175-00571
N/S	spacer, long (for control rod)	3375-00438
	spacer, short (for control rod)	3375-00439

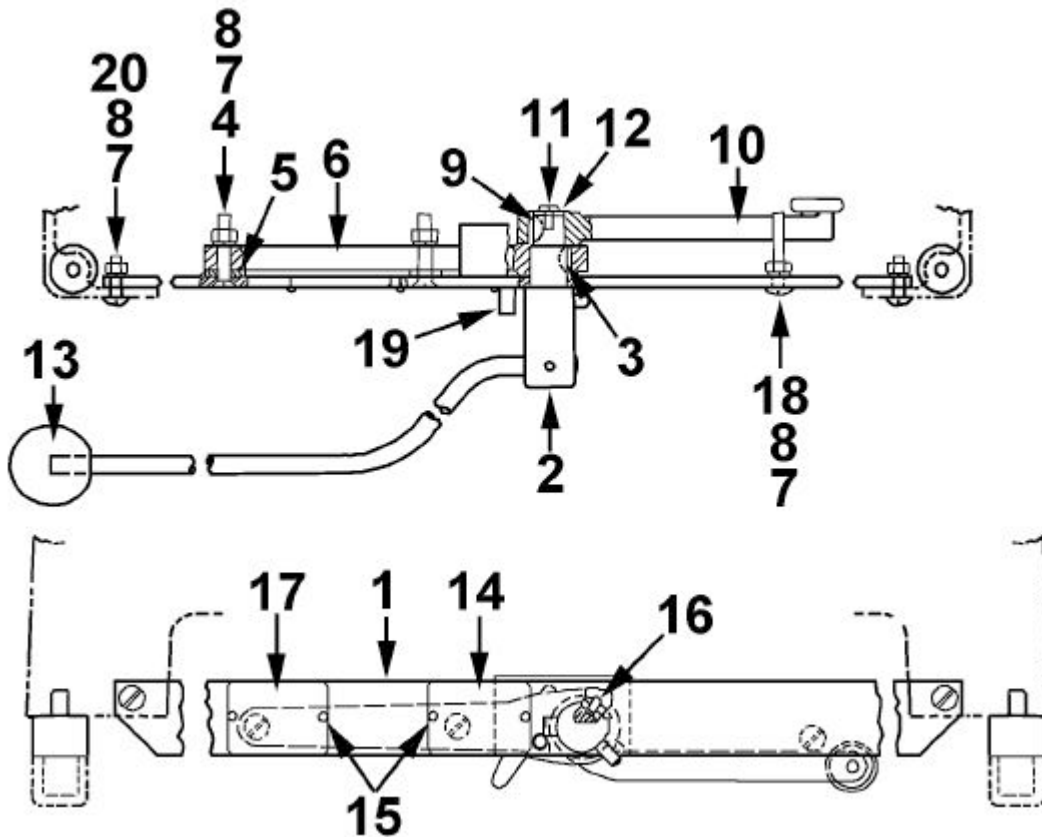
909/919 Electrical

Item	Description	Part Number
1	speed selector switch	2675-00680
2	speed switch cord assembly	4175-00433
3	motor overload wire	2675-00660
4	motor common wire	2675-00661
5	motor ground wire	2675-00666
6	power cord assembly	4175-00031
7	proximity switch	4175-00437
8	control cord assembly	4175-00505
9	relay socket assembly	4975-00383
10	pilot light	2675-00669
11	pilot light wire	2675-00670
12	power switch jumper	2675-00662
13	pushbutton contact block	2675-00800
14	spacer, hex #8 - 32x7/8"	2275-00448
15	lock washer, #8	2275-01037
16	screw #8 - 32x3/8"	2175-03431
17	screw #6x1/2"	2175-01322
18	nut, hex #6	2175-05020
19	relay socket bracket	3675-00228
20	relay 115VAC	2675-00753
	relay 220VAC	2675-00657
21	terminal block cover	3675-00229
N/S	schematic decal	3175-00579
23	motor start switch	4975-00349
24	relay sock.cov.w/schem. Decal	3675-00229
N/S	mercury switch	2675-00646

909 Lift Assembly

4975-00348

Item	Description	Part Number	Item	Description	Part Number
1	ratchet bracket	4575-00824	11	screw	2175-03341
2	handle assy.	4575-00825	12	shim	9405-30
3	key	10308	13	knob	2275-00042
4	screw	2175-03657	14	lever plate	3175-00613
5	spacer	2275-00437	15	drive screw	2175-00257
6	ratchet	2375-00145	16	set screw	2175-05143
7	lock washer	2275-03055	17	instruction plate	3175-00618
8	hex nut	2175-07050	18	screw	2175-03457
9	key	3275-00006	19	handle stop pin	3375-01197
10	lift arm assy.	4375-00199			



919 Lift Assembly

4975-00350

Item	Description	Part Number	Item	Description	Part Number
1	ratchet cover	3475-00787	11	screw	2175-03341
2	handle assy.	4575-00826	12	shim	9405-30
3	key	10308	13	knob	2275-00042
4	screw	2175-03457	14	lever plate	3175-00613
5	spacer	2275-00439	15	drive screw	2175-00257
6	ratchet	2375-00145	16	set screw	2175-05143
7	lock washer	2275-03055	17	instruction plate	3175-00618
8	hex nut	2175-07050	18		
9	key	3275-00006	19		
10	lift arm assy.	4375-00198	20	screw	2175-03455

