



30 Pine Street • New Rochelle • New York • 10801

914 / 576 - 0200

914 / 576 - 0605 fax

1 - 800 - 431 - 2745 US & Canada

www.bakerspride.com web address

ELECTRIC COUNTER TOP SERIES OLD STYLE

PARTS LIST

**THIS PARTS LIST PERTAINS
TO THE FOLLOWING UNITS:**

MOS2E

KOS1

DPOCS

P-24S

DP-2

BOCS

P-22S

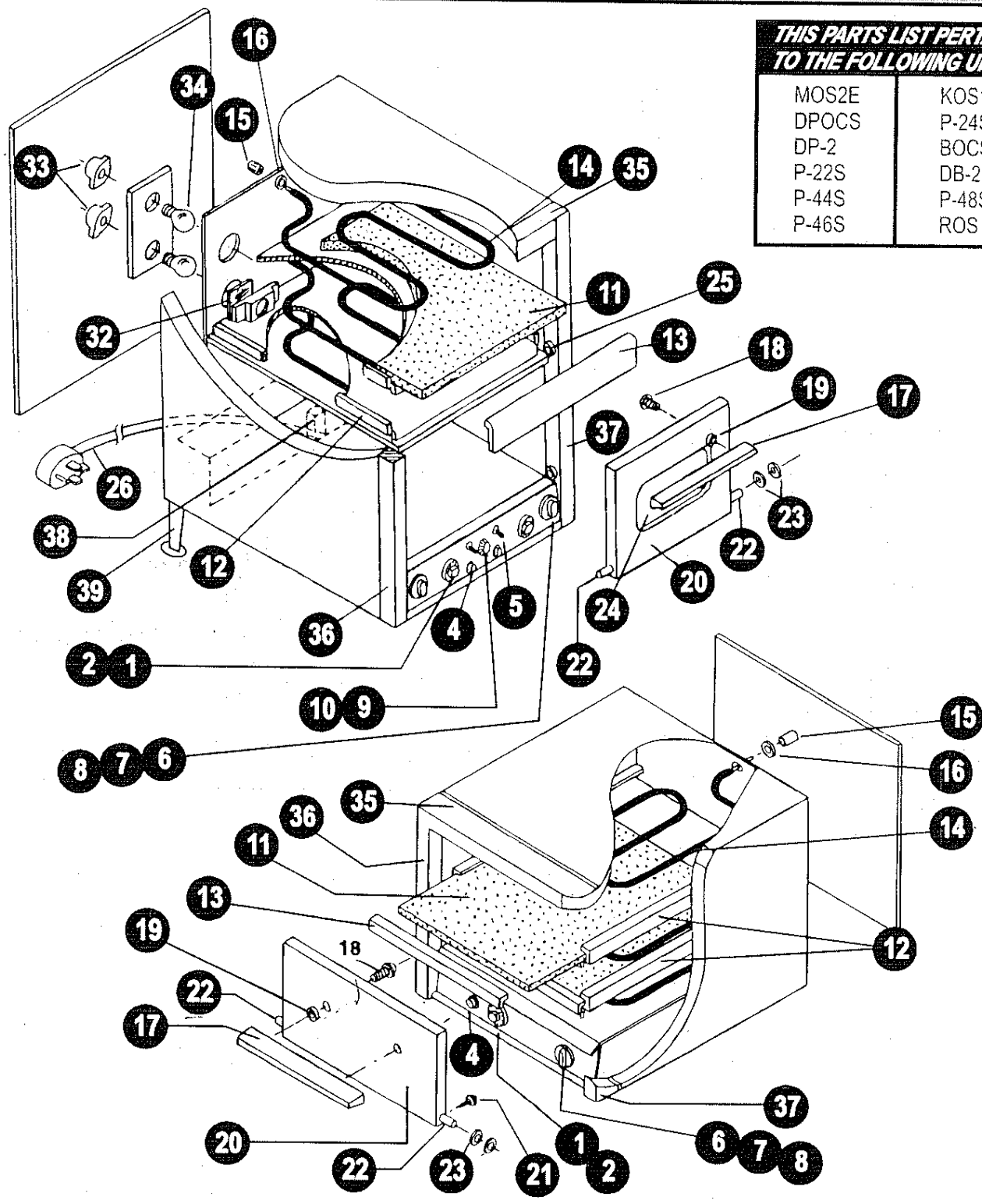
DB-2

P-44S

P-48S

P-46S

ROS



Note: When ordering, ALWAYS specify Part #, Model #, Serial # and Voltage/Phase.



30 Pine Street • New Rochelle • New York • 10801
 914 / 576 - 0200
 914 / 576 - 0605 fax
 1 - 800 - 431 - 2745 US & Canada
 www.bakerspride.com web address

ELECTRIC COUNTER
TOP SERIES
OLD STYLE

Item	Part Number	Description	Model (Notes)
1-2	M1098X M1342X M1031X M1019X	Thermostat, EGO 400°C Thermostat, 250°C (For Outback) Thermostat Thermostat, SJ-36 650°F w/Knob	LO MO, POC, LO, KO, DPOC
	M1113X M1020X M1092X M1022X	Thermostat, SJ-36 370°C w/Knob Thermostat, SJ-36 550°F w/Knob (Replaced By: M1110X) Thermostat, SJ-36 300°C w/Knob Thermostat, SJ-72 650°F w/Knob	MO, POC, LO, KO, DPOC BOC, RO BOC, RO P22, P44, P46
	M1094X M1021X M1110X M1111X	Thermostat, SJ-72 370°C w/Knob Thermostat, D1B 650°F w/Knob, Bezel & Pilot Light Thermostat, SJ-72 550°F w/Knob Thermostat, SJ-72 300°C w/Knob	P22, P44, P46 O/S P24, P46, P48 (Not for DP-2) P24, P46, P48 (Not for DP-2)
	M1032X M1097X M1098X S1053A	Thermostat, D1G 550°F w/Knob Thermostat, D1G 300°C w/Knob Thermostat, 380V, 3 Phase (or 208V, 3 Phase) w/Knob Thermostat Knob, S/D1A 650°F	O/S O/S Special P22, P24, P44, P46, P48, DPOC MO, POC, KO, DPOC, P22, P44, P46
2	S1036A S1055A S1037A S1054A	Thermostat Knob, S/D1A 150-370°C Thermostat Knob, S/D1G 550°F Thermostat Knob, S/D1G 300°C Thermostat Knob, S/D1B 650°F	MO, POC, KO, DPOC, P22, P44, P46 BOC, RO, P24, P46, P48 BOC, RO, P24, P46, P48 O/S D1B
4	P1127X P1054A	Indicator Light, Amber, 1/2" Diameter (Old # P1002A) Indicator Light, 1/2" Diameter, 380+Volt Units	All 380+V: P22, P24, P46, P44, P48
5	M1026X M1037X	On/Off Toggle Switch w/Screw Terminals On/Off Toggle Switch w/Slip-On Terminals	O/S P44, P46, P48 w/Lights P44, P46, P48 w/Lights
NS	M1037X	On/Off Toggle Switch - Top Heat w/Slip-On Terminals	BOC
NS	S1038A	Insulated Cover (Boot) for Toggle Switch	Special P44, P46, P48
6-8	M1017X	Timer, 15 Minutes w/Knob & Plate	MO, POC, DPOC, P22, P44, P46
6-8	M1018X	Timer, 60 Minutes w/Knob & Plate	KO, BOC, P24, P46, P48
6-8	M1035X	Timer, Electro-Mechanical	BOCS
7	S1052A	Timer Knob	All
8	S1025A S1026A	Timer Plate, 15 Minutes Timer Plate, 60 Minutes	15 Minute Timers 60 Minute Timers
9	P1065A P1008A	Fuse, 15 Amp Fuse, 20 Amp	P44, P46, P48 w/Lights O/S P44, P46, P48 w/Lights
10	P1064A P1007A	Fuse Holder, 15 Amp w/Cap Fuse Holder, 20 Amp w/Cap	P44, P46, P48 w/Lights O/S P44, P46, P48 w/Lights
11	T1120Y T1120X T1121Y T1121X	Hearth Baking Deck 17 3/4 x 17 1/2 x 1/2" (Each) Hearth Baking Deck 17 3/4 x 17 1/2 x 1/2" (Set of 2) Hearth Baking Deck 20 13/16" x 20 13/16" x 1/2" (Each) Hearth Baking Deck 20 13/16" x 20 13/16" x 1/2" (Set/2)	MO MO P22, P44, DP-2 P22, P44, DP-2
NS	T1019X	Steel Baking Deck	P46
NS	T3127T	Intermediate Rack	KO
NS	T3139X	Intermediate Rack	P24



30 Pine Street • New Rochelle • New York • 10801
 914 / 576 - 0200
 914 / 576 - 0605 fax
 1 - 800 - 431 - 2745 US & Canada
 www.bakerspride.com web address

ELECTRIC COUNTER
TOP SERIES
OLD STYLE

Item	Part Number	Description	Model (Notes)
12	D3046T	Hearth Pan, 1/2"	MO
	D1022T	Hearth Pan, 1/2"	P22, P44, P46
	D3554T	Hearth Pan, 1/2" (Top Only)	DPOC
	D3566T	Hearth Pan, 1/2" (Bottom Only)	DPOC
13	D3048K	Hearth Deck Front Trim 1/2" w/Screws	MO
	D1023K	Hearth Deck Front Trim 1/2" w/Screws	P22, P44, P46
HEATING ELEMENTS w/HARDWARE: CERAMIC WASHERS, CAPS, TERMINAL NUTS OR SCREWS T = TOP C = CENTER B = BOTTOM O/S = OLD STYLE			
14-16	L1013X	800W, 208V Element-Bushing Type	LO/C
	L1015X	500W, 220V Element-Bushing Type	POC, BOC/T & O/S MO/T
	L1017X	1275W, 220V Element-Bushing Type	O/S MO/B
	L1021X	1100W, 208V Element-Bushing Type	POC, BOC/B & C
	L1022X	1100W, 220V Element-Bushing Type	P20/T&B & POC, BOC/B&C
	L1024X	600W, 115V Element	MO/T,C,B
	L1025X	850W, 220V Element	MO/T
	L1112X	850W, 200V Element (Special)	MO
	L1026X	1000W, 208 or 220V Element	MO/C&B
	L1113X	1000W, 200V Element (Special)	MO
	L1027X	800W, 115V Element	KO/T&B
	L1028X	800W, 220V Element	KO/T&B
	L1142X	1000W, 208V Element	DPOC/T
	L1143X	1500W, 208V Element	DPOC/C
	L1144X	1500W, 208V Element	DPOC/B
	L1145X	1000W, 230V Element	DPOC/T
	L1146X	1500W, 230V Element	DPOC/C
	L1147X	1500W, 230V Element	DPOC/B
	L1034X	1450W, 230V Element	P22, P44, P46/C
	L1035X	1075W, 230V Element	P22, P24, P44, P46, P48/T&B
	L1071X	1450W, 208V Element	P22, P44, P46/C
	L1072X	1075W, 208V Element	P22, P24, P44, P46, P48/T&B
	L1036X	1450W, 380V Element	P22, P44, P46/C
	L1037X	1075W, 380V Element	P22, P24, P44, P46, P48/T&B
NS	L1069X	1450W, 415V Element	P22, P44, P46/C
	L1070X	1075W, 415V Element	P22, P24, P44, P46, P48/T&B
	Q4021A	Clip, Temperature Probe	All
15	S1061A	Element Terminal End Cap	All
16	P1019A	Insulated Element Washer	All
17-19	S1129X	Door Handle w/Spacers & Screws	P44, P46, P48
	S1130X	Door Handle w/Spacers & Screws	All except: P44, P46, P48
	S1233X	Door Handle High-Heat (Auntie Anne's)	P-44
19	S1316X	Door Handle w/Screws (Starting 10/19/98)	All
	S1162X	Spacer for Door Handle (Each)	All



30 Pine Street • New Rochelle • New York • 10801
 914 / 576 - 0200
 914 / 576 - 0605 fax
 1 - 800 - 431 - 2745 US & Canada
 www.bakerspride.com web address

ELECTRIC COUNTER
TOP SERIES
OLD STYLE

Item	Part Number	Description	Model (Notes)
20-23	D3019W D3514W D1005W	Door w/SS Front, w/Rods, Washers, No Handle Door w/SS Front, w/Rods, Washers, No Handle Door w/SS Front, w/o Window, w/Rods, Washers, No Handle	MO, KO POC, BOC, RO, DPOC P22, P24, P44, P46, P48
20-24	D2001W	Door w/SS Front, w/Window, w/Rods, Washers, No Handle	P22, P24, P44, P46, P48
21-23	D3106X	Door, Complete w/Handle	P18
23	S3001W	Door Rod w/Screws & Spacers	All
24	Q3021Y	Door Rod Spacer Kit	All
	S1020A	Window Assy 1 9/16" (Optional)	P22, P24, P44, P46, P48
25	S3019A	Door Bushings	P46, P48
26	P6004A	Line Cord & Plug, 115V, 15A	All 115 Volt
	P6005A	Line Cord & Plug, 220V, 15A	220V w/Cord Except: P22, P24, P44, P46, P48
	P6009A	Line Cord & Plug, 220V, 20A	P22
32	P6007A	Line Cord & Plug, 208/240V (1 Phase Only)	P46, P48
	P6008A	Line Cord & Plug, 208/240V (1 Phase Only)	P44
	S1028A	Light Cover Glass 3 3/8" Square (Old Style)	Optional, P44, P46, P48
	P1124X	Light Cover Glass (Round) (New Style)	
33	P1005X	Light Socket	Optional, P44, P46, P48
34	P1122X	Light Bulb 250V, 40W, (Ping Pong, Clear, Small Base)	Europe & Current Domestic Ovens
	P1020A	Light Bulb, 120V, 40W	Optional, P44, P46, P48
	P1022A	Light Bulb, 250V, 50W	Optional, P44, P46, P48
NS	K1020A	Top Column Cap S/S (Each)	Round Columns
35	D3008K	Top Apron S/S	MO/KO
	D3506K	Top Apron S/S	BOC, POC, RO, DPOC
	D1002K	Top Apron S/S	P22
36	D2002K	Top Apron S/S	P44
	D1003U	Left Column S/S	P22, P24
	D2003U	Left Column S/S	P44, P46, P48
37	D1004U	Right Column S/S	P22, P24
	D2004U	Right Column S/S	P44, P46, P48
38	D3006X	Right Column S/S	MO
	P1003A	3 Pole Terminal Block	P44, P46, P48 w/o Lights
	P1004A	4 Pole Terminal Block	P44, P46, P48 w/Lights
NS	D2044X	Fresh Dough Kit (Units w/Slides on top & Pan)	P22, P46
NS	D2045X	Fresh Dough Kit (Units w/Slides on top & Pan)	P44
NS	U4008A	Installation & Operating Instructions	All
NS	U1044A	8" Name Plate	All
39	S1014X	Adjustable Legs (Set/4)	Special
	S1014A	Adjustable Legs (Each)	Special