



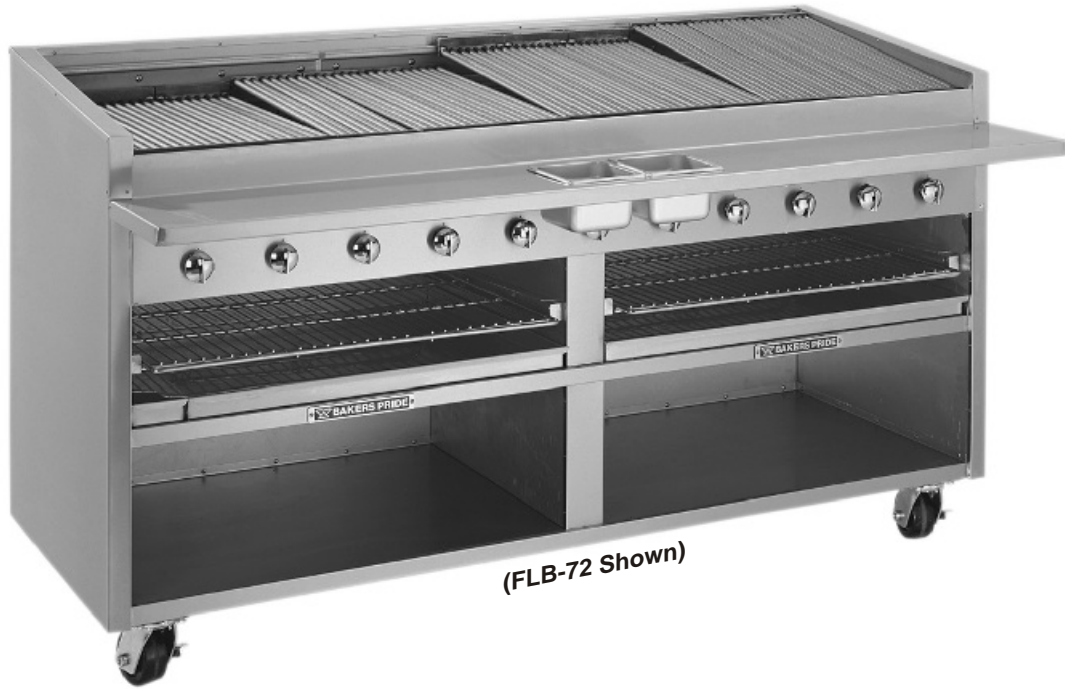
30 Pine Street • New Rochelle • New York • 10801  
 914 / 576 - 0200  
 914 / 576 - 0605 fax  
 1 - 800 - 431 - 2745 US & Canada  
 www.bakerspride.com web address

# FLB-48R/GS

Gas Char Broiler

## PARTS LIST

*Dante*  
SERIES



Model Number: **FLB-48R/GS**

Serial Number \_\_\_\_\_

**Type of Gas**

Natural

L.P.

Other

# FLB-48R/GS

Gas Char Broiler

30 Pine Street • New Rochelle • New York • 10801

914 / 576 - 0200

914 / 576 - 0605 fax

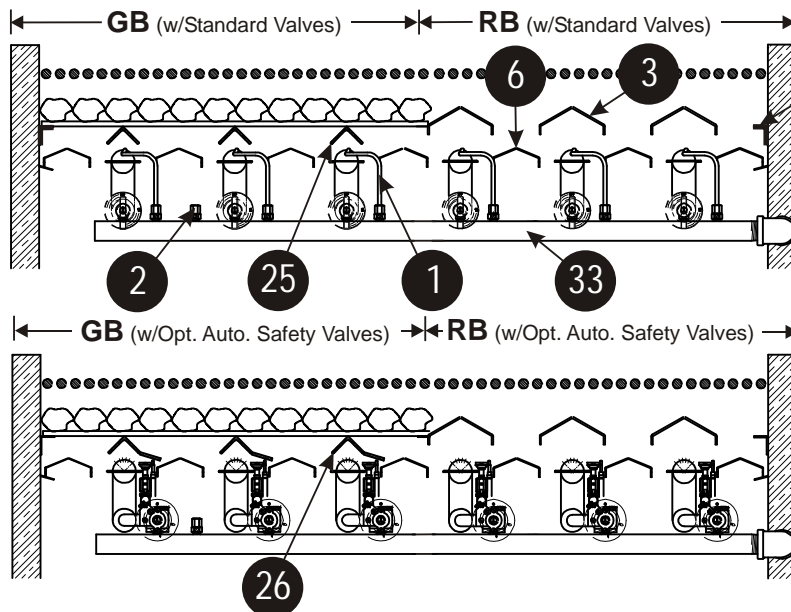
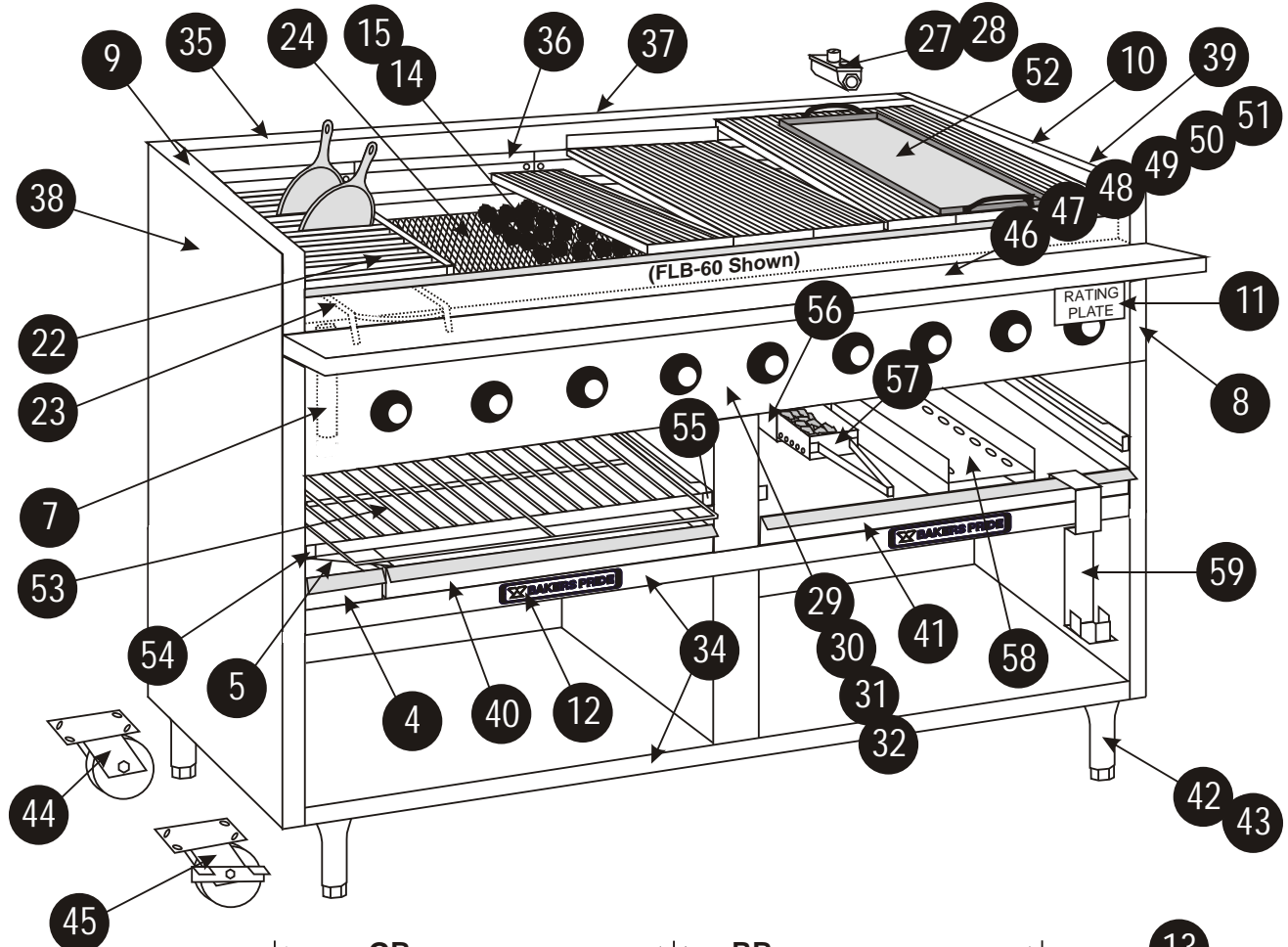
1 - 800 - 431 - 2745 US & Canada

www.bakerspride.com web address



Figure A

## Exterior / Interior





30 Pine Street • New Rochelle • New York • 10801  
 914 / 576 - 0200  
 914 / 576 - 0605 fax  
 1 - 800 - 431 - 2745 US & Canada  
 www.bakerspride.com web address

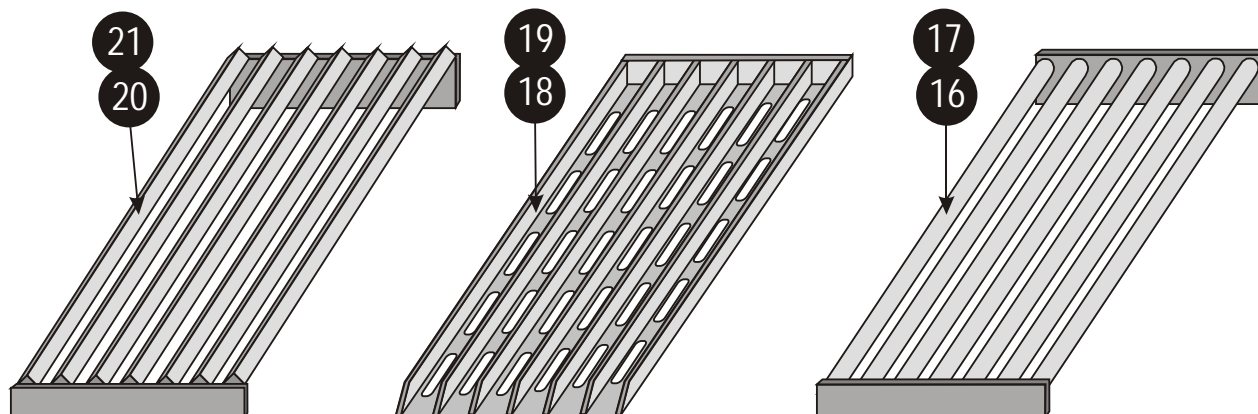
# FLB-48R/GS

Gas Char Broiler

Item	Part #	Description	Item	Part #	Description
<b>Exterior / Interior</b>					
1	R3042X	Pilot Tube, 7 3/8" w/Nut & Ferrule	31	U1322A	Control Panel Overlay-48
2	N3068P	Pressure Tap Nozzle	32	U1327A	Control Panel Overlay, CE-48
3	G5073X	Radiant S/S (Standard)	33	R1121A	Manifold-48
4	G5069K	Grease Drawer	34	G5161K	Front Trim-48
5	G5070U	Grease Shield Assy	35	G5165K	Back Trim-48
6	G5072K	Heat Shield	36	G5141K	Top Grate Support, 14 1/2" /3
7	G5127U	Grease Drain Assy-48	37	G5149K	Outer Back-FLB48
8	G5212K	Manifold Cover	38	G5052K	Outer Side, Left-FLB
9	G5060K	Side Trim, Left	39	G5053K	Outer Side, Right-FLB
10	G5061K	Side Trim, Right	40	G5067K	Drip Pan, 16 1/2" /1
11	G5205K	Rating/Instruction Plate Mount	41	G5176K	Drip Pan, 20 1/2" /1
12	U1044X	Bakers Pride Name Plate, 8"	42	S1049A	Legs, 6" (Standard) each
13	G5039K	Bottom Grate Support, L or R Side	43	S1049Y	Legs, 6" (Standard) Set/4
14	T1047X	Glo-Stones, 1/2 Lot (20#)	44	S1022X	Casters, 4" No/Lock (Optional) each
15	T1048X	Glo-Stones, Full Lot (40#)	45	S1023X	Casters, 4" W/Lock (Optional) each
16	T1197X	Top Roll-A-Grate, 9" (Standard) /1	46	G5134K	Work Deck-48
17	T1198X	Top Roll-A-Grate, 6" (Standard) /6	47	G5123U	Front Brace Assy-48
18	T1212A	Top Grate, 6", Cast Iron (Optional)	48	G5288K	Work Deck-48, 10"
19	T1216A	Top Grate, 4 1/2", Cast Iron (Optional)	49	G5291U	Front Brace Assy-48, 10"
20	T1210X	Meat Grate, 6" (Optional)	50	G5310K	Work Deck-48, 12"
21	T1211X	Meat Grate, 9" (Optional)	51	G5311U	Front Brace Assy-48, 12"
22	T1213T	Fajita Top Grate (Optional)	52	T1209U	Breakfast Griddle, 11"W (Optional)
23	T1214T	Fajita Bottom Grate (Optional)	53	T1206U	Wire Rack, 21" /2
24	T1203A	Bottom Grate, S/S, 22" /2	54	G5131U	Left Wire Rack Guide Assy
25	G5040U	Bottom Grate Support /7	55	G5132U	Right Wire Rack Guide Assy
26	G5041U	Bottom Grate Support (CE) /7	56	G5180U	Smoker Box Assy (No Drawer)
27	M1009X	Pressure Regulator 3/4", 10"WC (LP)	57	G5187U	Drawer, Smoker Box
28	M1184X	Pressure Regulator 3/4", 3.5"WC(Nat)	58	G5182U	Log Support (Optional)
29	G5169K	Control Panel-48	59	G5186K	Bottle Holder, RH (Optional)
30	G5173K	Control Panel, CE-48			

**Figure B**

## Grates



# FLB-48R/GS

Gas Char Broiler

30 Pine Street • New Rochelle • New York • 10801

914 / 576 - 0200

914 / 576 - 0605 fax

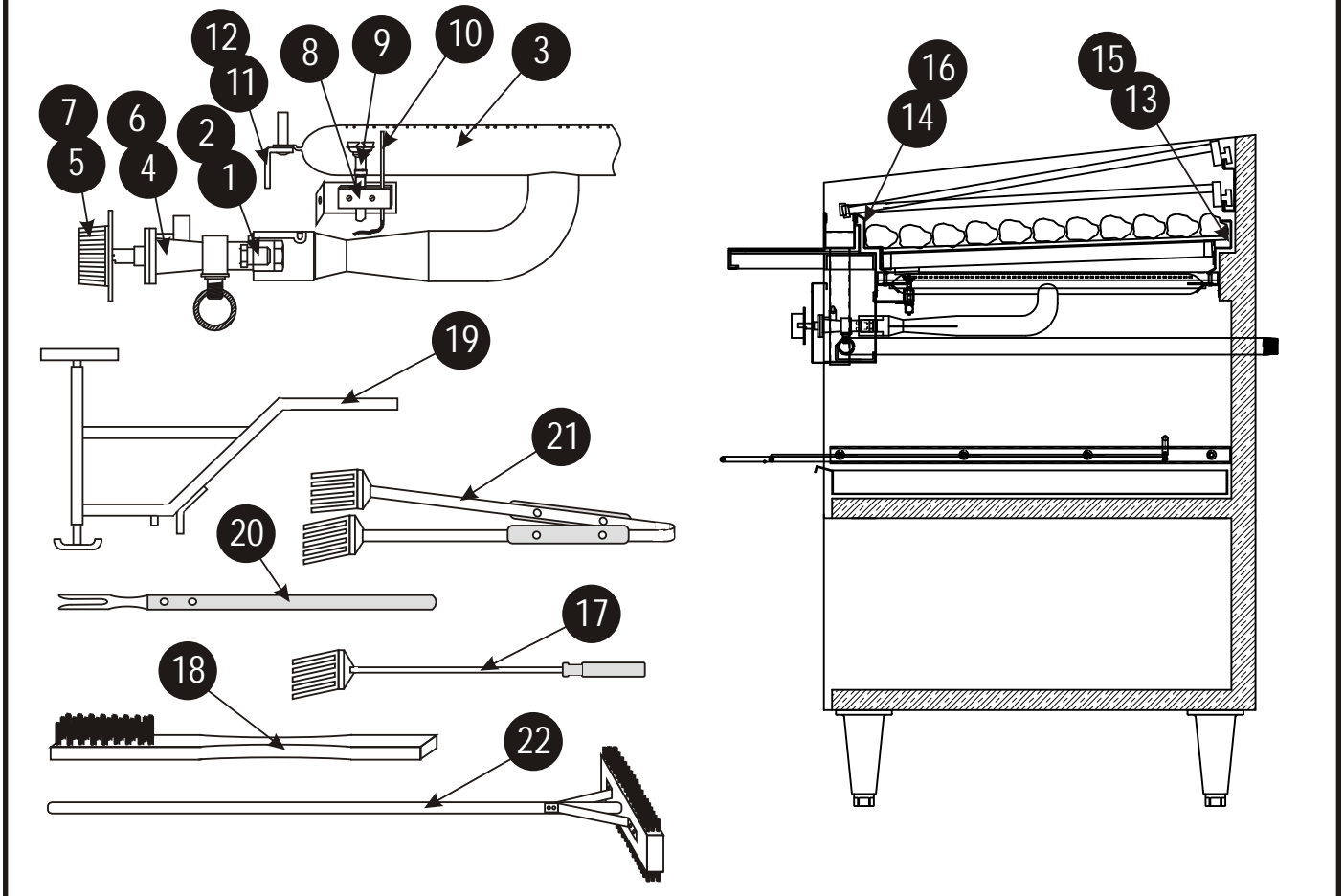
1 - 800 - 431 - 2745 US & Canada

www.bakerspride.com web address



**Figure C**

## Burner / Accessories / Supports



Item	Part #	Description	Item	Part #	Description
1	R3136X	Hood Orifice #54 (LP)	12	G5028U	Burner Support Assy, 17" /2
2	R3130X	Hood Orifice #44 (Nat)	13	G5044U	Radiant Support Assy, Rear 18" /1
3	L5077X	Burner, Center Feed	14	G5046U	Radiant Support Assy, Front 18" /1
4	R3032X	Gas Valve	15	G5045U	Radiant Support Assy, Rear 12" /2
5	S1094X	Knob, Gas Valve	16	G5047U	Radiant Support Assy, Front 12" /2
6	R3128X	Gas Valve (used w/Pilot Safety)	17	T5018V	Spatula, Chef-Aide, 20" Single
7	S1301X	Knob, Gas Valve, CE (used w/Pilot Safety)	18	T5017X	Wire Brush, Chef-Aide, 18"
8	G5064K	Pilot Bracket (used w/Pilot Safety)	19	G5221U	Grate Lifter
9	M1359X	Pilot Burner (used w/Pilot Safety)	20	T5016A	Meat Fork
10	M1358X	Thermocouple, 10" (used w/Pilot Safety)	21	T5019V	Steak Turner
11	G5029U	Burner Support Assy, 23" /2	22	T5104V	Twin Head Grate Brush
<b>Conversion Kit (LP to Nat)</b>			<b>Conversion Kit (Nat to LP)</b>		
7	R3130X	Hood Orifice #44 (Nat)	7	R3136X	Hood Orifice #54 (LP)
1	M1184X	Pressure Regulator 3/4", 3.5"WC (Nat)	1	M1009X	Pressure Regulator 3/4", 10"WC (LP)