



30 Pine Street • New Rochelle • New York • 10801  
 914 / 576 - 0200  
 914 / 576 - 0605 fax  
 1 - 800 - 431 - 2745 US & Canada  
 www.bakerspride.com web address

P-22BL / P-22S / P-24S

Electric Countertop Oven

PARTS LIST



**THIS PARTS LIST PERTAINS TO THE FOLLOWING UNITS:**

Model #	Voltage	Starting Serial #	Date
P-22BL	All	All	
P-22S	208VAC	#7131	11/2/99
P-22S	230VAC	#4160	11/2/99
P-24S	All	#17288	2/29/00

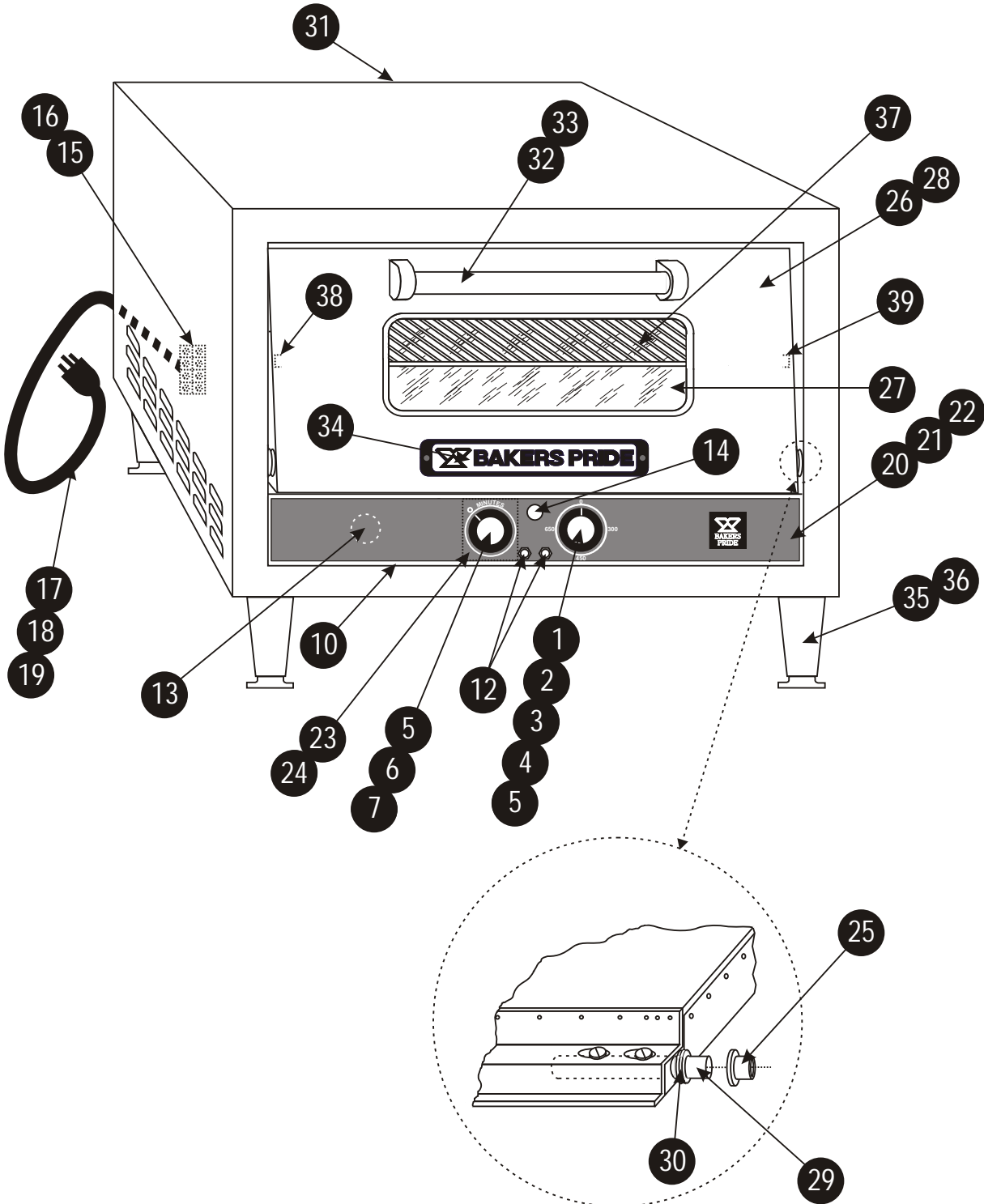


<b>Model Number</b>	<b>Serial Number</b>	<b>Voltage</b>	<b>Phase</b>
P-22S <input type="checkbox"/> P-22BL <input type="checkbox"/>	_____	200V <input type="checkbox"/> 208V <input type="checkbox"/> 230V <input type="checkbox"/>	1 <input type="checkbox"/>
P-24S <input type="checkbox"/>	_____	220/240V <input type="checkbox"/> 230/400V <input type="checkbox"/>	3 <input type="checkbox"/>



Figure A

EXTERIOR / DOOR / CONTROLS (ROTARY TIMERS)





30 Pine Street • New Rochelle • New York • 10801  
 914 / 576 - 0200  
 914 / 576 - 0605 fax  
 1 - 800 - 431 - 2745 US & Canada  
 www.bakerspride.com web address

P-22BL / P-22S / P-24S

Electric Countertop Oven

Item	Part #	Description	Item	Part #	Description
1	M1098X	Thermostat w/Knob, 650F (EGO)	21	U1307A	Control Panel Overlay, Hi Heat, 22S & 22BL
2	M1192X	Thermostat w/Knob, CE "430C" (High Heat)	22	U1314A	Control Panel Overlay, P-24S
3	M1110X	Thermostat w/Knob, 550F, KA-72 (P-24S)	23	U1297A	18 Minute Timer Overlay (50 cycle)
4	M1342X	Thermostat Kit w/Knob, 250F (Special)	24	U1296A	72 Minute Timer Overlay (50 cycle)
5	S1311X	Knob (T-stat "F", 15 Min Timer: Rot-Elec)	25	S3019X	Door Bushing
6	M1345X	Timer, Rotary-Elec, 15 Min, (P-22S & P-22BL)	26	D1106X	Door Assy (No Window)
7	M1346X	Timer, Rotary-Elec, 60 Min (P-24S)	27	S1020X	Window Assy (Door)
8	M1275X	Timer, Electronic (Digital Readout) 60 cycle	28	D1143U	Door Assy (w/Window)
9	M1274X	Timer, Electronic (Digital Readout) 50 cycle	29	S3001X	Door Rod
10	D1157K	Control Panel (Rot/Elect Timer)	30	Q3021X	Door Rod Spacer Kit (1 Kit per Door)
11	D1156K	Control Panel (Electronic Timer)	31	D1105K	Outer Back
12	M1330A	Circuit Breaker, 3A	32	S1316U	Door Handle
13	M1335X	Audio Alarm	33	Q2041A	Screws, 1/4-20 x 1/2 RH (Door Handle)
14	P1127X	Pilot Light, Amber	34	U1044X	Bakers Pride Nameplate, 8"
15	P1003X	Terminal Block, 3 Pole, 1 Phase	35	S1014X	4" Adjustable Leg (Set/4)
16	P1004X	Terminal Block, 4 Pole, 3 Phase	36	S1014Y	4" Adjustable Leg (each)
17	P6009X	Line Cord, 250V/20A (USA & Canada)	37	T3139X	Intermediate Wire Rack (Option, P-24)
18	P6385A	Line Cord, 250V/30A (Can. 208V only)P22S/BL	38	D1162U	Wire Rack Support Assy, Left (Option)
19	P6005X	Line Cord, 250V/15A (P-24S)	39	D1163U	Wire Rack Support Assy, Right (Option)
20	U1302X	Control Panel Overlay, 22S & 22BL			

Figure B

CONTROL PANEL WITH DIGITAL TIMER (OPTIONAL)

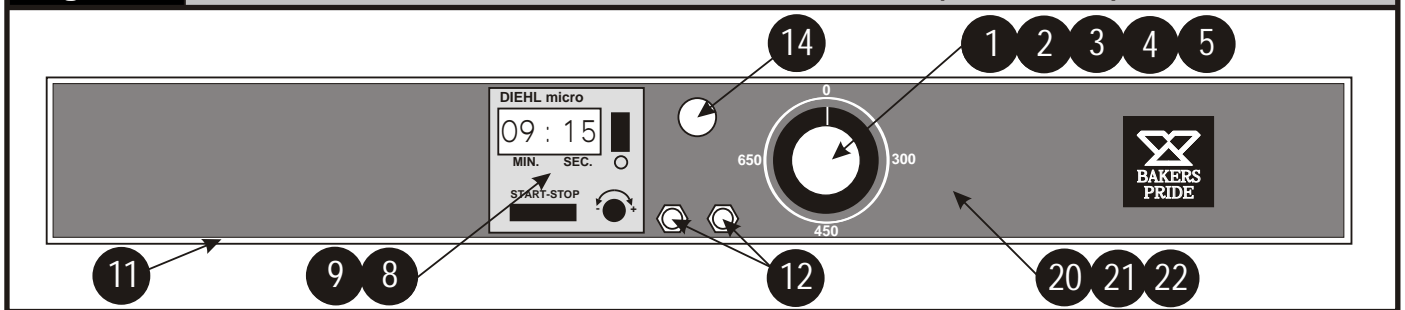


Figure C

DECK ARRANGEMENT BY MODEL

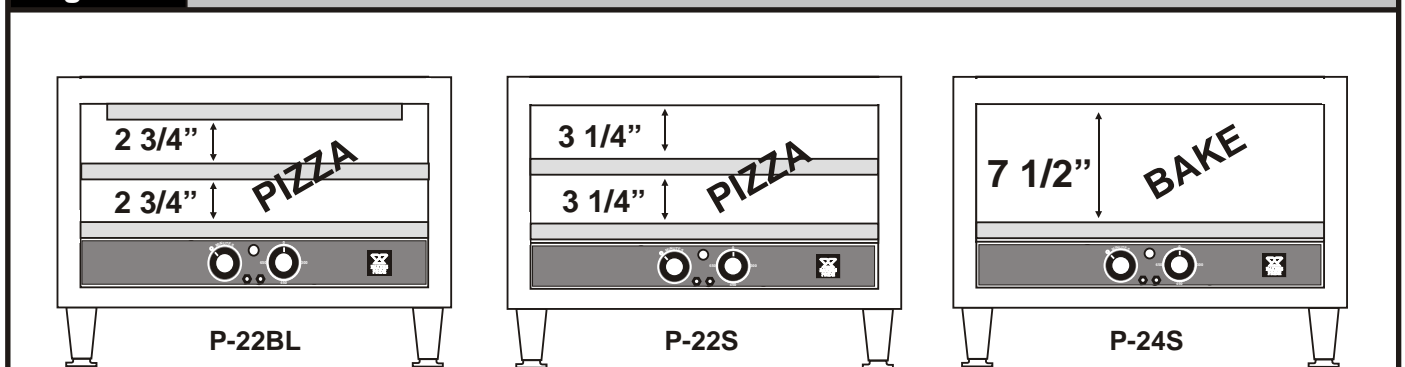
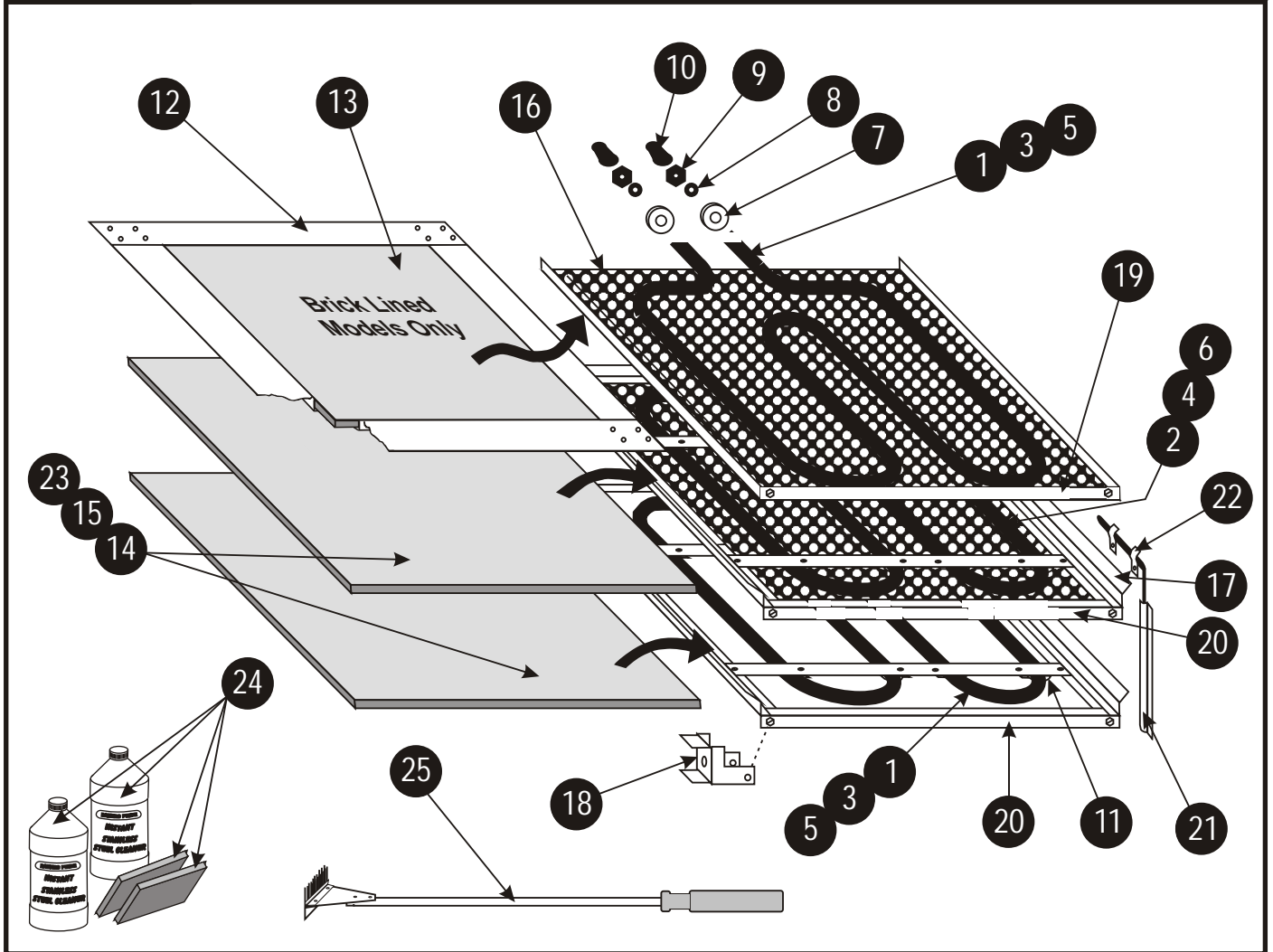




Figure D

Interior Components & Accessories



Item	Part #	Description	Item	Part #	Description
1	L1072X	Element, 208V/1075W, Top & Bottom	14	T1121Y	Deck, 20 13/16 x 20 13/16 x 1/2 (each)
2	L1071X	Element, 208V/1450W, Center	15	T1121X	Deck, 20 13/16 x 20 13/16 x 1/2 (set/2)
3	L1035X	Element, 230V/1075W, Top & Bottom	16	D4040X	Fresh Dough Baffle
4	L1034X	Element, 230V/1450W, Center	17	D1152T	Hearth Frame Assy (No Element)
5	L1116X	Element, 200V/1075W, Top & Bottom (Japan)	18	D4039K	Deck Support
6	L1117X	Element, 200V/1450W, Center (Japan)	19	D4031X	Baffle Trim
7	P1019A	Porcelain Spacer	20	D1142K	Hearth Trim
8	Q3016A	Washer, Star, #6	21	D1134K	Capillary Cover
9	Q1002A	Nut, 6-32	22	Q4021X	Clip, 3/16"
10	S1061X	Terminal Cap, 6-32	23	T1222K	Steel Bake Deck (Optional)
11	K1355X	Element Clip	24	T5118X	Stainless Steel Cleaner (2 16oz Bottles w/pads)
12	D1158U	Ceramic Top Frame Assy (B/L Only)	25	T5107Y	Deck Scraper Brush
13	T1120Y	Deck, ea 17 3/4 x 17 1/2 x 1/2 (P-22BL Only)			