



30 Pine Street • New Rochelle • New York • 10801

1 - 914 / 576 - 0200

1 - 914 / 576 - 0605 fax

1 - 800 - 431 - 2745 US & Canada

www.bakerspride.com web address

Y-600

Gas Deck Oven

PARTS LIST

SuperDeck 6

GAS PIZZA SERIES



(Shown with Optional Casters)

Model Number: **Y-600**

Serial Number _____

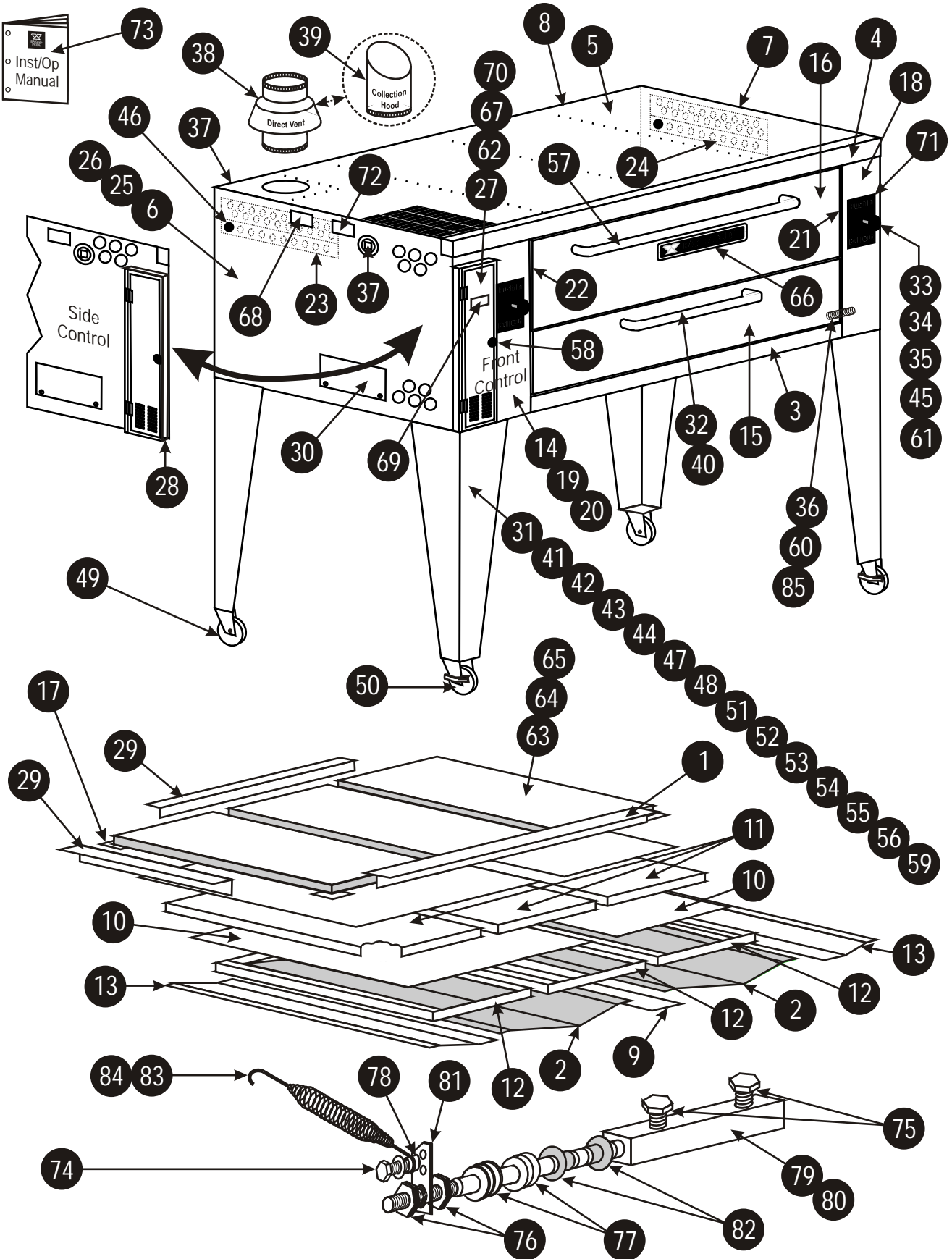
Type of Gas

Natural

L.P.

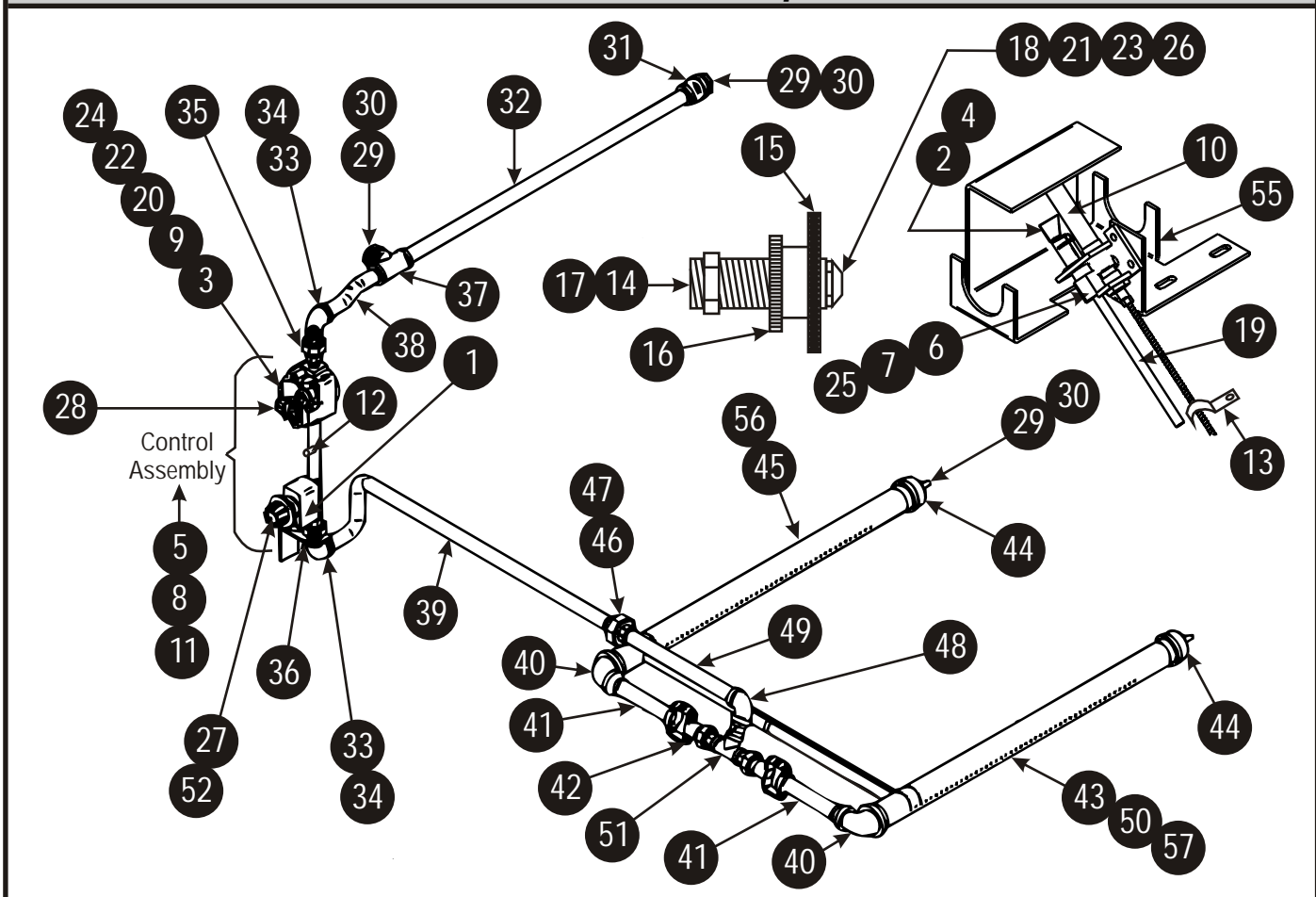
Other

Exterior / Decks / Doors



Item	Part #	Description	Item	Part #	Description
1	A1153X	Hearth Trim Assy, S/S	44	S1004Y	Legs, 30" (Set/4, w/Bolts)
2	A3079X	Flame Diverter, Slide Out, 35" (2)	45	S1005X	Knob, Push-Pull, 3/8"-16
3	A4001X	Bottom Apron, S/S	46	S1010X	Knob, Flue Slide
4	A4002X	Top Trim, S/S	47	S1018T	Leg, 12" (ea)
5	A4007X	Outer Top, S/S	48	S1018Y	Legs, 12" (Set/4, w/Bolts)
6	A4011X	Outer Side, Left, S/S	49	S1022X	Caster, No Lock (ea)
7	A4015X	Outer Side, Right, S/S	50	S1023X	Caster, w/Lock (ea)
8	A4027U	Outer Back Assy, S/S	51	S1076X	S/S Leg Wrap, 12" (Set/2)
9	A4063X	Flame Diverter, Center (1)	52	S1077X	S/S Leg Wrap, 16" (Set/2)
10	A4082X	Hearth Liner Sheet Set (1Lg, 1 Sm)	53	S1078X	S/S Leg Wrap, 30" (Set/2)
11	A4092X	Air (Insulation) Pan Assy, 20" x 36" (Set/3)	54	S1089Y	12" Leg Set w/Casters
12	A4103T	Hearth Frame Assy, 20" (3)	55	S1119Y	16" Leg Set w/Casters
13	A4107K	Flame Diverter, Side (2)	56	S1120Y	30" Leg Set w/Casters
14	A4120X	Control Panel Assy, S/S	57	S1196X	Handle w/2 Screws, Top Door (30")
15	A4128X	Door Assy, Bottom (Light Weight)	58	S1346A	Latch, Mini Quarter Turn
16	A4136T	Door Assy, Top (Light-Weight)	59	S1407Y	36" Leg Set w/Casters
17	A4140Z	Shim, Hearth (each)	60	S3009X	Pin, Door, Right Side (9/16"-18 x 3")
18	A4181U	Front Panel Assy, Right	61	S3036X	Push-Pull Rod
19	A4182U	Front Panel Assy, Left SS (Front-Ctr)	62	S3203X	Latch Assy, Magnetic
20	A4186U	Front Panel Assy, Left SS (Side-Ctr)	63	T1005X	Steel Baking Deck (Optional)
21	A4286K	Door Seal, R.H.	64	T1118X	Hearth Baking Deck, 20x36x1 1/2 (Set/3)
22	A4287K	Door Seal, L.H.	65	T1118Y	Hearth Baking Deck, 20x36x1 1/2 (ea)
23	A4584T	Flue Slide Assy, Lower, Left	66	U1043X	Bakers Pride Logo, 13 3/4"
24	A4585T	Flue Slide Assy, Lower, Right	67	U1240A	Label, Unit For Use Only With.....
25	A4841K	Outer Side, Left SS, Rear-Half (Side-Ctr)	68	U1243A	Label, Ventilation Hood, Bi-Ling
26	A4845K	Outer Side, Left SS, Front-Half (Side-Ctr)	69	U1245A	Label, Gas Shut-Off Valve (Bi-Ling)
27	A4937U	Access Door Assy, Front, SS	70	U1333A	Label, Warning (Pizza Oven/Cordierite)
28	A4980T	Control Panel Sleeve Assy, SS (Side-Ctr)	71	U1356A	Push-Pull Plate
29	K1099K	Wedge, Hearth, 30" (2)	72	U1364A	Label, Warning
30	K1116X	Access Cover S/S, Left	73	U4007A	Gas Oven Installation/Operation Manual
31	Q2102A	Bolt, Leg, 1/2-13 x 1 Each - (Not Shown)	74	Q2301X	Shoulder Bolt, 3/8-16 x 1"
32	Q2206A	Screw 5/16-18 x 1" (Door Handle)	75	Q2303X	Bolt, Door Rod, 3/8-16 (2)
33	Q2217A	Bolt, Push-Pull Rod (1)	76	Q2401X	Nut, Door Rod (9/16-18)
34	Q2306A	Nut, Push-Pull Rod (2)	77	Q3024X	Spacer Kit, Door Rod
35	Q3009A	Flat Washer, Push-Pull Rod (2)	78	S3007X	Teflon Bushing Assy
36	Q3023X	Spacer Kit, Door Pin	79	S3040W	Door Rod Assy, Left Side (3/4" x 14 1/2")
37	R1061P	Gas Inlet Assy	80	S3040X	Door Rod, Left Side (3/4" x 14 1/2")
38	R3002Y	Flue Diverter, Direct Vent	81	S3056X	Lever, Door Spring (3 1/2")
39	R3115Y	Flue Diverter, Collection Hood	82	S3135X	Bushing w/Insert, Door Rod (3/4")
40	S1002X	Handle, Bottom Door w/Screws (17 1/2")	83	S3003X	Spring, Top Door, 1 1/8" x 9 3/4"
41	S1003X	Leg, 16" (ea)	84	S3004X	Spring, Bottom Door, 13/16" x 6 3/4"
42	S1003Y	Legs, 16" (Set/4, w/Bolts)	85	S3138X	Sleeve Assy, Door Pin
43	S1004X	Leg, 30" (ea)			

Controls / Interior Components



Item	Part #	Description	Item	Part #	Description
1	M1005X	Thermostat, Gas, FDTH (650°F)	30	N3022A	Plug
2	M1220X	Pilot Burner, Natural, w/Ftgs, 2 CHA-1	31	N3007A	Coupling
3	M1221X	BMVR Valve Kit, LP (Not Shown)	32	N5203P	Nipple
4	M1222X	Pilot Burner, LP, w/Fittings, 2 CHA-1	33	N5009A	Nipple
5	M1242X	Control Assy, Nat BMVR	34	N3021A	Elbow
6	M1244X	Orifice, Pilot, Nat, 2 CHA-1 (.018")	35	N3027F	Union, Female
7	M1245X	Orifice, Pilot, LP, 2 CHA-1 (.010")	36	N3026M	Union, Male
8	M1248X	Control Assy, LP	37	N3002A	Tee
9	M1260X	BMVR Valve Kit, Nat (Not Shown)	38	N5232A	Nipple
10	M1265X	Thermopile, Q313 (w/Armoured Cable)	39	R1130P	Manifold Assy
11	M1371P	Control Assy, Nat Gas,Ce(U7mvr) 650° Front Ctr	40	N3016A	Elbow
12	N3068P	Pressure Tap Nozzle Assy	41	L5001A	Inspirator # 3
13	Q4021X	Capillary Clip 3/16" (Prior to 6/20/08 only)	42	N5212A	Nipple
14	R3004A	Spud Holder #3	43	L5075X	Burner w/Cap & Elbow, Right (13 1/2" Cross-Over)
15	R3005A	Adjusting Disc, #3	44	N3013A	Pipe Cap
16	R3006A	Locking Disc, #3	45	L5076X	Burner w/Cap & Elbow, Left (13 1/2" Cross-Over)
17	R3007X	Spud Assy #3	46	N3028P	Union, Female
18	R3008X	Orifice Spud #3, Blank (Undrilled)	47	N3029P	Union, Male
19	R3035X	Pilot Tubing, S/S, 3/16" x 60"	48	N3004A	Elbow
20	R3104X	Valve, BMVR, Nat.	49	N5233P	Nipple
21	R3117X	Orifice, Nat, #25 Drill	50	L5085P	Burner, Complete (13 1/2" Cross-Over)
22	R3124X	Valve Assy, 7000Bmvr Cmbi, LP Gas	51	N3077P	Manifold Tee Assy
23	R3129X	Orifice,LP #43 Drill	52	S1163X	Knob, Thermostat, CE, 340°C
24	R3137E	Valve Assy, U7000mvr CE Combi, Nat Gas	53	M1002X	Automatic Oven Starter (7 Day Timer) - Not Shown
25	R3182A	Ball Sleeve, Annealed (Ferrule)	54	Y6KIT#21	Packaging Kit (Y-600) - Not Shown
26	R3189P	Orifice #1, Town Gas, Spud #3	55	A4143K	Pilot Mounting Bracket (After 6/20/08, SN F08F064)
27	S1056X	Knob, Thermostat, 650°F	56	L5121T	Burner Assy, LH (After 6/20/08, SN F08F064)
28	S1453A	Knob, Combination Valve	57	L5122T	Burner Assy, RH (After 6/20/08, SN F08F064)