



**999 & 1000 SERIES  
PIZZA OVENS  
REPLACEMENT PARTS LIST**

**EFFECTIVE MARCH 30, 2105**

Superseding All Previous Parts Lists.

The Company reserves the right to make substitution in the event that items specified are not available.

ERRORS: Descriptive and/or typographic errors are subject to correction.

---

**BLODGETT OVEN COMPANY**

44 Lakeside Avenue, Burlington, Vermont 05401 USA Telephone: (802) 658-6600 Fax: (802) 860-3732

[www.blodgett.com](http://www.blodgett.com)

*P/N 53032 Rev C*

**IMPORTANT: When ordering parts, please provide the model, gas type and serial number of the oven. The identification plate is located on the left side of the combustion compartment and, also, above the control panel under the ledge.**

- ☑ ASAP Distributor Required Stocking Parts
- ◆ Doors Are Not Returnable
- \* Item Is Too Large For UPS

## BURNER & PIPING COMPONENTS

Ref. No.	Part No.	Description
14	7942	Steel Tube Burner (Set of 2)
	16361	Air Shutter Only
	3001	Locknut Only for Air Shutter
	6779	Manifold Assy
	8717	Orifice (Set of 2) Specify Gas Type
	4872	Manifold Plug 1/8"
10	6781	Manifold Extension Nipple
	3807	Union 1/2"
	17649	Thru Pipe
	1949	Nipple 1/2" x 1 3/16"
7	11529	FDH Thermostat (300-650)
	10392	Dial/Knob for FDH Thermostat
3	☑ 7854	Gas Valve w/Handle
3a	☑ 7855	Handle for Gas Valve
	8922	Tubing for Pilot Burner
	1979	Nipple 1/2" x 1 1/2"
8	4589	Pressure Regulator, NAT
	10441	Pressure Regulator, LP
	☑ 5386	.018 Pilot Orifice, NAT
	☑ 5387	.010 Pilot Orifice, LP
	55244	Upgrade Kit from FMEA to TS11K Safety Valve
		<b>For ovens with TS11K safety valve upgrade kit</b>
	52091	Thermocouple
	55132	Natural Pilot Assembly, TS11
	55407	LP Pilot Assembly, TS11
	55127	Safety Valve, TS11
	57102	Pilot Tubing, 1/4"

## DOOR COMPONENTS

Ref. No.	Part No.	Description
	8341	Handle, Baking Door, 20"
	8342	Support Arm, L.H. Baking Door
	8343	Support Arm, R.H. Baking Door
	8338	Hinge Pin (R.H. Only)
	3840	Retainer Ring
	8345	Coupling, Counter Weight
	5878	Dowels, Counter Weight (Roll Pin)
	3666	Seal, Door Opening, Top S/S
12	☑ 4598	Seal, Baking Door (Crumb Catcher)
	11694	Washer, Door (Set of 10)
	8336	Handle, Burner Door, 12 5/8"
	8337	Support Arm, Burner Door
	7873	Hinge Pin, Burner Door

## BAKING COMPARTMENT COMPONENTS

<u>Ref. No.</u>	<u>Part No.</u>	<u>Description</u>
13	24664	Deck, Ultra Rokite (2 Pc., 240 lbs.)
	8353	Steel Shelf (2 Pc.)
	3655	Flue Plate, L.H.
	3656	Flue Plate, R.H.
	7858	Thermostat Bulb Guard
	4644	Deflector Assy. (3 Pc.)
	5593	Deflector, Center Panel Only
15	5593	Deflector, Center Panel Only
	4643	Deflector, Side Panel (Each)
16	20663	Manifold Shield Assy.
	8351	Bottom Insulation Cover, L.H.
	8352	Bottom Insulation Cover, R.H.
	20101	Conversion Kit LP to NAT, FMEA
	20102	Conversion Kit NAT to LP, FMEA

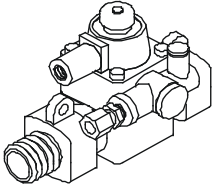
## EXTERIOR COMPONENTS

<u>Ref. No.</u>	<u>Part No.</u>	<u>Description</u>
	11669	Crown Angle
	8346	Crown Angle Leg Frame (Double Oven)
	31689	Draft Diverter, Canopy Vent
	8348	Draft Hood, Direct Vent (10" Diam.)
	8349	Flue Connectors (Double Oven) 1000/1000
	9327	Flue Connectors 1000/999
	6765	Flue Cover Assy.
	17830	Legs, 12" S/S w/Bolts (Set of 4)
	17831	Legs, 32" S/S (Set of 4)
	7847	Leg Bolts, Set
	8335	Cover Panel, L.H.
	54733	Control Panel, R.H. 1000 Series
	8350	Louver Box
	11255	BLODGETT Nameplate
	20326	Gas Lighting Instruction Plate

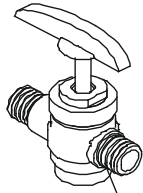
# MISC. COMPONENTS

55127

② Safety Valve,  
TS11K, w/o  
thermocouple

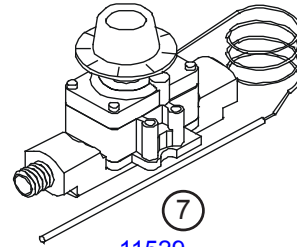
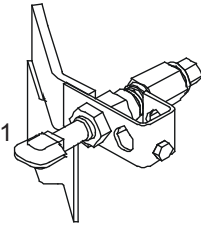


③a 7855  
Handle Only

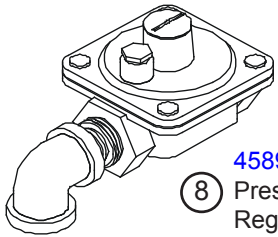


③ 7854  
Gas valve  
w/handle

⑥ 8706 (NAT) or  
8707 (LP)  
Pilot Assy, TS11

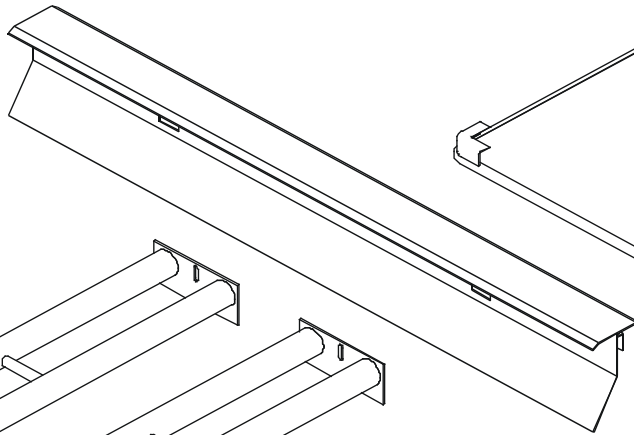
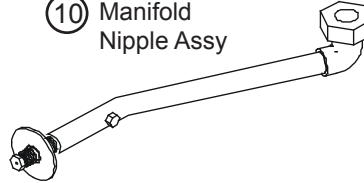


⑦  
11529  
Thermostat  
FDH

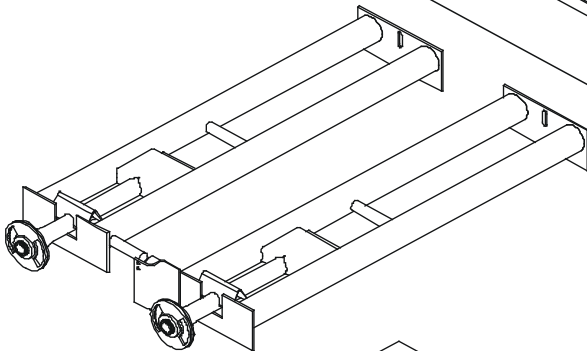


⑧ 4589  
Pressure  
Regulator,  
NAT

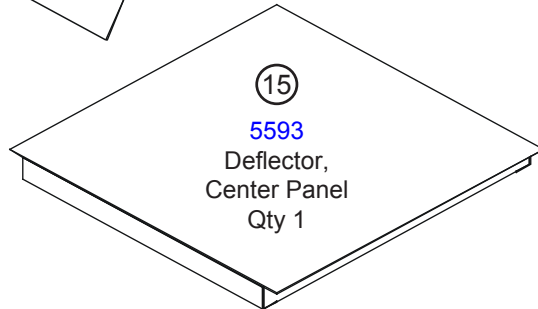
⑩ 6781  
Manifold  
Nipple Assy



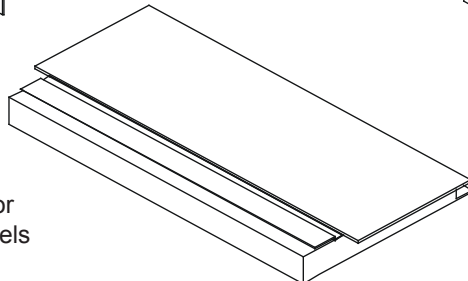
⑬  
8353  
Steel Deck



⑮  
5593  
Deflector,  
Center Panel  
Qty 1



⑯  
4643  
Deflector  
Side Panels  
Qty 2



# FOR 999 PIZZA OVEN

THESE PARTS ARE EXCLUSIVELY FOR THE 999 OVEN

## BURNER & PIPING COMPONENTS

<u>Ref. No.</u>	<u>Part No.</u>	<u>Description</u>
	19410	Orifice Bushing Only (Specify gas type)
	464	Orifice Nipple Only
	3434	Air Shutter Only
	1397	Locknut Only
	597	Elbow 1/2"
	3243	DG Thermostat (350-700) Before 8/61
	<input checked="" type="checkbox"/> 11527	FDTH Thermostat (300-650)
	10392	Dial/Knob for FDTH Thermostat (650)
2	<input checked="" type="checkbox"/> 19323	TS11K Safety Shut-off Valve w/out Thermocouple
	<input checked="" type="checkbox"/> 3835	Thermocouple Lead 60" (1.22mm) for TS11K Before 11/61
6	8707	Pilot Burner for TS11K Valve, LP
	<input checked="" type="checkbox"/> 8708	Tubing for Pilot Burner
	3597	.010 Pilot Orifice (TS11K, LP)
	3598	.017 Pilot Orifice (TS11K, NAT)

## BAKING COMPARTMENT COMPONENTS

<u>Ref. No.</u>	<u>Part No.</u>	<u>Description</u>
	<input checked="" type="checkbox"/> 4342	Lamp
	4922	Lamp Socket
	24664	Deck, Ultra Rokite (2 pieces, 240 lbs.)
	8353	Steel Shelf (2 pieces)
	3655	Flue Plate, L.H.
	3656	Flue Plate, R.H.
	7858	Thermostat Bulb Guard
	4644	Deflector Assy. (3 pieces)
	5593	Deflector, Center Panel Only
	4643	Deflector, Side Panel (each)

## EXTERIOR COMPONENTS

<u>Ref. No.</u>	<u>Part No.</u>	<u>Description</u>
	7839	Draft Hood, Direct Vent (6" Daim.)
	7840	Draft Diverter, Canopy Vent
	9012	Handle Only for Cover PAnel
	9327	Flue Connectors 1000/999