



PARTS LIST
GAS TILTING KETTLES
MODELS: KLT-20G
KLT-40G
KLT-60G



April 6, 2007

BLODGETT OVEN CO ▪ 44 lakeside Ave ▪ Burlington, VT 05446
Tel. 800-331-5842 ▪ Fax 802-860-3732 ▪ www.blodgett.com

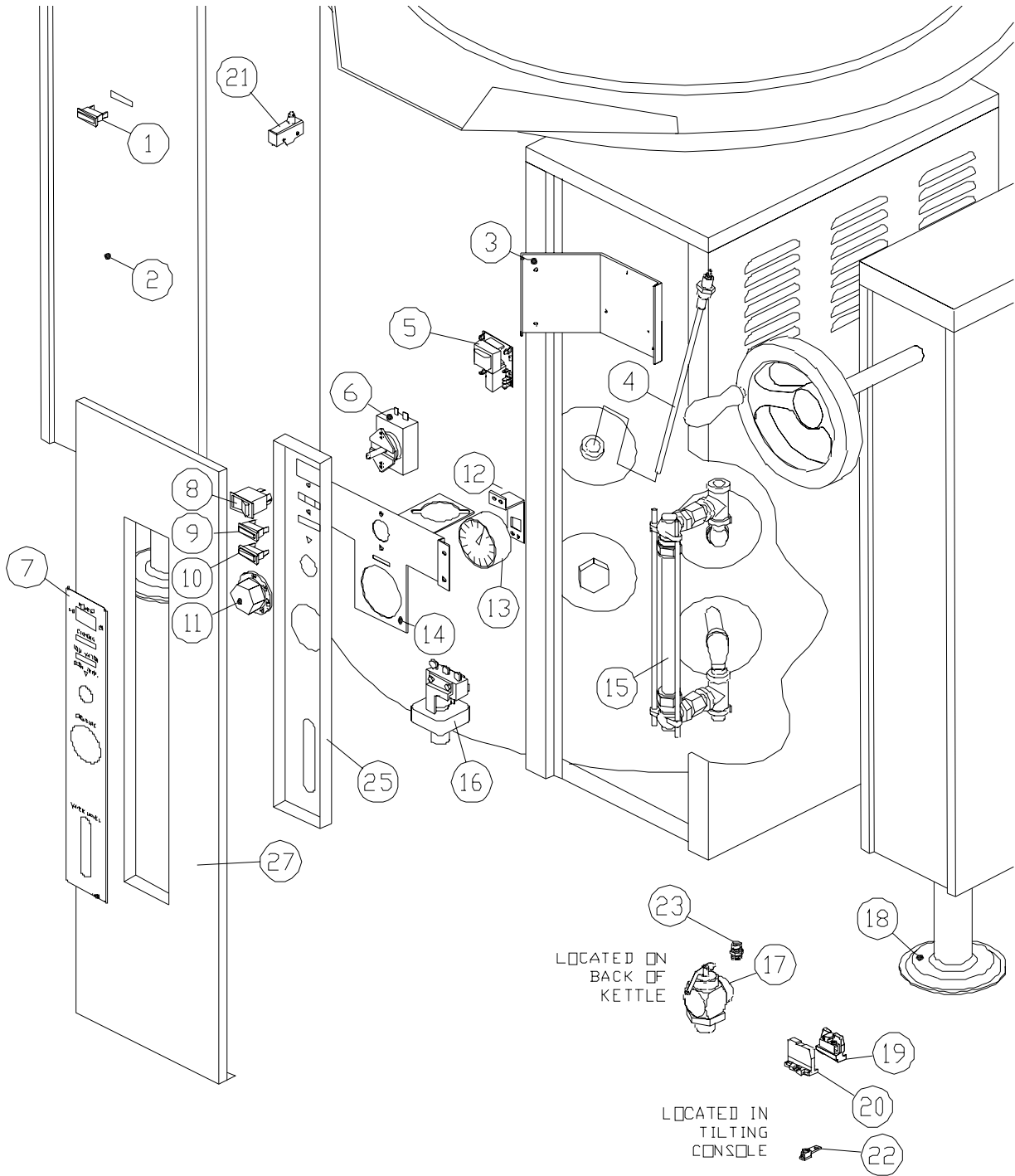


FIGURE 1

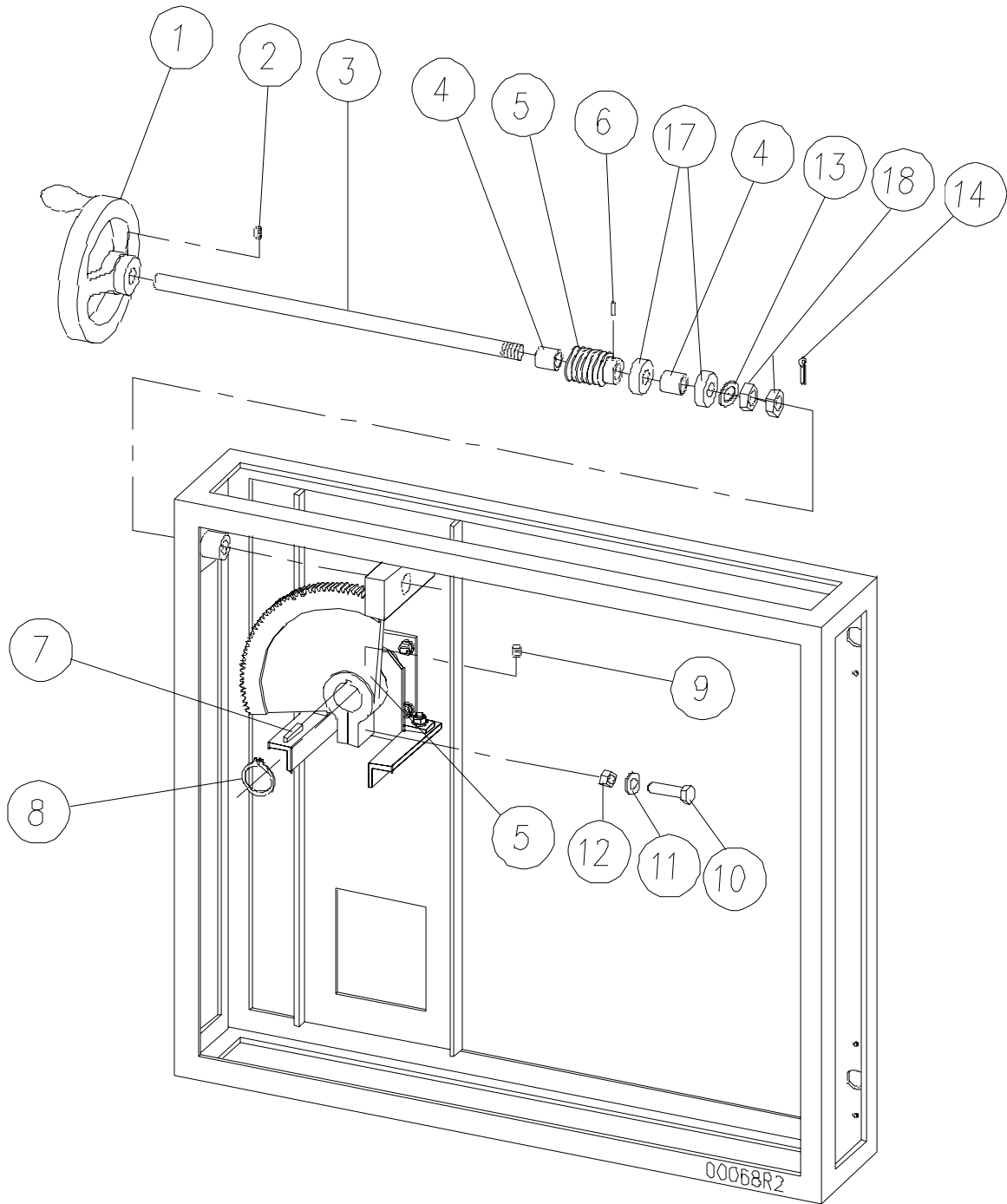
| <u>ITEM</u> | <u>Part Number</u> | <u>DESCRIPTION</u> | <u>QUANTITY</u> |
|--------------------|---------------------------|---------------------------------------|------------------------|
| 1 | 40955 | Pilot Light - Green 24V | 1 |
| 2 | 42175 | Instruction Label | 1 |
| 3 | 40795 | Low Water Control Mounting Bracket | 1 |
| ** | 40466 | Probe, 9 1/4" (20 Gallon) | 1 |
| | 40467 | Probe, 9 3/4" (30, 40, 60 Gallon) | 1 |
| 5 | 40542 | Low Water Cut Off Control | 1 |
| 6 | 40046 | Thermostat | 1 |
| 7 | 42548 | Poly Panel | 1 |
| 8 | 41889 | Power Switch | 1 |
| 9 | 42415 | Pilot Light - Red | 1 |
| 10 | 42430 | Pilot Light - Amber | 1 |
| 11 | 41006 | Dial | 1 |
| 12 | 42179 | Pressure Gauge Bracket | 1 |
| 13 | 40907 | Pressure Gauge | 1 |
| ** | 42177 | Mounting Bracket (30, 40 Gallon only) | 1 |
| | 42178 | Mounting Bracket (20, 60 Gallon only) | 1 |
| 15 | 41077 | Sight Glass Assembly | 1 |
| | 41741 | Rods | 2 |
| | 41743 | Washer - Rubber | 2 |
| | 41744 | Washer - Brass | 2 |
| 16 | 42443 | Pressure Switch | 1 |
| 17 | 40613 | Relief Valve | 1 |
| 18 | 41474 | Flanged Foot | 2 |
| 19 | 40708 | Terminal Block Section | 2 |
| 20 | 40707 | End Section | 1 |
| 21 | 40938 | Interlock Switch | 1 |
| 22 | 40743 | Ground Lug | 1 |
| 23 | 40548 | Vent | 1 |

| | | | | <u>FIGURE 1</u> |
|-------------|--------------------|--------------------|------------------------------------|-----------------|
| <u>ITEM</u> | <u>Part Number</u> | <u>DESCRIPTION</u> | | <u>QUANTITY</u> |
| * ** | 24 | 40251 | Combustion Chamber (20 Gallon) | 1 |
| | | 40252 | Combustion Chamber (30, 40 Gallon) | 1 |
| | | 40253 | Combustion Chamber (60 Gallon) | 1 |
| | 25 | 40033 | Recessed Control Panel | 1 |
| * ** | 26 | 40376 | Bottom Cover (20 Gallon) | 1 |
| | | 40377 | Bottom Cover (30, 40 Gallon) | 1 |
| | | 40378 | Bottom Cover (60 Gallon) | 1 |
| ** | 27 | 40326 | Control Panel (20, 30, 40 Gallon) | 1 |
| | | 40329 | Control Panel (60 Gallon) | 1 |

* NOT SHOWN.

** SELECT AS REQUIRED.

KLT-20, TILTING MECHANISM



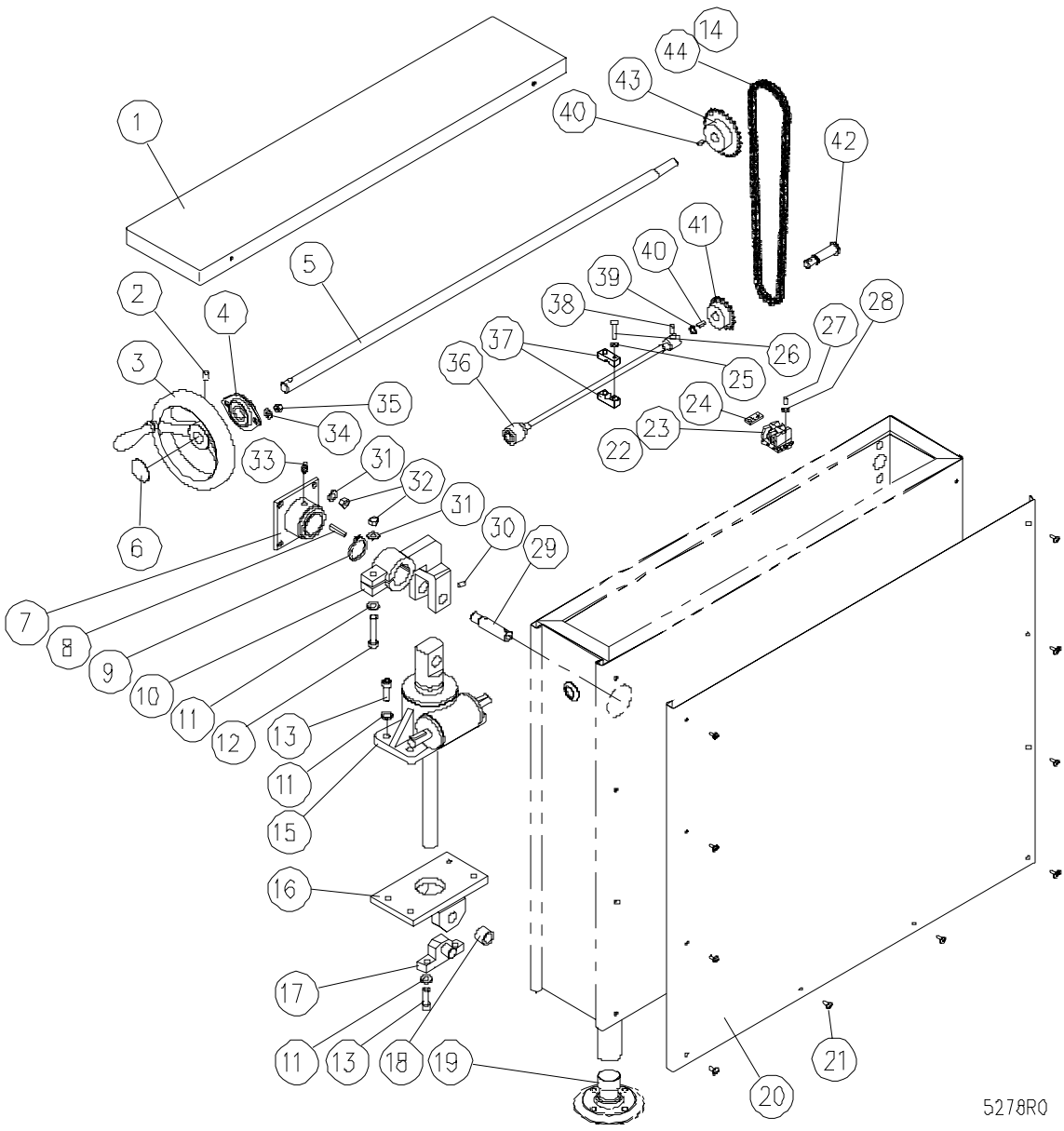
KLT - 20, TILTING MECHANISM

FIGURE 2

| <u>ITEM</u> | <u>Part Number</u> | <u>DESCRIPTION</u> | <u>QUANTITY</u> |
|--------------------|---------------------------|---|------------------------|
| 1 | 41554 | Handwheel | 1 |
| 2 | 40101 | Set Screw | 1 |
| 3 | 41235 | Tilt Shaft | 1 |
| 4 | 40367 | Bushing | 2 |
| 5 | 41095 | Segment Gear and Worm Gear Kit (Includes items 6 - 12) | 1 |
| 6 | 40266 | Tension Pin | 1 |
| 7 | 41564 | Key | 1 |
| 8 | 40126 | Retaining Ring | 1 |
| 9 | 40082 | Set Screw | 2 |
| 10 | 40249 | Bolt | 1 |
| 11 | 40132 | Washer | 1 |
| 12 | 40113 | Nut | 1 |
| 13 | 41091 | Washer 3/4 ID x 1 - 1/4 OD | 1 |
| 14 | 41092 | Cotter Pin S.S. 3/16 x 1 | 1 |
| * 15 | 42706 | Cord Set, 120V | 1 |
| * 16 | 42342 | Decal - Tilt | 1 |
| 17 | 41090 | Thrust Bearing | 2 |
| 18 | 40258 | Jam Nut | 2 |
| * 19 | 40241 | Console Cover | 1 |
| * 20 | 40621 | Console Cover Assembly (Faucet Mount), Optional | 1 |
| * 21 | 40496 | Spacer (Faucet Mount) | 1 |

* NOT SHOWN.

KLT 20, 40, 60, TILT CONSOLE AND PARTS



5278R0

FIGURE 3

| <u>ITEM</u> | <u>Part Number</u> | <u>DESCRIPTION</u> | <u>QUANTITY</u> |
|--------------------|---------------------------|---|------------------------|
| ** 1 | 43396 | Console Cover | 1 |
| * | 40621 | Console Cover Assembly (Faucet Mount), OPTIONAL. | 1 |
| * | 40496 | Spacer (Faucet Mount), OPTIONAL. | 1 |
| 2 | 40101 | Set Screw | 1 |
| 3 | 41554 | Handwheel | 1 |
| 4 | 41084 | Front Bearing | 1 |
| 5 | 42862 | Tilt Shaft | 1 |
| 6 | 42342 | Tilt Label | 1 |
| 7 | 40169 | Trunnion Housing Assembly | 1 |
| 8 | 41564 | Key | 1 |
| 9 | 40126 | Retaining Ring | 1 |
| 10 | 40075 | Arm | 1 |
| 11 | 43004 | Flat Washer 3/8 | As Required |
| 12 | 43397 | Hex Socket Cap Screw, 3/8 - 16 x 2 - 1/8 | 1 |
| 13 | 43398 | Hex Socket Cap Screw, 3/8 - 16 x 1 - 1/4 | 8 |
| 14 | 41088 | Chain Link | 1 |
| 15 | 41232 | Screw Jack | 1 |
| 16 | 43399 | Base Assembly | 1 |
| 17 | 43400 | Base Bracket Assembly | 1 |
| 18 | 41083 | Bearing | 2 |
| 19 | 41474 | Adjustable Foot | 2 |
| 20 | 43401 | Side Panel | 1 |
| 21 | 40076 | Truss HD Slot Screw, 10 - 32 x 1/2 | 10 |
| 22 | 40708 | Terminal Block Section | 2 |
| 23 | 40707 | End Section | 1 |
| 24 | 42013 | Earth ID Tag | 1 |
| 25 | 43003 | Flat Washer #10 | 2 |

FIGURE 3

| <u>ITEM</u> | <u>Part Number</u> | <u>DESCRIPTION</u> | <u>QUANTITY</u> |
|--------------------|---------------------------|--|------------------------|
| 26 | 43402 | Truss HD Phillips Drive, 10 - 32 x 1-1/4 | 2 |
| 27 | 43403 | RD HD Slot Drive Screws 8 - 32 x 1/4 | 3 |
| 28 | 43404 | External Tooth Washer # 8 | 3 |
| 29 | 43405 | Pin | 1 |
| 30 | 43406 | Hex Socket Set Screw 1/4 - 20 x 1/2 | 1 |
| 31 | 43407 | Lock Washer 3/8 | As Required |
| 32 | 40108 | Hex Nut 3/8 - 16 | 7 |
| 33 | 40887 | Grease Nipple, 1/8 NPT | 1 |
| 34 | 43408 | Flat Washer 5/16 | 2 |
| 35 | 40099 | Hex Nut 5/16 - 18 | 2 |
| 36 | 41233 | Flexible Shaft Assembly | 1 |
| 37 | 42797 | Nylon Shaft Guide | 2 |
| 38 | 43409 | Set Screw 1/4 - 28 x 3/8 | 1 |
| 39 | 43410 | External Retaining Ring | 1 |
| 40 | 43411 | Key | 2 |
| 41 | 41086 | Sprocket | 1 |
| 42 | 43412 | Output Shaft | 1 |
| 43 | 41085 | Sprocket | 1 |
| 44 | 41087 | Chain | 1 |
| * 45 | 40730 | Single Faucet 12", OPTIONAL | 1 |
| * 45 | 40727 | Double Faucet 12", OPTIONAL | 1 |

* NOT SHOWN.

** SELECT AS REQUIRED.

FIGURE 4

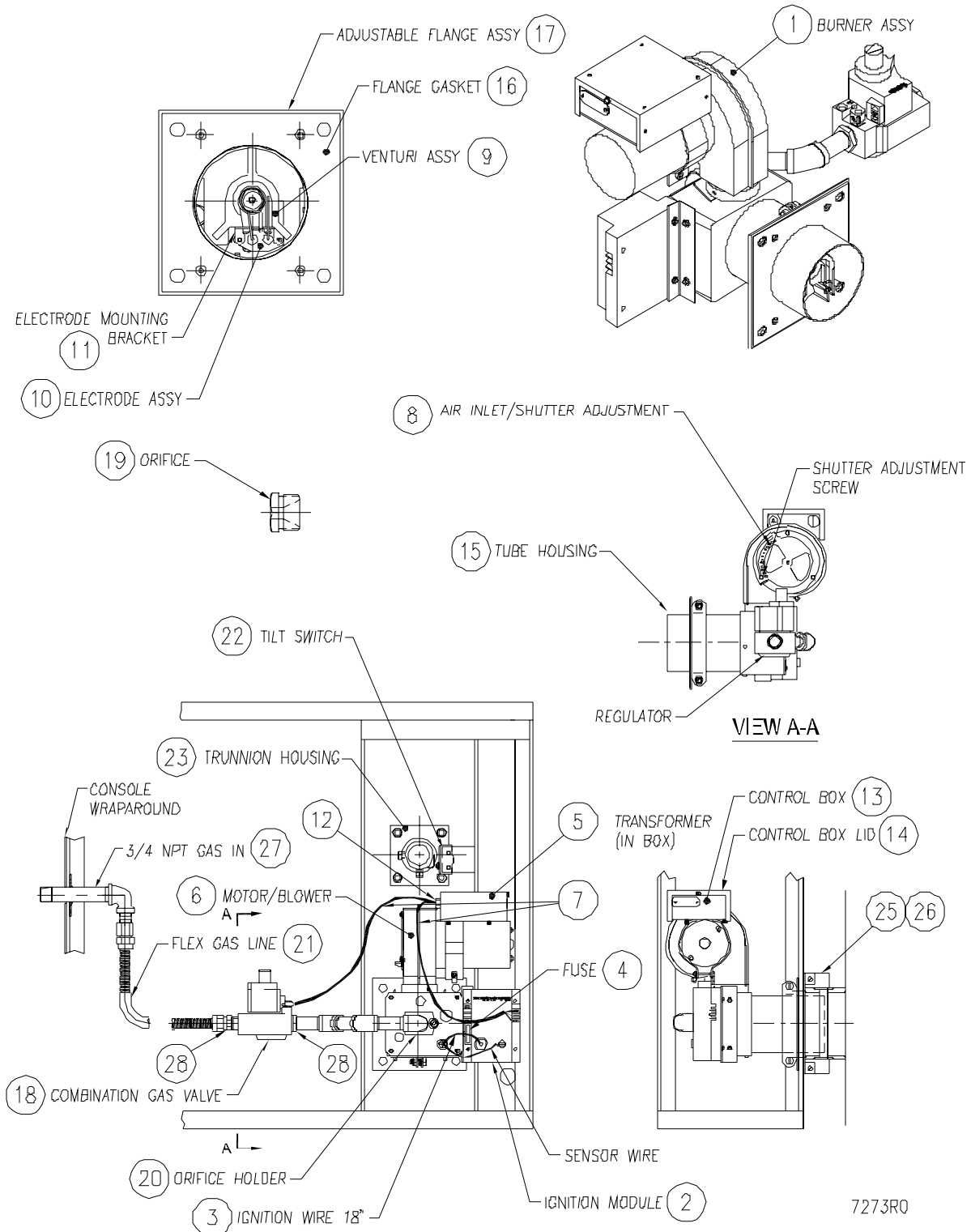


FIGURE 4

| <u>ITEM</u> | <u>Part Number</u> | <u>DESCRIPTION</u> | <u>20</u> | <u>30</u> <u>40</u> | <u>60</u> | |
|-------------|--------------------|--------------------|---------------------------------------|------------------------|-----------|---|
| ** | 1 | 42589 | Complete Burner Assembly, Natural Gas | 1 | | |
| | | 42592 | Complete Burner Assembly, LP Gas | 1 | | |
| | | 42588 | Complete Burner Assembly, Natural Gas | | 1 | |
| | | 42591 | Complete Burner Assembly, LP Gas | | 1 | |
| | | 42593 | Complete Burner Assembly, Natural Gas | | | 1 |
| | | 42590 | Complete Burner Assembly, LP Gas | | | 1 |
| | 2 | 40503 | DSI Module | 1 | 1 | 1 |
| | 3 | 42450 | Ignition Wire 18" | 1 | 1 | 1 |
| | 4 | 41861 | Fuse, 250V, 3 Amp. | 1 | 1 | 1 |
| | 5 | 40505 | Transformer, 120/24V, 50/60, 30 VA | 1 | 1 | 1 |
| | 6 | 42445 | Motor/Blower, 115V/50/60 HZ | 1 | 1 | 1 |
| | 7 | 42595 | Control/Ignition Module, Wire Harness | 1 | 1 | 1 |
| | 8 | 42981 | Air Shutter Assembly | 1 | 1 | 1 |
| | 9 | 42983 | Venturi Assembly | 1 | 1 | 1 |
| | 10 | 42449 | Electrode Assembly | 1 | 1 | 1 |
| | 11 | 42984 | Electrode Mounting Bracket | 1 | 1 | 1 |
| | 12 | 42986 | Adaptor Bushing 7/8" | 1 | 1 | 1 |
| | 13 | 42987 | Control Box with Strap | 1 | 1 | 1 |
| | 14 | 42988 | Control Box Lid | 1 | 1 | 1 |
| | 15 | 42989 | Tube/Housing 6" | 1 | 1 | 1 |
| | 16 | 42990 | Flange Gasket 6-1/2" Square | 1 | 1 | 1 |
| | 17 | 42980 | Adj. Flange Assembly, 6-1/2" Square | 1 | 1 | 1 |
| | 18 | 41107 | Gas Valve (Natural/L.P.) | 1 | 1 | 1 |
| ** | 19 | 42975 | Orifice #19, Natural Gas | 1 | | |
| | | 42978 | Orifice #30, L.P. Gas | 1 | | |
| | | 42974 | Orifice #13, Natural Gas | | 1 | |
| | | 42977 | Orifice #27, L.P. Gas | | 1 | |
| | | 42979 | Orifice #7, Natural Gas | | | 1 |
| ** | 19 | 42976 | Orifice #23, L.P. Gas | | | 1 |
| | 20 | 42982 | Orifice Holder | 1 | 1 | 1 |
| | 21 | 41804 | Gas Flex Tube | 1 | 1 | 1 |
| | 22 | 40938 | Interlock Switch | 1 | 1 | 1 |

FIGURE 4

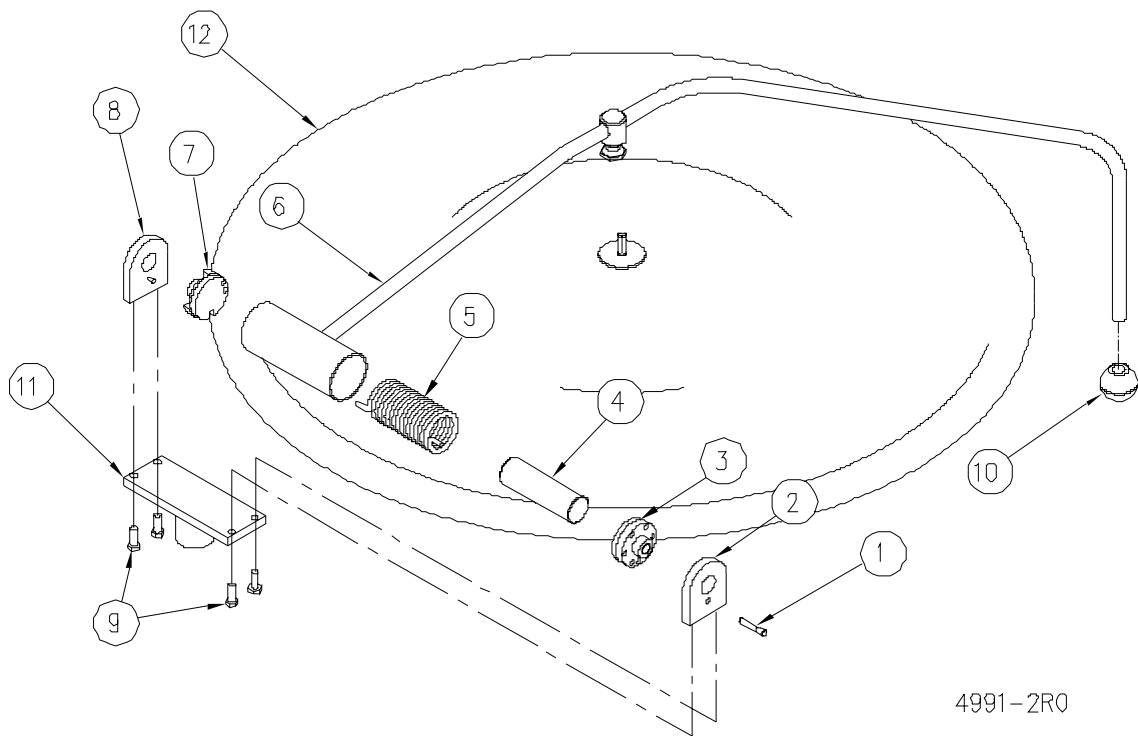
| <u>ITEM</u> | <u>Part Number</u> | <u>DESCRIPTION</u> | <u>20</u> | <u>30</u> <u>40</u> | <u>60</u> |
|-------------|--------------------|-----------------------------|-----------|------------------------|-----------|
| | 23 40169 | Trunnion Housing Assembly | 1 | 1 | 1 |
| * ** | 24 40242 | Console Cover | 1 | 1 | 1 |
| | 40243 | Console Cover - Hinge Mount | 1 | 1 | 1 |
| | 25 40167 | Console Nozzle Assembly | 1 | 1 | 1 |
| | 26 40168 | Nozzle Cover | 1 | 1 | 1 |
| | 27 42547 | Gas Supply Pipe Assembly | 1 | 1 | 1 |
| | 28 42594 | Hex Bushing, 1/2 x 3/4 | 2 | 2 | 2 |

* NOT SHOWN.

** SELECT AS REQUIRED.

FIGURE 5

SPRING ASSIST HINGE ASSEMBLY



4991-2R0

FIGURE 5

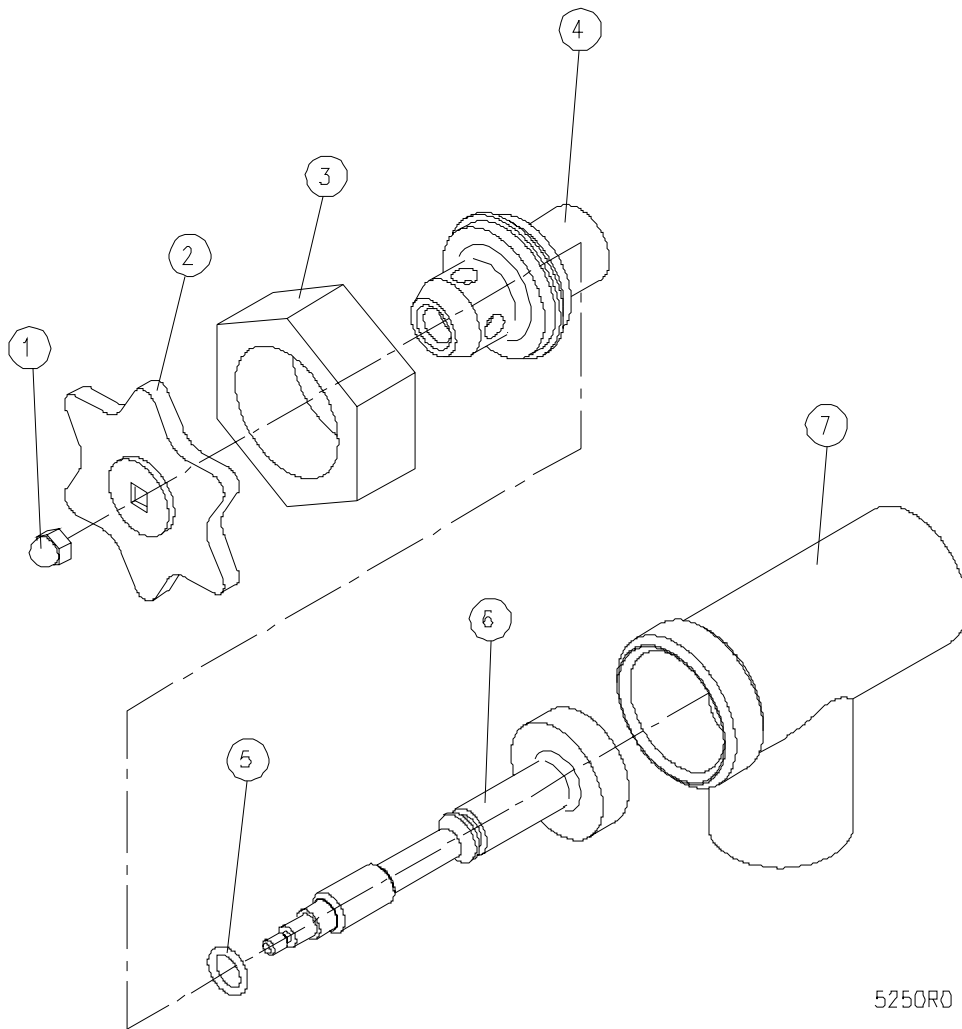
SPRING ASSIST HINGE ASSEMBLY

| <u>ITEM</u> | <u>Part Number</u> | <u>DESCRIPTION</u> | <u>QUANTITY</u> | |
|--------------------|---------------------------|---------------------------|---------------------------------------|---|
| | 42112 | HINGE ASSEMBLY | | |
| 1 | 41543 | Lock Pin | 1 | |
| 2 | 41546 | End Lock Plate | 1 | |
| 3 | 43106 | Stationary Disc | 1 | |
| 4 | 41100 | Core | 1 | |
| 5 | 41526 | Spring | 1 | |
| ** | 6 | 41538 | Handle Assembly (20 Gallon) | 1 |
| | | 41539 | Handle Assembly (30, 40 Gallon) | 1 |
| | | 41531 | Handle Assembly (60 Gallon) | 1 |
| 7 | 43107 | Rotary Disc | 1 | |
| 8 | 41520 | End Stop Plate | 1 | |
| 9 | 40098 | Cap Screws | 4 | |
| 10 | 40259 | Knob | 1 | |
| ** | 11 | 42713 | Hinge Support Riser (20, 30, 40 Gal.) | 1 |
| | | 42714 | Hinge Support Riser (60 Gal.) | 1 |
| ** | 12 | 40017 | Cover, 20 Gallon Kettle | 1 |
| | | 41514 | Cover, 30-40 Gallon Kettle | 1 |
| | | 41515 | Cover, 60 Gallon Kettle | 1 |

** SELECT AS REQUIRED.

FIGURE 7

DRAW-OFF VALVE



5250R0

FIGURE 7

| <u>ITEM</u> | <u>Part Number</u> | <u>DESCRIPTION</u> | <u>QUANTITY</u> |
|--------------------|---------------------------|---------------------------------|------------------------|
| | 40553 | 1 -1/2" DRAW-OFF VALVE ASSEMBLY | |
| 1 | 41809 | Acorn Nut 10-24 UNC | 1 |
| 2 | 40662 | Handle, Stainless Steel | 1 |
| 3 | 40560 | Bonnet | 1 |
| 4 | 40559 | Gland Nut | 1 |
| 5 | 40562 | "O" Ring | 1 |
| 6 | 40561 | Stem Assembly | 1 |
| 7 | 43246 | Valve Body | 1 |

| <u>ITEM</u> | <u>Part Number</u> | <u>DESCRIPTION</u> | <u>QUANTITY</u> |
|--------------------|---------------------------|----------------------------|------------------------|
| | 40554 | 2" DRAW OFF-VALVE ASSEMBLY | |
| 1 | 41809 | Acorn Nut 10-24 UNC | 1 |
| 2 | 40662 | Handle, Stainless Steel | 1 |
| 3 | 40564 | Bonnet | 1 |
| 4 | 40563 | Gland Nut | 1 |
| 5 | 40566 | "O" Ring | 1 |
| 6 | 40565 | Stem Assembly | 1 |
| 7 | 42481 | Valve Body | 1 |

| <u>ITEM</u> | <u>Part Number</u> | <u>DESCRIPTION</u> | <u>QUANTITY</u> |
|--------------------|---------------------------|----------------------------|------------------------|
| | 40556 | 3" DRAW-OFF VALVE ASSEMBLY | |
| 1 | 40567 | Acorn Nut, 7/16 - 14 UNC | 1 |
| 2 | 40568 | Handle, Stainless Steel | 1 |

| | | | |
|---|-------|---------------|---|
| 3 | 40570 | Bonnet | 1 |
| 4 | 40569 | Gland Nut | 1 |
| 5 | 40572 | "O" Ring | 1 |
| 6 | 40571 | Stem Assembly | 1 |
| 7 | 43248 | Valve Body | 1 |