



**DUNKIN'  
DONUTS**

**1048DD SERIES  
GAS DECK OVEN  
REPLACEMENT PARTS LIST**

**JULY 11, 2011**

**BLODGETT OVEN COMPANY**, 44 Lakeside Avenue, Burlington, Vermont 05401 USA

Telephone: (802) 658-6600 Fax: (802) 860-3732

*www.blodgett.com*

*P/N 54118*

Superseding All Previous Parts Lists.

The Company reserves the right to make substitution in the event that items specified are not available.

ERRORS: Descriptive and/or typographic errors are subject to correction.

**www.blodgett.com**

# 1048DD

**IMPORTANT:** When ordering parts, please provide the model, gas type and serial number of the oven. The identification plate is located on the inside of the burner compartment door on the

- ASAP Distributor Required Stocking Parts
- ◆ Doors Are Not Returnable
- \* Item Is Too Large For UPS

## BURNER & PIPING ASSEMBLY

| Ref. No. | Part No. | Description  |
|----------|----------|--|
|          | 33900    | Steel Tube Burners (Set of 2)                              |
|          | 16361    | Air Shutter Only   |
|          | 3001     | Locknut for Air Shutter                                    |
|          | 18419    | Manifold Assy.   |
|          | 8717     | Orifice, Main Burner (Set of 2) (Specify Model & Gas Type) |
|          | 19964    | Manifold Tube w/ Fittings                                  |
|          | R4435    | Manual Gas Valve   |

## BURNER COMPARTMENT COMPONENTS

| Ref. No. | Part No. | Description                   |
|----------|----------|-------------------------------|
|          | 33135    | Hot Surface Ignitor & Bracket |
|          | 33133    | Flame Sensing Kit             |

## BAKING COMPARTMENT

| Ref. No. | Part No. | Description  |
|----------|----------|--|
| *        | 24664    | Ultra Rokite Deck Assy. (1-1/2" x 24" x 36") (2 Piece) |

## STEAM GENERATOR COMPONENTS

| Ref. No. | Part No.                                  | Description                |
|----------|---|----------------------------|
|          | 33136                                     | Cord Set, NEMA-15-50P      |
|          | 15183                                     | Strain Relief              |
|          | 33265                                     | Site Glass, Generator      |
|          | <input checked="" type="checkbox"/> 33266 | Pressure Control Generator |
| 29       | 32893                                     | Solenoid, Steam            |
| 20       | 33264                                     | Steam Trap                 |

## ELECTRICAL COMPONENTS

| Ref. No. | Part No. | Description                          |
|----------|----------|--------------------------------------|
| 19       | 21134    | Axial Fan , 115V, 3" (Qty 3)         |
|          | 32863    | Probe, Upper                         |
|          | 32901    | Probe, Deck                          |
| 3        | 4888     | Lug, Grounding                       |
| 4        | 3574     | Terminal Block 65A, 600V             |
| 5        | 31274    | Transformer, 120V/240V               |
| 6        | 19619    | Rocker Switch, DPST                  |
| 7        | 32889    | Control, Solid State Digital w/Steam |
| 8        | 30851    | Control, Hot Surface Ignitor         |
|          | 34749    | Phase II, Retrofit Kit               |

## DOOR COMPONENTS

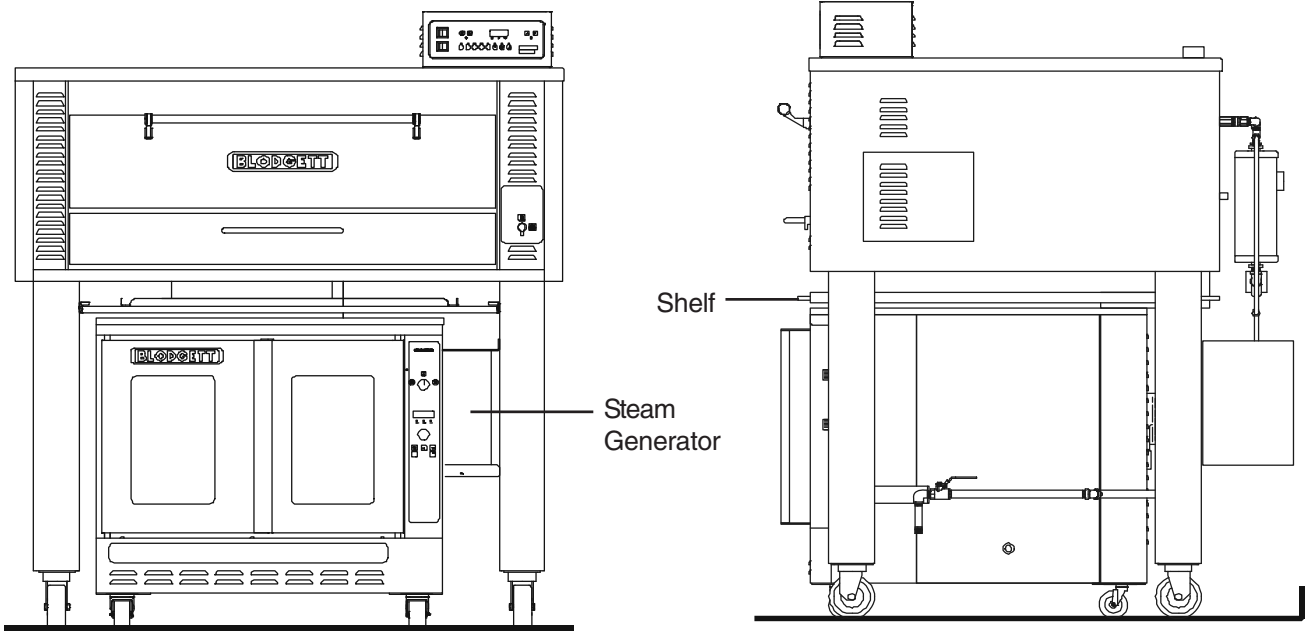
| Ref. No. | Part No. | Description           |
|----------|----------|-----------------------|
|          | 5878     | Spirol Pin            |
|          | 32796    | Holder Assy, Spring   |
|          | 19780    | Spring 6-1/2"         |
|          | 17623    | Bearing, Cylindrical  |
|          | 17624    | Bearing, Flanged Door |

## EXTERIOR COMPONENTS

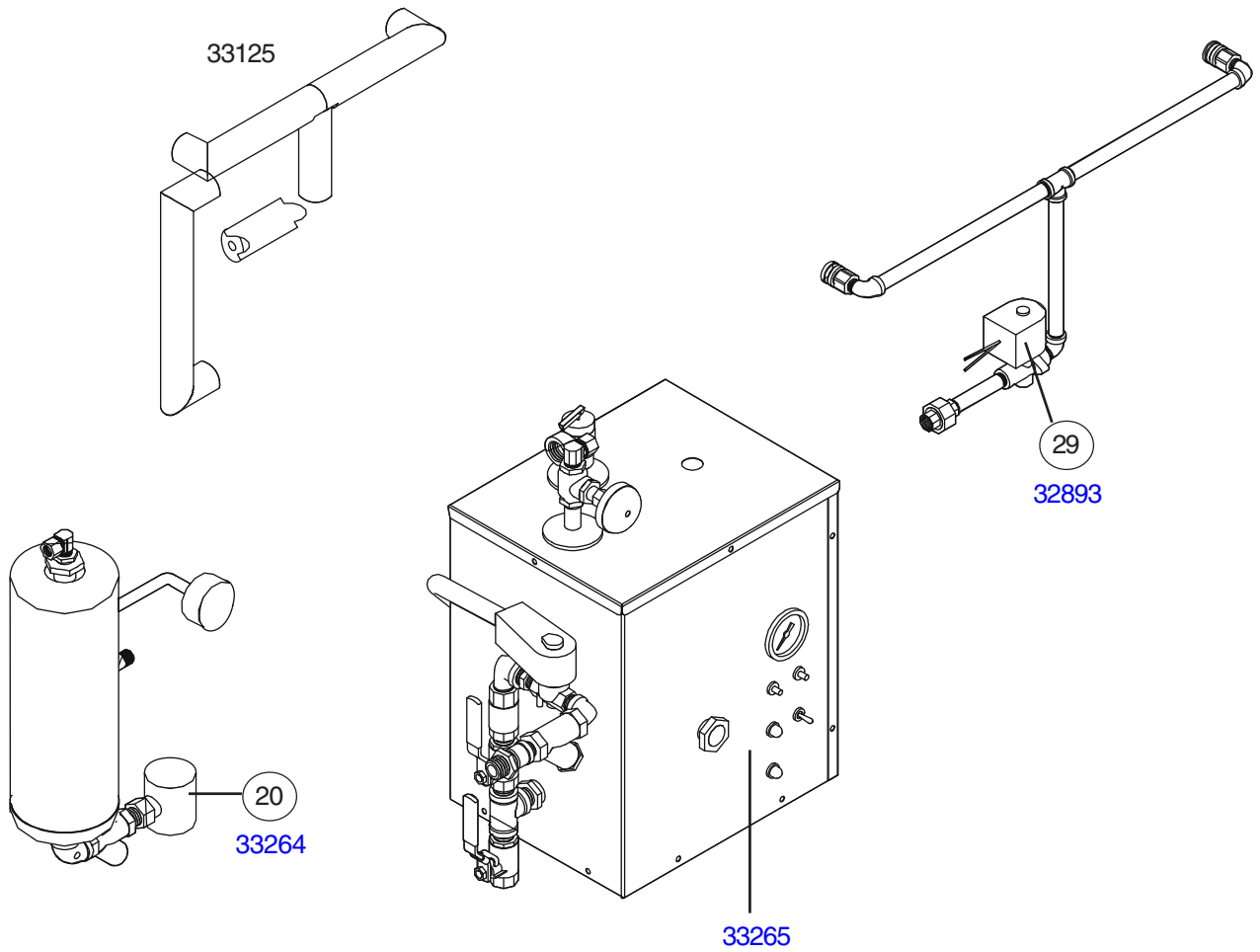
| Ref. No. | Part No. | Description                                   |
|----------|----------|---|
|          | 7840     | Draft Diverter, Canopy Venting, S/S           |
|          | 7839     | Draft Hood, Direct Venting, S/S (6" Diameter) |
|          | 21242    | Gas Connector Kit, 48"                        |
|          | 11255    | Nameplate, Blodgett 12-3/4"                   |
|          | 33125    | Insulation Kit, Steam Pipe                    |

**The Following Parts Are For Stacking on DFG100 ONLY**

|       |                                 |
|-------|---------------------------------|
| 19528 | Casters, Low Profile (Set of 4) |
| 33022 | Flue Connector, DFG100          |



### STEAM GENERATOR AND PIPING



# CONTROL BOX ASSEMBLY

