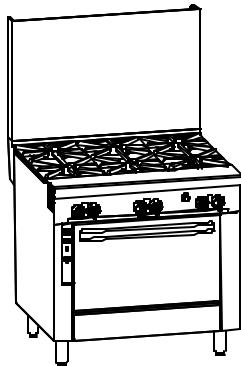
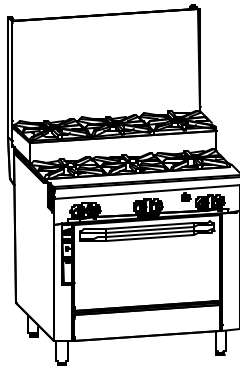


BLODGETT RANGE

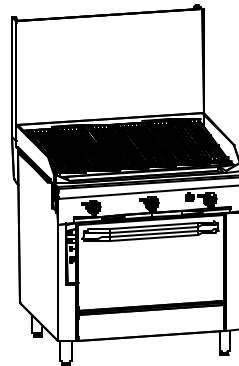
SAFFIRE SERIES SECTIONAL RANGE REPLACEMENT PARTS LIST



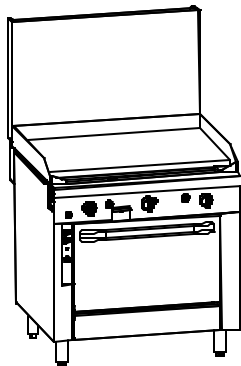
Model B36A-BBB



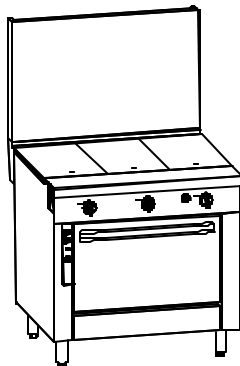
Model B36A-BBB-SU



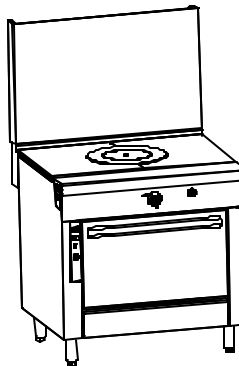
Model B36A-CCC



Model B36A-TTT



Model B36A-HHH



Model B36A-GRAD

BLODGETT OVEN COMPANY, 44 Lakeside Avenue, Burlington, Vermont 05401 USA

Telephone: (802) 860-3700 (800) 331-5842 Fax: (802) 860-3732

www.blodgett.com

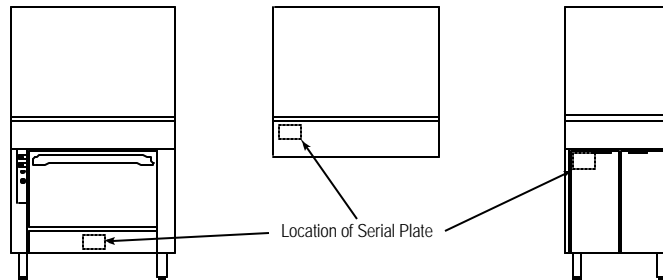
Superseding All Previous Parts Lists.

The Company reserves the right to make substitution in the event that items specified are not available.

ERRORS: Descriptive and/or typographic errors are subject to correction.

www.blodgett.com

IMPORTANT: When ordering parts, please provide the model, gas type and serial number of the unit. The identification plate is located on the back center of the unit.



MODELS COVERED

Flush 35K-Open-Burner Models:

B12N-B, B12C-B, B24N-BB, B24C-BB, B36N-BBB, B36C-BBB, B36D-BBB, & B36A-BBB45K-

Open-Burner Models:

B36N-XX, B36C-XX, B36D-XX, & B36A-XX Step-Up 35K-

Open-Burner Models:

B24N-BB-SU, B24C-BB-SU, B36N-BBB-SU, B36C-BBB-SU, B36D-BBB-SU, & B36A-BBB-SU

Charbroiler Models:

B24N-CC, B24C-CC, B36N-CCC, B36C-CCC, B36D-CCC, B36A-CCC, B48N-CCCC, B48D-CCCC, & B48A-CCCC

Standard Griddle Models:

B12N-G, B12C-G, B24N-GG, B24C-GG, B36N-GGG, B36C-GGG, B36D-GGG, B36A-GGG, B48N-GGGG, B48D-GGGG, & B48A-GGGG

Thermostatic Griddle Models:

B24N-TT, B24C-TT, B36N-TTT, B36C-TTT, B36D-TTT, B36A-TTT, B48N-TTTT, B48D-TTTT, & B48A-TTTT

Hot-Top Models:

B12N-H, B12C-H, B24N-HH, B24C-HH, B36N-HHH, B36C-HHH, B36D-HHH, & B36A-HHH

Graduated Hot-Top Models:

B36N-GRAD, B36C-GRAD, B36D-GRAD, & B36A-GRAD

TO OBTAIN LITERATURE:

Blodgett Literature Department

800-331-5842, x2035

Fax: 802-860-3755

Email: literature@blodgett.com

or

www.blodgett.com

TABLE OF CONTENTS

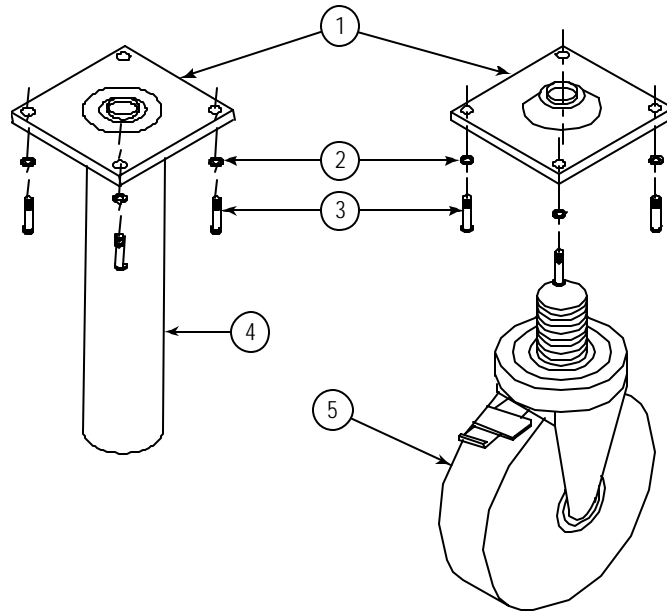
FRONT RAIL PARTS	PAGE 4
LEG AND CASTER PARTS	PAGE 5
35K OPEN BURNER EXTERNAL AND STRUCTURAL PARTS	PAGE 6 & 7
35K OPEN BURNER GAS TRAIN PARTS	PAGE 8 & 9
45K OPEN BURNER PARTS	PAGE 10 & 11
CHARBROILER EXTERNAL AND STRUCTURAL PARTS	PAGE 12 & 13
CHARBROILER AND STANDARD GRIDDLE GAS TRAIN PARTS	PAGE 14
GAS CONNECTION PARTS	PAGE 15
GRIDDLE EXTERNAL AND STRUCTURAL PARTS	PAGE 16 & 17
THERMOSTATIC GRIDDLE GAS TRAIN PARTS	PAGE 18 & 19
UNIFORM HOT TOP PARTS	PAGE 20 & 21
GRADUATED HOT TOP PARTS	PAGE 22 & 23
OVEN BASE PARTS	PAGE 24 & 25
CONVECTION OVEN BLOWER PARTS	PAGE 26
MODULAR COUNTERTOP BASE PARTS	PAGE 27
CABINET BASE PARTS	PAGE 28
FLUE RISER PARTS	PAGE 29 & 30
SIDE PANEL AND BATTERY ASSEMBLY PARTS	PAGE 31
EXCLUSIVE TO STANDING PILOT OVENS	PAGE 32

FRONT RAIL PARTS

<u>Models</u>	<u>Key</u>	<u>Part Number</u>	<u>Description</u>
B12-B, B12-B-SU, B12-H	1	Z1184889	ASM, RAIL, 12" OPN.GRAD TOP (with belly bar)
		Z1184767	ASM, RAIL, 12" OPN.GRAD TOP (with slot for sauce pans)
B24-BB, B24-BB-SU, B24-HH	1	Z1184890	ASM, RAIL, 24" OPN.GRAD TOP (with belly bar)
		Z1184765	ASM, RAIL, 24" OPN.GRAD TOP (with slot for sauce pans)
B36-BBB, B36-BBB-SU, B36-GRAD, B36-HHH, B36-XX	1	Z1184891	ASM, RAIL, 36" OPN.GRAD TOP (with belly bar)
		Z1184763	ASM, RAIL, 36" OPN.GRAD TOP (with slot for sauce pans)
B12-G	2	Z1184402	ASM, RAIL, 12" GRI/CHR (with belly bar)
B24-CC, B24-GG, B24-TT	2	Z1184403	ASM, RAIL, 24" GRI/CHR (with belly bar)
B36-CCC, B36-GGG, B36-TTT	2	Z1184404	ASM, RAIL, 36" GRI/CHR (with belly bar)
B48-CCCC, B48-GGGG, B348-TTTT	2	Z1184405	ASM, RAIL, 48" GRI/CHR (with belly bar)

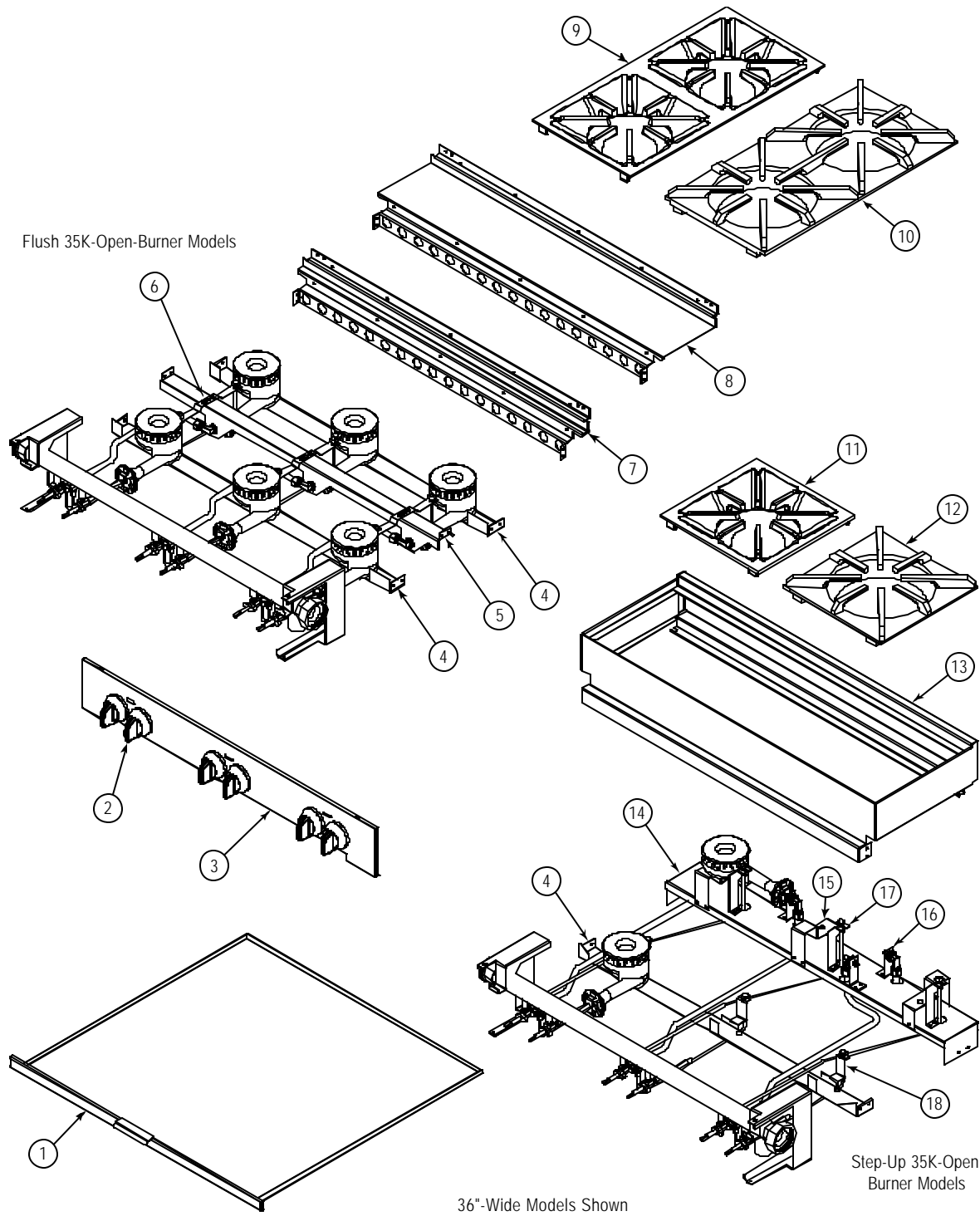
NO DRAWING AVAILABLE

LEG & CASTER PARTS



<u>Key</u>	<u>Part Number</u>	<u>Qty</u>	<u>Description</u>
1	Z1172650	4	LEG PAD (3/4 X 10 HOLE)
2	Z1146500	16	1/4 LOCK WASHER
3	Z1146201	16	1/4 X 30 X 3/4 HEX HEAD
4	Z1174260	1	LEG PACKAGE (set of four legs, not including bolts, leg pads, or lock washers)
	Z1174262	1	EARTHQUAKE LEGS SS (set of four)
5	Z1174265	1	CASTER PACKAGE (two casters with brake and two without brake)
<i>NOTE:</i>			<i>Does not include bolts, lock washers, or leg pads</i>

35K-OPEN-BURNER EXTERNAL AND STRUCTURAL PARTS

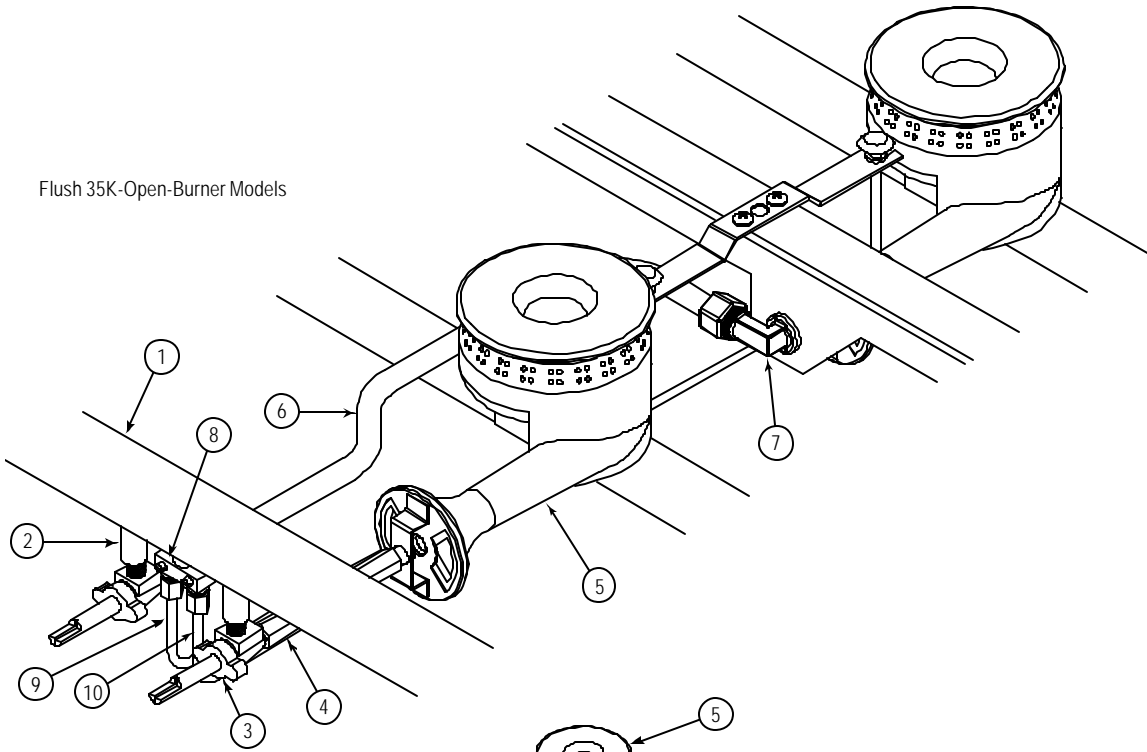


35K-OPEN-BURNER EXTERNAL AND STRUCTURAL PARTS

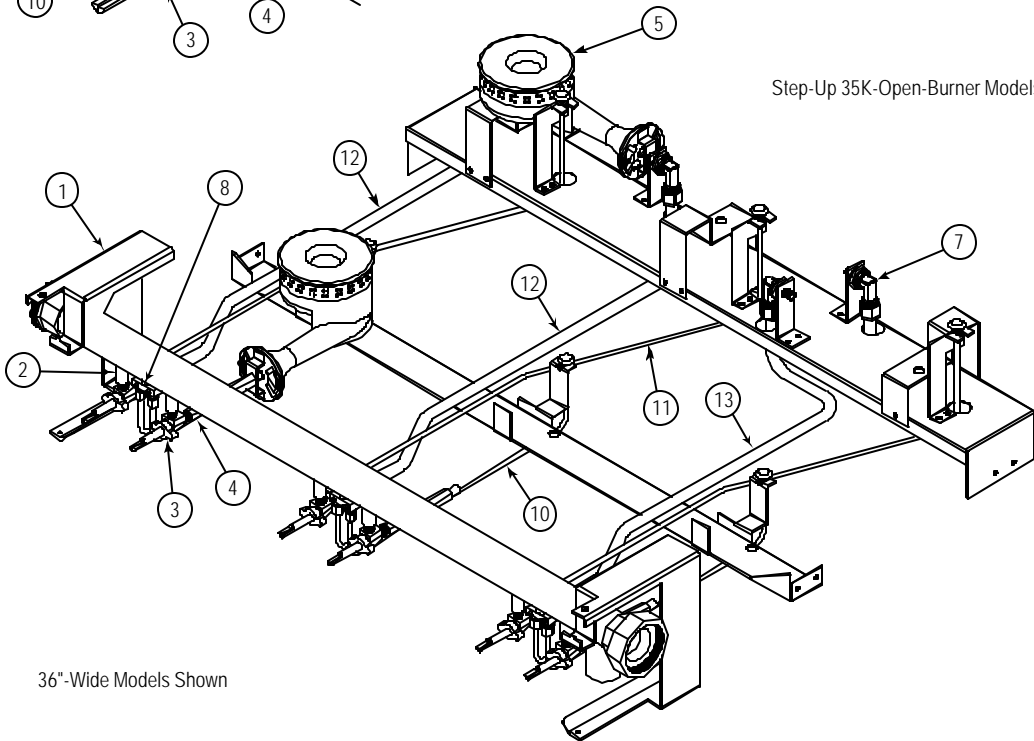
<u>Key</u>	<u>Part Number</u>	<u>Quantity*</u>		<u>Description</u>	
	FOR MODELS:	12"	24"	36"	
1	Z1183978	1	-	-	TRAY ASSEMBLY, 12" CRUMB
	Z1183974	-	1	-	TRAY ASSEMBLY, 24" CRUMB
	Z1183972	-	-	1	TRAY ASSEMBLY, 36" CRUMB
2	Z1184192	2	4	6	KNOB
3	Z1184729	1	-	-	VALVE PANEL, 12C-B (cabinet base)
	Z1184730	1	-	-	VALVE PANEL, 12N-B (modular-countertop base)
	Z1184727	-	1	-	VALVE PANEL, 24C-BB (cabinet base)
	Z1184728	-	1	-	VALVE PANEL, 24N-BB (modular-countertop base)
	Z1183614	-	-	1	VALVE PANEL, 36A/D-BBB (oven base)
	Z1184610	-	-	1	VALVE PANEL, 36C-BBB (cabinet base)
	Z1184609	-	-	1	VALVE PANEL, 36N-BBB (modular-countertop base)
4	Z1184760	2	-	-	BURNER REST, 12
	Z1184759	-	**	-	BURNER REST, 24
	Z1184758	-	-	**	BURNER REST, 36
5	Z1183883	1	-	-	SUPPORT, 12 PILOT (for flush-top models)
	Z1183882	-	1	-	SUPPORT, 24 PILOT (for flush-top models)
	Z1183601	-	-	1	SUPPORT, 36 PILOT (for flush-top models)
6	Z1180872	1	2	3	BRACKET, PILOT SUPPORT (for flush-top models)
7	Z1183888	1	-	-	TRIM, 12 FLUE RISER
	Z1183886	-	1	-	TRIM, 24 FLUE RISER
	Z1183531	-	-	1	TRIM, 36 FLUE RISER
8	Z1183900	1	-	-	TRIM, 42 DEEP 12 FLUE RISER
	Z1183898	-	1	-	TRIM, 42 DEEP 24 FLUE RISER
	Z1183589	-	-	1	TRIM, 42 DEEP 36 FLUE RISER
9	Z1183500	1	2	3	CAST IRON GRATE, SECTIONAL
10	Z1184847	1	2	3	WELDED GRATE, SECTIONAL
11	Z1183501	-	4	6	CAST IRON GRATE, SECTIONAL HALF (for step-up models)
2	Z1184870	-	4	6	WELDED GRATE, SECTIONAL HALF (for step-up models)
13	Z1184672	-	1	-	SUPPORT W/A, STEP-UP 24" GRATE

35K-OPEN-BURNER GAS TRAIN PARTS

Flush 35K-Open-Burner Models



Step-Up 35K-Open-Burner Models

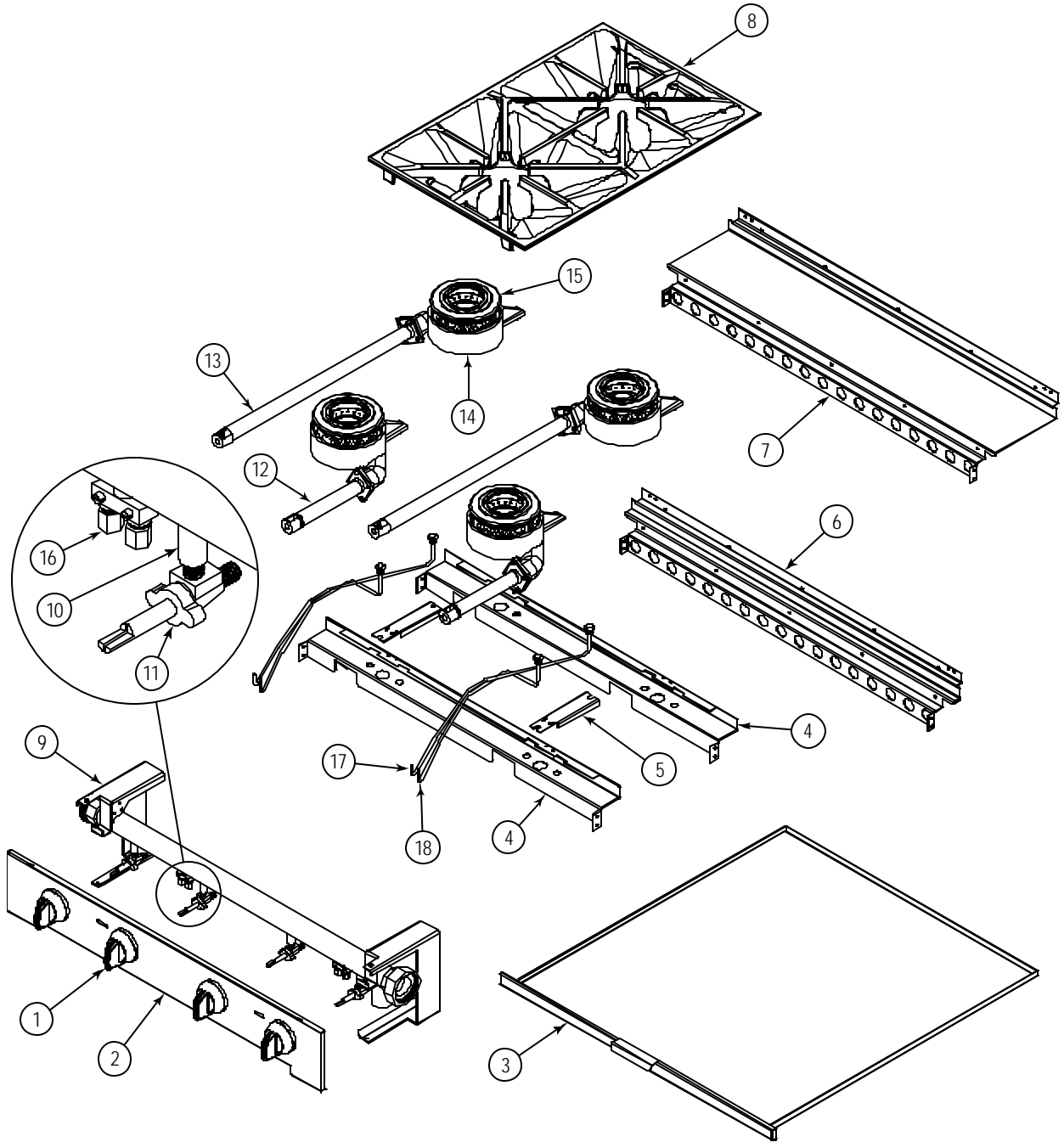


36"-Wide Models Shown

35K-OPEN-BURNER GAS TRAIN PARTS

<u>Key</u>	<u>Part Number</u>	<u>Quantity*</u>			<u>Description</u>
	FOR MODELS:	12"	24"	36"	
1	Z1183923	1	-	-	MANIFOLD W/A, 2 BURNER OPEN TOP
	Z1183922	-	1	-	MANIFOLD W/A, 4 BURNER OPEN TOP
	Z1183593	-	-	1	MANIFOLD W/A, 6 BURNER OPEN TOP
2	Z1179222	2	4	6	NIPPLE, EXTENSION
3	Z1178202	2	4	6	VALVE, HI-OFF, NAT/LP
4	Z1179188	1	2	3	EXTENSION, ORIFICE
	Z1008737	2	4	6	ORIFICE, NAT GAS
	NOTE:	<i>If operating above 2000 ft, contact Blodgett Technical Service for appropriate orifice size</i>			
	Z1008752	2	4	6	ORIFICE, PROPANE
	NOTE:	<i>If operating above 2000 ft, contact Blodgett Technical Service for appropriate orifice size</i>			
5	Z1182193	2	4	6	BURNER ASSEMBLY, OPEN TOP (shutter - Z1182157, screen- Z1146237)
	Z1182195	1	2	3	FITTING, 1/2" COMP 1/4" NPT connects rear-burner gas tube to valve
6	Z1182192	1	2	3	TUBE, REAR BURNER
7	Z1182191	1	2	3	ORIFICE FITTING
8	Z1166004	1	2	3	FITTING, DOUBLE PILOT, 3/16" TUBE
9	Z1183605	1	2	3	PILOT TUBE W/A REAR
10	Z1183603	1	2	3	PILOT TUBE W/A FRONT
11	Z1177106	-	2	3	TUBE ASM, REAR BURNER PILOT or rear pilots of step-up models
12	Z1184646	-	1	2	TUBE, REAR BURNER STEP-UP for left rear burner of step-up models, and center rear burner of 36"-wide step-up model
13	Z1184647	-	1	1	TUBE, REAR BURNER STEP-UP for right rear burner of step-up models
	NOTE:	*Quantity of part used may depend on width of section (12", 24", or 36").			

45K-OPEN-BURNER PARTS

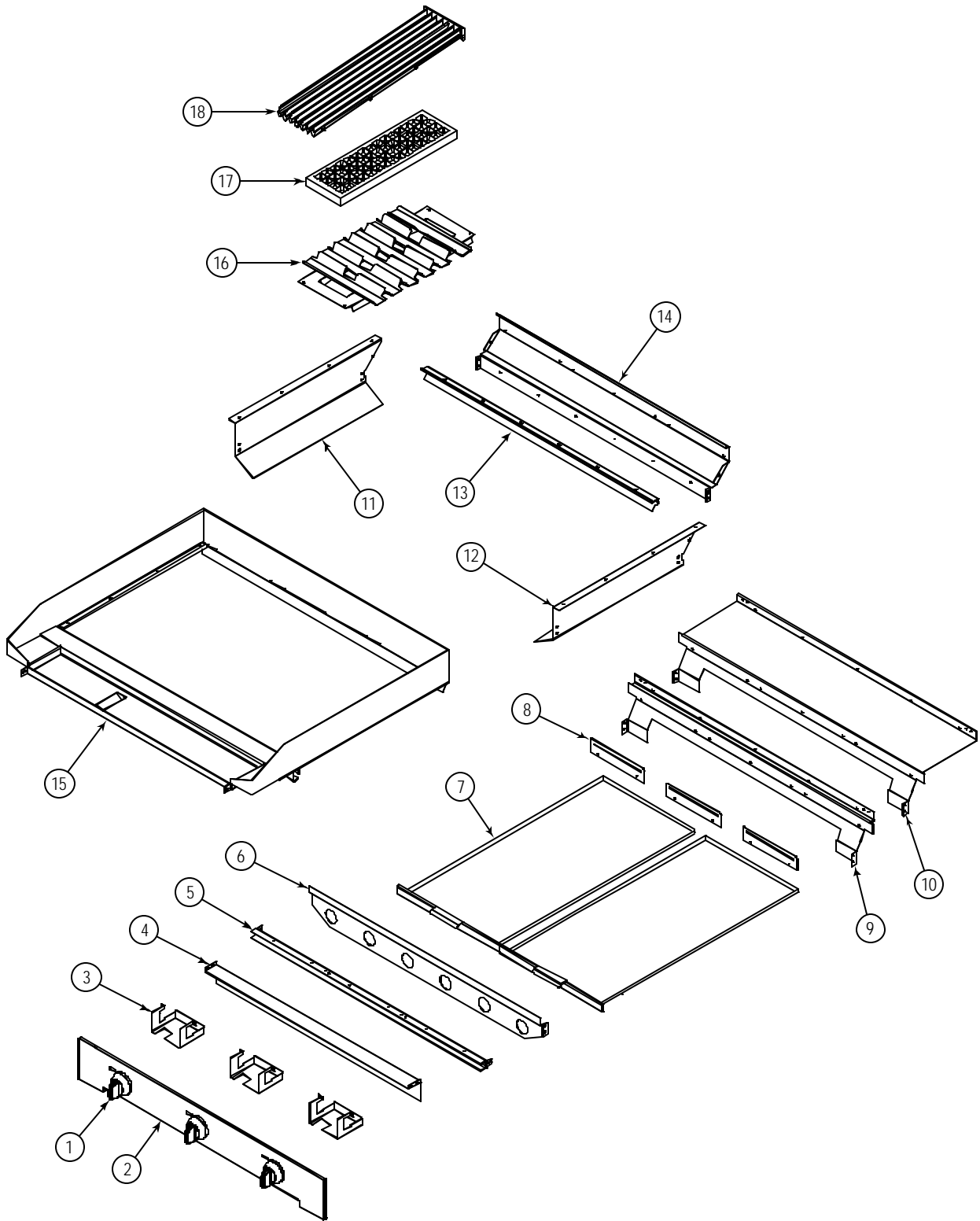


45K-OPEN-BURNER PARTS

<u>Key</u>	<u>Part Number</u>	<u>Qty</u>	<u>Description</u>
1	Z1184689	4	KNOB
2	Z1184415	1	VALVE PANEL, 36A/D-XX (oven base)
	Z1184407	1	VALVE PANEL, 36C -XX (cabinet base)
	Z1184406	1	VALVE PANEL, 36N-XX (modular-countertop base)
3	Z1183972	1	TRAY ASSEMBLY, 36" CRUMB
4	Z1185008	2	BURNER SUPPORT
5	Z1179229	2	SUPPORT, PILOT
6	Z1183531	1	TRIM 36 DEEP 36 FLUE RISER
7	Z1183589	1	TRIM 42 DEEP 36 FLUE RISER
8	Z1184499	2	CAST IRON GRATE
*	Z1184846	2	WELDED GRATE
9	Z1184883	1	MANIFOLD W/A
10	Z1179222	4	NIPPLE, EXTENSION
11	Z1178202	4	VALVE, HI-OFF, NAT/LP
*	Z1008735	4	ORIFICE, NAT GAS
	NOTE:		<i>If operating above 2000 ft, contact Blodgett Technical Service for appropriate orifice size</i>
	Z1008750	4	ORIFICE, PROPANE
	NOTE:		<i>If operating above 2000 ft, contact Blodgett Technical Service for appropriate orifice size</i>
12	Z1179240	2	BURNER, VENTURI (for front burners)
13	Z1179241	2	BURNER, VENTURI (for rear burners)
14	Z1179230	4	BURNER HEAD, 40
15	Z1177043	4	COVER, BURNER DRIP
16	Z1166004	2	FITTING, DOUBLE PILOT, 3/16" TUBE
17	Z1179246	2	PILOT W/A, REAR
18	Z1179244	2	PILOT W/A, FRONT

NOTE: *Quantity of part used may depend on width of section (12", 24", or 36").

CHARBROILER EXTERNAL & STRUCTURAL PARTS

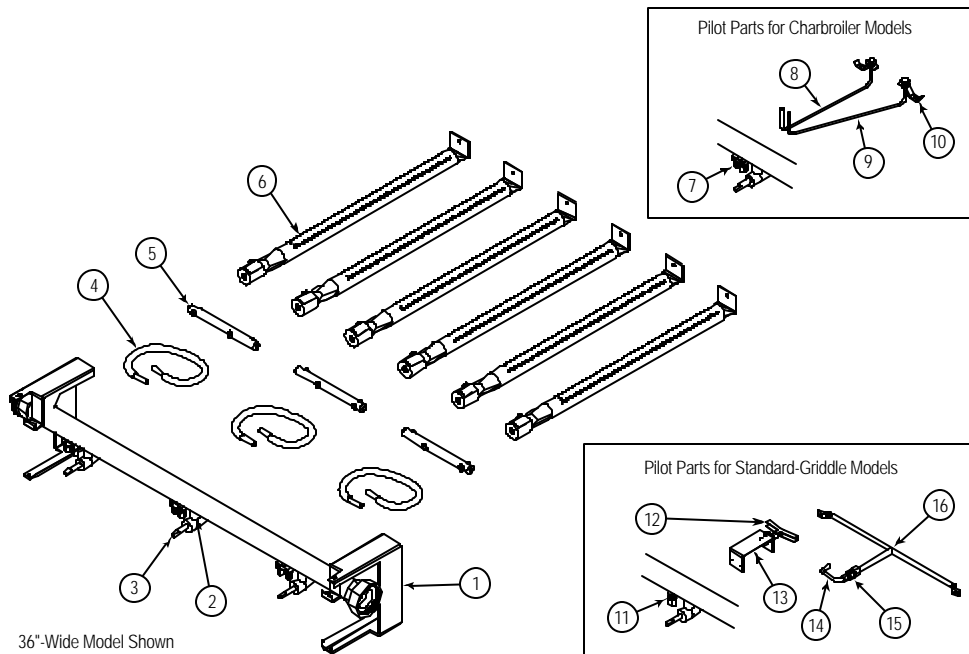


CHARBROILER EXTERNAL & STRUCTURAL PARTS

<u>Key</u>	<u>Part Number</u>	<u>Quantity*</u>		<u>Description</u>	
	FOR MODELS:	12"	24"	36"	
1	Z1184689	2	3	4	KNOB
2	Z1184519	1	-	-	VALVE PANEL, 24C-CC, SS
	Z1184521	1	-	-	VALVE PANEL, 24N-CC, SS
	Z1183641	-	1	-	VALVE PANEL, 36A/D-CCC, SS
	Z1183643	-	1	-	VALVE PANEL, 36C-CCC, SS
	Z1183642	-	1	-	VALVE PANEL, 36N-CCC, SS
	Z1185396	-	-	1	VALVE PANEL, 48A/D-CCCC, SS
	Z1185397	-	-	1	VALVE PANEL, 48C-CCCC, SS
	Z1185398	-	-	1	VALVE PANEL, 48N-CCCC, SS
3	Z1184773	2	3	4	COVER, VALVE SHIELD
4	Z1184523	1	-	-	SHIELD, 24" VALVE HEAT
	Z1184522	-	1	-	SHIELD, 36" VALVE HEAT
	Z1185379	-	-	1	SHIELD, 48" VALVE HEAT
5	Z1183896	1	-	-	BURNER REST, 24 CHAR/GRI
	Z1183524	-	1	-	BURNER REST, 36 CHAR/GRI
	Z1183895	-	-	1	BURNER REST, 48 CHAR/GRI
6	Z1183901	1	-	-	SHIELD, 24" CHARBROILER HEAT
	Z1184543	-	1	-	SHIELD, 36" CHARBROILER HEAT
	Z1185388	-	-	1	SHIELD, 48" CHARBROILER HEAT
7	Z1183974	2	-	-	TRAY W/A, 24 CHARBROILER CRUMB
	Z1184772	-	2	-	TRAY W/A, 36 CHARBROILER CRUMB
	Z1185401	-	-	1	TRAY W/A, 48 CHARBROILER CRUMB LT
	Z1185486	-	-	1	TRAY W/A, 48 CHARBROILER CRUMB RT
8	Z1184994	2	3	4	BRACKET, RADIANT STOP
9	Z1183890	1	-	-	TRIM, CHAR/GRI 24 FLUE RISER
	Z1183635	-	1	-	TRIM, CHAR/GRI 36 FLUE RISER
	Z1183889	-	-	1	TRIM, CHAR/GRI 48 FLUE RISER
10	Z1183893	1	-	-	TRIM, 42 DEEP CHAR/GRI 24 FLUE RISER
	Z1183590	-	1	-	TRIM, 42 DEEP CHAR/GRI 36 FLUE RISER
	Z1183892	-	-	1	TRIM, 42 DEEP CHAR/GRI 48 FLUE RISER
11	Z1183541	1	1	1	SHIELD, LEFT DRIP
12	Z1183542	1	1	1	SHIELD, RIGHT DRIP
13	Z1183610	1	-	-	SUPPORT, 24" CHRBRRLR GRATE
	Z1183609	-	1	-	SUPPORT, 36" CHRBRRLR GRATE
	Z1183649	-	-	1	SUPPORT, 48" CHRBRRLR GRATE
14	Z1183926	1	-	-	SHIELD, 24" REAR DRIP
	Z1183525	-	1	-	SHIELD, 36" REAR DRIP
	Z1183928	-	-	1	SHIELD, 48" REAR DRIP
15	Z1183786	1	-	-	CHARBROILER W/A, 24
	Z1183646	-	1	-	CHARBROILER W/A, 36
	Z1183789	-	-	1	CHARBROILER W/A, 48
16	Z1183676	2	3	4	RADIANT W/A
17	Z1182657	4	6	8	GRATE, LAVA ROCK
	Z1173193	4	6	8	LAVA ROCK BRIQUETTES, BAG
18	Z1178976	4	6	8	CHARBROILER GRID
	Z1182838	4	6	8	PLATED FISH GRID

NOTE: *Quantity of part used may depend on width of section (12", 24", or 36").

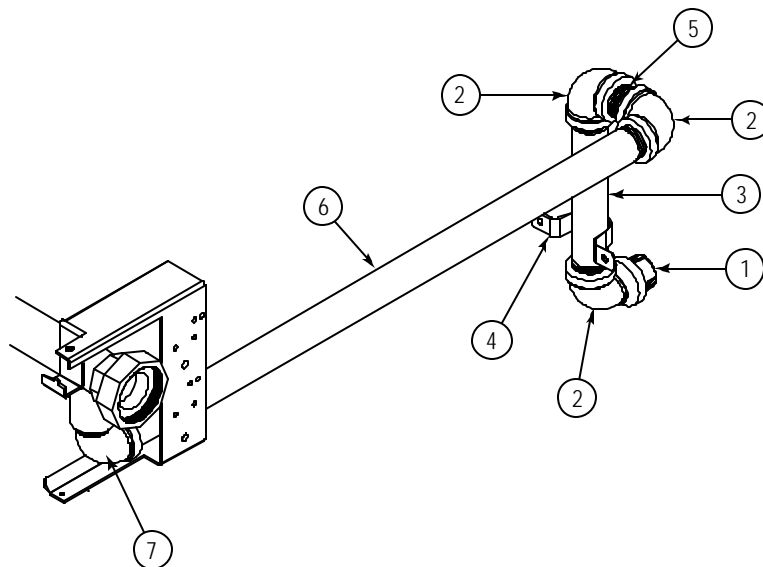
CHARBROILER AND STANDARD-GRIDDLE GAS TRAIN PARTS



Key	Part Number	Quantity*			Description
FOR MODELS:		12"	24"	36"	
1	Z1183920	1	-	-	MANIFOLD W/A, 12, CHAR/GRI SECT
	Z1183919	-	1	-	MANIFOLD W/A, 24, CHAR/GRI SECT
	Z1183675	-	-	1	MANIFOLD W/A, 36, CHAR/GRI SECT
	Z1183921	-	-	1	MANIFOLD W/A, 48, CHAR/GRI SECT
2	Z1179222	1	2	3	4 NIPPLE, EXTENSION
3	Z1176008	1	2	3	4 VALVE, BURNER, NAT
4	Z1183503	1	2	3	4 TUBE, 3/8" X 9" FLEXIBLE
5	Z1183680	1	2	3	4 MANIFOLD, DUAL BURNER ORIFICE
**	Z1008748	2	4	6	8 ORIFICE, NAT GAS
	<i>NOTE:</i>	<i>If operating above 2000 ft, contact Blodgett Technical Service for appropriate orifice size</i>			
	Z1008756	2	4	6	8 ORIFICE, PROPANE
	<i>NOTE:</i>	<i>If operating above 2000 ft, contact Blodgett Technical Service for appropriate orifice size</i>			
6	Z1182762	2	4	6	8 BURNER ASSEMBLY, CHARBROILER
7	Z1166004	1	2	3	4 FITTING, DOUBLE PILOT, 3/16" TUBE
8	Z1184505	1	2	3	4 TUBE W/A, CHAR. LEFT PILOT
9	Z1184506	1	2	3	4 TUBE W/A, CHAR. RIGHT PILOT
10	Z1182821	2	4	6	8 BRACKET, PILOT
11	Z1099002	1	1	1	1 PILOT ADJUST
	Z1184541	1	1	1	2 PILOT GAS TUBE
12	Z1183686	1	1	1	2 ASSEMBLY, PILOT, NAT
13	Z1185651	1	1	1	2 BRACKET, PILOT (use both pieces)
	Z1185652	1	1	1	2 BRACKET, PILOT (use both pieces)
14	Z1183573	-	1	2	2 TUBE, RUNNER TUBE ORIFICE
15	Z1183584	-	1	2	2 FITTING, NAT 3/8 REDUCER
16	Z1183536	-	1	2	2 TUBE ASSEMBLY, PILOT RUNNER

NOTE: *Quantity of part used may depend on width of section (12", 24", or 36").

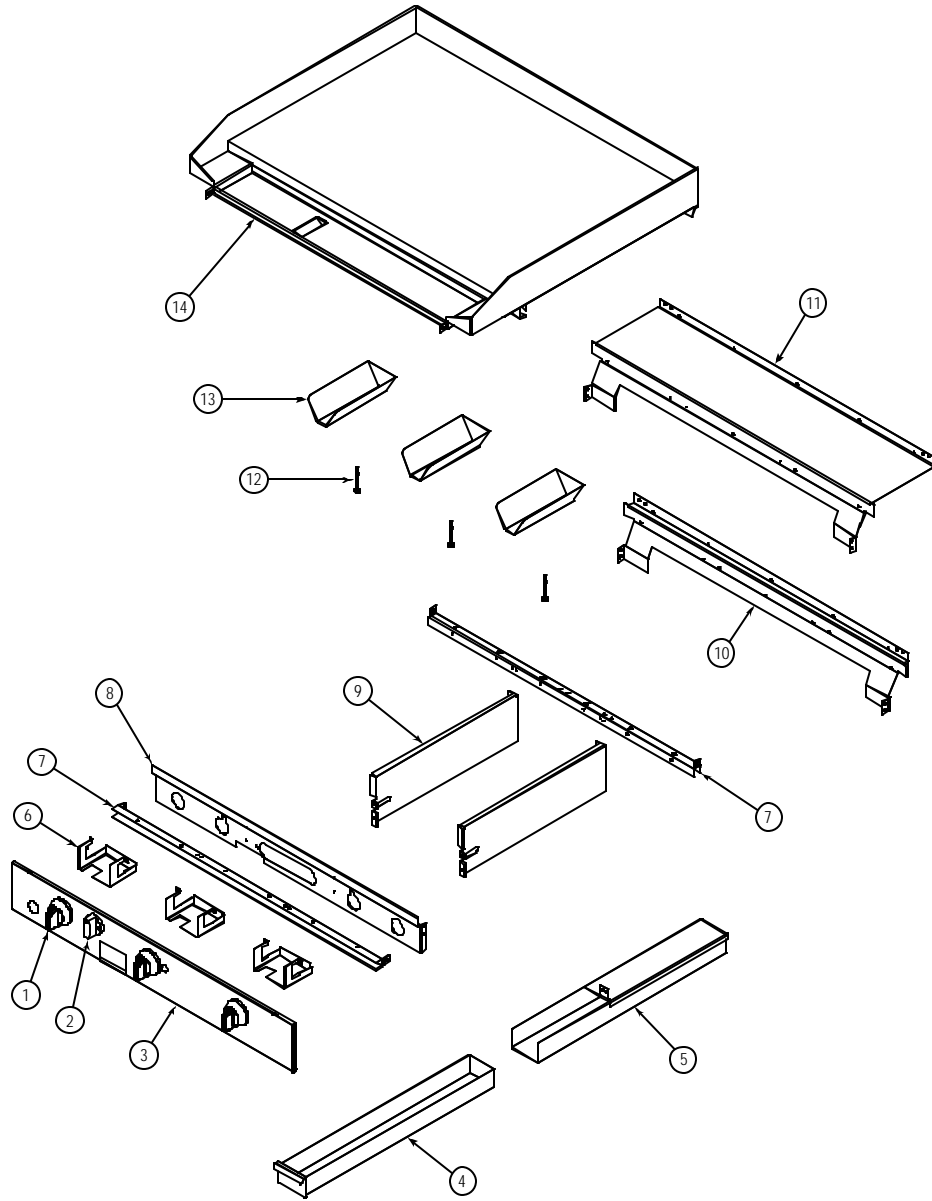
GAS CONNECTION PARTS



Key	Part Number	Qty	Description
1	Z1147005	1	1" PIPE CAP
2	Z1146905	2	1" 90 DEGREE ELBOW
3	Z1163489	1	REAR GAS STUB
4	Z1184777	1	STRAP, 1-1/4" PIPE
5	Z1146808	1	1" PIPE NIPPLE
6	Z1174747	1	TAIL PIPE
7	Z1146911	1	ELBOW, ST., BLK, 1" 90 DEGREE
	Z4450009	*	PRESSURE REGULATOR 1-1/4" 2,500,000 BTU NAT
	Z4450010	*	PRESSURE REGULATOR 1-1/4" 2,500,000 BTU LP
	Z1167782	*	PRESSURE REGULATOR 1" 600,000 BTU NAT
	Z1167783	*	PRESSURE REGULATOR 1" 600,000 BTU LP
	Z4450008	*	1-1/4" GAS SHUT OFF VALVE
	Z4450007	*	1" GAS SHUT OFF VALVE
	Z1130195	*	1" QUICK DISCONNECT, 48" FLEX HOSE
	Z1130194	*	1" QUICK DISCONNECT, 60" FLEX HOSE

NOTE: *Quantity of part used may depend on width of section (12", 24", or 36").

GRIDDLE EXTERNAL & STRUCTURAL PARTS

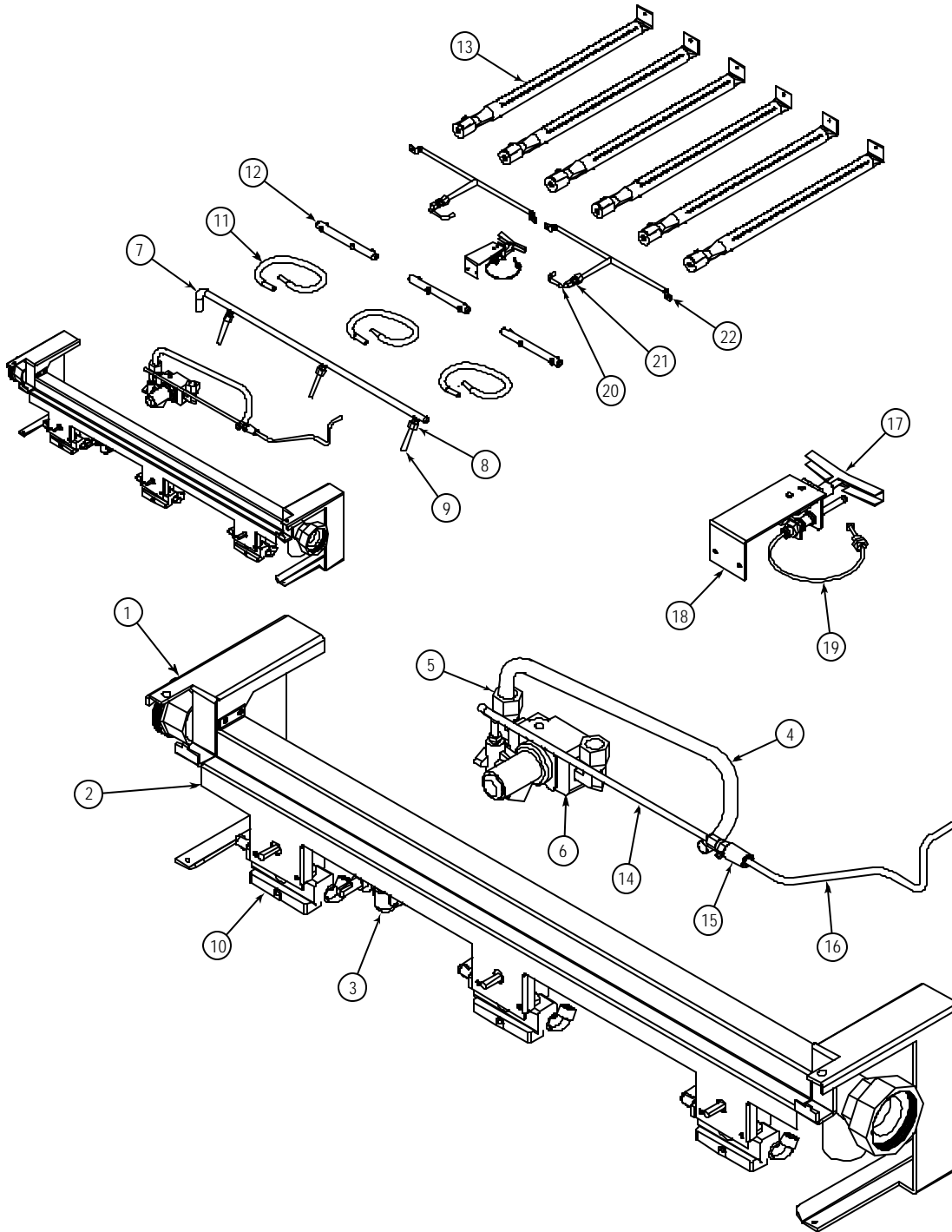


GRIDDLE EXTERNAL & STRUCTURAL PARTS

<u>Key</u>	<u>Part Number</u>	<u>Quantity*</u>			<u>Description</u>	
	FOR MODELS:	12"	24"	36"		
1	Z1184192	1	2	3	4	KNOB
2	Z1073497	1	2	3	4	KNOB ASM, VALVE
3	Z1184653	1	-	-	-	VALVE PANEL, 12C-G, SS
	Z1184657	1	-	-	-	VALVE PANEL, 12N-G, SS
	Z1184651	-	1	-	-	VALVE PANEL, 24C-GG, SS
	Z1184518	-	1	-	-	VALVE PANEL, 24C-TT, SS
	Z1174655	-	1	-	-	VALVE PANEL, 24N-GG, SS
	Z1184516	-	1	-	-	VALVE PANEL, 24N-TT, SS
	Z1184601	-	-	1	-	VALVE PANEL, 36A/D-GGG, SS
	Z1183963	-	-	1	-	VALVE PANEL, 36A/D-TTT, SS
	Z1184602	-	-	1	-	VALVE PANEL, 36C-GGG, SS
	Z1183962	-	-	1	-	VALVE PANEL, 36C-TTT, SS
	Z1184600	-	-	1	-	VALVE PANEL, 36N-GGG, SS
	Z1183961	-	-	1	-	VALVE PANEL, 36N-TTT, SS
	Z1185380	-	-	-	1	VALVE PANEL, 48A/D-GGGG, SS
	Z1185393	-	-	-	1	VALVE PANEL, 48A/D-TTTT, SS
	Z1185385	-	-	-	1	VALVE PANEL, 48C-GGGG, SS
	Z1185393	-	-	-	1	VALVE PANEL, 48C-TTTT, SS
	Z1185386	-	-	-	1	VALVE PANEL, 48N-GGGG, SS
	Z1185395	-	-	-	1	VALVE PANEL, 48N-TTTT, SS
4	Z1183696	1	1	1	1	GREASE DRAWER W/A
5	Z1183691	1	1	1	1	GREASE DRAWER BASE W/A
6	Z1184773	1	2	3	4	COVER, VALVE SHIELD
7	Z1183897	2	-	-	-	BURNER REST, 12 CHAR/GRI
	Z1183896	-	2	-	-	BURNER REST, 24 CHAR/GRI
	Z1183524	-	-	2	-	BURNER REST, 36 CHAR/GRI
	Z1183895	-	-	-	2	BURNER REST, 48 CHAR/GRI
8	Z1183903	1	-	-	-	SHIELD, 12" GRIDDLE HEAT
	Z1183902	-	1	-	-	SHIELD, 24" GRIDDLE HEAT
	Z1183653	-	-	1	-	SHIELD, 36" GRIDDLE HEAT
	Z1185387	-	-	-	1	SHIELD, 48" GRIDDLE HEAT
9	Z1183685	-	1	2	3	BURNER BOX DIVIDER
10	Z1183891	1	-	-	-	TRIM, CHAR/GRI 12 FLUE RISER
	Z1183890	-	1	-	-	TRIM, CHAR/GRI 24 FLUE RISER
	Z1183635	-	-	1	-	TRIM, CHAR/GRI 36 FLUE RISER
	Z1183889	-	-	-	1	TRIM, CHAR/GRI 48 FLUE RISER
11	Z1183894	1	-	-	-	TRIM, 42 DEEP CHAR/GRI 12 FLUE RISER
	Z1183893	-	1	-	-	TRIM, 42 DEEP CHAR/GRI 24 FLUE RISER
	Z1183590	-	-	1	-	TRIM, 42 DEEP CHAR/GRI 36 FLUE RISER
	Z1183892	-	-	-	1	TRIM, 42 DEEP CHAR/GRI 48 FLUE RISER
12	Z1146383	-	2	3	4	BOLT, HEX, 5/16-18X5LG. (thermostatic griddles only)
13	Z1183692	-	2	3	4	SHIELD, T'STAT BULB (thermostatic griddles only)
14	Z1184944	1	-	-	-	GRIDDLE W/A, 12 STANDARD
	Z1183784	-	1	-	-	GRIDDLE W/A, 24 STANDARD
	Z1183785	-	-	1	-	GRIDDLE W/A, 36 STANDARD
	Z1185378	-	-	-	1	GRIDDLE W/A, 48 STANDARD
	Z1183783	-	1	-	-	GRIDDLE W/A, 24 T-STAT
	Z1183656	-	-	1	-	GRIDDLE W/A, 36 T-STAT
	Z1185464	-	-	-	1	GRIDDLE W/A, 48 T-STAT

NOTE: *Quantity of part used may depend on width of section (12", 24", or 36").

THERMOSTATIC GRIDDLE GAS TRAIN PARTS

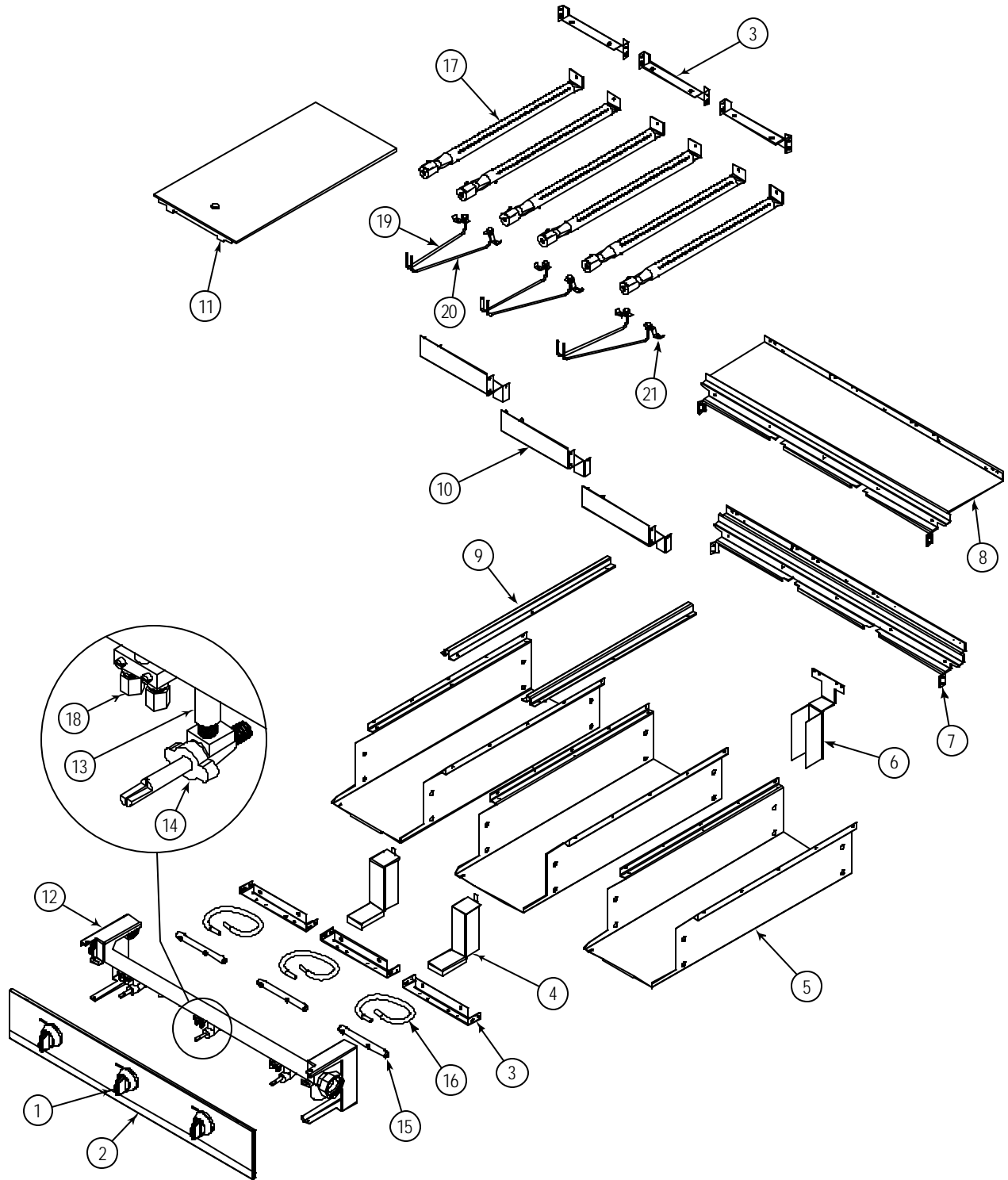


THERMOSTATIC GRIDDLE GAS TRAIN PARTS

<u>Key</u>	<u>Part Number</u>	<u>Quantity*</u>			<u>Description</u>
	FOR MODELS:	12"	24"	36"	
1	Z1183919	1	-	-	MANIFOLD W/A, 24, CHAR/GRI SECT
	Z1183675	-	1	-	MANIFOLD W/A, 36, CHAR/GRI SECT
	Z1183921	-	-	1	MANIFOLD W/A, 48, CHAR/GRI SECT
2	Z1183925	1	-	-	SUPPORT, 24 THERMOSTAT
	Z1183545	-	1	-	SUPPORT, 36 THERMOSTAT
	Z1185392	-	-	1	SUPPORT, 48 THERMOSTAT
3	Z1183549	1	1	2	VALVE, 200K BURNER
4	Z1183550	1	1	2	TUBE, ON/OFF VALVE GAS
5	Z1160008	1	1	2	ELBOW, BRASS
6	Z1182594	1	1	2	SAFETY VALVE SINGLE
7	Z1185389	1	-	-	MANIFOLD, T'STAT GRIDDLE FEEDER 24
	Z1183682	-	1	-	MANIFOLD, T'STAT GRIDDLE FEEDER 36
	Z1185390	-	-	1	MANIFOLD, T'STAT GRIDDLE FEEDER 48
8	Z1176385	2	3	4	FITTING, STRAIGHT
9	Z1174542	2	3	4	TUBE, T-GRID MANIFOLD TO T'STAT
10	Z1182553	2	3	4	SNAP ACTION GRIDDLE THERMOSTAT
11	Z1183503	2	3	4	TUBE, 3/8" X 9" FLEXIBLE
12	Z1183680	2	3	4	MANIFOLD, DUAL BURNER ORIFICE
	Z1008748	4	6	8	ORIFICE, NAT GAS
	NOTE:	<i>If operating above 2000 ft, contact Blodgett Technical Service for appropriate orifice size</i>			
	Z1008756	4	6	8	ORIFICE, PROPANE
	NOTE:	<i>If operating above 2000 ft, contact Blodgett Technical Service for appropriate orifice size</i>			
13	Z1182762	4	6	8	BURNER ASSEMBLY, CHARBROILER
14	Z1184540	1	1	2	TUBE, T-GRID LT PILOT ADJUST
15	Z1164085	1	1	2	VALVE ASM, PILOT
16	Z1184541	1	1	2	TUBE, T-GRID RT PILOT ADJUST
17	Z1183686	1	1	2	ASSEMBLY, PILOT w/SHIELD
18	Z1185651	1	1	2	BRACKET, PILOT (use both pieces)
18	Z1185652	1	1	2	BRACKET, PILOT (use both pieces)
19	Z1182580	1	1	2	THERMOCOUPLE, 24 IN
20	Z1183573	1	2	2	TUBE, RUNNER TUBE ORIFICE
21	Z1183584	1	2	2	FITTING, NAT 3/8 REDUCER
22	Z1183536	1	2	2	TUBE ASSEMBLY, PILOT RUNNER
	Z1181536	1	2	2	RUNNER TUBE BRACKETS

NOTE: *Quantity of part used may depend on width of section (12", 24", or 36").

UNIFORM HOT TOP PARTS

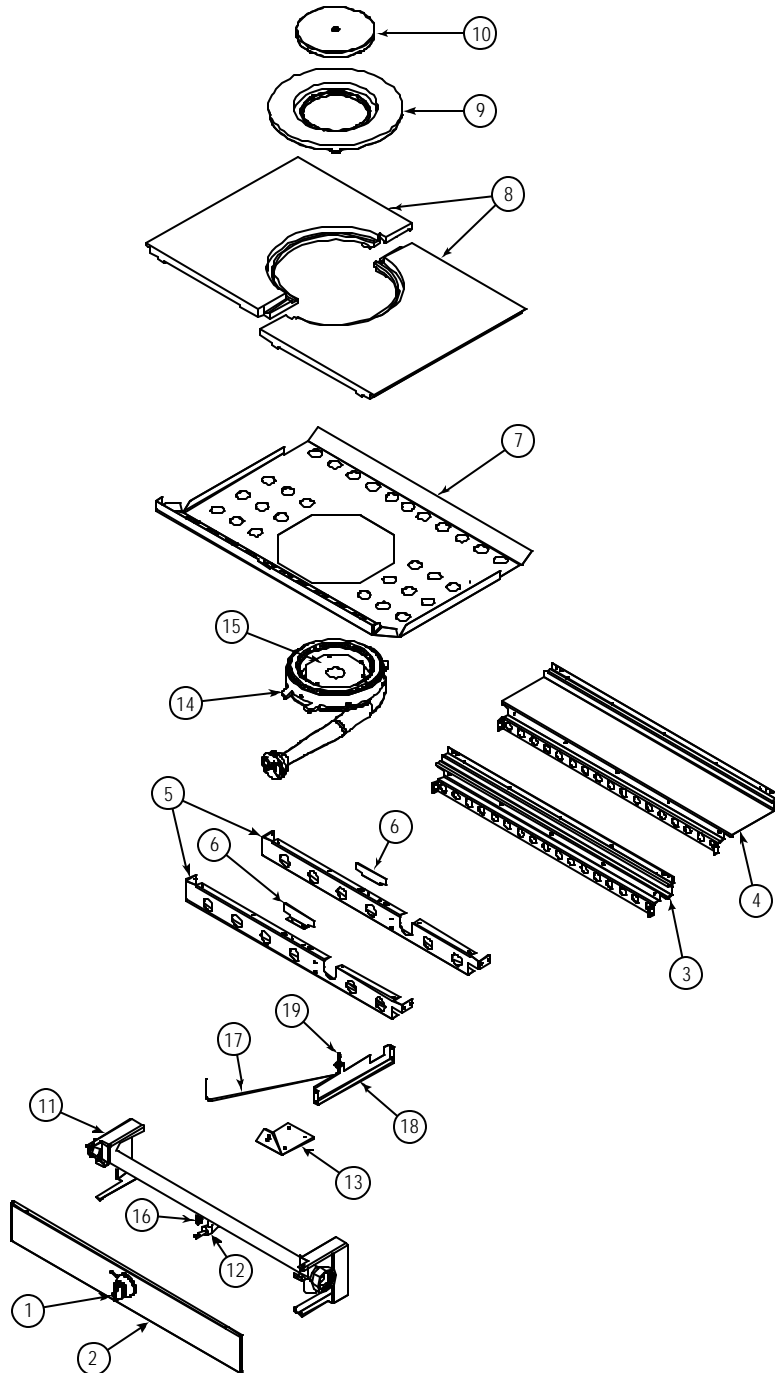


UNIFORM HOT TOP PARTS

<u>Key</u>	<u>Part Number</u>	<u>Quantity*</u>		<u>Description</u>	
	FOR MODELS:	12"	24"	36"	
1	Z1184689	1	2	3	KNOB
2	Z1184737	1	-	-	VALVE PANEL, 12C-H, SS
	Z1184739	1	-	-	VALVE PANEL, 12N-H, SS
	Z1184933	-	1	-	VALVE PANEL, 24C-HH, SS
	Z1184735	-	1	-	VALVE PANEL, 24N-HH, SS
	Z1184611	-	-	1	VALVE PANEL, 36A/D-HHH, SS
	Z1184612	-	-	1	VALVE PANEL, 36C-HHH, SS
	Z1184613	-	-	1	VALVE PANEL, 36N-HHH, SS
3	Z1184546	2	4	6	BURNER REST, HOT TOP
4	Z1184551	-	1	2	COVER, BATTERY CENTER
5	Z1183505	1	2	3	BURNER BOX BOTTOM, 12
6	Z1184545	-	1	2	COVER, HOT TOP DIVIDER REAR
7	Z1183888	1	-	-	TRIM, HOT TOP 12 FLUE RISER
	Z1184555	-	1	-	TRIM, HOT TOP 24 FLUE RISER
	Z1184544	-	-	1	TRIM, HOT TOP 36 FLUE RISER
8	Z1183900	1	-	-	TRIM, HOT TOP 42 DEEP 12 FLUE RISER
	Z1184567	-	1	-	TRIM, HOT TOP 42 DEEP 24 FLUE RISER
	Z1184566	-	-	1	TRIM, HOT TOP 42 DEEP 36 FLUE RISER
9	Z1183563	-	1	2	TRIM, CENTER
10	Z1184547	1	2	3	SHIELD, HOT TOP HEAT
11	Z1183515	1	2	3	PLATE, UNIFORM HEATED TOP
12	Z1183920	1	-	-	MANIFOLD W/A, 12 UNIFORM H/TOP
	Z1183919	-	1	-	MANIFOLD W/A, 24 UNIFORM H/TOP
	Z1183675	-	-	1	MANIFOLD W/A, 36 UNIFORM H/TOP
13	Z1179222	1	2	3	NIPPLE, EXTENSION
14	Z1176008	1	2	3	VALVE, BURNER, NAT
15	Z1183680	1	2	3	MANIFOLD, DUAL BURNER ORIFICE
16	Z1183503	1	2	3	TUBE, 3/8" X 9" FLEXIBLE
	Z1008750	2	4	6	ORIFICE, NAT GAS
	<i>NOTE:</i>	<i>If operating above 2000 ft, contact Blodgett Technical Service for appropriate orifice size</i>			
	Z1008756	2	4	6	ORIFICE, PROPANE
	<i>NOTE:</i>	<i>If operating above 2000 ft, contact Blodgett Technical Service for appropriate orifice size</i>			
17	Z1182762	2	4	6	BURNER ASSEMBLY, CHARBROILER
18	Z1166004	1	2	3	FITTING, DOUBLE PILOT, 3/16" TUBE
19	Z1184505	1	2	3	TUBE W/A, CHAR. LEFT PILOT
20	Z1184506	1	2	3	TUBE W/A, CHAR. RIGHT PILOT
21	Z1182821	2	4	6	BRACKET, PILOT

NOTE: *Quantity of part used may depend on width of section (12", 24", or 36").

GRADUATED HOT TOP PARTS

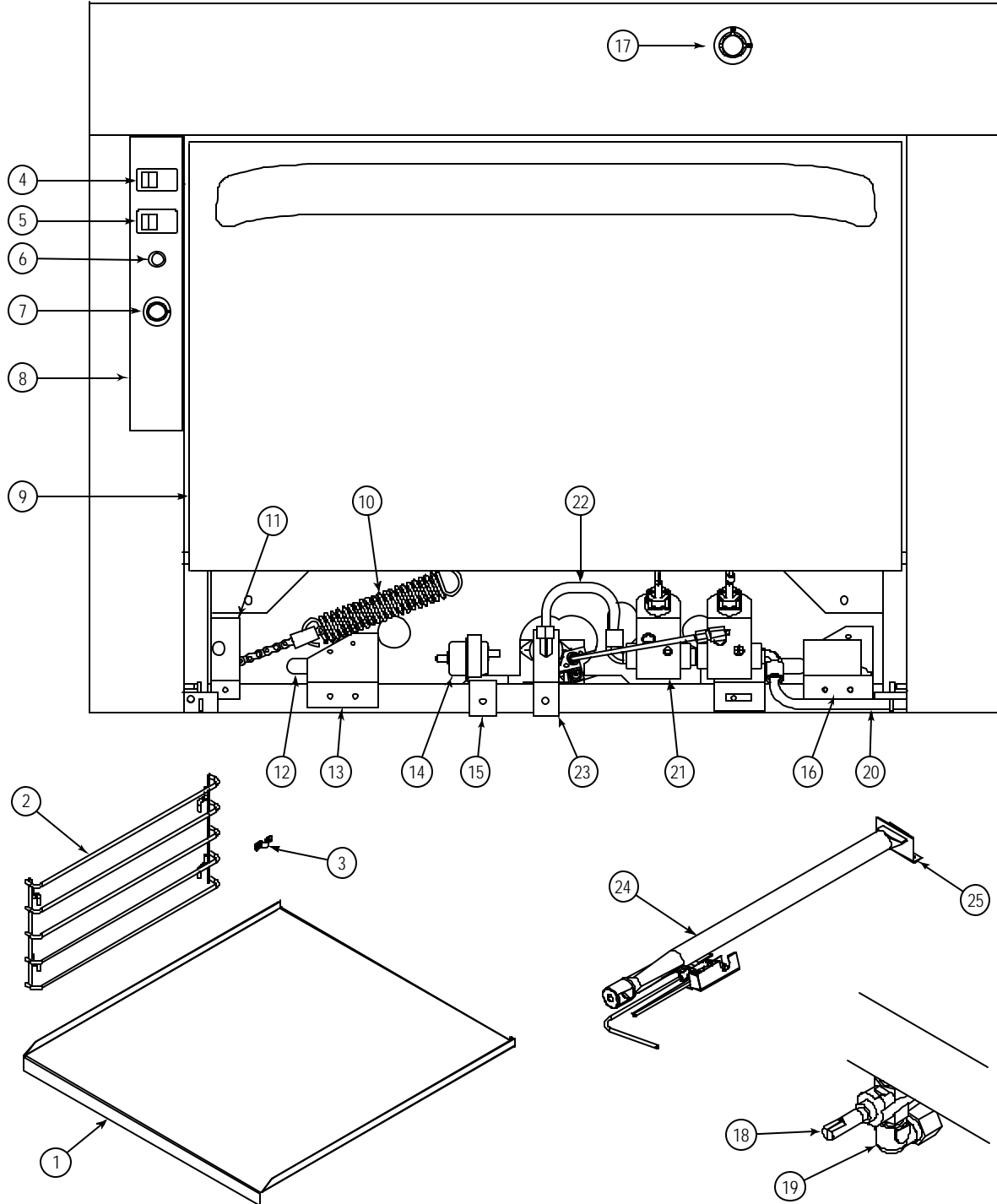


GRADUATED HOT TOP PARTS

<u>Key</u>	<u>Part Number</u>	<u>Qty</u>	<u>Description</u>
1	Z1184192	1	KNOB
2	Z1184617	1	VALVE PANEL, 36A/D-GRAD, SS (oven base)
	Z1184618	1	VALVE PANEL, 36C-GRAD, SS (cabinet base)
	Z1184619	1	VALVE PANEL, 36N-GRAD, SS (modular-countertop base)
3	Z1183531	1	TRIM, 36 FLUE RISER
4	Z1183589	1	TRIM, 42 DEEP 36 FLUE RISER
5	Z1183957	2	BURNER REST, GRADUATED
6	Z1183959	2	BRACKET, BURNER HOLD DOWN
7	Z1183956	1	SHIELD, GRADUATED BURNER
8	Z1183516	2	PLATE, GRADUATED HEAT TOP
9	Z1018997	1	PS, GRIDDLE, CSTIR, RING, GRAD.
10	Z1018996	1	PS, GRIDDLE, CSTIR, LID.GRAD.
11	Z1183675	1	MANIFOLD W/A, GRADUATED H/TOP
12	Z1176008	1	BURNER VALVE, NAT
13	Z1183960	1	BRACKET, BURNER ORFICE
*	Z1006425	1	ORIFICE, NAT GAS
	<i>NOTE:</i>		<i>If operating above 2000 ft, contact Blodgett Technical Service for appropriate orifice size</i>
	Z1006443	1	ORIFICE, PROPANE
	<i>NOTE:</i>		<i>If operating above 2000 ft, contact Blodgett Technical Service for appropriate orifice size</i>
14	Z1884	1	HOT TOP BRNR ASM
15	Z1160293	1	BAFFLE, TOP BURNER AIR
16	Z1099002	1	PILOT ADJUST
17	Z1164199	1	TUBE, PILOT
18	Z1183964	1	BRACKET, PILOT ASSEMBLY
19	Z1038099	1	ASSEMBLY, PILOT

NOTE: *Quantity of part used may depend on width of section (12", 24", or 36").

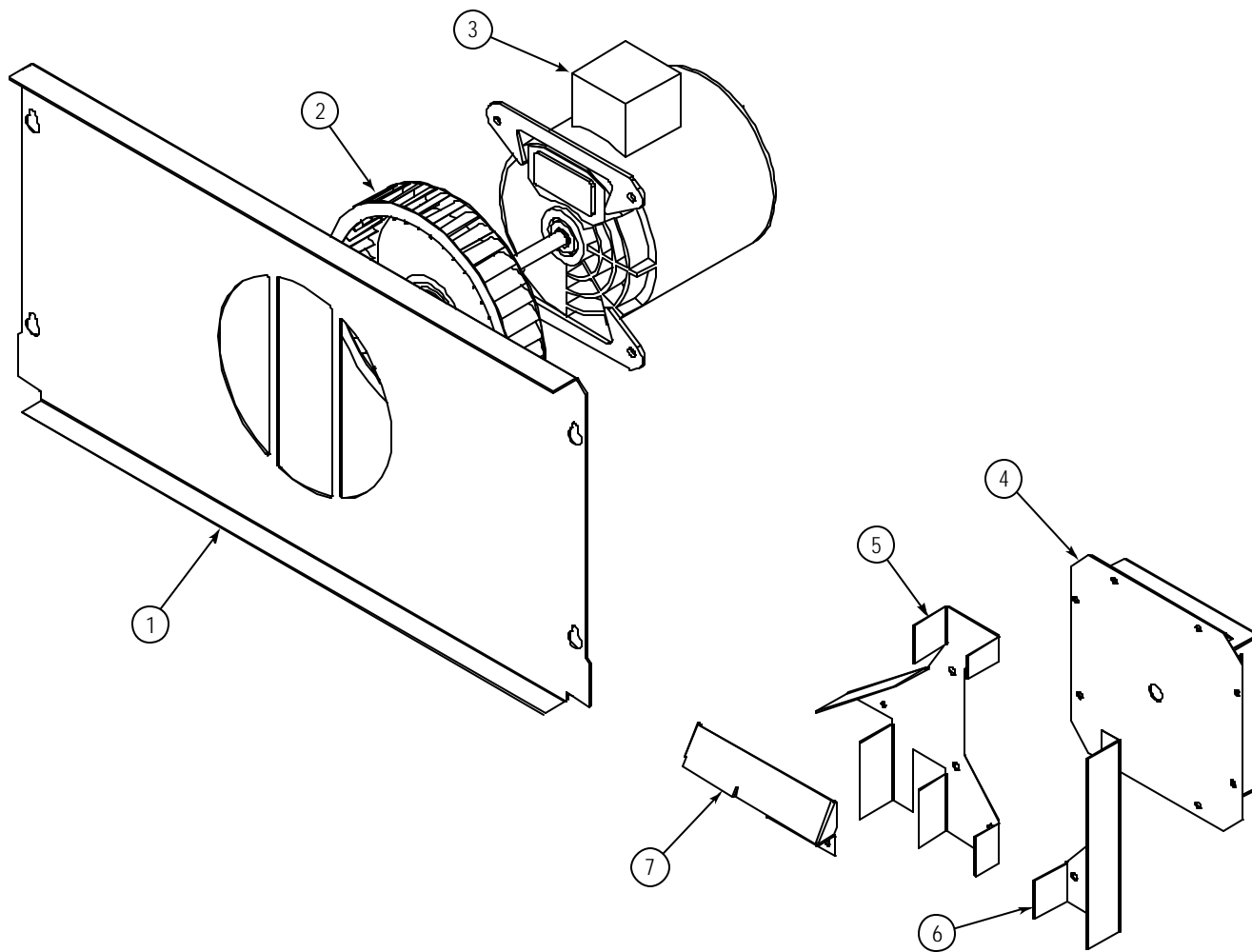
OVEN BASE PARTS



OVEN BASE PARTS

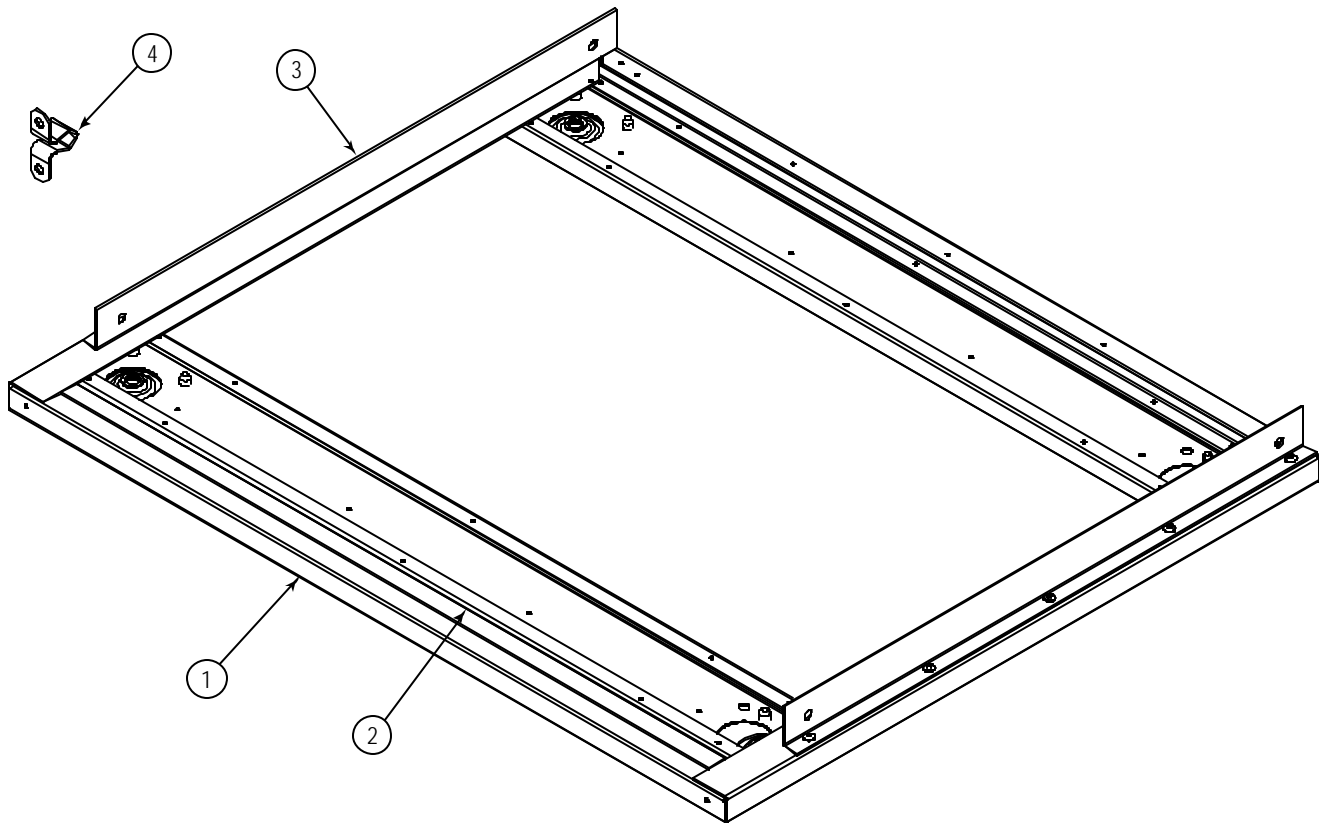
<u>Key</u>	<u>Part Number</u>	<u>Qty</u>	<u>Description</u>
1	Z1180776	1	OVEN BOTTOM\FLAME
2	Z1180528	2	RACK_GUIDE CO BASE
3	Z6660	8	CLIP, RACK SUPPORT
*	Z1173545	1	OVEN RACK (for standard oven)
	Z1179920	1	OVEN RACK (for convection oven)
4	Z1177541	1	POWER SWITCH
5	Z1177790	1	ON/OFF FAN SWITCH (for convection oven)
6	Z1176650	1	LIGHT
7	Z1174749	1	KNOB
*	Z1173542	1	THERMOSTAT
8	Z1184622	1	CONTROL PANEL W/A
9	Z1184102	1	ASSEMBLY, OVEN DOOR
*	Z1180861	2	DOOR HINGE ASSEMBLY (for 48" only- for 36" use 2537)
*	Z1183575	1	KICK PANEL
10	Z1183756	1	SPRING, OVEN DOOR (9/26/02 to present)
11	Z1183551	1	BRACKET ASSEMBLY, ROLLER ASM
12	Z1177567	1	DOOR SWITCH
13	Z1183619	1	DOOR SWITCH BRACKET
14	Z1168262	1	SWITCH, FLAME
15	Z1165708	1	FLM SW MNT BRKT
16	Z1164809	1	SPARK MODULE
*	Z1184997	1	SPARK MODULE SHIELD
17	Z1185495	1	KNOB, ON/OFF
18	Z1176099	1	VALVE, BURNER (4/7/03 to present)
19	Z1006299	1	ELBOW, 1/2CC X 3/8M F
20	Z1184417	1	TUBE, OVEN GAS SUPPLY
21	Z4440534	1	KIT, OVEN SAFETY VALVE converts from old style valve to new style valve for safety
	Z1185773	1	OVEN SAFETY VALVE ASM use after unit is converted
22	Z1183633	1	SOLENOID TO ORIFICE TUBE
23	Z1183568	1	BRACKET, ORIFICE
	Z1008730	1	ORIFICE, NAT GAS
	NOTE:		<i>If operating above 2000 ft, contact Blodgett Technical Service for appropriate orifice size</i>
	Z1008748	1	ORIFICE, PROPANE
	NOTE:		<i>If operating above 2000 ft, contact Blodgett Technical Service for appropriate orifice size</i>
24	Z1165733	1	BURNER
	Z1164807	1	ELECTROBE
	Z1168263	1	PILOT .014 FOR NAT AND LP
25	Z1182072	1	BRACKET, OVEN BURNER
	Z1183634	1	BRACKET SWITCH ACTUATOR
	Z1146373	1	SCREWS FOR BRACET SWITCH ACT.

CONVECTION OVEN BLOWER PARTS



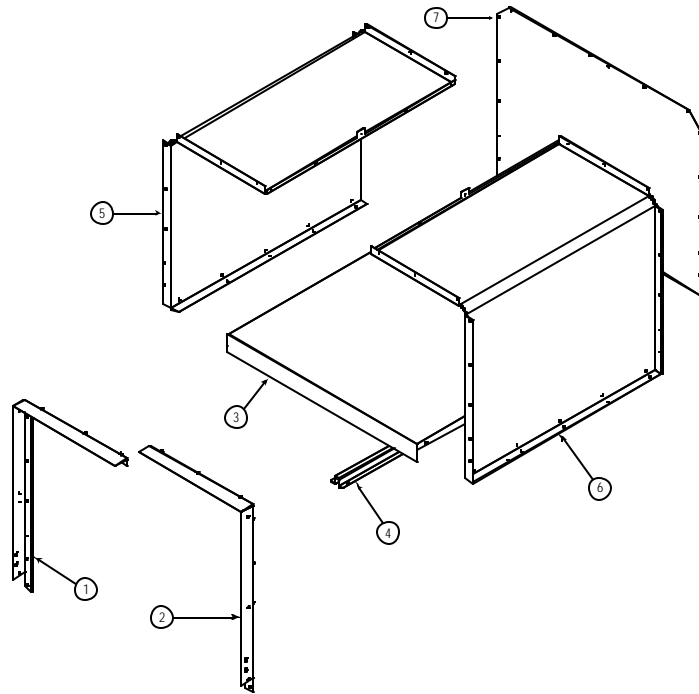
Key	Part Number	Qty	Description
1	Z1180834	1	OVEN BAFFLE CO
2	Z1177581	1	BLOWER WHEEL ASSEMBLY
3	Z1177452	1	MOTOR, 1/3 HP, 115 VOLT
4	Z1180821	1	POCKET W/A, BLOWER, 500 SERIES
5	Z1181747	1	SHIELD, RT BLOWER, 500 SERIES
6	Z1181748	1	SHIELD, LT BLOWER, 500 SERIES
7	Z1184703	1	AIR DIVERTER

MODULAR-COUNTERTOP BASE PARTS



<u>Key</u>	<u>Part Number</u>	<u>Qty</u>	<u>Description</u>
1	Z1183863	1	BASE. 12 COUNTERTOP
	Z1183859	1	BASE. 24 COUNTERTOP
	Z1183523	1	BASE. 36 COUNTERTOP
	Z1185418	1	BASE. 48 COUNTERTOP

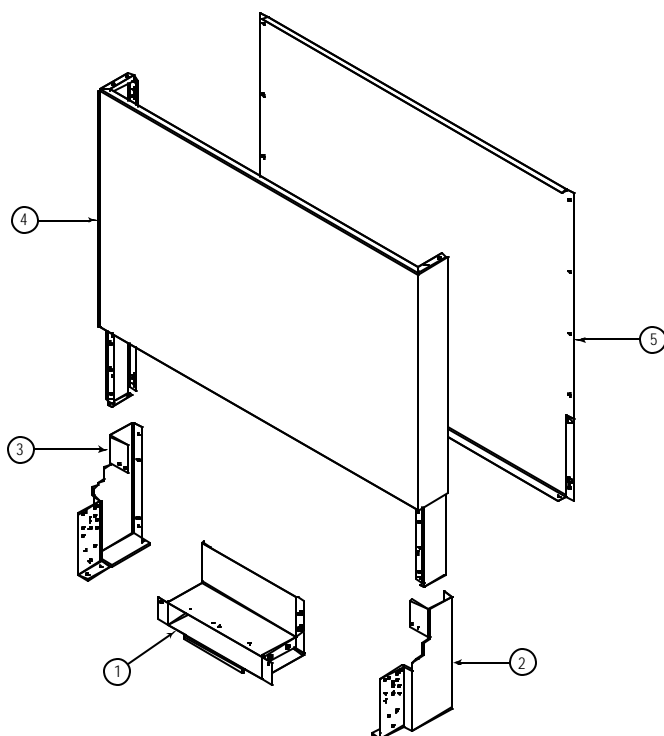
CABINET BASE PARTS



<u>Key</u>	<u>Part Number</u>	<u>Quantity*</u>				<u>Description</u>
		12"	24"	36"	48"	
FOR MODELS:						
1	Z1184954	1	-	-	-	CABINET LINING ASM, 12" LT FT
	Z1184952	-	1	-	2	CABINET LINING ASM, 24" LT FT
	Z1183598	-	-	1	-	CABINET LINING ASM, 36" LT FT
2	Z1184955	1	-	-	-	CABINET LINING ASM, 12" RT FT
	Z1184953	-	1	-	2	CABINET LINING ASM, 24" RT FT
	Z1183599	-	-	1	-	CABINET LINING ASM, 36" RT FT
3	Z1183875	1	-	-	-	CABINET LINING, 12" BOTTOM
	Z1183873	-	1	-	2	CABINET LINING, 24" BOTTOM
	Z1183600	-	-	1	-	CABINET LINING, 36" BOTTOM
4	Z1183563	-	-	1	-	TRIM, CENTER
5	Z1183866	1	-	-	-	CABINET LINING, 12" LEFT
	Z1183864	-	1	-	2	CABINET LINING, 24" LEFT
	Z1183586	-	-	1	-	CABINET LINING, 36" LEFT
6	Z1183869	1	-	-	-	CABINET LINING, 12" RIGHT
	Z1183867	-	1	-	2	CABINET LINING, 24" RIGHT
	Z1183587	-	-	1	-	CABINET LINING, 36" RIGHT
7	Z1183872	1	-	-	-	CABINET LINING, 12" BACK
	Z1183870	-	1	-	2	CABINET LINING, 24" BACK
	Z1183594	-	-	1	-	CABINET LINING, 36" BACK
	Z1183983	-	1	1	2	HINGE ASSEMBLY, UPPER RIGHT
	Z1183984	-	1	1	2	HINGE ASSEMBLY, LOWER RIGHT
	Z1183985	1	1	1	2	HINGE ASSEMBLY, UPPER LEFT
	Z1183986	1	1	1	2	HINGE ASSEMBLY, LOWER LEFT

NOTE: *Quantity of part used may depend on width of section (12", 24", 36" or 48").

FLUE RISER PARTS



<u>Key</u>	<u>Part Number</u>	<u>Qty</u>	<u>Description</u>
1	Z1183617	1	FLUE BOX ASSEMBLY, 36" (for models with an oven base)
2	Z1183526	1	BRACKET, 36 DEEP LT FLUE RISER
	Z1183527	1	BRACKET, 36 DEEP RT FLUE RISER
3	Z1183528	1	BRACKET, 42 DEEP LT FLUE RISER
	Z1183529	1	BRACKET, 42 DEEP RT FLUE RISER
	Z1184917	*	TUBE 12 (single tube for 12"-wide tubed shelves)
	Z1184918	*	TUBE 24 (single tube for 24"-wide tubed shelves)
	Z1184687	*	TUBE 36 (single tube for 36"-wide tubed shelves)
	Z1184919	*	TUBE 48 (single tube for 48"-wide tubed shelves)
4	Z1183791	1	SPLASHER, 5" X 12"
	Z1183793	1	SPLASHER, 5" X 24"
	Z1183530	1	SPLASHER, 5" X 36"
	Z1183795	1	SPLASHER, 5" X 48"
	Z1183801	1	SPLASHER, 24" X 12" (without shelf)
	Z1183803	1	SPLASHER, 24" X 24" (without shelf)
	Z1183851	1	SPLASHER, 24" X 36" (without shelf)
	Z1183805	1	SPLASHER, 24" X 48" (without shelf)
	Z1184901	1	SPLASHER, 24" X 12" (with solid shelf)
	Z1184902	1	SPLASHER, 24" X 24" (with solid shelf)
	Z1184903	1	SPLASHER, 24" X 36" (with solid shelf)
	Z1184904	1	SPLASHER, 24" X 48" (with solid shelf)
	Z1184901	1	SPLASHER, 24" X 12" (with tubed shelf)

NOTE: * Each tubed shelf has seven tubes.

FLUE RISER PARTS - CONT'D.

<u>Key</u>	<u>Part Number</u>	<u>Qty</u>	<u>Description</u>
	Z1184902	1	SPLASHER, 24" X 24" (with tubed shelf)
	Z1184903	1	SPLASHER, 24" X 36" (with tubed shelf)
	Z1184904	1	SPLASHER, 24" X 48" (with tubed shelf)
	Z1183811	1	SPLASHER, 36" X 12" (without shelves)
	Z1183813	1	SPLASHER, 36" X 24" (without shelves)
	Z1183852	1	SPLASHER, 36" X 36" (without shelves)
	Z1183815	1	SPLASHER, 36" X 48" (without shelves)
	Z1184907	1	SPLASHER, 36" X 12" (with solid shelves)
	Z1184908	1	SPLASHER, 36" X 24" (with solid shelves)
	Z1184909	1	SPLASHER, 36" X 36" (with solid shelves)
	Z1184910	1	SPLASHER, 36" X 48" (with solid shelves)
	Z1184907	1	SPLASHER, 36" X 12" (with tubed shelves)
	Z1184908	1	SPLASHER, 36" X 24" (with tubed shelves)
	Z1184909	1	SPLASHER, 36" X 36" (with tubed shelves)
	Z1184910	1	SPLASHER, 36" X 48" (with tubed shelves)
5	Z1183821	1	SHIELD, 5" X 12" WALL AZ
	Z1184785	1	SHIELD, 5" X 12" WALL SS
	Z1183823	1	SHIELD, 5" X 24" WALL AZ
	Z1184786	1	SHIELD, 5" X 24" WALL SS
	Z1183684	1	SHIELD, 5" X 36" WALL AZ
	Z1184791	1	SHIELD, 5" X 36" WALL SS
	Z1183825	1	SHIELD, 5" X 48" WALL AZ
	Z1184792	1	SHIELD, 5" X 48" WALL SS
5	Z1183831	1	SHIELD, 24" X 12" WALL AZ
	Z1184793	1	SHIELD, 24" X 12" WALL SS
	Z1183833	1	SHIELD, 24" X 24" WALL AZ
	Z1184794	1	SHIELD, 24" X 24" WALL SS
	Z1183853	1	SHIELD, 24" X 36" WALL AZ
	Z1184795	1	SHIELD, 24" X 36" WALL SS
	Z1183835	1	SHIELD, 24" X 48" WALL AZ
	Z1184796	1	SHIELD, 24" X 48" WALL SS
	Z1183841	1	SHIELD, 36" X 12" WALL AZ
	Z1184797	1	SHIELD, 36" X 12" WALL SS
	Z1183843	1	SHIELD, 36" X 24" WALL AZ
	Z1184798	1	SHIELD, 36" X 24" WALL SS
	Z1183854	1	SHIELD, 36" X 36" WALL AZ
	Z1184799	1	SHIELD, 36" X 36" WALL SS
	Z1183845	1	SHIELD, 36" X 48" WALL AZ
	Z1184900	1	SHIELD, 36" X 48" WALL SS

SIDE PANEL & BATTERY ASSEMBLY PARTS

<u>Part Number</u>	<u>Description</u>
Z1183547	TRIM, SIDE (if side is not adjacent to another section of a battery)
Z1183563	TRIM, SIDE (if side is adjacent to an open-burner section of a battery)
Z1183564	TRIM, SIDE (if side is adjacent to a griddle or charbroiler section of a battery)
Z1183532	BODY SIDE, 36 SS RT
Z1183521	BODY SIDE, 36 SS LT
Z1184558	BODY SIDE, 36 SS OPEN RT
Z1184559	BODY SIDE, 36 SS OPEN LT
Z1184573	BODY SIDE, 36 CAB SS RT
Z1184557	BODY SIDE, 36 CAB SS LT
Z1184574	BODY SIDE, 36 CAB SS OPEN RT
Z1184560	BODY SIDE, 36 CAB SS OPEN LT
Z1183671	BODY SIDE, HALF AZ RT
Z1183672	BODY SIDE, HALF AZ LT
Z1183538	BODY SIDE, SS COUNTERTOP RT
Z1183553	BODY SIDE, SS COUNTERTOP LT
Z1184564	BODY SIDE, SS OPEN COUNTERTOP RT
Z1184565	BODY SIDE, SS OPEN COUNTERTOP LT
Z1183673	BODY SIDE, HALF AZ COUNTERTOP RT
Z1183674	BODY SIDE, HALF AZ COUNTERTOP LT
Z1184778	PLATE, FT/RR BATTERY CONNECT
Z1184779	PLATE, RISER BATTERY CONNECT
Z1183657	TRIM, FRONT 36 OVN-36 OVN
Z1183658	TRIM, FRONT 36 OVN-36 CAB
Z1183661	TRIM, FRONT 36 OVN-CAB
Z1183670	TRIM, FRONT 36 CAB-36 OVN
Z1183669	TRIM, FRONT 36 CAB-36 CAB
Z1183666	TRIM, FRONT 36 CAB-CAB
Z1183662	TRIM, FRONT CAB-36 OVN
Z1183665	TRIM, FRONT CAB-CAB

NO DRAWING AVAILABLE

PARTS EXCLUSIVE TO STANDING PILOT OVENS

<u>Part Number</u>	<u>Description</u>
ZB94-00002-01	THERMOSTAT
Z1179998	KNOB, THERMOSTAT
Z1179999	BEZEL
Z1163869	PILOT, NAT
Z1163870	PILOT, LP
Z1165733	BURNER
Z1180866	SAFETY
Z1182580	THERMOCOUPLE

NO DRAWING AVAILABLE