



IMPORTANT FOR FUTURE REFERENCE

Please complete this information and retain this manual for the life of the equipment:

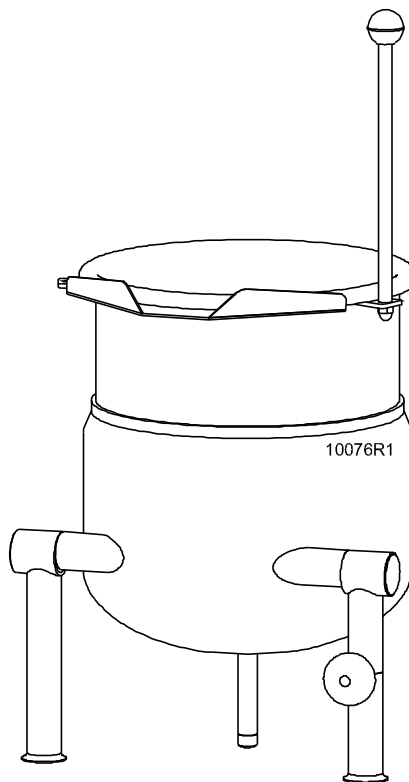
Model #: _____

Serial #: _____

Date Purchased: _____

INSTALLATION & OPERATION MANUAL

**Direct Steam Counter Tilting Kettles
DC-6 DC-10 DC-12 DC-20**



⚠ WARNING

Improper installation, adjustment, alteration, service or maintenance can cause property damage, injury or death. Read the installation, operating and maintenance instructions thoroughly before installing or servicing this equipment.

CROWN FOOD SERVICE EQUIPMENT

Division of Middleby Canada Company Inc.

70 Oakdale Road, Downsview (Toronto) Ontario, Canada, M3N 1V9

Telephone: 919-762-1000 www.crownsteamgroup.com

Printed in Canada



INSTALLATION AND OPERATION MANUAL, DIRECT STEAM COUNTER TILTING
KETTLES, MODELS: DC-6, DC-10, DC-12, DC-20

IMPORTANT NOTES FOR INSTALLATION AND OPERATION

It is recommended that this manual be read thoroughly and that all instructions be followed carefully.



This is the safety alert symbol. It is used to alert you to potential personal injury hazards. Obey all safety messages that follow this symbol to avoid possible injury or death.



WARNING: Improper installation, operation, adjustment, alteration, service or maintenance can cause property damage, injury or death. Read the installation, operating and maintenance instructions thoroughly before installing, operating or servicing this equipment.

This manual should be retained for future reference.

INSTALLATION AND OPERATION MANUAL, DIRECT STEAM COUNTER TILTING
KETTLES, MODELS: DC-6, DC-10, DC-12, DC-20

TABLE OF CONTENTS

DESCRIPTION	PAGE
1.0 Service Connections	4
2.0 Introduction	5
3.0 Installation Instructions	6
4.0 Operating Procedures	7
5.0 Cleaning Procedures	8
6.0 Preventive Maintenance	9

INSTALLATION AND OPERATION MANUAL, DIRECT STEAM COUNTER TILTING KETTLES, MODELS: DC-6, DC-10, DC-12, DC-20

1.0 SERVICE CONNECTIONS

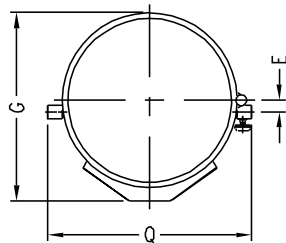
☞ - STEAM SUPPLY: 1/2" IPS 5-45 PSI (34-310 kPa). Pressure reducing valve is required if incoming pressure exceeds 50 PSI (345 kPa).

⊕ - CONDENSATE RETURN; 1/2" IPS

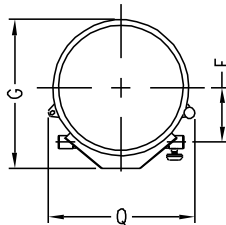
DIMENSIONS

MODEL	CAPACITY	UNITS	A	B	C	D	E	F	G	H	J	K	L	M	N	O	P	Q
DC-6	6 gallons	inches	12	14.5	19.5	13.75	5	7.5	15.12	8.5	12.25	10.38	30.25	4	4.38	34.12	0	16
	23 litres	mm	305	368	495	349	127	191	384	216	311	264	768	102	111	867	0	406
DC-10	10 gallons	inches	16	15	18.5	13.75	7	7.75	19.12	9	16.25	8.88	32.25	2.38	4.88	33.12	0	19.25
	38 litres	mm	406	381	470	349	178	197	486	229	413	225	819	60	124	841	0	489
DC-12	12 gallons	inches	16	17	20.5	13.75	7	7.75	19.12	9	16.25	10.88	39.5	2.38	4.88	35.12	0	19.25
	46 litres	mm	406	432	521	349	178	197	486	229	413	276	1003	60	124	892	0	489
DC-20	20 gallons	inches	21	18	24.0	23.5	1.5	3.75	24.12	12.75	15.75	10.5	40.5	5.0	4.88	39.88	1.5	23.5
	76 litres	mm	533	457	610	597	38	95.5	613	324	400	267	1029	127	124	1013	38	597

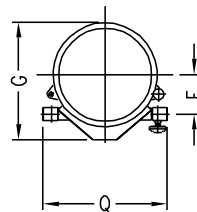
MODEL	SHIPPING WT.	MIN. CLEARANCE	
DC-6	44 lbs. [20 kg]	SIDES BACK	1 [25mm] 3 [76mm]
DC-10	61 lbs. [28 kg]		
DC-12	70 lbs. [32 kg]		
DC-20	95 lbs. [43 kg]		



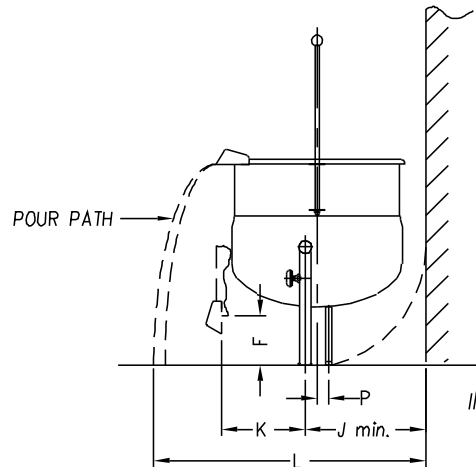
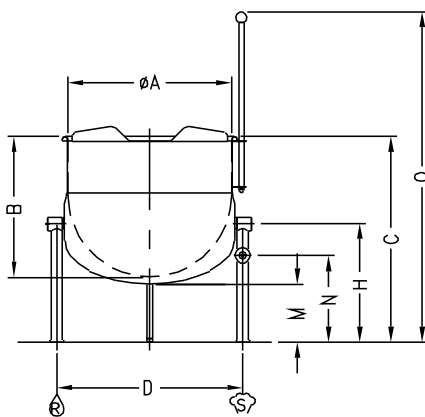
DC-20



DC-10, DC-12



DC-6



As continued product improvement is a policy of Crown, specifications are subject to change without notice.

INSTALLATION AND OPERATION MANUAL, DIRECT STEAM COUNTER TILTING
KETTLES, MODELS: DC-6, DC-10, DC-12, DC-20

2.0 INTRODUCTION

DESCRIPTION

All direct connected steam jacketed kettles pertaining to this manual are direct steam operated pressure vessels of a double-wall stainless steel construction forming a steam chamber (jacket) enveloping the lower two thirds of the kettle bowl surface. All kettles are tilting and counter top mounted in fixed positions on legs.

CAPACITIES

All models are suffixed with either -6, -10, 12 or -20 to indicate the capacity of that kettle in US gallons.

FUNCTIONING MODE

Direct connected steam jacketed kettles consist of a stainless steel bowl and a stainless steel jacket which envelopes two thirds of the lower surface of the bowl thus forming a sealed pressure vessel (chamber) into which steam is introduced by means of a manual control valve located in the right leg.

The kettle bowl is the container for the food product which ideally should be of a liquid or semi-liquid consistency to achieve complete contact with the bowl surface and thus fully absorb the heat transmitted through that surface.

The temperatures required for the cooking process to function adequately must be greater than the boiling point of the liquid food product, viz. water. Further, the greater the steam pressure used, the higher the temperature and consequently the quicker the cooking process. For example, steam pressurized at 30 psi attains a temperature of 274 degrees Fahrenheit (135 degrees Celsius).

In the initial stages of the cooking process when the steam comes in contact with the cold kettle bowl surface it condenses and forms considerable amounts of water. A thermostatic steam trap should be plumbed to the exit end of the kettle jacket. This trap is a mechanical device that closes on high temperatures and opens when the temperature drops thus allowing the water formed from condensate to exhaust but retain steam under pressure.

INSTALLATION AND OPERATION MANUAL, DIRECT STEAM COUNTER TILTING
KETTLES, MODELS: DC-6, DC-10, DC-12, DC-20

3.0 INSTALLATION INSTRUCTIONS

1. These kettles must be installed on a suitable table or counter top.
2. On counter top make 7/8" holes at 13 - 3/4" centres for kettle legs on models DC-6, DC-10, and DC-12, 23-1/2" centres on Model DC-20. Provide sufficient space from rear wall to allow for tilting of kettle.
3. From bottom of leg remove mounting lockouts and washers. Apply Silastic to flared edge of leg. Insert threaded portion of legs through holes. Replace washers and locknuts and tighten. Wipe off excess sealant.
4. Install a safety relief valve in the steam line set at the maximum operating pressure of the kettle. Note that one valve will handle a series of kettles.
5. Connect steam supply line (1/2" pipe size) to steam inlet fitting on right leg.
6. Install a steam shutoff valve in steam supply line, preferably near the kettle for convenience.
7. A pressure reducing valve will be required if the steam supply pressure is greater than the maximum kettle working pressure.
8. If large amounts of water are in the steam line it will be necessary to install one or more ball float traps in the line to eliminate the water.
9. A steam line pressure gauge is also recommended to determine the actual amount of steam coming to the kettle.
10. Install a suitable steam trap in condensate line (left leg) near the kettle and run condensate return line to drain. If the condensate return line will be directed to the boiler, then it must have a check valve and gate shutoff valve near the kettle.

INSTALLATION AND OPERATION MANUAL, DIRECT STEAM COUNTER TILTING
KETTLES, MODELS: DC-6, DC-10, DC-12, DC-20

4.0 OPERATING PROCEDURES



WARNING: The kettle and its parts are hot. Use care when operating, cleaning and servicing the appliance.

1. Fill kettle with product to desired level.
2. Slowly turn the steam control valve ON to full open position.
3. The water or food should boil 3 - 4 minutes per gallon. If it does not, then incoming pressure should be checked to determine that it is adequate to operate the kettle efficiently.
4. Regulate steam control valve depending on type of food being prepared.
5. When food is cooked, turn off steam, remove food and clean kettle immediately to prevent residue from drying on kettle bowl surface.

INSTALLATION AND OPERATION MANUAL, DIRECT STEAM COUNTER TILTING
KETTLES, MODELS: DC-6, DC-10, DC-12, DC-20

5.0 CLEANING PROCEDURES

Your kettle should be cleaned immediately after each use.

- a) Ensure that steam supply is OFF.
- b) Pre-rinse inside of kettle thoroughly and tilt to remove any food particles.
- c) Using a nylon brush, clean kettle with a mild detergent and warm water rinse. Never use steel wool or scouring powder as it will scratch stainless steel.
- d) Tilt kettle and rinse thoroughly draining out detergent solution.



CAUTION: Do not use cleaning agents that are corrosive.

Use of cleaning agents that contain chloride, acids or salts are corrosive and may cause pitting and corrosion when used over a period of time; this will reduce the life of the appliances.

Should pitting or corrosion occur this is not covered by warranty.


Follow the recommended cleaning instructions. Use a mild detergent, warm water and rinse thoroughly.


INSTALLATION AND OPERATION MANUAL, DIRECT STEAM COUNTER TILTING
KETTLES, MODELS: DC-6, DC-10, DC-12, DC-20


6.0 PREVENTIVE MAINTENANCE

No preventive maintenance is required other than adhering to the Cleaning Procedure instructions.

SAFETY VALVE MAINTENANCE AND TESTING

	<p>CAUTION! Under normal operating conditions a “try lever test” should be performed every two months. Under severe service conditions, or if corrosion and/or deposits are noticed within the valve body, testing must be performed more often. A “try lever test” should also be performed at the end of any non-service period.</p>
---	---

	<p>CAUTION! Hot, high pressure fluid may be discharged from body drain and vent during “try lever” test. Care must be taken to avoid any bodily contact.</p>
---	---

	<p>CAUTION! High sound levels may be experienced during “try lever” test. Wear proper safety equipment and exercise extreme care! Test at, or near, half of the operating pressure by holding the test lever fully open for at least two seconds to flush the valve seat free of sediment and debris. Then release lever and permit the valve to snap shut.</p> <p>If lift lever does not activate, or there is no evidence of discharge, turn off equipment immediately and contact a licensed contractor or qualified service personnel.</p>
---	---