



IMPORTANT FOR FUTURE REFERENCE

Please complete this information and retain this manual for the life of the equipment:

Model #: _____

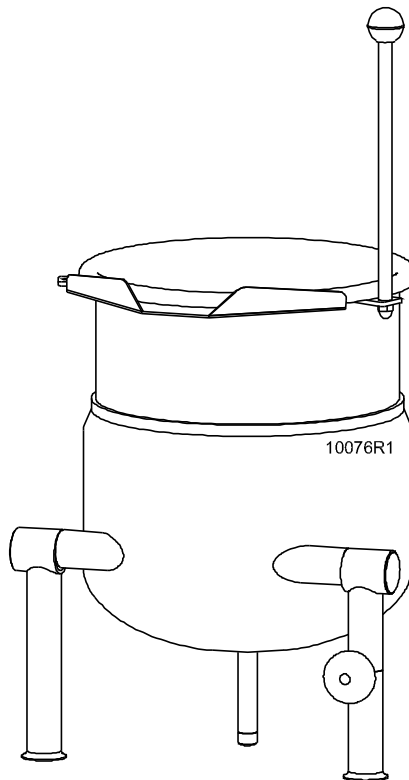
Serial #: _____

Date Purchased: _____

PARTS LIST

Direct Steam Counter Tilting Kettles

DC-6 DC-10 DC-12 DC-20



WARNING

Improper installation, adjustment, alteration, service or maintenance can cause property damage, injury or death. Read the installation, operating and maintenance instructions thoroughly before installing or servicing this equipment.

CROWN FOOD SERVICE EQUIPMENT

Division of Middleby Canada Company Inc.

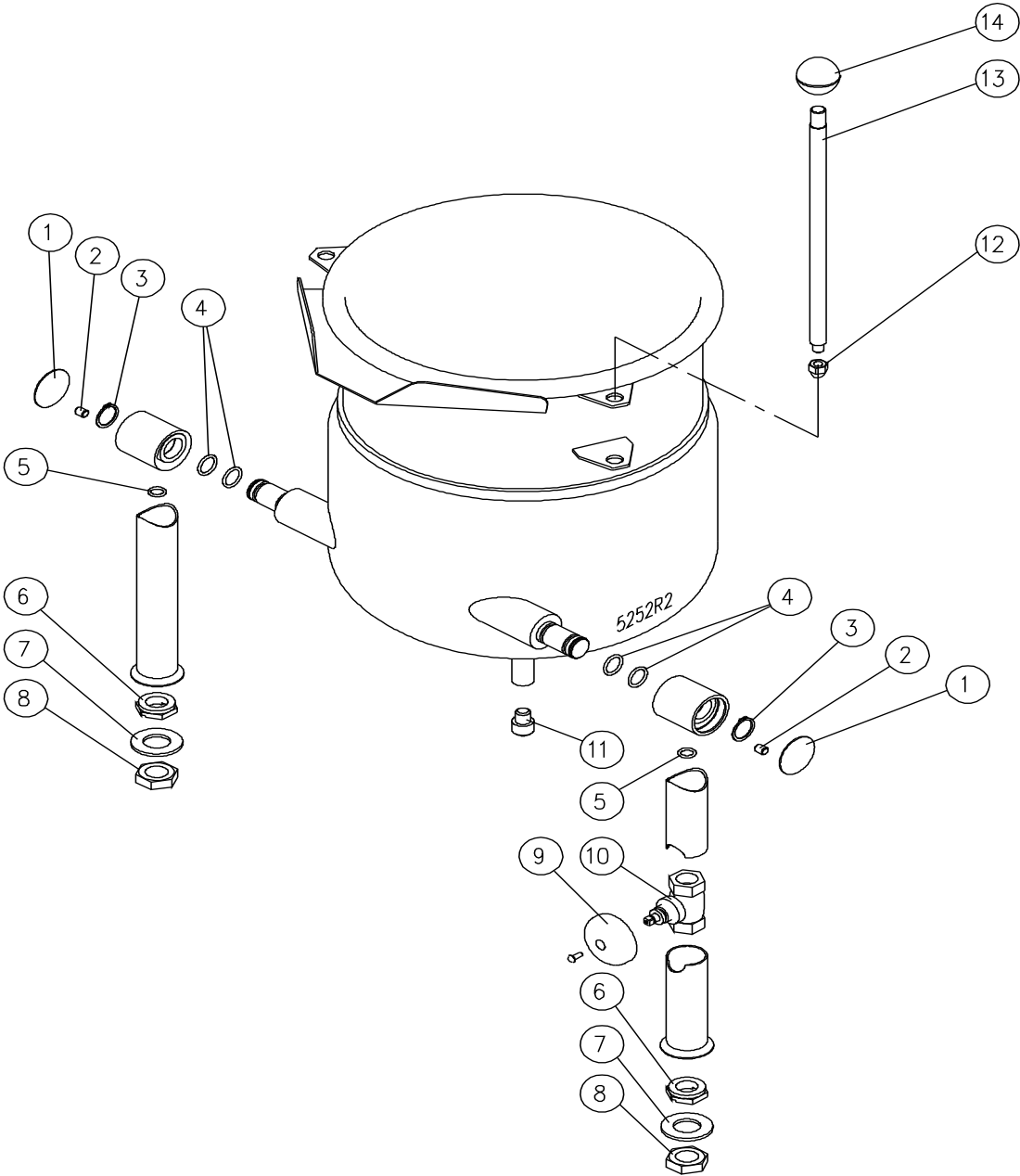
70 Oakdale Road, Downsview (Toronto) Ontario, Canada, M3N 1V9

Telephone: 919-762-1000 www.crownsteamgroup.com

Printed in Canada



PARTS LIST, DIRECT STEAM KETTLES, MODELS: DC-6, DC-10, DC-12, DC-20



PARTS LIST, DIRECT STEAM KETTLES, MODELS: DC-6, DC-10, DC-12, DC-20

<u>ITEM</u>	<u>PART NUMBER</u>	<u>DESCRIPTION</u>	<u>QUANTITY</u>	
1.	3819-1	Trunnion Cap	2	
2.	9061-9	Set Screw, 5/16 -18 x 3/8"	2	
3.	9047-87	Retaining Clip	2	
4.	2-115R	"O" Ring	4	
5.	2-014R	"O" Ring	2	
6.	3796-1	Brass Nut, 1/2 - 14"	2	
7.	2-W0C7	Washer	2	
8.	3-D034	Nut, 1/2 - 14 NPS	2	
9.	3-SC06	Knob	1	
10.	3-SC11	Valve	1	
11.	3520-1	Nylon Foot	1	
12.	9031-7	Acorn Nut 3/8 - 16	1	
**	13.	3589-1	Handle, 6 - 12 Gallon	1
		5280-1	Handle, 20 Gallon	1
	14.	2-KB01	Knob	1
**	15.	3799-1	Condensate Leg Assembly, 6 Gallon	1
		3799-2	Condensate Leg Assembly, 10, 12 Gallon	1
		6319-1	Condensate Leg Assembly, 20 Gallon	1
**	16.	3800-1	Steam In Leg Assembly, 6 Gallon	1
		3800-2	Steam In Leg Assembly, 10, 12 Gallon	1
		6320-1	Steam In Leg Assembly, 20 Gallon	1
*	17.	9085-1	"O" Ring Lube, 2 Grams	1

* NOT SHOWN.

** SELECT AS REQUIRED.