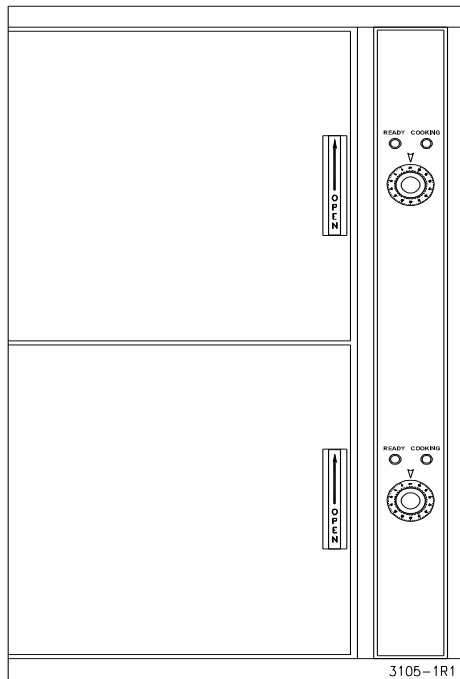




IMPORTANT FOR FUTURE REFERENCE
Please complete this information and retain this manual for the life of the equipment:

Model #: _____
Serial #: _____
Date Purchased: _____

PARTS LIST
Two Compartment Steamer Heads
CX-2 CX-10
Used on : DCX-2 ECX-2 GCX-2 SCX-2
DCX-10 ECX-10 GCX-10 SCX-10



⚠ WARNING

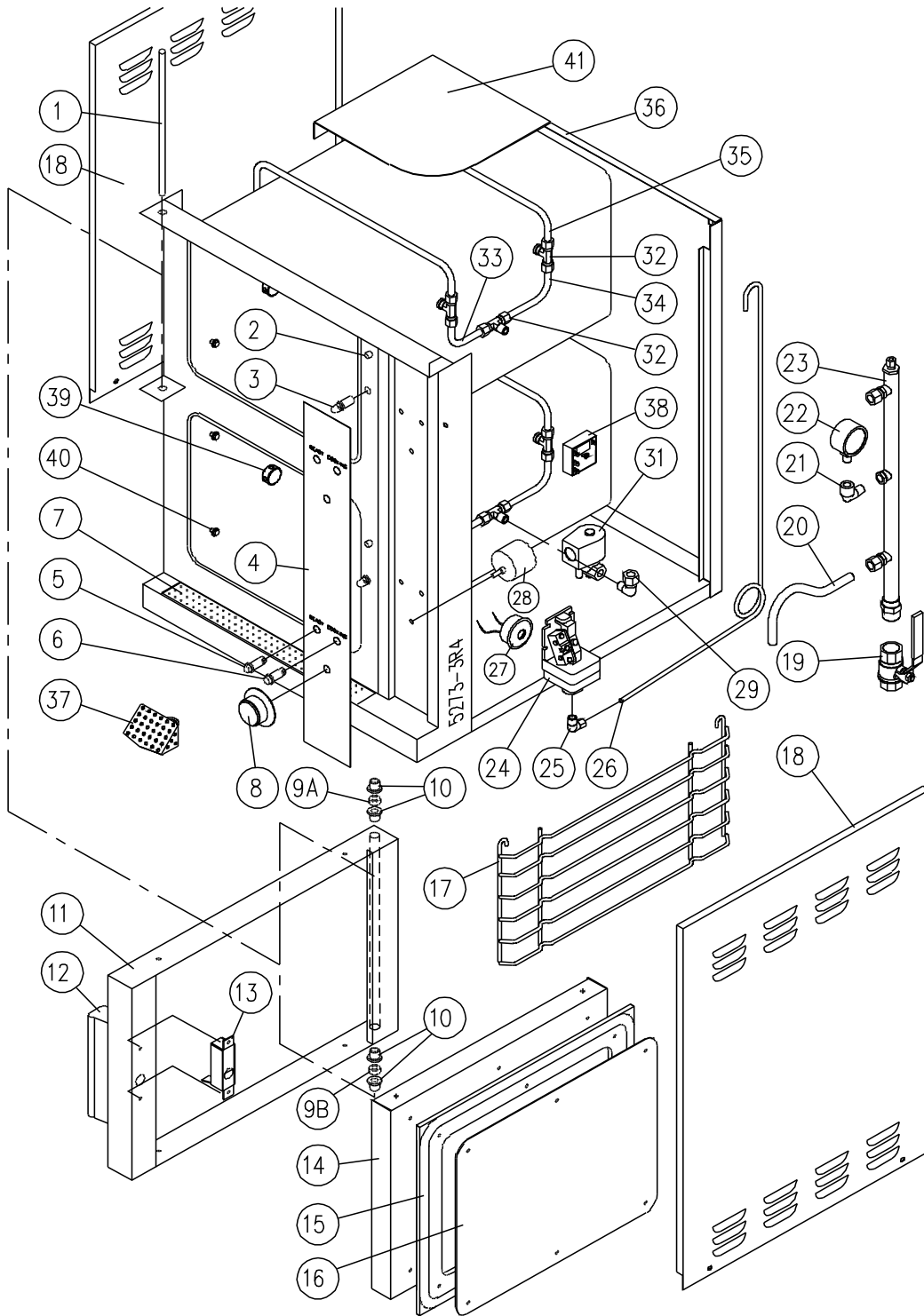
Improper installation, adjustment, alteration, service or maintenance can cause property damage, injury or death. Read the installation, operating and maintenance instructions thoroughly before installing or servicing this equipment.

CROWN FOOD SERVICE EQUIPMENT

Division of Middleby Canada Company Inc.
70 Oakdale Road, Downsview (Toronto) Ontario, Canada, M3N 1V9
Telephone: 919-762-1000 www.crownsteamgroup.com
Printed in Canada



PARTS LIST, PRESSURELESS COOKER 6 PAN & 10 PAN UNITS, MODELS CX-2, CX-10



PARTS LIST, PRESSURELESS COOKER 6 PAN & 10 PAN UNITS, MODELS CX-2, CX-10

<u>ITEM</u>	<u>PART NO.</u>	<u>DESCRIPTION</u>	<u>QUANTITY</u>	
			<u>CX-2</u>	<u>CX-10</u>
1	8-5101	Hinge Rod	1	
	8-5101-5	Hinge Rod		1
2	9-3213	Door Switch	2	2
	9-3336	Actuator Pin Complete With Clip	2	2
3	8-5021	Striker	2	2
	8-5022	Spacer	2	2
	S05N-12	Lock Washer	2	2
	1-89S0	Nut, 1/2-20 UNF, Stainless Steel	2	2
4	7582-1	Control Decal	1	
	7481-1	Control Decal		1
5	4-PL04	Pilot Light, Green	2	2
6	4-PL07	Pilot Light, Red	2	2
7	8-5023	Perforated Trough	1	1
**	8 4104-1	Dial, 60 Minutes, 60 Hz	2	2
	4103-1	Dial, 60 Minutes, 50 Hz	2	2
	4105-1	Dial, 120 Minutes, 60 Hz	2	2
9A	5716-1	Spacer - Upper	2	2
9B	5717-1	Spacer - Lower	2	2
10	8-5078	Bushing	8	8
11	8-5076-9	Door Assembly	2	
	8-5076-8	Door Assembly		2
12	3903-2	Handle Assembly	2	2
*	4090-2	Handle	1	1
*	4089-2	Handle Plate	1	1
*	M68S-1420-134	Socket Screw, 1/4 - 20 x 1-3/4	2	2
*	M68S-1420-34	Socket Screw, 1/4 - 20 x 3/4	1	1
*	4088-1	Spacer	2	2

PARTS LIST, PRESSURELESS COOKER 6 PAN & 10 PAN UNITS, MODELS CX-2, CX-10

<u>ITEM</u>	<u>PART NO.</u>	<u>DESCRIPTION</u>	<u>QUANTITY</u>		
			<u>CX-2</u>	<u>CX-10</u>	
*	12	S05N-14	Lock Washer, 1/4	2	2
*		1-59S0	Nut, 1/4 - 20	2	2
*		3646-1	Decal	2	2
	13	8-5068-9	Latch Assembly	2	2
	14	8-5065-9	Door Panel	2	
		8-5065-8	Door Panel		2
	15	8-5063-9	Door Gasket	2	
		8-5063-8	Door Gasket		2
	16	8-5064-9	Door Gasket Plate	2	
		8-5064-8	Door Gasket Plate		2
		9-1011-1	Screws	12	16
	17	2681-1	Pan Racks	4	
		2681-3	Pan Racks		4
	18	6765-5	Side Panel	2	
		6765-3	Side Panel		2
		M33S-1032-12	Screws	2	2
	19	3-BVE0	Steam Control Valve	1	1
	20	9-3029	Steam Supply Tube	2	
		9-3029-1	Steam Supply Tube		2
	21	3-H116B	Elbow	1	1
	22	3-BM15	Pressure Gauge	1	1
	23	9-3219	Steam Manifold	1	
	23	9-3219-1	Steam Manifold		1
	24	9411-1	Pressure Switch Assembly	1	1
	25	3-694B	Elbow, 1/4C x 1/4 MPT	1	1
	26	9-3220	Steam Tube, 1/4 Copper	1	
		9-3220-1	Steam Tube, 1/4 Copper		1
	27	3821-1	Buzzer	1	1

PARTS LIST, PRESSURELESS COOKER 6 PAN & 10 PAN UNITS, MODELS CX-2, CX-10

<u>ITEM</u>	<u>PART NO.</u>	<u>DESCRIPTION</u>	<u>QUANTITY</u>	
			<u>CX-2</u>	<u>CX-10</u>
**	28	4-T210	2	2
		9386-2	2	2
*		9109-1	2	2
	29	3-698B	2	2
	30	3-TS01	2	2
	31	9306-1	2	2
	32	3-726B	6	6
	33	9-3221	2	2
	34	9-3222	2	2
	35	9-3295	4	
		4971-1		4
	36	8391-1		1
		8391-2	1	
	37	8-5081	2	2
	38	9229-1	1	1
	39	3502-2	8	8
	40	4721-1	16	16
	41	7930-1	1	1
*	42	9-3296	2	2
*	43	2718-1	1	1

* NOT SHOWN.

** SELECT AS REQUIRED.