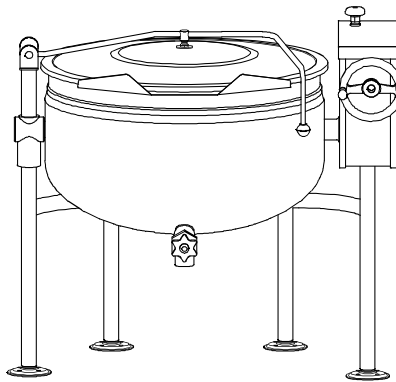




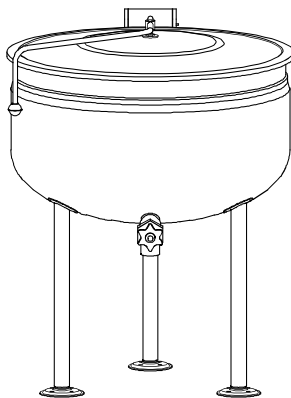
**IMPORTANT FOR FUTURE REFERENCE**  
Please complete this information and retain this manual for the life of the equipment:

Model #: \_\_\_\_\_  
Serial #: \_\_\_\_\_  
Date Purchased: \_\_\_\_\_

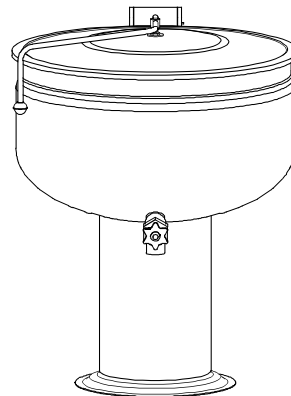
**PARTS LIST**  
**Full Jacket Direct Steam Kettles**  
**DL-20F DL-30F DL-40F DL-60F**  
**DP-20F DP-30F DP-40F DP-60F**  
**DLT-20F DLT-30F DLT-40F DLT-60F**



**DLT-F**



**DL-F**



**DP-F**

**⚠ WARNING**

Improper installation, adjustment, alteration, service or maintenance can cause property damage, injury or death. Read the installation, operating and maintenance instructions thoroughly before installing or servicing this equipment.

**CROWN FOOD SERVICE EQUIPMENT**

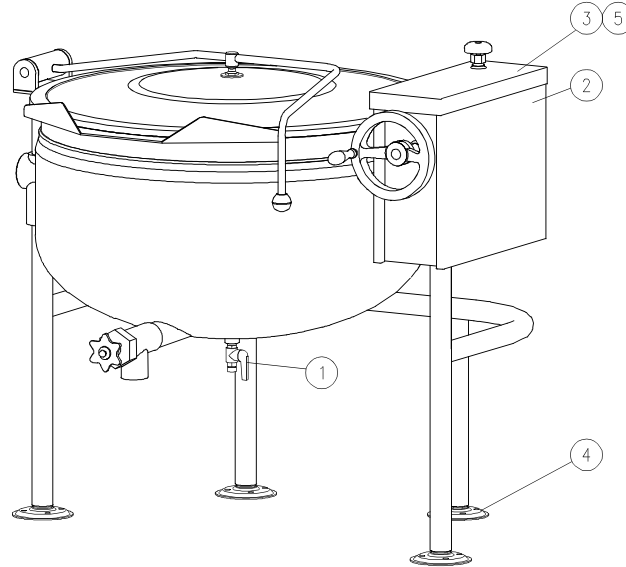
Division of Middleby Canada Company Inc.  
70 Oakdale Road, Downsview (Toronto) Ontario, Canada, M3N 1V9  
Telephone: 919-762-1000      [www.crownsteamgroup.com](http://www.crownsteamgroup.com)

Printed in Canada



PARTS LIST, FULL JACKET DIRECT STEAM STATIONARY KETTLES,  
 MODELS: DL-20F TO 60F, DP-20F TO 60F, DLT-20F TO 60F

**FIGURE 1**



10217PAGE2R0

<u>ITEM</u>	<u>PART NUMBER</u>	<u>DESCRIPTION</u>	<u>QUANTITY</u>
1	9189-1	Ball Valve	1
2	2960-2	Tilt Console	1
3	3011-1	Console Cover	1
4	8-1308	Adjustable Foot	3
5	M33S-1032-12	Screw 10 - 32 x 1/2	1
* 6	3-SRV8-1	Relief Valve, 35 PSI	1
**	3-SRV9-1	Relief Valve, 50 PSI (Optional)	1
* 7	5184-1	Down Tube for Relief Valve	1

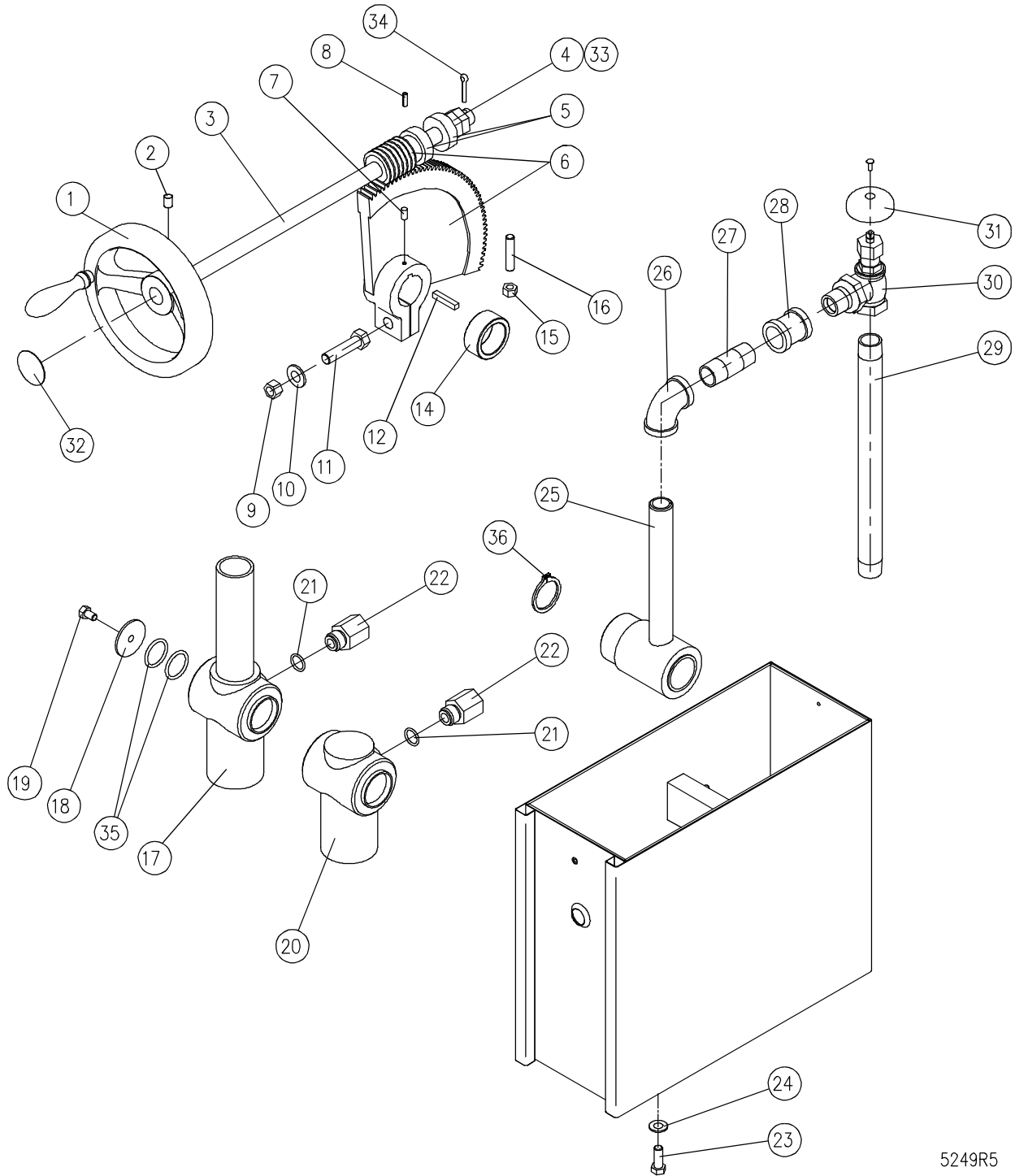
\* NOT SHOWN.

\*\* SELECT AS REQUIRED.

PARTS LIST, FULL JACKET DIRECT STEAM STATIONARY KETTLES,  
MODELS: DL-20F TO 60F, DP-20F TO 60F, DLT-20F TO 60F

**TILT CONSOLE PARTS**

**FIGURE 2**



PARTS LIST, FULL JACKET DIRECT STEAM STATIONARY KETTLES,  
 MODELS: DL-20F TO 60F, DP-20F TO 60F, DLT-20F TO 60F

**FIGURE 2**

<b><u>ITEM</u></b>	<b><u>PART NUMBER</u></b>	<b><u>DESCRIPTION</u></b>	<b><u>QUANTITY</u></b>
1	8-2054	Handwheel	1
2	1-72U4	Set Screw, 3/8 - 16 x 1/2"	1
3	8-2055	Tilt Shaft	1
4	2-HN66	Jam Nut, 3/4 - 16 UNF	2
5	5327-1	Thrust Bearing	2
6	5393-1	Segment Gear and Worm Gear Kit (Includes Items 7 to 12)	1
7	1-52U4	Set Screw, 1/4 - 20 x 1/2"	1
8	2-T6U5	Tension Pin, 3/16" Diameter x 1-1/4" L.	1
9	1-99C0	Nut, 1/2 - 13 UNC	1
10	1-W4C0	Lock Washer, 1/2"	1
11	2-96C8	Bolt, 1/2 - 13 UNC x 2"	1
12	8-2075-1	Key, 1/4"	1
* 13	9085-1	"O" Ring Lubrication	1
14	8-2057	Spacer	1
15	1-79C0	Nut 3/8 - 16 UNC	1
16	2-72U7	Set Screw, 3/8-16 UNC x 1 - 3/4"	1
17	8-2085DE	Outbore Bearing Complete With Extension. Used on Spring Assist Cover only. Specify model.	1
18	9-3197	Stainless Steel Washer	1
19	9-3198	Bolt	1
20	8-2085D	Outbore Bearing	1
21	2-113R	"O" Ring	1
22	9-3196	Brass Fitting	1

PARTS LIST, FULL JACKET DIRECT STEAM STATIONARY KETTLES,  
 MODELS: DL-20F TO 60F, DP-20F TO 60F, DLT-20F TO 60F

**FIGURE 2**

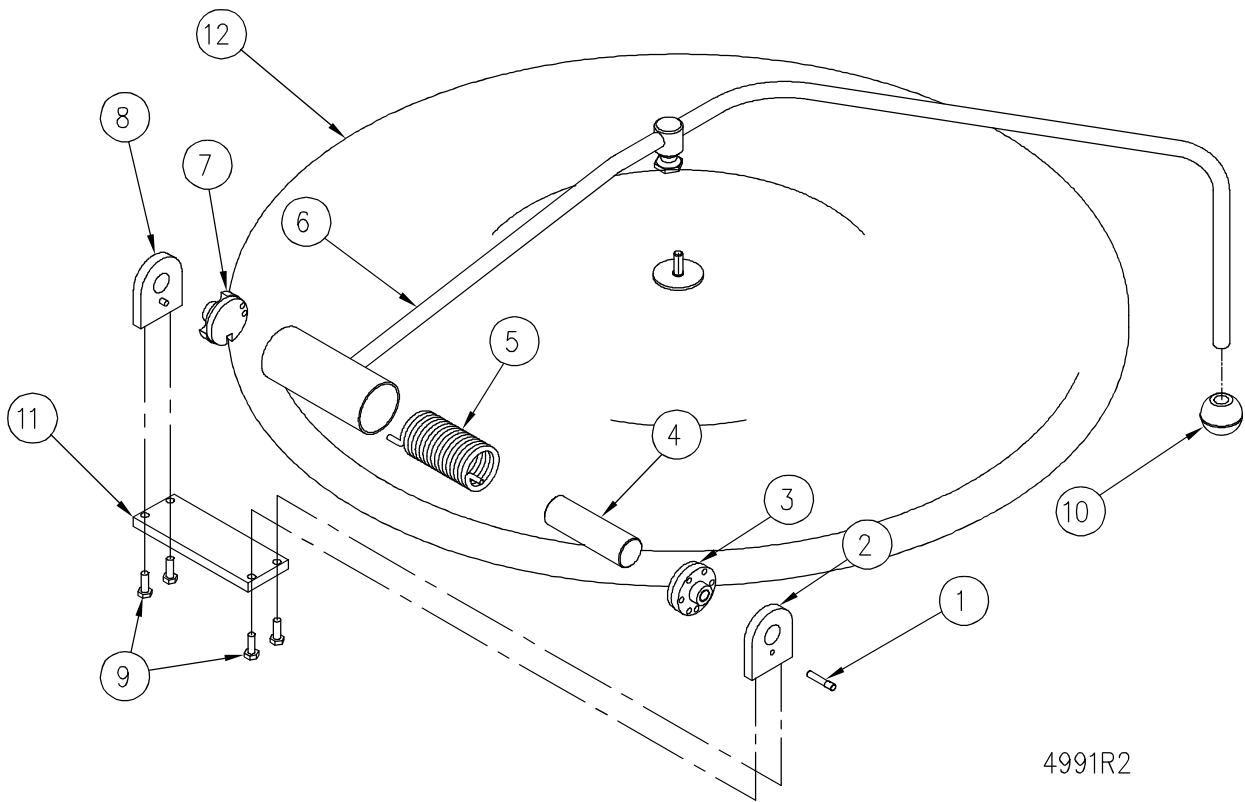
<b><u>ITEM</u></b>	<b><u>PART NUMBER</u></b>	<b><u>DESCRIPTION</u></b>	<b><u>QUANTITY</u></b>
23	1-75C8	Bolt, 3/8 - 16 UNC x 1"	4
24	1-70C0	Lock Washer, 3/8"	4
25	8-2086	Block Bearing	1
26	9011-4	90° Elbow, 3/4"	1
27	9010-024	Nipple, 3/4 x 2-1/2" L.	1
28	9042-4	Coupling, 3/4"	1
29	9010-124	Pipe, Steam Supply, 3/4 x 12-1/2" L.	1
30	3-SCE6	Control Valve, 3/4"	1
31	3-SC06	Control Valve Knob	1
32	9-3374	Decal - Tilt	1
33	5328-1	Washer, 3/4 ID x 1-1/4 OD	1
34	5329-1	Cotter Pin, S.S., 3/16 x 1" L.	1
35	2-218R	"O" Ring	4
36	1-R315	Retaining Ring	1

\* NOT SHOWN

PARTS LIST, FULL JACKET DIRECT STEAM STATIONARY KETTLES,  
MODELS: DL-20F TO 60F, DP-20F TO 60F, DLT-20F TO 60F

**SPRING ASSIST HINGE ASSEMBLY**

**FIGURE 3**



PARTS LIST, FULL JACKET DIRECT STEAM STATIONARY KETTLES,  
 MODELS: DL-20F TO 60F, DP-20F TO 60F, DLT-20F TO 60F

**FROM FIGURE 3**

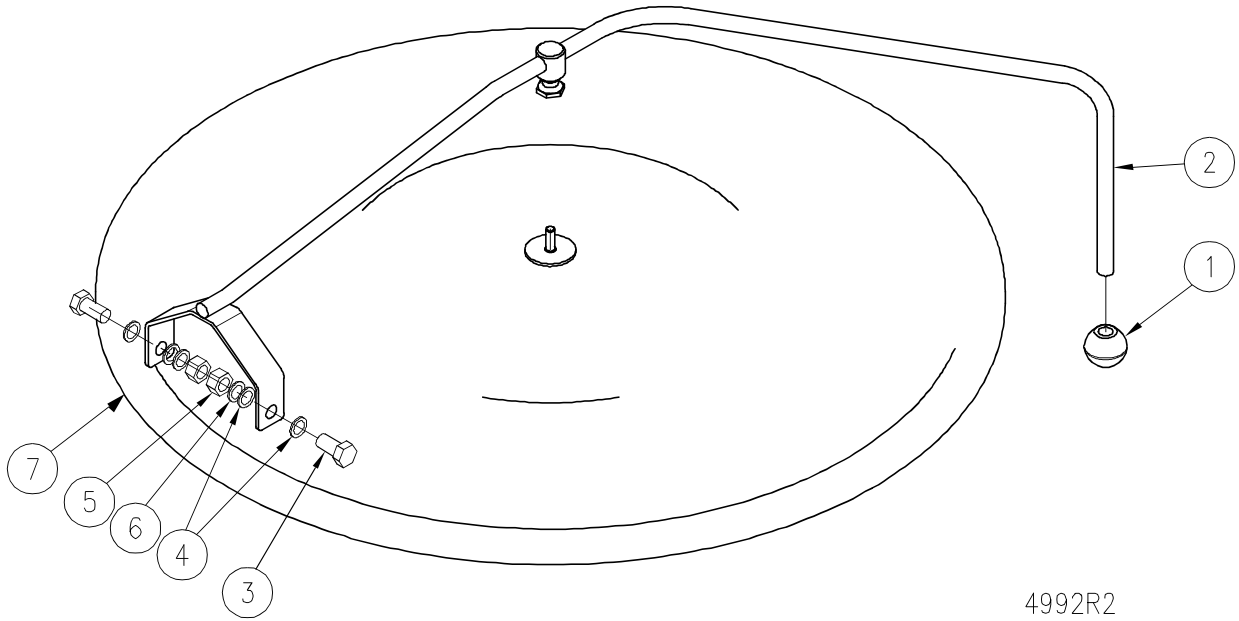
<b><u>ITEM</u></b>	<b><u>PART NUMBER</u></b>	<b><u>DESCRIPTION</u></b>	<b><u>QUANTITY</u></b>
	9-3185	HINGE ASSEMBLY	
1	8-2029	Lock Pin	1
2	8-2035L	End Lock Plate	1
3	5428-1	Stationary Disc	1
	5430-1	Core	1
5	8-2026	Spring	1
** 6	8-2028-2	Handle Assembly, 20 Gallon Kettle	1
	8-2027	Handle Assembly, 30 Gallon Kettle	1
	8-2027-1	Handle Assembly, 40 Gallon Kettle	1
	8-2027-2	Handle Assembly, 60 Gallon Kettle	1
7	5429-1	Rotary Disc	1
8	8-2021	End Stop Plate	1
9	1-66S6	Cap Screws	4
10	2-KB01	Knob	1
11	4261-2	Mounting Plate - Tilting Kettles Only	1
** 12	8-2005	Cover, 20 Gallon Kettle	1
	8-2006	Cover, 30 Gallon Kettle	1
	8-2007	Cover, 40 Gallon Kettle	1
	8-2008	Cover, 60 Gallon Kettle	1

\*\* SELECT AS REQUIRED.

PARTS LIST, FULL JACKET DIRECT STEAM STATIONARY KETTLES,  
 MODELS: DL-20F TO 60F, DP-20F TO 60F, DLT-20F TO 60F

**FIGURE 4**

**HINGE ASSEMBLY**



4992R2

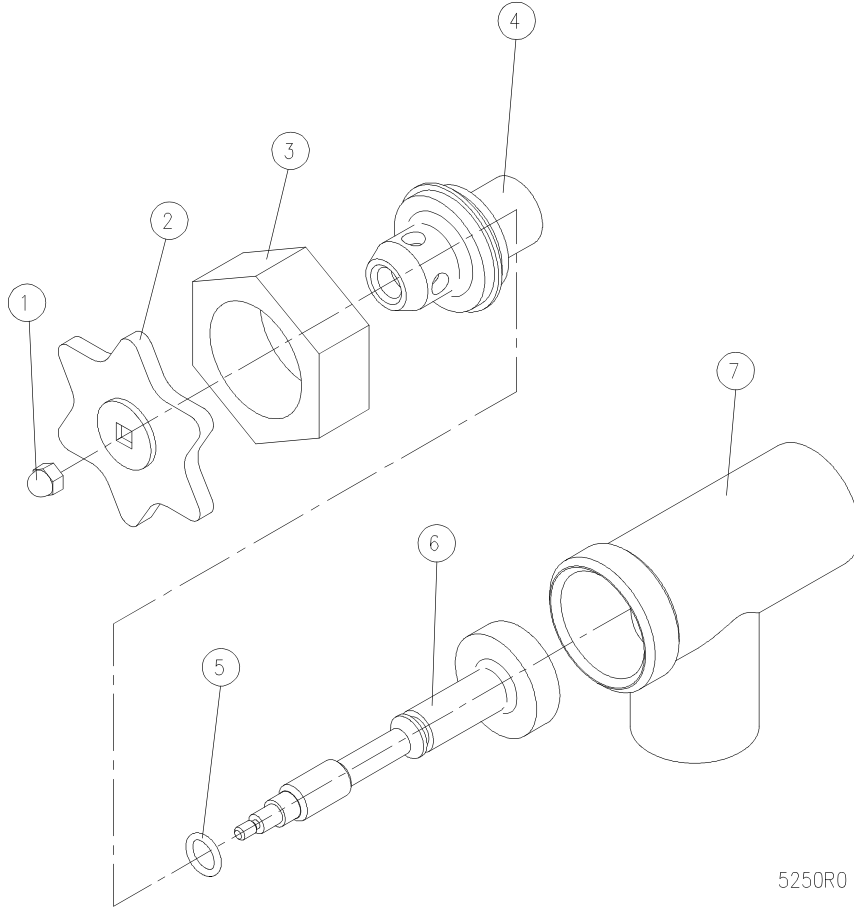
<b><u>ITEM</u></b>	<b><u>PART NUMBER</u></b>	<b><u>DESCRIPTION</u></b>	<b><u>QUANTITY</u></b>
1	2-KB01	Knob	1
2	9-3231-2	Handle Assembly, 20 Gallon Kettle	1
3	1-85S8	Hex Bolt, 1/2 - 20 UNF x 1", S.S.	2
4	1-W0V6	Fibre Washer	4
5	1-89S0	Hex Nut, 1/2 - 20 UNF, S.S.	2
6	S05N-12	Lock Washer, 1/2", S.S.	2
7	8-2005	Cover, 20 Gallon Kettle	1



PARTS LIST, FULL JACKET DIRECT STEAM STATIONARY KETTLES,  
 MODELS: DL-20F TO 60F, DP-20F TO 60F, DLT-20F TO 60F

**DRAW-OFF VALVE**

**FIGURE 5**



5250R0

<u>ITEM</u>	<u>PART NUMBER</u>	<u>DESCRIPTION</u>	<u>QUANTITY</u>
	<b>3-D015</b>	1-1/2" DRAW OFF VALVE ASSEMBLY	
1	<b>9031-3</b>	Acorn Nut, 10-24 UNC	1
2	<b>4115-1</b>	Handle, Stainless Steel	1
3	<b>3-DV13</b>	Gland Nut	1
4	<b>3-DV14</b>	Bonnet	1
5	<b>3-DV16</b>	"O" Ring	1
6	<b>3-DV15RV</b>	Stem Assembly	1
7	<b>3-DV17</b>	Valve Body	1

PARTS LIST, FULL JACKET DIRECT STEAM STATIONARY KETTLES,  
 MODELS: DL-20F TO 60F, DP-20F TO 60F, DLT-20F TO 60F

<u>ITEM</u>	<u>PART NUMBER</u>	<u>DESCRIPTION</u>	<u>QUANTITY</u>
	3-D020	2" DRAW OFF VALVE ASSEMBLY	
1	9031-3	Acorn Nut, 10-24 UNC	1
2	4115-1	Handle, Stainless Steel	1
3	3-DV23	Gland Nut	1
4	3-DV24	Bonnet	1
5	3-DV26	"O" Ring	1
6	3-DV25RV	Stem Assembly	1
7	3-DV27	Valve Body	1

<u>ITEM</u>	<u>PART NUMBER</u>	<u>DESCRIPTION</u>	<u>QUANTITY</u>
	3-D030	3" DRAW OFF VALVE ASSEMBLY	
1	3-DV31	Acorn Nut, 7/16-14 UNC	1
2	3-DV32	Handle, Stainless Steel	1
3	3-DV33	Gland Nut	1
4	3-DV34	Bonnet	1
5	3-DV36	"O" Ring	1
6	3-DV35RV	Stem Assembly	1
7	3-DV37	Valve Body	1