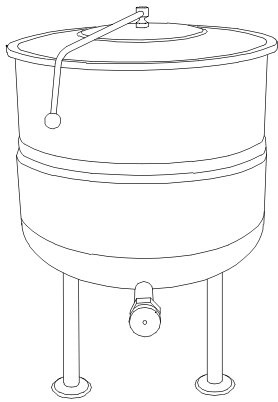




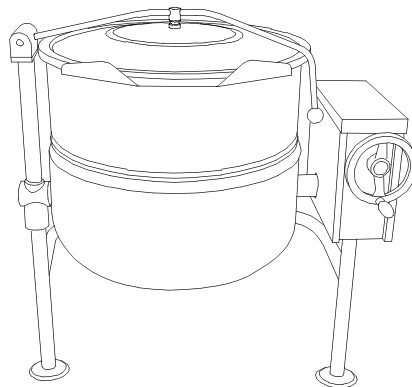
IMPORTANT FOR FUTURE REFERENCE
 Please complete this information and retain this manual for the life of the equipment:

Model #: _____
 Serial #: _____
 Date Purchased: _____

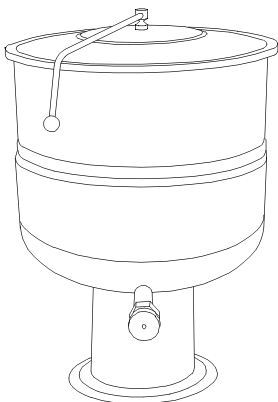
PARTS LIST
Direct Steam Kettles
DL DLT DD DPT



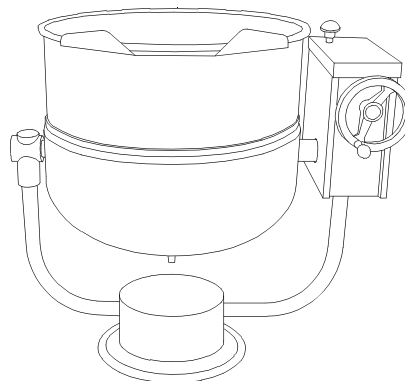
DL



DLT



DP



DPT

⚠ WARNING

Improper installation, adjustment, alteration, service or maintenance can cause property damage, injury or death. Read the installation, operating and maintenance instructions thoroughly before installing or servicing this equipment.

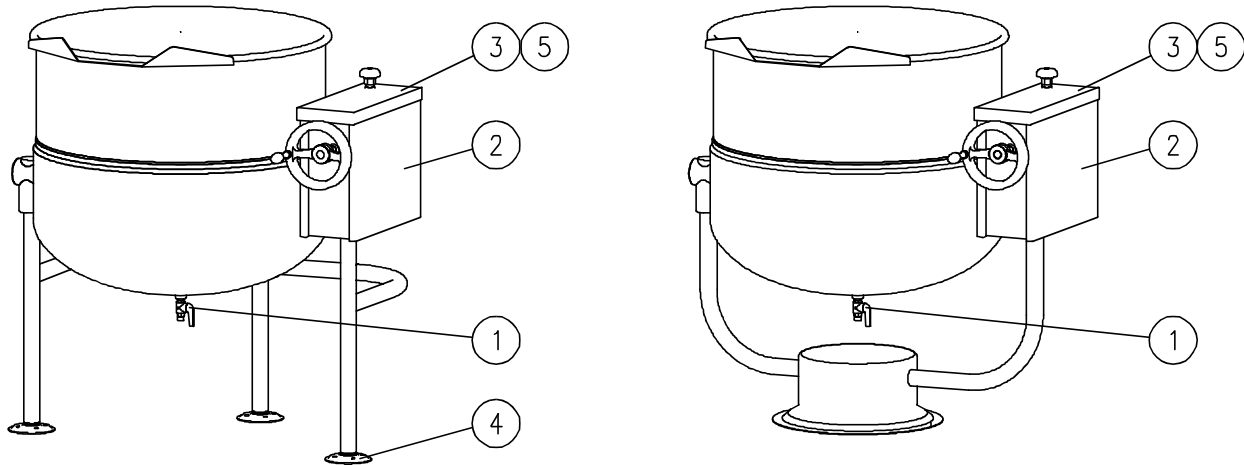
CROWN FOOD SERVICE EQUIPMENT

Division of Middleby Canada Company Inc.
 70 Oakdale Road, Downsview (Toronto) Ontario, Canada, M3N 1V9
 Telephone: 919-762-1000 www.crownsteamgroup.com
 Printed in Canada



PARTS LIST, DIRECT STEAM KETTLES, MODELS DL, DP, DLT, DPT

FIGURE 1



<u>ITEM</u>	<u>PART NUMBER</u>	<u>DESCRIPTION</u>	<u>QUANTITY</u>
1	9189-1	Ball Valve	1
2	2960-2	Tilt Console	1
3	3011-1	Console Cover	1
4	8-1308	Adjustable Foot	3
5	1-34S4	Screw, 10 - 32 x 1/2"	1
* 6	3-SRV8-1	Relief Valve, 35 PSI	1
**	3-SRV9-1	Relief Valve, 50 PSI (Optional)	1
* 7	5184-1	Down Tube for Relief Valve	1

* NOT SHOWN.

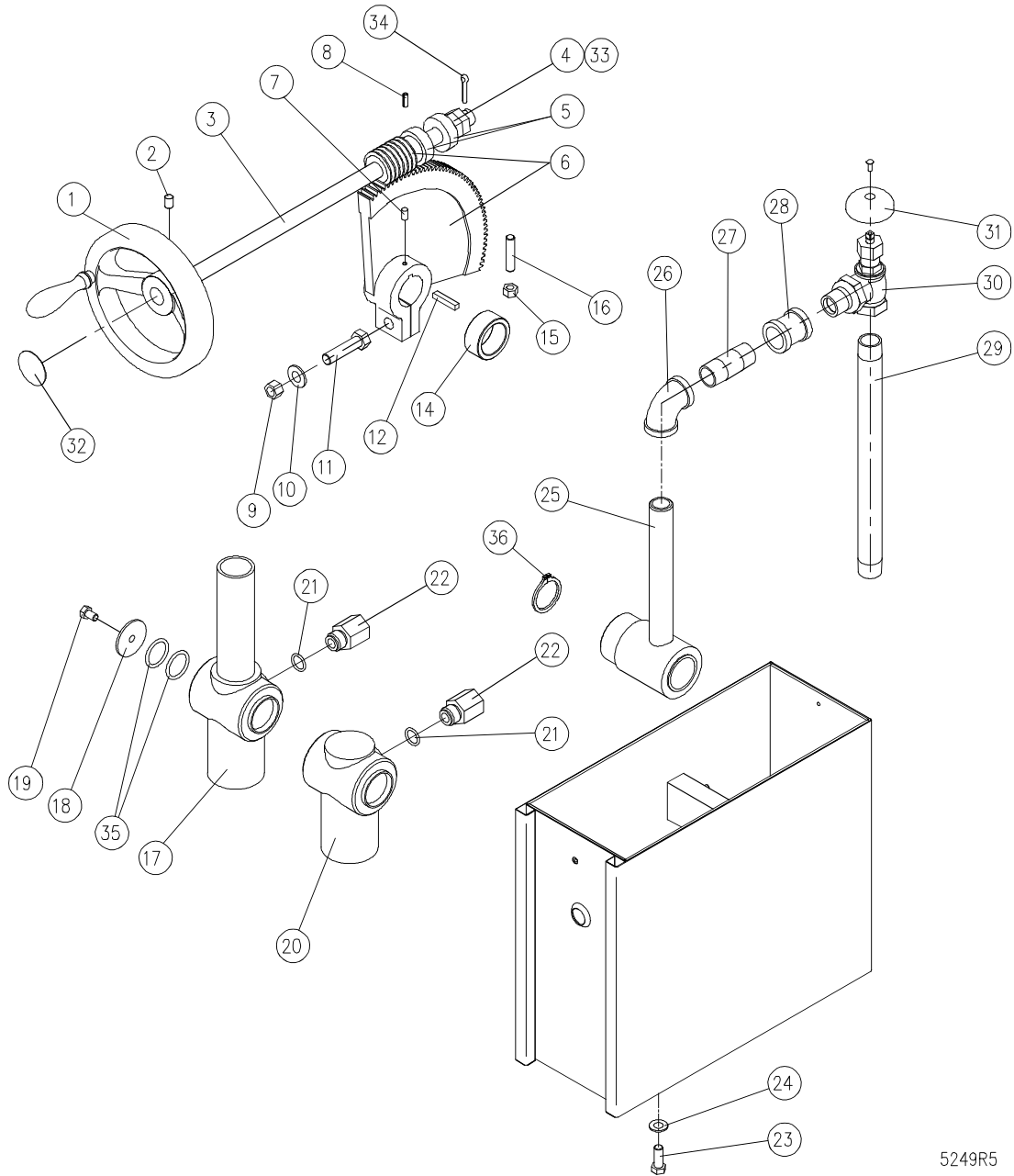
** SELECT AS REQUIRED.

PARTS LIST, DIRECT STEAM KETTLES, MODELS DL, DP, DLT, DPT

MODELS DLT, DPT

TILT CONSOLE PARTS

FIGURE 2



5249R5

PARTS LIST, DIRECT STEAM KETTLES, MODELS DL, DP, DLT, DPT

FIGURE 2**MODELS DLT, DPT**

<u>ITEM</u>	<u>PART NUMBER</u>	<u>DESCRIPTION</u>	<u>QUANTITY</u>
1	8-2054	Handwheel	1
2	1-72U4	Set Screw, 3/8 - 16 x 1/2"	1
3	8-2055	Tilt Shaft	1
4	2-HN66	Jam Nut, 3/4 - 16 UNF	2
5	5327-1	Thrust Bearing	2
6	5393-1	Segment Gear and Worm Gear Kit (Includes Items 7 to 12)	1
7	1-52U4	Set Screw, 1/4 - 20 x 1/2"	1
8	2-T6U5	Tension Pin, 3/16" OD x 1-1/4" L.	1
9	1-99C0	Nut, 1/2 -13 UNC	1
10	1-W4C0	Lock Washer, 1/2"	1
11	2-96C8	Bolt, 1/2 - 13 UNC x 2"	1
12	8-2075-1	Key, 1/4"	1
* 13	9085-1	"O" Ring Lubrication	1
14	8-2057	Spacer	1
15	1-79C0	Nut, 3/8 - 16 UNC	1
16	2-72U7	Set Screw, 3/8-16 UNC x 1 - 3/4"	1
17	8-2085DE	Outbore Bearing Complete With Extension. Used on Spring Assist Cover only. Specify model.	1
18	9-3197	Stainless Steel Washer	1
19	9-3198	Bolt	1
20	8-2085D	Outbore Bearing	1
21	2-113R	"O" Ring	1

PARTS LIST, DIRECT STEAM KETTLES, MODELS DL, DP, DLT, DPT

MODELS DLT, DPT

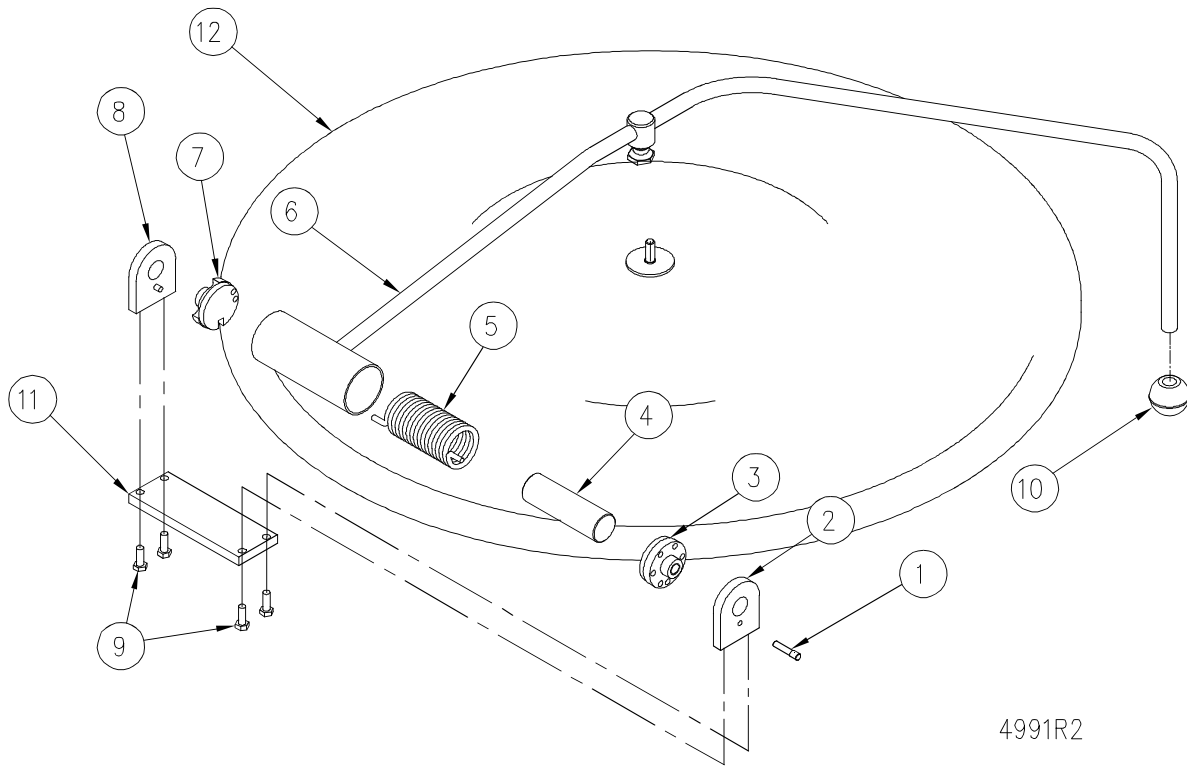
<u>ITEM</u>	<u>PART NUMBER</u>	<u>DESCRIPTION</u>	<u>QUANTITY</u>
22	9-3196	Brass Fitting	1
23	1-75C8	Bolt, 3/8 - 16 UNC x 1"	4
24	1-70C0	Lock Washer, 3/8"	4
25	8-2086	Block Bearing	1
26	9011-4	90° Elbow, 3/4"	1
27	9010-024	Nipple, 3/4 x 2-1/2" L.	1
28	9042-4	Coupling, 3/4 x 2-1/2" L.	1
29	9010-124	Pipe-Steam Supply, 3/4" x 12-1/2" L.	1
30	3-SCE6	Control Valve, 3/4"	1
31	3-SC06	Control Valve Knob	1
32	9-3374	Decal - Tilt	1
33	5328-1	Washer, 3/4" ID x 1-1/4" OD	1
34	5329-1	Cotter Pin, S.S., 3/16" x 1" L.	1
35	2-218R	"O" Ring	4
36	1-R315	Retaining Ring	1

* NOT SHOWN.

PARTS LIST, DIRECT STEAM KETTLES, MODELS DL, DP, DLT, DPT

SPRING ASSIST HINGE ASSEMBLY

FIGURE 3



PARTS LIST, DIRECT STEAM KETTLES, MODELS DL, DP, DLT, DPT

FROM FIGURE 3

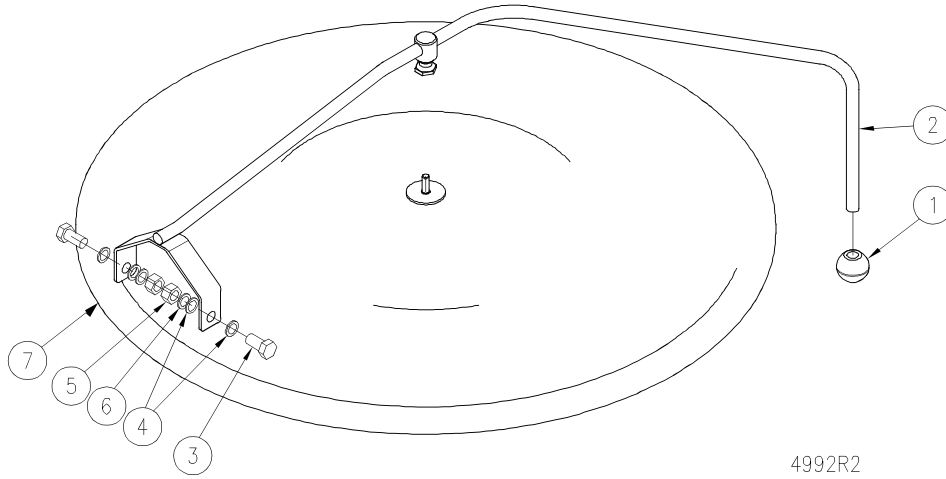
<u>ITEM</u>	<u>PART NUMBER</u>	<u>DESCRIPTION</u>	<u>QUANTITY</u>
	9-3185	HINGE ASSEMBLY	
1	8-2029	Lock Pin	1
2	8-2035L	End Lock Plate	1
3	5428-1	Stationary Disc	1
4	5430-1	Core	1
5	8-2026	Spring	1
** 6	8-2028	Handle Assembly, 20 Gallon Kettle	1
	8-2028-1	Handle Assembly, 30 Gallon Kettle	1
	8-2028-2	Handle Assembly, 40 Gallon Kettle	1
	8-2027	Handle Assembly, 60 Gallon Kettle	1
	8-2027-1	Handle Assembly, 80 Gallon Kettle	1
	8-2027-2	Handle Assembly, 100 Gallon Kettle	1
7	5429-1	Rotary Disc	1
8	8-2021	End Stop Plate	1
9	1-66S6	Cap Screws	4
10	2-KB01	Knob	1
11	4261-2	Mounting Plate - Tilting Kettles Only	1
** 12	8-2003	Covers, 20 Gallon Kettle	1
	8-2004	Covers, 30 Gallon Kettle	1
	8-2005	Covers, 40 Gallon Kettle	1
	8-2006	Covers, 60 Gallon Kettle	1
	8-2007	Covers, 80 Gallon Kettle	1
	8-2008	Covers, 100 Gallon Kettle	1

** SELECT AS REQUIRED.

PARTS LIST, DIRECT STEAM KETTLES, MODELS DL, DP, DLT, DPT

MODELS DL, DP
HINGE ASSEMBLY

FIGURE 5

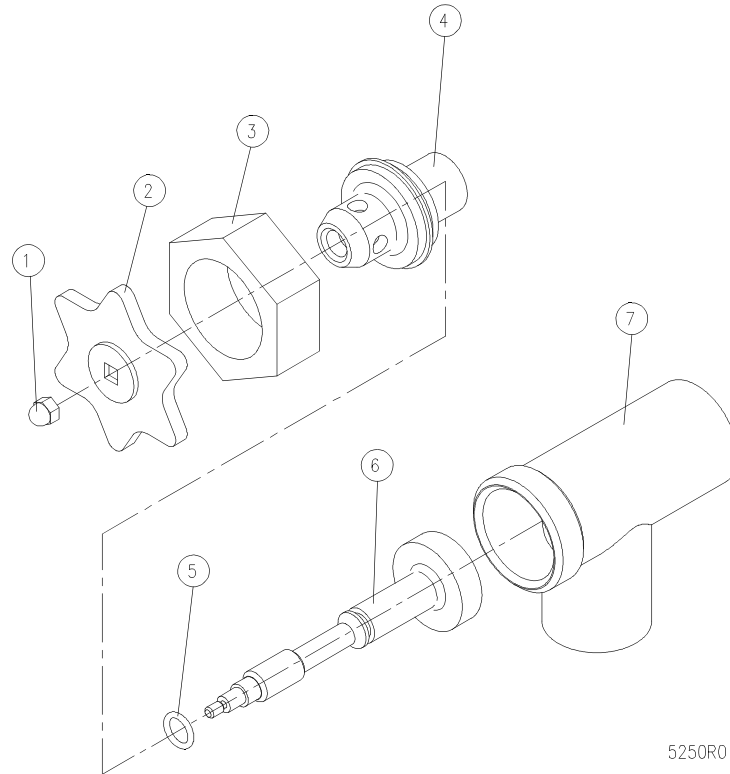


<u>ITEM</u>	<u>PART NUMBER</u>	<u>DESCRIPTION</u>	<u>QUANTITY</u>
1	2-KB01	Knob	1
** 2	9-3231	Handle Assembly, 20 Gallon Kettle	1
	9-3231-1	Handle Assembly, 30 Gallon Kettle	1
	9-3231-2	Handle Assembly, 40 Gallon Kettle	1
3	1-85S8	Hex Bolt, 1/2 -20 UNF x 1" S.S.	2
4	1-W0V6	Fibre Washer	4
5	1-89S0	Hex Nut, 1/2 - 20 UNF, S.S.	2
6	S05N-12	Split Lock Washer, 1/2", S.S.	2
7	8-2003	Cover, 20 Gallon Kettle	1
	8-2004	Cover, 30 Gallon Kettle	1
	8-2005	Cover, 40 Gallon Kettle	1

** SELECT AS REQUIRED.

PARTS LIST, DIRECT STEAM KETTLES, MODELS DL, DP, DLT, DPT
DRAW-OFF VALVE

FIGURE 6



<u>ITEM</u>	<u>PART NUMBER</u>	<u>DESCRIPTION</u>	<u>QUANTITY</u>
	3-D015	1-1/2" DRAW OFF VALVE ASSEMBLY	
1	9031-3	Acorn Nut 10-24 UNC	1
2	4115-1	Handle, Stainless Steel	1
3	3-DV13	Gland Nut	1
4	3-DV14	Bonnet	1
5	3-DV16	"O" Ring	1
6	3-DV15RV	Stem Assembly	1
7	3-DV17	Valve Body	1

PARTS LIST, DIRECT STEAM KETTLES, MODELS DL, DP, DLT, DPT

<u>ITEM</u>	<u>PART NUMBER</u>	<u>DESCRIPTION</u>	<u>QUANTITY</u>
	3-D020	2" DRAW OFF VALVE ASSEMBLY	
1	9031-3	Acorn Nut, 10-24 UNC	1
2	4115-1	Handle, Stainless Steel	1
3	3-DV23	Gland Nut	1
4	3-DV24	Bonnet	1
5	3-DV26	"O" Ring	1
6	3-DV25RV	Stem Assembly	1
7	3-DV27	Valve Body	1

<u>ITEM</u>	<u>PART NUMBER</u>	<u>DESCRIPTION</u>	<u>QUANTITY</u>
	3-D030	3" DRAW OFF VALVE ASSEMBLY	
1	3-DV31	Acorn Nut, 7/16-14 UNC	1
2	3-DV32	Handle, Stainless Steel	1
3	3-DV33	Gland Nut	1
4	3-DV34	Bonnet	1
5	3-DV36	"O" Ring	1
6	3-DV35RV	Stem Assembly	1
7	3-DV37	Valve Body	1