



Stabilimento: 83051 Nucero (AV) Zona Ind.le
Sede Legale: Montebello (AV) Via. F.lli Bernabè
Tel. 0827/607318/19/44
Fax. 0827/607009
VERBA LA RIPRODUZIONE O COMUNICAZIONE A TERZI
DI QUESTO DISEGNO SENZA AUTORIZZAZIONE SCRITTA

DESMON

FPTM3-80-ETL

FOGLIO

1/1

DISEGNATORE CAD

DESMON *

DATA DI REALIZZAZIONE

REV. N°

00

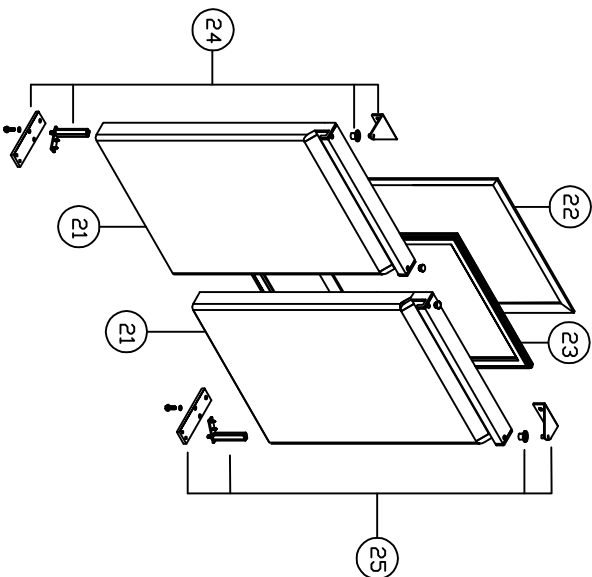
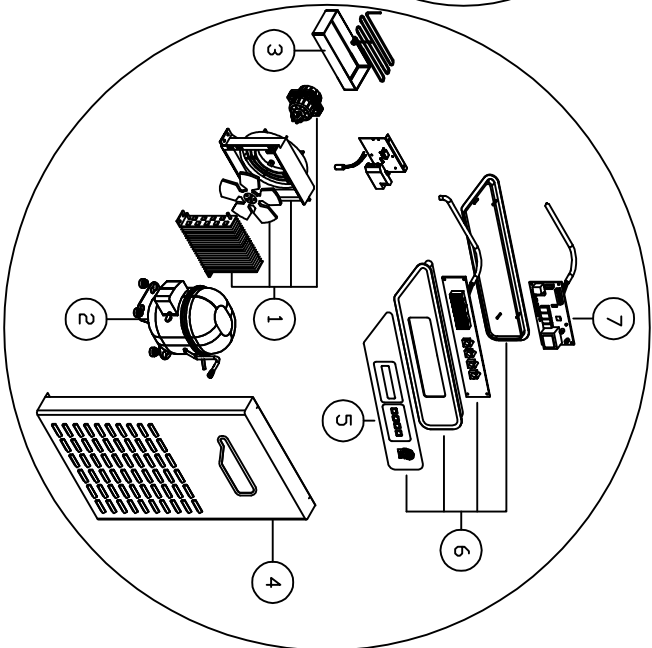
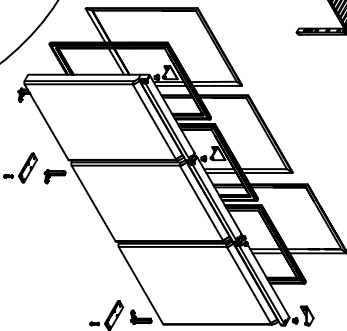
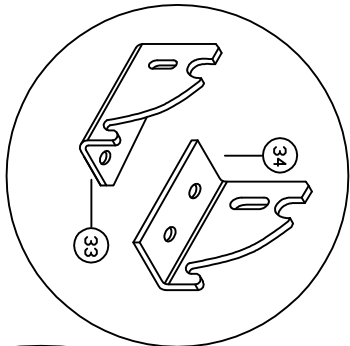
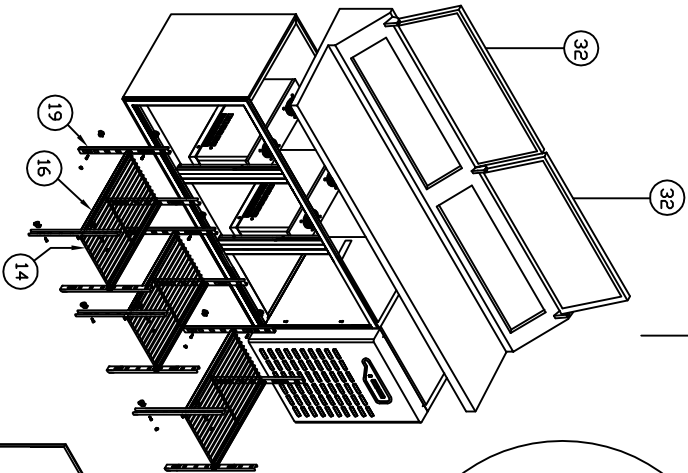
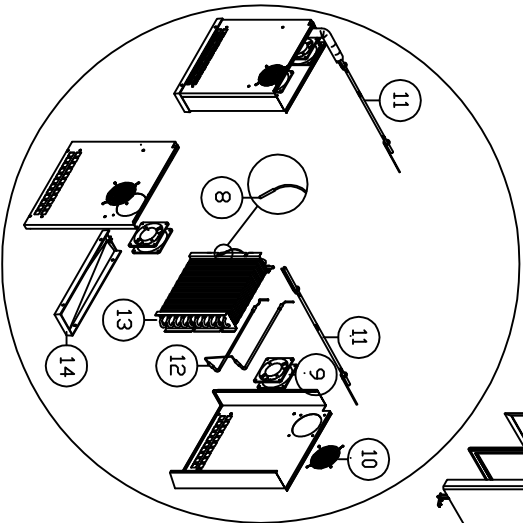
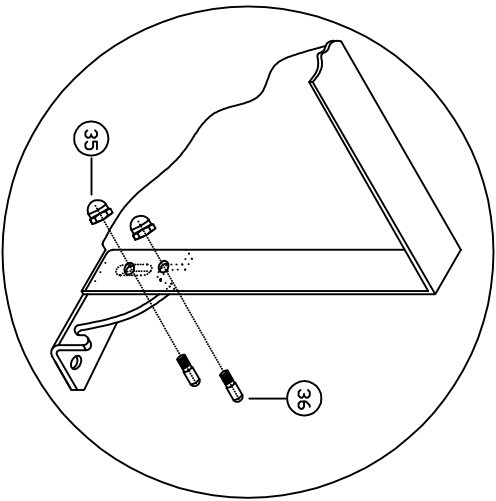
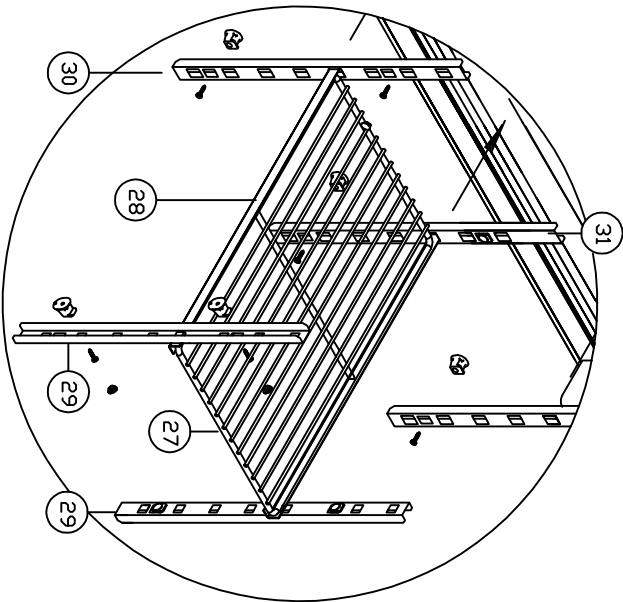
DISEGNATORE REV.

-

DATA REV.

11/12/2012

DESCRIZIONE MODIFICA



ITEM N°	PART NUMBER	DESCRIPTION
1	Q32-0213UL	CONDENSER ASSY STVF 194
2	Q32-0850	COMPRESSOR CAE4450Z-A 115V 60HZ
4	4165392S	FRONT PANEL
5	B99-0215	GOLD COUNTER KEYBOARD SERIGRAPHY
6	81190200	KEYBOARD KIT FOR COUNTER
7	R35-0400UL	REMOTE RELAIS BOARD
8	Q32-0578	NTC PROBE
9	R05-0010	EVAPORATOR FAN MOTOR
10	Q32-0301	FINGER GUARD FOR EVAPORATOR FAN MOTOR
11	Q32-0137	SUCTION LINE W/CAPILLARY
13	Q32-0379CTAY	EVAPORATOR COIL
14	89516063	EVAPORATOR DRIP TRAY
21	61010510	DOOR ASSY
22	H62-295060	DOOR FRAME PLASTIC STRIP
23	H25-0056	GASKET 520X620
24	89100100	DOOR HINGE KIT - LEFT HAND
25	89000100	DOOR HINGE KIT - RIGHT HAND
26	P80-0026	WHEELS
28	4181834	SHELF RAIL
29	4182843	VERTICAL FRONT BAR SUPPORT FOR SHELF RAILS
30	4182833	VERTICAL REAR LEFT BAR SUPPORT FOR SHELF RAILS
31	4182823	VERTICAL REAR RIGHT BAR SUPPORT FOR SHELF RAILS
32	4181154S	S/S LID FOR 3 DOORS PREP TABLES
33	4180356	RIGHT HINGE FOR S/S LID (PREP TABLES)
34	4180366	LEFT HINGE FOR S/S LID (PREP TABLES)
35	P58-0135	NYE LOCK NUT FOR S/S LID (PREP TABLES)
36	P58-0084	BOLT FOR S/S LID (PREP TABLES)