



Stabilimento: 83051, Nusco (AV) - Zona Ind.le  
Sede Legale: Montemanteo (AV) - Via. F.lli Bernabè  
Tel. 0827/607318/19/44  
Fax. 0827/607009  
VERBA LA RIPRODUZIONE O COMUNICAZIONE A TERZI  
DI QUESTO DISSEGNO SENZA AUTORIZZAZIONE SCRITTA

DESMON

GB7-ETL

FOGLIO

1/1

DISEGNATORE CAD

DESMON \*

DATA DI REALIZZAZIONE

REV. N°

00

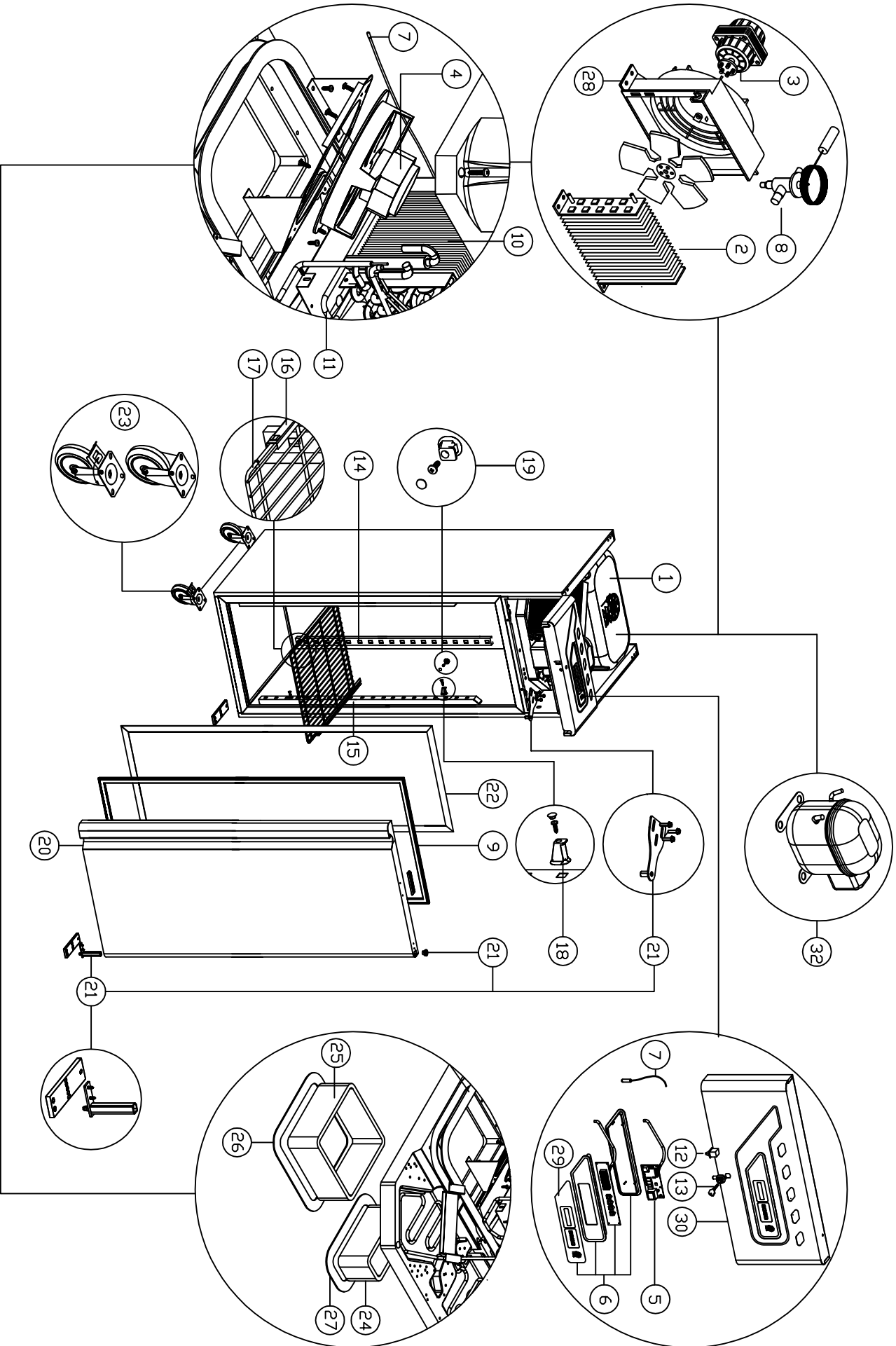
DISEGNATORE REV.

DESMON \*

DATA REV.

28/11/2012

DESCRIZIONE MODIFICA



<b>ITEM N°</b>	<b>PART NUMBER</b>	<b>DESCRIPTION</b>
1	901171063	MONOBLOCK FOR GB7
2	Q32-0376UL	CONDENSER COIL STFT 18227
3	R05-0260	CONDENSER FAN MOTOR
4	R05-0210	EVAPORATOR FAN MOTOR
5	R35-0400UL	REMOTE RELAIS BOARD
6	80190040	KEYBOARD KIT FOR REACH IN
7	Q32-0578	NTC PROBE
8	R30-0056	TX VALVE
9	H25-0051	GASKET 660X1585
10	Q32-0692Y	EVAPORATOR COIL
11	R35-100RS3336	DEFROST HEATER
12	R25-0086	DOOR SWITCH
13	P25-0004	DOOR LOCK
14	4080153	VERTICAL REAR BAR SUPPORT FOR SHELF RAILS
15	4080163	VERTICAL FRONT BAR SUPPORT FOR SHELF RAILS
16	4180014	SHELF RAIL
17	Q32-0002	SHELF - PLASTIC COATED
18	H49-0062	FRONT BAR FIXING SUPPORT
19	H49-0063	REAR BAR FIXING SUPPORT
20	600000463	DOOR ASSY
21	89000030	DOOR HINGE KIT
22	H62-295060	DOOR FRAME PLASTIC STRIP
23	P80-0026	WHEELS
24	80010530	POLYURETHANE OUTLET AIR BAFFLE
25	80010520	POLYURETHANE INLET AIR BAFFLE
26	H25-0038	MONOBLOCK BASIS-TOP SEAL INLET
27	H25-0040	MONOBLOCK BASIS-TOP SEAL OUTLET
28	Q32-0111	CONDENSER AIR BAFFLE
29	B99-0213	GOLD REACH-IN KEYBOARD SERIGRAPHY
30	4160195S	FRONT PANEL
32	Q32-0476	COMPRESSOR CAJ2446Z-A 115/60 Hz