

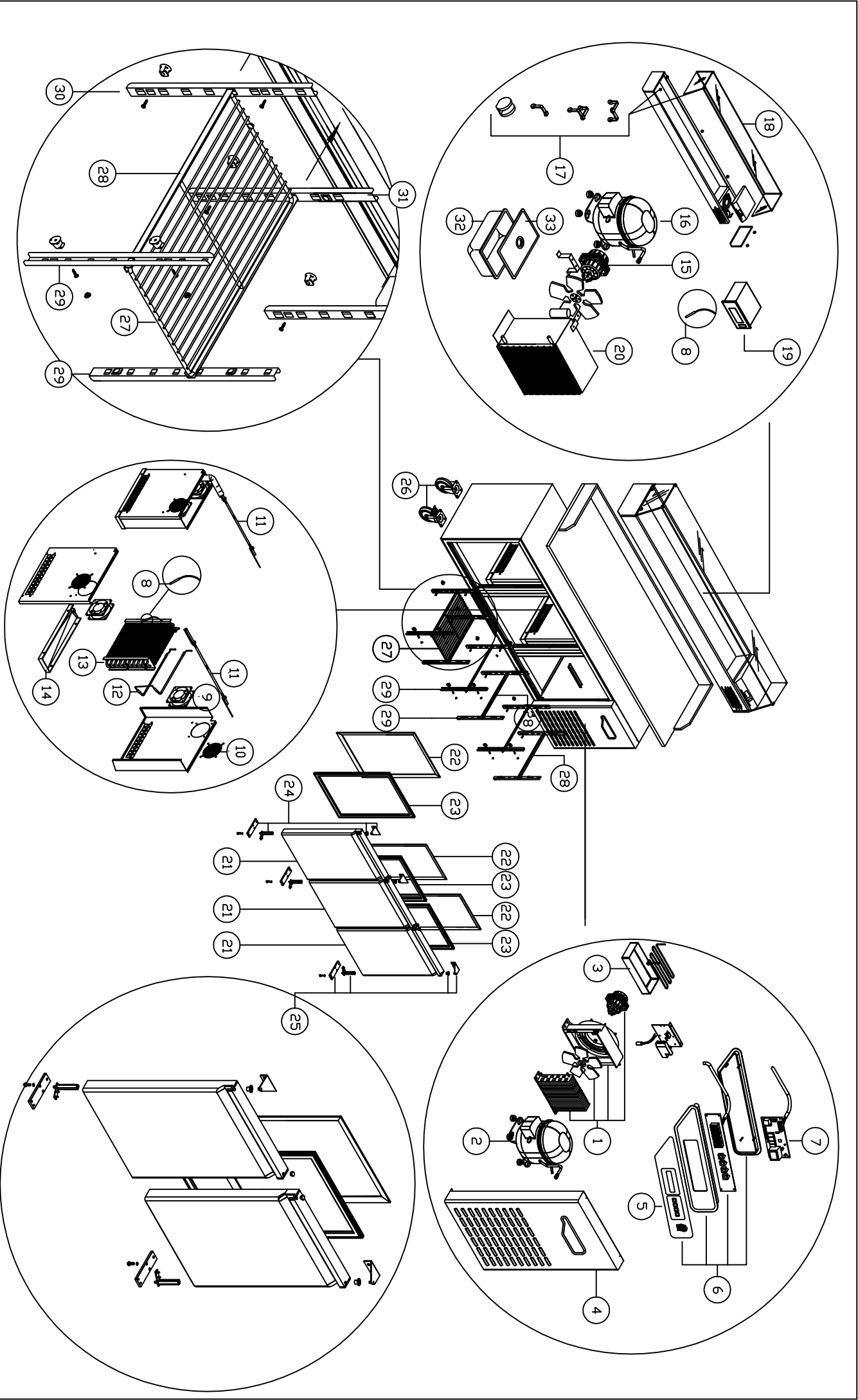

DESMON
 Stabilimento 83051 Nucera (AV) Zona Ind.le
 Sede Legale Montebello (AV) Via. F.lli Bernabè
 Tel. 0827/607318/19/44
 Fax. 0827/607009
 VIETATA LA RIPRODUZIONE O COMUNICAZIONE A TERZI
 DI QUESTO DISCORSO SENZA AUTORIZZAZIONE SCRITTA

DEMINIAZIONE

GPZ225A-ETL

FOGLIO	REV. N°
1/1	00
DISEGNATORE CAD	DISEGNATORE REV.
DESMON *	
DATA DI REALIZZAZIONE	DATA REV.
18/12/2012	-

DESCRIZIONE MODIFICA



ITEM N°	PART NUMBER	DESCRIPTION
1	Q32-0211UL	CONDENSER ASSY STVF 124
2	Q32-0503	COMPRESSOR AEZ4430Z-A 115/60
3	Q32-0193	WATER COLLECTOR TRAY (EXTERNAL)
4	4160582S	FRONT PANEL
5	B99-0215	GOLD COUNTER KEYBOARD SERIGRAPHY
6	81190200	KEYBOARD KIT FOR COUNTER
7	R35-0400UL	REMOTE RELAIS BOARD
8	Q32-0578	NTC PROBE
9	R05-0010	EVAPORATOR FAN MOTOR
10	Q32-0301	FINGER GUARD FOR EVAPORATOR FAN MOTOR
11	Q32-0137	SUCTION LINE W/CAPILLARY
12	R35-0072	DEFROST HEATER
13	Q32-0370	EVAPORATOR COIL
14	89010017	EVAPORATOR DRIP TRAY (INTERNAL)
15	R05-0191	CONDENSER FAN MOTOR
16	Q32-0479	COMPRESSOR THB1335Y-A 115V60HZ (R134a)
17	KIT-ATR	GLASS KEEPER BRACKETS KIT
18	M62-0223	GLASS ASSY FOR TOP UNIT
19	R35-EWP0961A-115V	CONTROLLER
21	61010510	DOOR ASSY
22	H62-295060	DOOR FRAME PLASTIC STRIP
23	H25-0056	GASKET 520X620
23	H25-0056	GASKET 520X620
24	89100100	DOOR HINGE KIT - LEFT HAND
25	89000100	DOOR HINGE KIT - RIGHT HAND
26	P80-0026	WHEELS
27	Q32-4666-ETL	SHELF FOR PIZZA TABLE - PLASTIC COATED
28	4181834	SHELF RAIL
29	4182843	VERTICAL FRONT BAR SUPPORT FOR SHELF RAILS
30	4182833	VERTICAL REAR LEFT BAR SUPPORT FOR SHELF RAILS
31	4182823	VERTICAL REAR RIGHT BAR SUPPORT FOR SHELF RAILS