



## Illustrated Parts List

### **ELECTRIC OPEN WELL FOOD WARMERS**

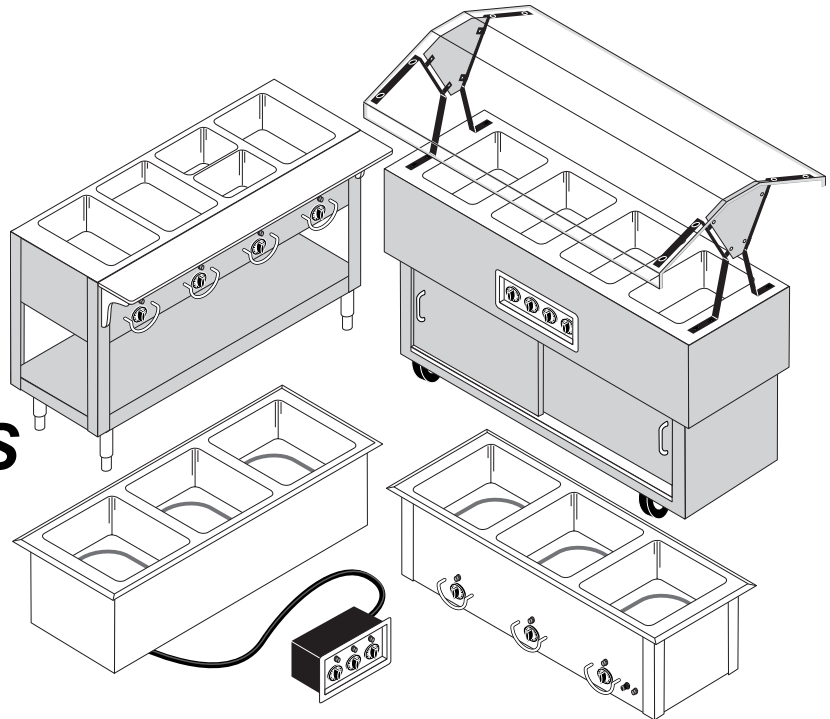
#### **Aerohot**

**E302 – E305**

**EP302 – EP305**

**ADI1E – ADI5E**

**ASI1E – ASI5E**



#### **Economate**

**OPAH2 – OPAH4**

---

*This manual is Copyright © 2006 Duke Manufacturing Company. All rights reserved.  
Reproduction without written permission is prohibited. Duke is a registered  
trademark of the Duke Manufacturing Company.*

## **Duke Manufacturing Company**

**2305 N. Broadway  
St. Louis, MO 63102  
Phone: 314-231-1130  
Toll Free: 1-800-735-3853  
Fax: 314-231-5074  
[www.dukemfg.com](http://www.dukemfg.com)**



## TABLE OF CONTENTS

AEROHOT.....	4
Table: PL-1 Aerohot.....	4
Figure: PL-1 Aerohot E and EP Models.....	5
Figure: PL-1 Aerohot Drop-In Models ADI 1E - 5E.....	6
Figure: PL-1 Aerohot Slide-In Models ASI 1E - 5E.....	7
ECONOMATE.....	8
Table: PL-2 Economate OPAH2 – OPAH4.....	8
Figure: PL-2 Economate OPAH2 – OPAH4.....	9

## AEROHOT ELECTRIC OPEN WELL FOOD WARMERS – PARTS LIST

ITEM	QUANTITY	PART NUMBER	DESCRIPTION
1	AR	5580-2	Infinite Switch 120VAC except ASI models
	AR	5578-2	Infinite Switch 208VAC except ASI models
	AR	5579-2	Infinite Switch 240VAC except ASI models
	AR	2081-2	Electric Thermostat ASI models only
2	AR	2190-2	Electric Knob ASI models only
	AR	2164-2	Electric Knob all models except ASI models
3	AR	215550	Pilot Light, amber all 115VAC models
	1	215555	Pilot Light, red 208 – 240VAC ASI models
	AR	215556	Pilot Light, amber all 208 – 240VAC models
4	AR	4405-2	Knob Guard – all models
5	1	2113-2	Toggle Switch, 1 phase – ASI models
	1	2100-2	Toggle Switch, 3 pole 3 phase – ASI models
6	AR	2402-2	Dome Element 118VAC 500 Watt
	AR	2403-2	Dome Element 118VAC 750 Watt
	AR	2404-2	Dome Element 208VAC 750 Watt
	AR	2405-2	Dome Element 236VAC 750 Watt
	AR	2408-2	Dome Element 115VAC 1000 Watt
	AR	2409-2	Dome Element 208VAC 500 Watt
	AR	2407-2	Dome Element 236VAC 1000 Watt
	AR	2410-2	Dome Element 236VAC 500 Watt
7	AR	06-5013-0032	Element Support Clip – all models.
8	1	215301	Poly Carving Board E & EP 302 models
	1	215302	Poly Carving Board E & EP 303 models
	1	215303	Poly Carving Board E & EP 304 models
	1	215304	Poly Carving Board E & EP 305 models
9	1	230012	Carving Board Shelf E & EP 302 models
	1	230013	Carving Board Shelf E & EP 303 models
	1	230014	Carving Board Shelf E & EP 304 models
	1	230015	Carving Board Shelf E & EP 305 models
10	AR	215574	Carving Board Mounting Bracket E/EP models
11	4	AF-LF	6" Adjustable Leg and Food all E models
	1	FCA-KIT-NELO	5" Swivel Caster kit all EP models
12	1	215047	Black K-Line Handle all EP models

**Table: PL-1 Aerohot**

### AEROHOT E AND EP MODELS

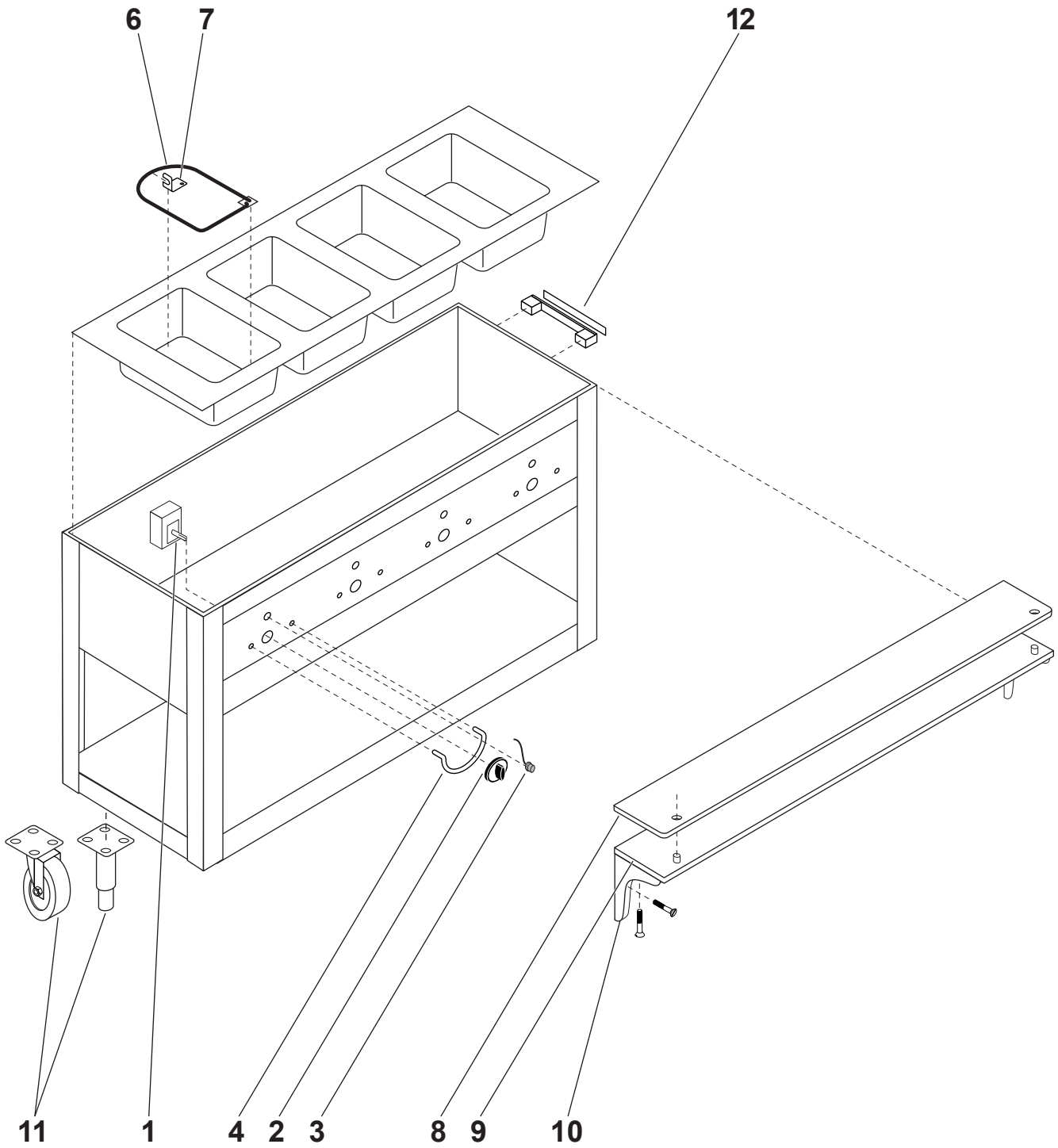


Figure: PL-1 Aerohot

## AEROHOT DROP-IN MODELS (ADI-1E THROUGH ADI-5E)

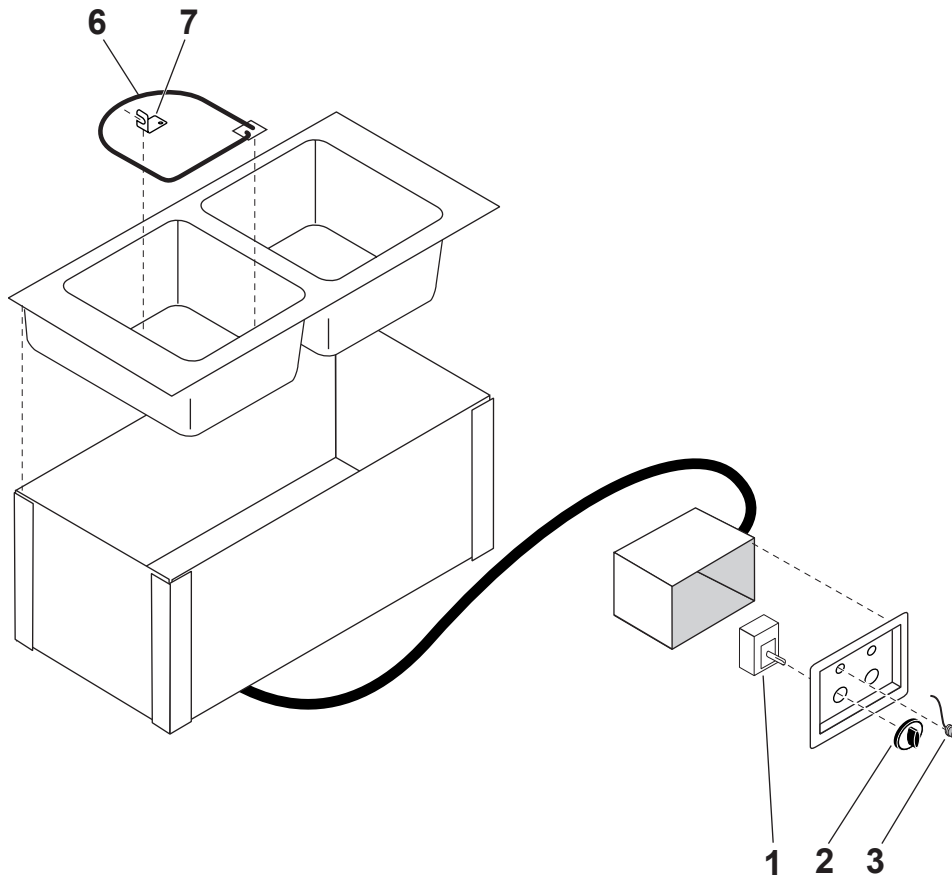


Figure: PL-1 Aerohot Drop-In

## AEROHOT SLIDE-IN MODELS (ASI-1E THROUGH ASI-5E)

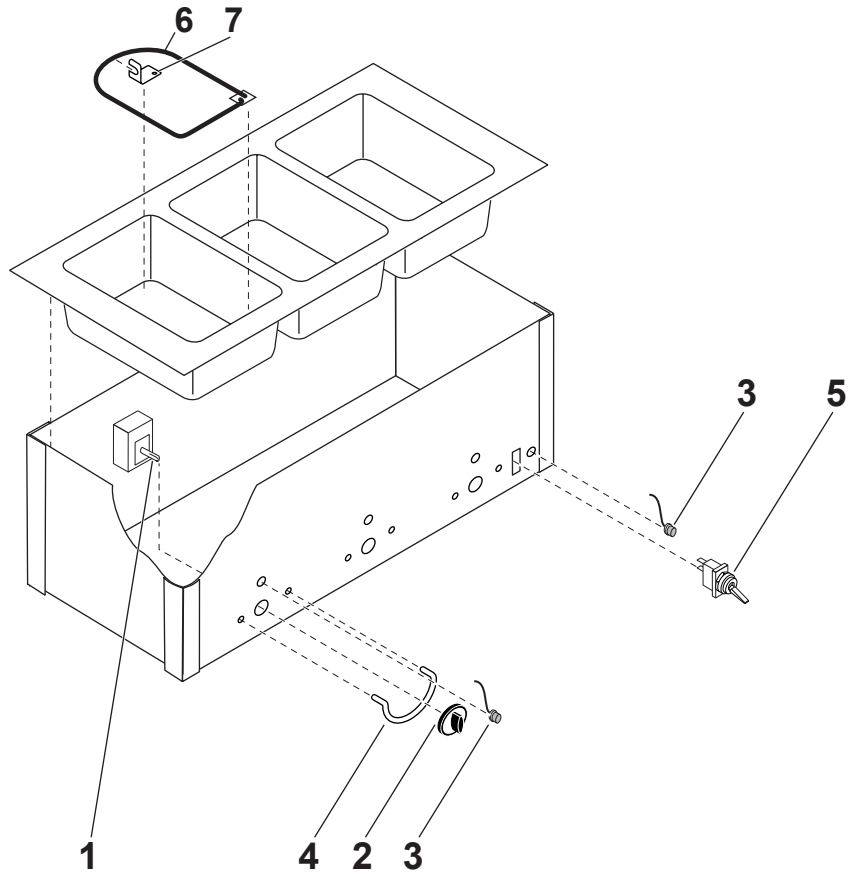


Figure: PL-1 Aerohot Slide-In

## ECONOMATE ELECTRIC OPEN WELL FOOD WARMERS – PARTS LIST

ITEM	QUANTITY	PART NUMBER	DESCRIPTION
1	AR	<a href="#">5580-2</a>	Infinite Switch 120VAC
	AR	<a href="#">5578-2</a>	Infinite Switch 208VAC
	AR	<a href="#">5579-2</a>	Infinite Switch 240VAC
2	AR	<a href="#">2164-2</a>	Electric Knob
3	AR	212402	Dome Element 118VAC 500 Watt
	AR	<a href="#">2403-2</a>	Dome Element 118VAC 750 Watt
	AR	<a href="#">2404-2</a>	Dome Element 208VAC 750 Watt
	AR	<a href="#">2405-2</a>	Dome Element 236VAC 750 Watt
	AR	<a href="#">2408-2</a>	Dome Element 115VAC 1000 Watt
	AR	<a href="#">2409-2</a>	Dome Element 208VAC 500 Watt
	AR	<a href="#">2407-2</a>	Dome Element 236VAC 1000 Watt
	AR	<a href="#">2410-2</a>	Dome Element 236VAC 500 Watt
	4	AR	<a href="#">3043-2</a>
5	1	FCA-KIT-NELO	5" Swivel Caster Kit
6	1	213810	Canopy 30 3/8"
	1	213811	Canopy 44 3/8"
	1	213812	Canopy 58 3/8"
7	2	<a href="#">230374</a>	Canopy Bracket LH
8	2	<a href="#">230375</a>	Canopy Bracket RH
9	1	<a href="#">230236</a>	Switch Control Panel – 2 pan unit
	1	230237	Switch Control Panel – 3 pan unit
	1	230238	Switch Control Panel – 4 pan unit

**Table: PL-2 Economate**



### ECONOMATE

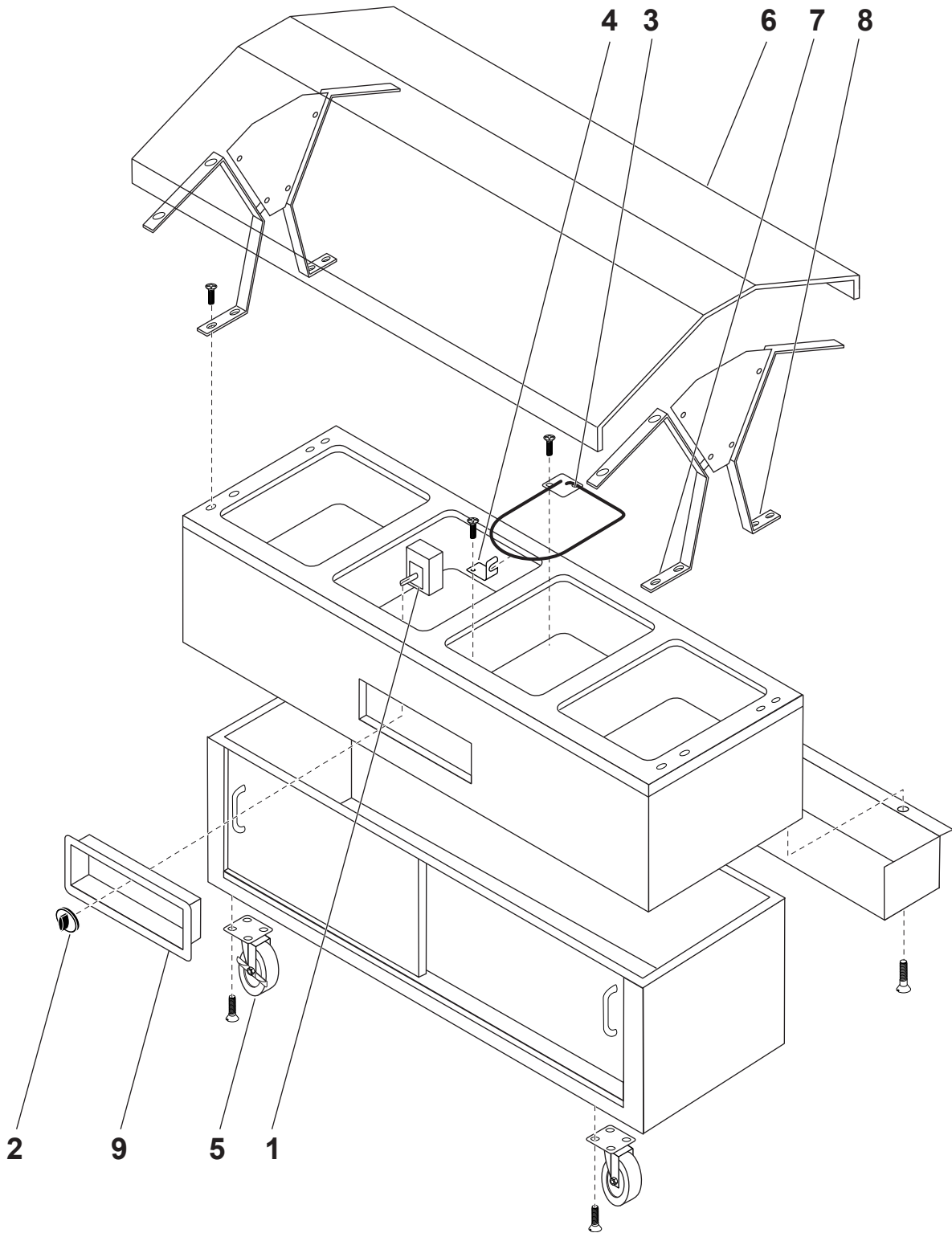


Figure: PL-2 Economate







## **Duke Manufacturing Company**

**2305 N. Broadway  
St. Louis, MO 63102  
Phone: 314-231-1130  
Toll Free: 1-800-735-3853  
Fax: 314-231-5074  
[www.dukemfg.com](http://www.dukemfg.com)**