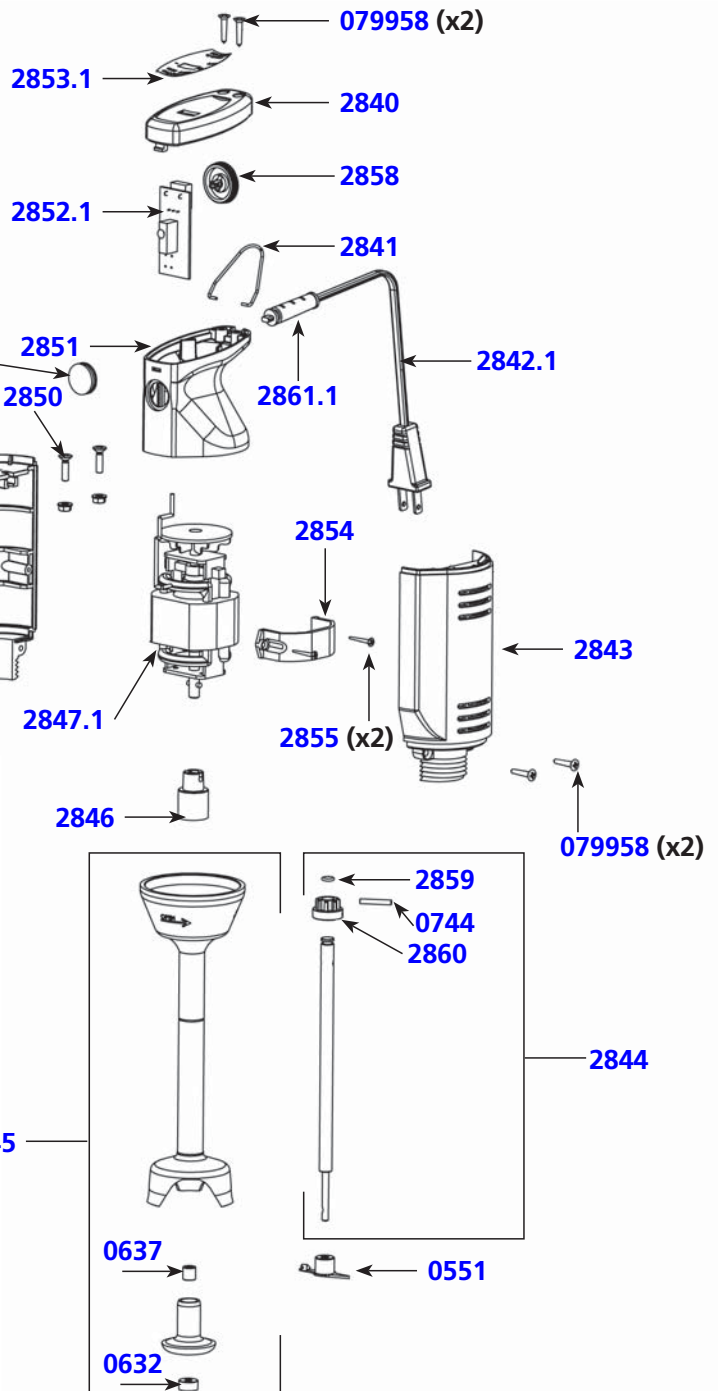
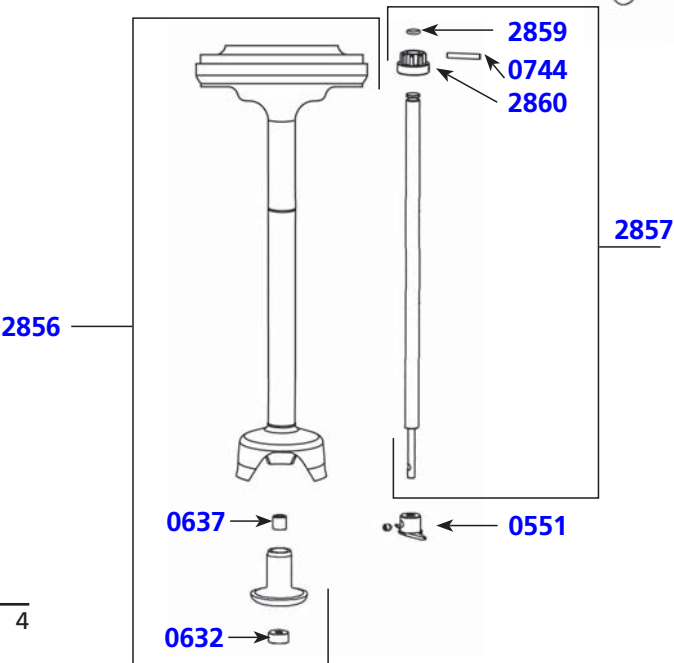
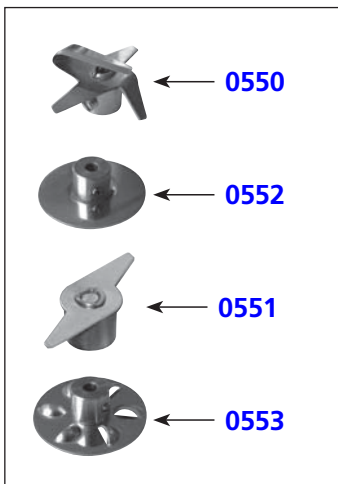


Mixer MINIPRO

Parts list	Code	List \$ Price
Emulsifying blade	0550	16,52
Standard blade with screws	0551	16,52
Batter blade with screws	0552	16,52
Smoothie emulsifying blade with screws	0553	16,52
Double lip waterproof seal	0632	9,30
Self-lubricating ring	0637	2,07
Pins 3 x 20	0744	2,38
Cover or handle screws	079958	2,18
Cover	2840	15,50
Hook	2841	8,39
Power cord	2842	21,65
Right handle	2843	49,89
Shaft and sprocket	2844	23,32
Minipro foot assembly + bushing + seal	2845	103,09
Coupling	2846	14,38
Motor 230 V	2847	102,56
Motor 115 V	2847.1	102,56
Dynamic label	2848	13,35
Left handle	2849	49,89
Screws + washer + handle nuts (2)	2850	2,54

Parts list	Code	List \$ Price
Handle	2851	26,45
Circuit board	2852.1	66,35
ID label (230V)	2853	5,76
ID label (115V)	2853.1	5,76
Motor bracket	2854	16,93
Screws for motor bracket	2855	2,18
Dynashake foot assembly + ring + seal	2856	123,35
Shaft and bearing (Dynashake)	2857	33,44
Variator knob	2858	12,36
Driving shaft joint	2859	2,76
Coupling hub	2860	11,74
Strain relief 115 V	2861.1	5,69
Handle cap protectors	45710	3,33



IMPORTANT : Each spare part order must include the type and the number of the product which appears on the identification plate.