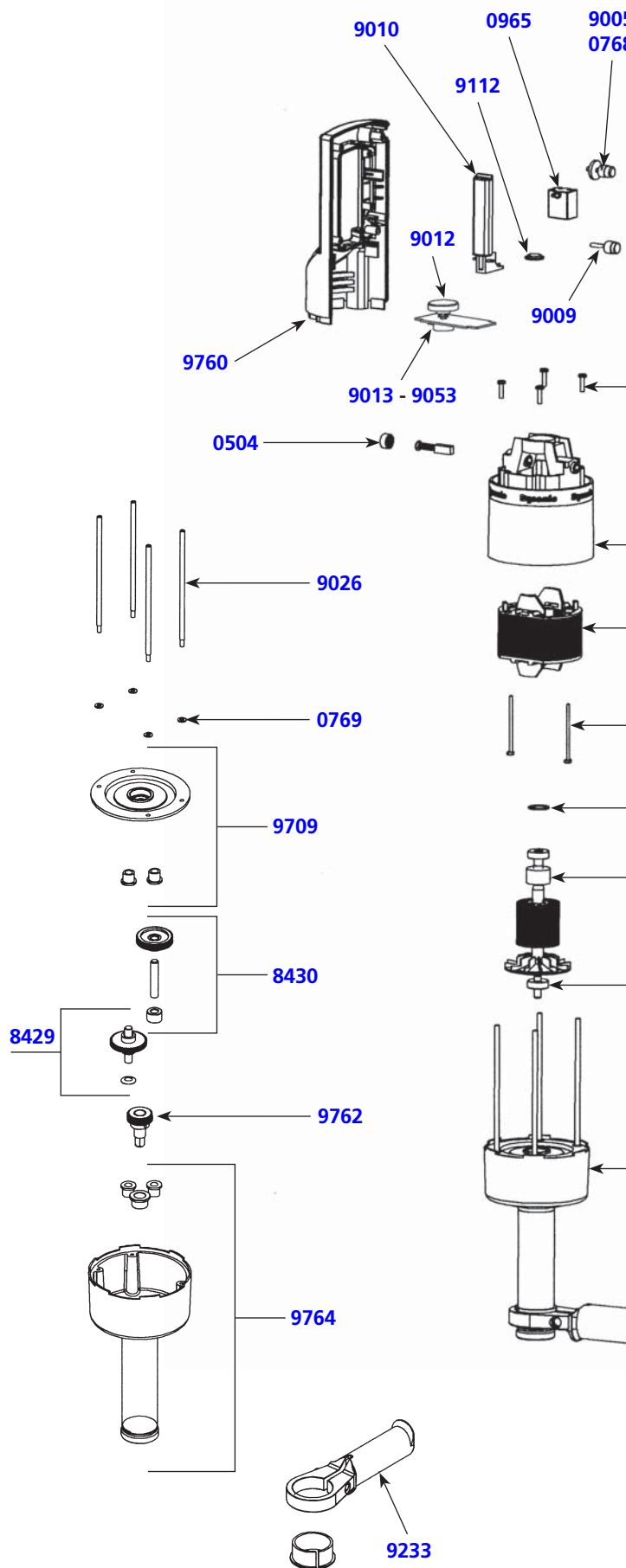


MOTOR BLOCK PP 97 PLUS

Parts list	Code	List \$ Price
Motor brushes	0504	15,31
Ball bearing	0601	15,31
Rubber washer	0726	2,15
Safety button return spring	0768	4,23
Strain relief 230 V	0950	2,68
Strain relief 115 V	0950.1	2,68
Switch	0965	40,65
Capacitor (115 V)	0972	15,16
Capacitor + filter	0972.1	17,63
Dynamic label	1027	13,35
Identification plate 230 V	109913	5,76
Identification plate 115 V	109914	5,76
Rotor 230 V	7908.31	244,01
Rotor 115 V	7908.32	244,01
Fan	7933	9,75
Spacer screws	8317	4,96
Upper half handle	9002	59,90
Security cap	9005	3,24
Handle cap	9009	3,24
Control lever	9010	14,06
Variable speed knob	9012	4,35
Variable speed control board 230 V	9013	103,01
Power cord 230 V	9014	0,71
Power cord 115 V	9015	81,11
Handle screw	9016	0,71
Top housing	9023	81,11
Stator 230 V	9038	216,90
Stator screws 230 V (2)	9043	4,04
Variable speed control board 115 V	9053	216,90
Stator 115 V	9112	10,19
Carbon brush wires (230 V)	9143	103,01
Variator cap	9708	2,19
Carbon brush wires 115 V (2)	9708.1	10,19
Lower half handle 230 V (with label)	9760	61,54
Lower half handle 115 V (with label)	9760.1	61,54
Lower motor housing	9761	539,68
Complete handle w/power cord 230 V	9765	173,52
Complete handle w/power cord 115 V	9765.1	173,52

Equipped lower carter PP97 plus

Parts list	Code	List \$ Price
M4 Washer	0769	1,60
Double gear with washer	8429	129,44
Middle gear axle	8430	135,51
Spacer rods	9026	17,26
Handle support	9233	87,00
Plate w/ 2 seals	9709	34,22
Exit shaft w/gear	9762	132,10
Aluminium carter, foot and seals	9764	177,11

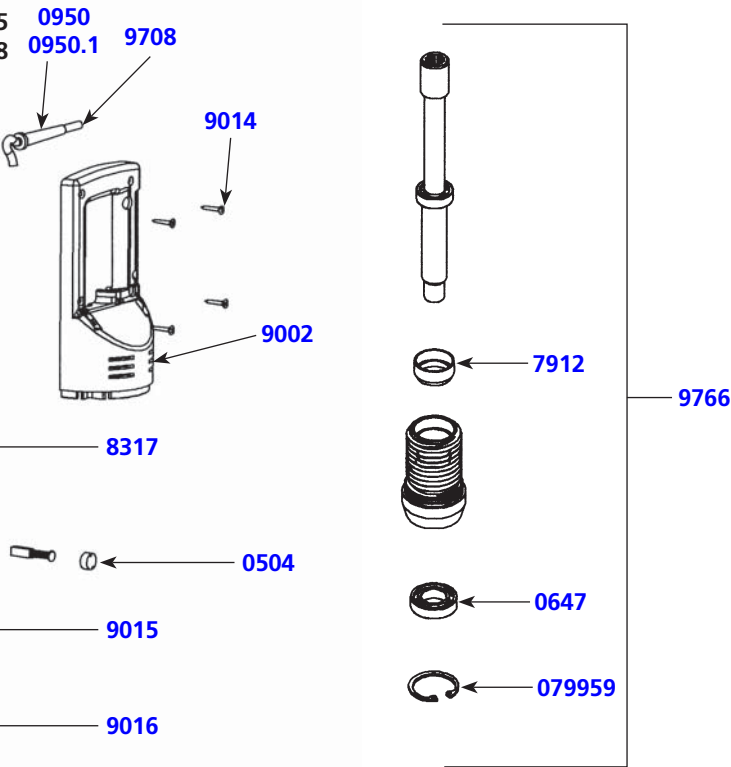


Whip tool for PP97 plus - FM97

Parts list

Code List \$ Price

D15 Bearing	0647	21,78
Rubber ring	079959	2,17
Ball bearing	7912	4,04
Mono whisk L : 300	9230a	510,90
Mono whisk L : 400	9230b	524,98
Mono whisk L : 120	9230c	487,63
Equipped male casing (shaft, bearing seal, ball bearing, rubber ring)	9766	173,52



AP 97 for Ricer tool

Parts list

Code List \$ Price

Waterproof seal	0609	17,88
Toric seal	0641	3,17
Rubber washing	0830	15,16
Fan	0835	133,95
Friction washer	0836	15,52
Ricer grid	0842	187,53
Bearing seal	7912	4,04
Antifriction seal	8422	18,13
Lower bolt	8423	34,48
Equipped male casing, bearing seal, tube and complete lever assembly	9240	207,24
Exit shaft	9241	229,96

