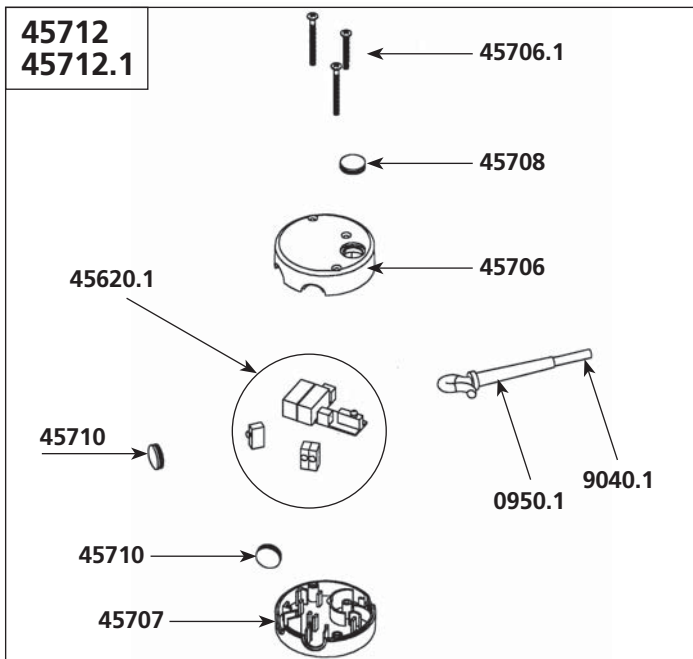
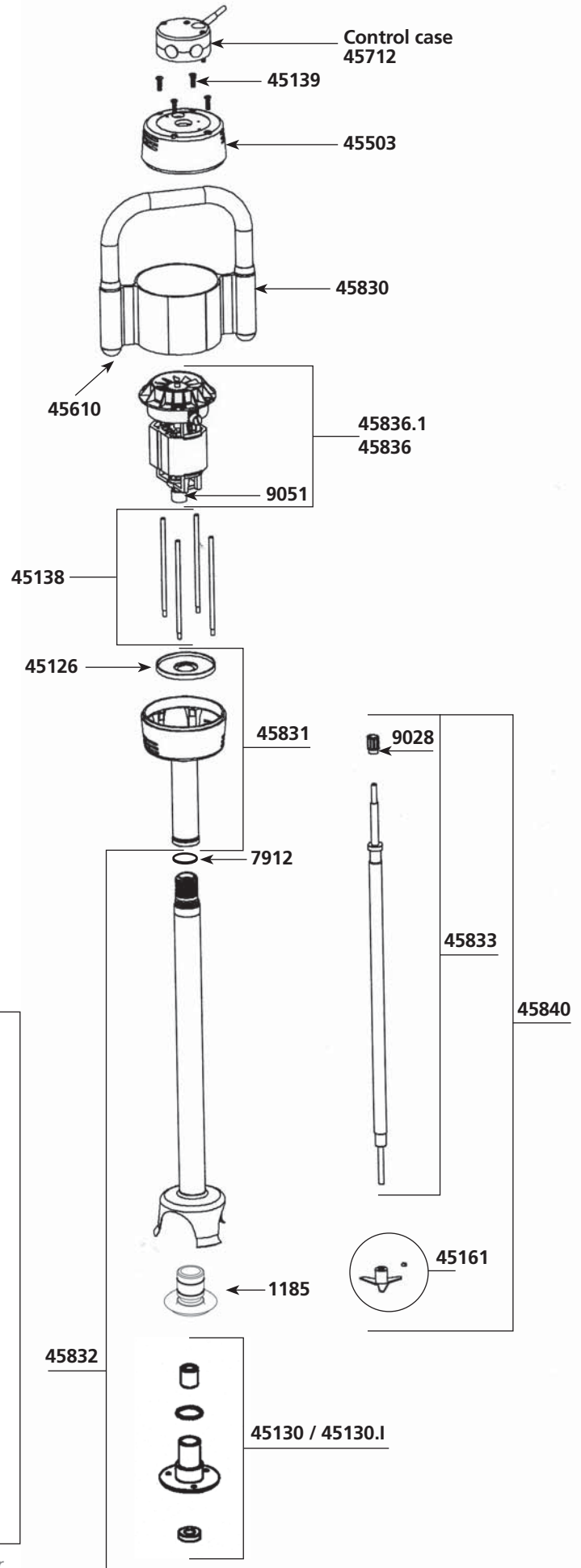
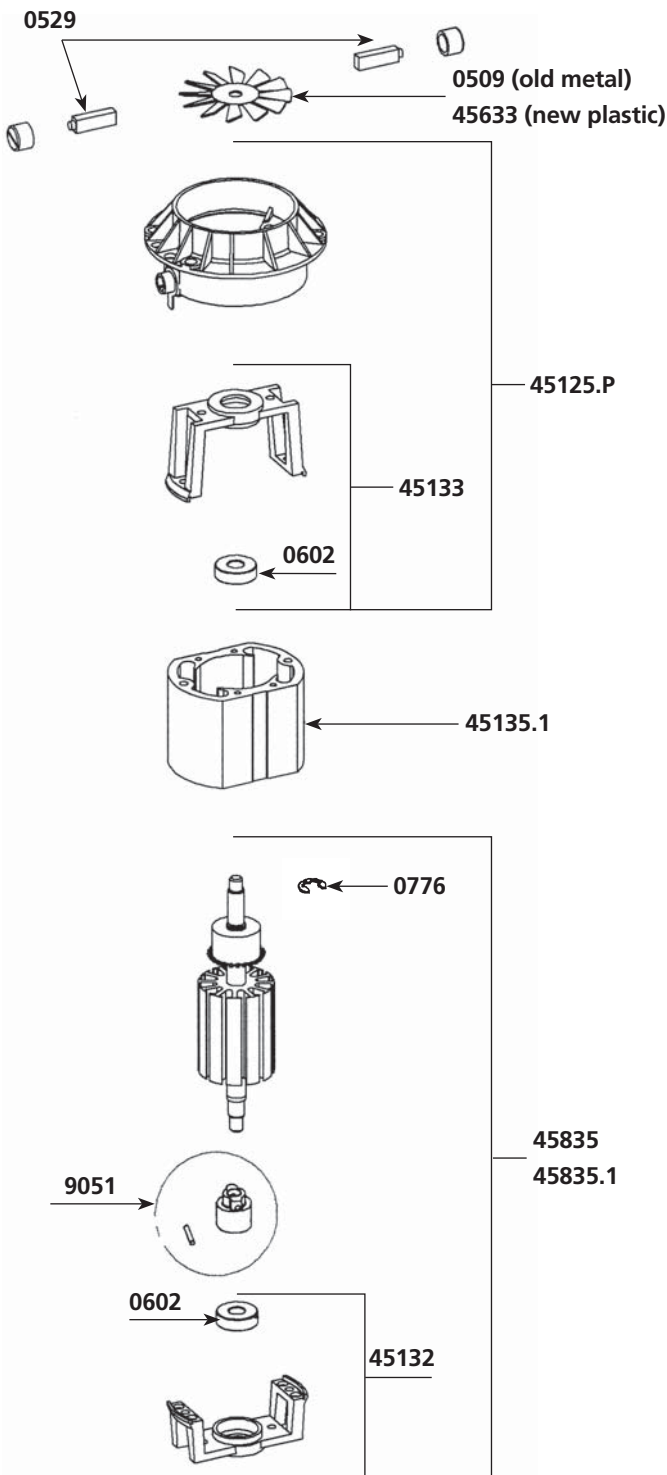


Parts list	Code	List \$ Price
Aluminium Fan	0509	10,43
Motor brushes (pair)	0529	17,19
Ball bearing	0601	15,31
Motor ball bearing	0602	17,77
Self-lubricating ring	0603	3,51
Waterproof seal	0607	19,98
O. ring	0610	2,14
Toric seal	0641	3,17
Rubber washer	0760	3,41
Clips	0776	1,30
Washer & bolt for fan	0777	1,30
Wall bracket	0862	22,41
Strain relief 230 V	0950	2,68
Strain relief 115 V	0950.1	2,68
ID label 230 V	1073	15,06
ID label 115 V	1074	15,06
Lower bearing assembly support	1185	24,65
Fan housing Alu	45125	150,13
Fan housing Plastic	45125.P	150,13
Double isolation plate	45126	17,30
Lower bearing assembly	45130	38,81
Complete stainless steel lower bearing	45130.I	72,01
Lower motor casing	45132	78,90
Upper motor casing	45133	78,90
Stator 230 V	45135	412,54
Stator 115 V	45135.1	412,54
Stator screws(2)	45137	2,98
Spacer rods (4)	45138	17,90
Spacer screws (4)	45139	3,11
Cutter blade w/screw	45161	44,68
Squeezing washer (4)	45230	6,61
Top housing	45503	239,05
Handle cap (2)	45610	6,50
Circuit board 230 V	45620	140,98
Plastic fan	45633	19,20



IMPORTANT : Each spare part order must include the type and the number of the product which appears on the identification plate.



Parts list

Code List \$ Price

	Code	List \$	Price
Circuit board 115 V	45620.1	140,98	
Top housing (orange plastic piece)	45706	21,40	
Screws control case set	45706.1	2,25	
Lower housing (orange plastic piece)	45707	19,67	
Lock button rubber cap (unit)	45708	3,49	
Handle cap protector (unit)	45710	3,32	
Orange housing w/ screws	45711	38,00	
Complete control casing 230V	45712	224,54	
Complete control casing 115V	45712.1	224,54	
Sleeve & complete handle & label & cap	45830	137,00	
Lower housing (aluminum)	45831	368,68	
Foot assembly w/ bearing assembly	45832	424,01	
Shaft, ball bearing + coupler	45833	168,11	
Kit w/ shaft, lower bearing, coupler, cutter	45834	272,05	
Rotor 230 V	45835	412,54	
Rotor 115 V	45835.1	412,54	
Motor 230 V (complete)	45836	641,12	
Motor 115 V (complete)	45836.1	641,12	
Complete foot assembly	45840	638,22	
Ball bearing sleeve	7912	4,04	
Power cord 230 V	9011.1	35,26	
Coupler for shaft	9028	10,19	
Power cord 115 V	9040.1	38,50	
Coupling casing + pin	9051	16,18	
Power cord (Australian)	9066.1	72,69	
Power cord (UK)	9067.1	67,80	
Lower bearing screws (3)	9902	1,33	
Stainless steel lower bearing screws (3)	9902.1	1,48	

