

ARMADI 1300 LT della gamma **BENEFIT o AU**

STANDARD BENEFIT 1300 L

Code	AV	Type and model	Ref.	Page	Brand
113228	01	AZP2203 -1300 0 +10 °C Positive	a	2 3 4 5	Zanussi
113229	01	AZP220360 -1300 0 +10 °C Positive 60 HZ	b	2 3 4 5	Zanussi
728606	02	KLP1300L - 1300 0 +10 °C Positive	c	2 3 4 5	Alpeninox
728608	03	KLP1300LR - 1300 0 +10 °C Positive	d	2 3 4 5	Whirlpool
113234	01	AZP13430 - 1300 0 +10 °C Positive 430	e	2 3 4 5	Zanussi
728607	02	KEP1300R - 1300 0 +10 °C Positive 430	f	2 3 4 5	Alpeninox
113231	02	ALN2203 - 1300 -2 +10 °C Positive	g	2 3 4 5	Zanussi
728605	02	KLN1300R - 1300 -2 +10 °C Positive	h	2 3 4 5	Alpeninox
726321	10	RS13RX2F - 1300 -2 +10 °C Positive	i	2 3 4 5	Electrolux
113236	03	AZF2203 - 1300 -15 -22 °C BT negative	l	2 3 4 5	Zanussi
726323	11	RS13FX2F - 1300 -15 -22 °C BT negative	m	2 3 4 5	Electrolux
728609	03	KLP1300F - 1300 -15 -22 °C BT negative	n	2 3 4 5	Alpeninox
728611	04	ILF110N - 1300 -15 -22 °C BT negative	o	2 3 4 5	Whirlpool
113237	02	AZF13430 - 1300 -15 -22 °C BT negative 430	p	2 3 4 5	Zanussi
728610	03	KEP1300F - 1300 -15 -22 °C BT negative 430	q	2 3 4 5	Alpeninox
726459	02	RS13X2F - 1300 0 +10 °C Positive	r	2 3 4 5	To brand
726461	02	RS13PX2F6 - 1300 0 +10 °C Positive 60 HZ	s	2 3 4 5	To brand
726462	02	RS13P42F - 1300 0 +10 °C Positive 430	t	2 3 4 5	To brand
728059	01	KLP1300R - 1300 0 +10 °C Positive	u	2 3 4 5	To brand
728060	01	KLP1300F - 1300 -15 -22 °C BT negative	v	2 3 4 5	To brand
726464	02	RS13FX42F - 1300 -15 -22 °C BT negative 430	z	2 3 4 5	To brand
728063	01	RS13PX2FD 1300 0 +10 °C Positive	x	2 3 4 5	To brand
726467	00	RS13R32F-2M -2/10 STD.1M A/304 + LUCE	y	2 3 4 5	To brand
726468	00	SB1300X2F 1300 -15 -22 °C BT negative	w	2 3 4 5	To brand
726475	00	RS13PW2F- 1300 0 +10 °C Positive white	j	2 3 4 5	To brand
726476	00	RS13FW2F 1300 -15 -22 °C BT negative White	k	2 3 4 5	To brand
726688	00	RS13FX2F6 1300 -15 -22 °C BT negative	a1	2 3 4 5	To brand
726967	00	RS13RX2FG 2-DR DIG.REF+WHEELS 1300L -2+10°A304-UK	A2	2 3 4 5	To brand
726968	00	RS13FX2FG 2-DR DIG.FREEZ+WHLs 1300L -15-22°A304-UK	A3	2 3 4 5	To brand

note: Su codici 726323-726464-728060-728611 da ser. number 445000.. cambia compressore ,filtro deidratore e tola valvola solenoide.

Pnc 726323-726464-728060-728611 from to ser. number 445000.. change compressor,dehydrator filter and remove the solenoid valve.

Update SPC with code 726967 in date 09-02-2007

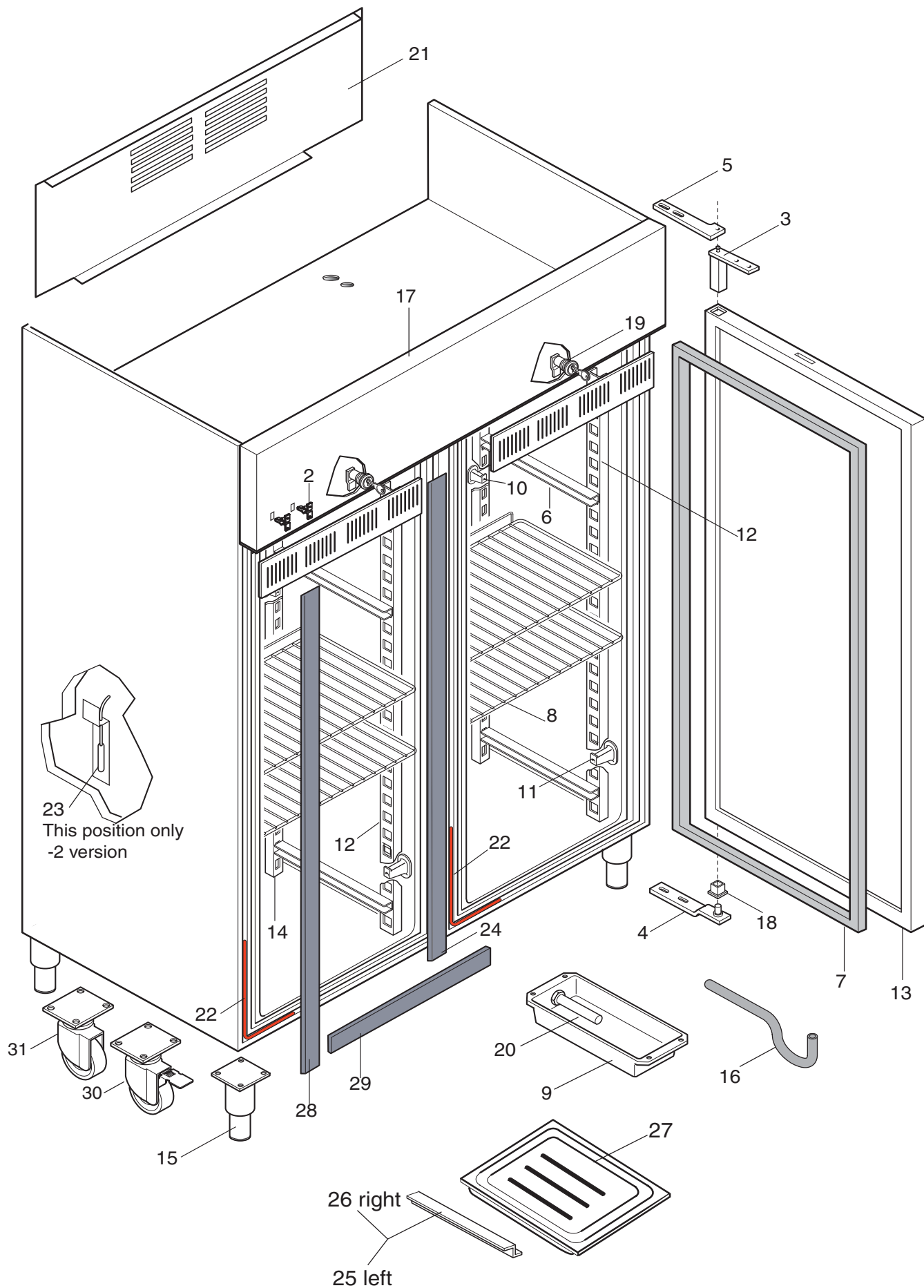
Pag. Indice

- 2 Armadio
- 3 Lista ricambi
- 4 Gruppo refrigerante
- 5 Lista ricambi

Index

- Cabinet
- Spare parts list
- Cooling unit
- Spare parts list

Marchio / Brand: Z-A-E
Paese / Country: Tutti / All



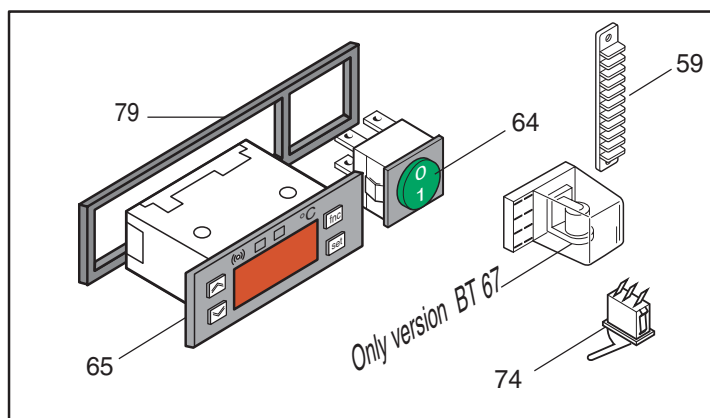
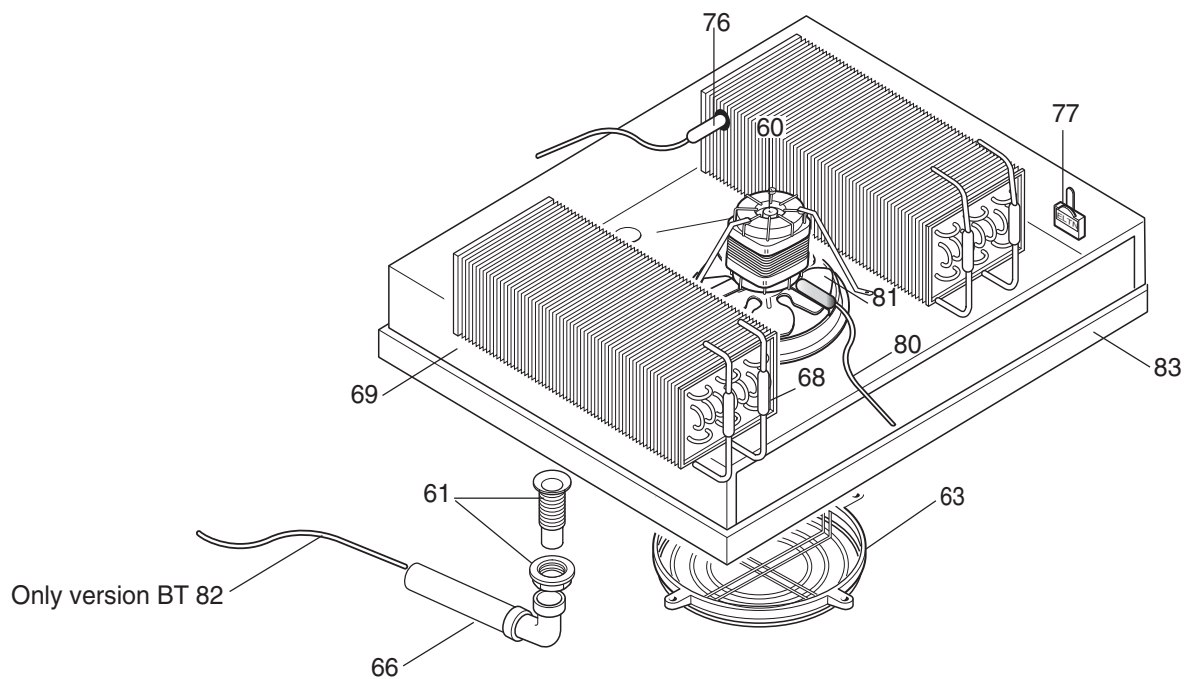
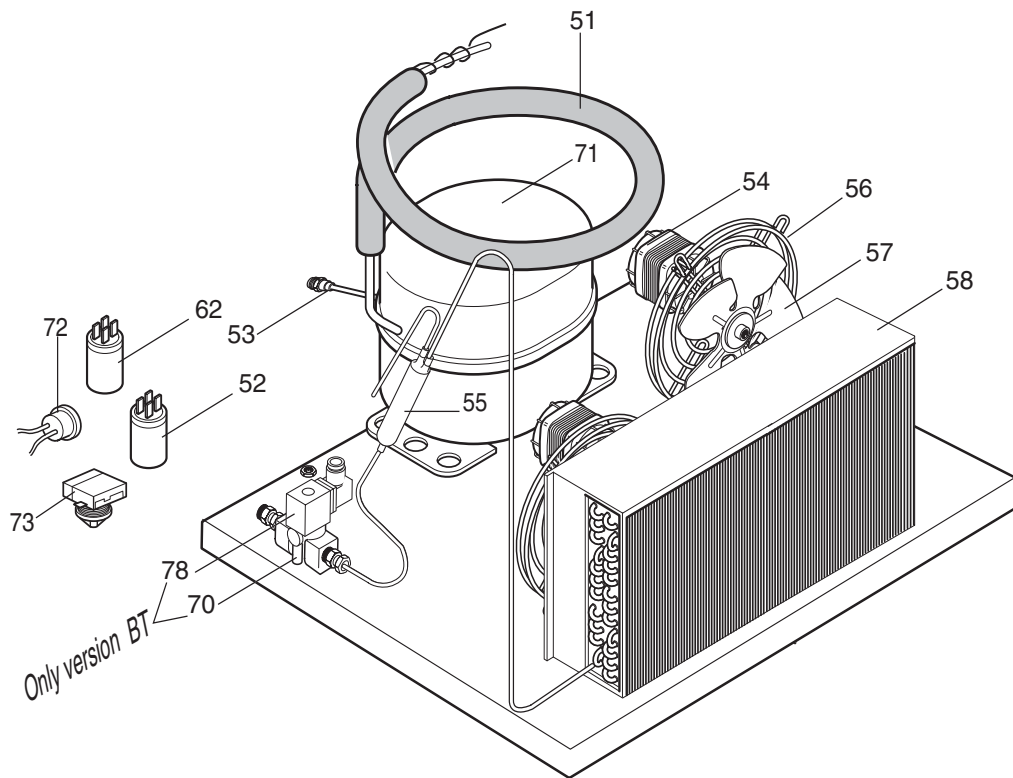
5-01-1-02

Standard Benefit 1300 It

PNC	REF	PNC	REF	PNC	REF	PNC	REF	PNC	REF
113228	a	728605	h	728610	q	728063	x	726968	a3
113129	b	726321	i	726459	r	726467	y		
728606	c	113236	l	726461	s	726468	w		
728608	d	726323	m	726462	t	726475	j		
113234	e	728609	n	728059	u	726476	k		
728607	f	728611	o	728060	v	726688	a1		
113231	g	113237	p	726464	z	726967	a2		

Pos	Code	Descrizione	Description	Ref. / Notes
2	053342	Molla arresto marchio	Spring for brand	
3	082219	Cerniera per porta	Hinge for door	
4	082256	Staffa inferiore porta	Lower bracket	
5	082257	Staffa superiore porta	Upper bracket	
6	082263	Guida per griglia dx-sx	Runner for shelf left -right	a,b,c,d,g,h,i,l,m,n,o,r,s,u,v,x,y,w,a1,a2,a3
6	082206	Guida per griglia dx-sx 430	Runner for shelf left -right 430	e,f,p,q,t,z,j
7	089735	Guarnizione per porta	Gasket for door	
8	083635	Griglia	Shelf	
9	083813	Bacinella raccogli condensa	Basin	a,b,c,d,g,h,i,l,m,n,o,r,s,u,v,x,y,w,a1,a2,a3
10	083838	Gancio di supp.cremagliera	Hook for rack	
11	083837	Gancio di supp.cremagliera	Hook for rack	
12	087646	Cremagliera anteriore	Front rack	a,b,c,d,g,h,i,l,m,n,o,r,s,u,v,x,y,w,a1,a2,a3
12	087773	Cremagliera anteriore 430	Front rack 430	e,f,p,q,t,z,j
13	089740	Porta	Door	a,b,c,d,g,h,i,l,m,n,o,r,s,u,v,y,w,a1,a2,a3
13	089736	Porta	Door	e,f,p,q,t,z
13	099216	Porta	Door	x
13	*	Porta	Door	j art.879799600
14	087648	Cremagliera posteriore	Back rack	a,b,c,d,g,h,i,l,m,n,o,r,s,u,v,x,y,w,a1,a2,a3
14	087774	Cremagliera posteriore 430	Back rack 430	e,f,p,q,t,z,j
15	089140	Piedino	Foot	
15	0A9562	Piedino	Foot	j
16	085036	Sifone scarico acqua	Discharge pipe	
17	089930	Cruscotto completo	Panel complete	a,b,r,s,x
17	089931	Cruscotto completo	Panel complete	c,d,u
17	089932	Cruscotto completo 430	Panel complete 430	e,t
17	089909	Cruscotto completo 430	Panel complete 430	f
17	089934	Cruscotto completo	Panel complete	g
17	089935	Cruscotto completo	Panel complete	h
17	089936	Cruscotto completo	Panel complete	i,a2
17	089937	Cruscotto completo	Panel complete	l
17	089938	Cruscotto completo	Panel complete	m,a1,a3
17	089939	Cruscotto completo	Panel complete	n,o,v
17	089940	Cruscotto completo	Panel complete	p,z
17	089941	Cruscotto completo	Panel complete	q
17	099584	Cruscotto completo	Panel complete	y.
17	099585	Cruscotto completo	Panel complete	w.
17	*	Cruscotto completo	Panel complete	j art. 899769400
17	*	Cruscotto completo	Panel complete	k art. 899769500
18	0A8856	Boccola per porta	Bush for door	
19	0A8053	Serratura	Lock	
20	083814	Resistenza bacinella "ptc"	Heating element "ptc"	a,b,c,d,g,h,i,l,m,n,o,r,s,u,v,x,y,w,a1,a3
21	089942	Chiusura posteriore	Back panel	
22	089898	Cavo riscaldante	Heating cable	
22	089912	Cavo riscaldante	Heating cable	l,m,n,o,v,w,j,a1,a3
23	088405	Sonda Cella	Cell probe	g,h,i,y,a2
24	089943	Cornice centrale	Midle frame	
25	082534	Guida dx per bacinella	Right guide for basin	e,f,p,q,t,z,j
26	082533	Guida sx per bacinella	Left guide for basin	e,f,p,q,t,z,j
27	080803	Bacinella raccolta condensa	basin	e,f,p,q,t,z,j
28	089901	Cornice verticale	Vertical frame	
29	089944	Cornice orrizzontale	Horizontal frame	
30	087110	Ruota con freno derby z540g5125	Whell with brake	a2
31	087111	Ruota derby z140g5125	Whell	a2
*	089945	Adesivo serigrafato "Zanussi"	Sticker for panel "Zanussi"	a,b,e,g,l,p
*	089946	Adesivo serigrafato "Alpeninox"	Sticker for panel "Alpeninox"	c,d,f,h,n,o,q

* Componenti disponibili a richiesta / Component available upon request



5-01-1-0

Standard Benefit 1300 lt

PNC	REF	PNC	REF	PNC	REF	PNC	REF	PNC	REF
113228	a	728605	h	728610	q	728063	x	726968	a3
113129	b	726321	i	726459	r	726467	y		
728606	c	113236	l	726461	s	726468	w		
728608	d	726323	m	726462	t	726475	j		
113234	e	728609	n	728059	u	726476	k		
728607	f	728611	o	728060	v	726688	a1		
113231	g	113237	p	726464	z	726967	a2		

Pos	Code	Descrizione	Description	Ref. / Notes
51	087652	Ass. scambiatore	Heat exchanger	a,b,c,d,e,f,g,h,i,r ,s,t,u,x,y,j,a2
51	087783	Ass. scambiatore	Heat exchanger	l,m,n,o,p,q,v,z,k,a1,a3
52	0A8764	Condensatore di spunto	Starter capacitor	a,c,d,e,f,g,h,i,r,t,u,x,y,j,a2
52	083166	Condensatore di spunto	Starter capacitor	b,s
52	087385	Condensatore di spunto	Starter capacitor	l,m,n,o,p,q,v,z,w,k,a3
52	083449	Condensatore di spunto	Starter capacitor	a1
53	0A8171	Valvola di carica	Discharge valve	a,b,c,d,e,f,g,h,i,r,s,t,u,x,y,j,a2
53	0A9459	Valvola di carica	Discharge valve	l,m,n,o,p,q,v,z,w,k,a1,a3
54	0A9350	Ventilatore condensatore	Motor ventilator for condenser	
55	084078	Filtro deidratatore	Filter	a,b,c,d,e,f,g,h,i,r ,s,t,u,x,y,j,k,a2
55	0A9371	Filtro deidratatore	Filter	l,m,n,o,p,q,v,z,w,a1,a3 until sr. n° 445000..
56	089755	Protezione ventola	Fan protection	
57	082230	Ventola per condensatore	Fan for condenser	a,c,d,e,f,g,h,i,l,m,n,o,p,q,r,t,u,v,z,x,y,w,j,k,a2 ,a3
"	"	"	"	b,s,a1
57	085532	Ventola per condensatore	Fan for condenser	
58	085632	Condensatore	Condenser	a,b,c,d,e,f,g,h,i,r,s,t,u,x,y,j,a2
58	0A8027	Condensatore	Condenser	l,m,n,o,p,q,v,z,w,k,a1,a3
59	087067	Morsettiera	Clamp	
60	088374	Ventilatore cella	Motor ventilator for evaporator	
61	089756	Piletta con dado	Pipe whit nut	
62	084323	Condensatore di marcia	Run Capacitor	a,c,d,e,f,g,h,i,l,m,n,o,p,q,r,t,u,v ,z,x,y,w,j,k,a1 ,a2,a3
"	"	"	"	
63	088387	Protezione ventola	Fan protection for evaporator	
64	089175	Interruttore luminoso	Switch	
65	089903	Termoregolatore	Thermoregulator	a,b,c,d,e,f,r,s,t,u,x,j
65	089904	Termoregolatore	Thermoregulator	g,h,i,y,a2
65	089913	Termoregolatore	Thermoregulator	l,m,n,o,p,q,v,z,w,k,a1,a3
66	088463	Prolunga di scarico	Pipe for discharge	
67	0A9596	Rele`	Relay	l,m,n,o,p,q,v,z,w,k,a1,a3
68	088388	Resistenza	Eating helement	g,h,i,y,a2
68	088389	Resistenza	Eating helement	l,m,n,o,p,q,v,z,w,k,a1,a3
69	088391	Evaporatore mic 80	Evaporator mic 80	a,b,c,d,e,f,g,h,i,r ,s,t,u,x,y,j,a2
69	088392	Evaporatore mic 100	Evaporator mic 100	l,m,n,o,p,q,v,z,w,k,a1,a3
70	0A9377	Corpo valvola	Valve	l,m,n,o,p,q,v,z,w,k,a1,a3
71	083718	Compressore GL90TB 50 hz	Compressor GL90TB 50 hz	a,c,d,e,f,g,h,i,r,t,u,x,y,j,a2
71	089170	Compressore ML60TB 50 hz	Compressor ML60TB 50hz	b,s
71	099925	Compressore T21778 GK 60 hz	Compressor T21778 GK 60 hz	a1
71	087379	Compressore T2180GK 50hz	Compressor T2180GK 50hz	l,m,n,o,p,q,v,z,w,a3 until sr. n° 445000..
71	099529	Compressore T2180GJ 50 hz	Compressor T2180GJ 50 hz	l,m,n,o,p,q,v,z,w,k,a3 from sr. n° 445000..
72	081870	Protettore per compressore	Electric protection for compressor	a,c,d,e,f,g,h,i,r,t,u,x,y,j,a2
72	087215	Protettore per compressore	Electric protection for compressor	b,s
73	081756	Rele per compressore	Relay for compressor	a,c,d,e,f,g,h,i,r,t,u,x,y,j,a2
73	085724	Rele per compressore	Relay for compressor	b,s
73	083448	Rele per compressore	Relay for compressor	l,m,n,o,p,q,v,z,w,k,a3
74	087485	Micro porta	Switch for door	
76	099570	Sonda evaporatore	Evaporator probe	g,h,i,l,m,n,o,p,q,v,z,y,w ,k,a1,a2,a3
77	088396	Termostato di sicurezza	Safety thermostat	g,h,i,l,m,n,o,p,q,v,z,y,w ,k,a1,a2,a3
78	085847	Bobina parker	Coil	l,m,n,o,p,q,v,z,w,k,a1,a3
79	089905	Guarnizione termoregolatore	Thermoregulator gasket	
80	087654	Sonda Cella	Cell probe	a,b,c,d,e,f,l,m,n,o,p,q,r,s,t,u,v,z,x,w,j,k,a1,a3
81	088386	Ventola	Fan	
82	087779	Resistenza per piletta	Heating cable for pipe	l,m,n,o,p,q,v,z,w,k,a1,a3
*	*	Box elettrico per compressore	Eletric box for compressor	a1 alias code 1262171
83	099998	Bacinella/coperchio evaporatore	Cover/basin evaporator	

* Componenti disponibili a richiesta / Component available upon request