

Item
Model
ProjectName

Free-Standing

The new range of appliances developed for the vacuum packing of cooked and raw foods, can provide the highest quality and hygiene in line with every professional kitchen that requires the best conservation standards. The range is designed to satisfy the requirements of users at all levels from small/medium sized restaurants, caterings of 100 to 400 covers a day, speciality food manufacturers and large butchers.

Vacuum Packers

FEATURES

- Free-standing appliance.
- Digital control panel that allows the programming and storing of operating programs, guaranteeing optimized vacuum pressure and heat seal times for any type of product.
- 2 sealing bars.

- Microprocessor control guarantees that the appropriate percentage of negative pressure is reached by automatically calculating the vacuum pump operation time, shut-off time and heat seal time.
- Maximum reliability thanks to a warning light that indicates any malfunctioning in the vacuum packing process and stopping it before the products are heat sealed, thus allowing them to be reused.



DITO**Electrolux**

- Pressure chamber with rounded corners to guarantee high levels of hygiene and easy cleaning.
- Constructed in 304 AISI stainless steel with a domed, transparent plexiglass lid which is suitable for use with food products.

- All models can be equipped with a coupler to allow the vacuum packing process to take place in other appropriate containers or appliances and not in the chamber of the machine itself (available as optional accessory).
- All models comply with the standards required by the main international approval bodies and are CE marked.

Specifications

MODEL	CSV25C 600012	CSV40C 600013	CSV60C 603351
Pump - m3/h	20	40	60
External dimensions - mm			
width	550	770	860
depth	600	690	820
height	1000	1025	1060
Chamber dimensions - mm			
width	466	663	720
depth	456	518	670
height	218	241	252
Electrical power - kW	1.1	1.5	2.5
Net weight - kg.	101	185	251
Sealing bar length - mm	450	500	650

Optional accessories

CODE	DESCRIPTION	CSV25C 600012	CSV40C 600013	CSV60C 603351
650008	ADAPTER FOR EXT.VACUUM PACK.-6/10/20M3/H	✓		
650010	INCL.FILLING TABLE-LIQUID PACKING-20M3/H	✓		
650011	INCL.FILLING TABLE-LIQUID PACKING-40M3/H		✓	

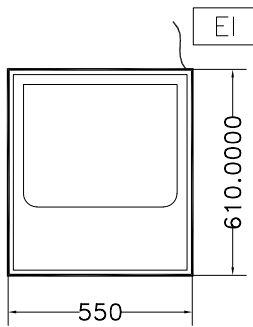
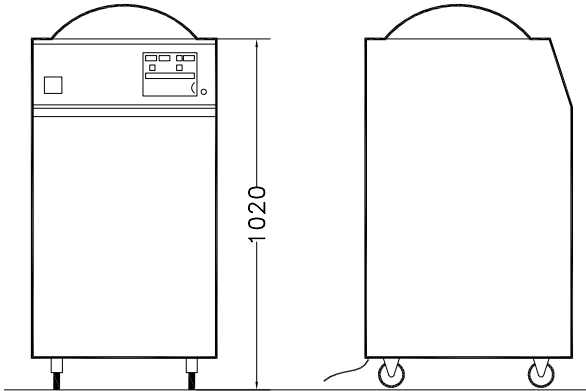


DITO

Electrolux

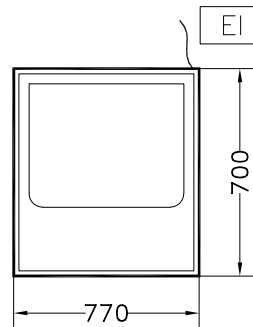
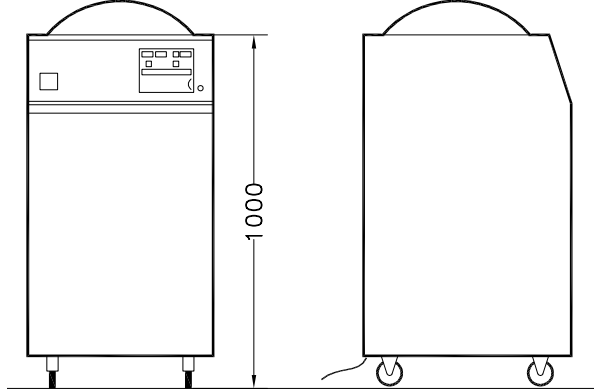
Installation drawings

600012



ITC-S3001

600013



ITC-S3001A

MODEL

**CSV25C
600012**

**CSV40C
600013**

**CSV60C
603351**

EI - Electrical connection

220 V, 1N, 50/60

380 V, 3, 50/60

380 V, 3, 50



Vacuum Packers

The manufacturer reserves the right to modify and make improvements to the products without giving prior warning. Dimensions, illustrations, technical data, weights, etc. are given as an indication only.



www.dito-electrolux.com

