

STRUTTURA SBALZO / PANNELLI E MINUTERIE CANTILEVER FRAME / PANELS AND SCREWS

PNC	DESCRIPTION	RIF
206211	WALL TYPE SUPPORT W/SERVICE DUCT 2000MM	
206212	WALL TYPE SUPPORT W/SERVICE DUCT 2400MM	
206213	WALL TYPE SUPPORT W/SERVICE DUCT 2800MM	
206214	WALL TYPE SUPPORT W/SERVICE DUCT 3200MM	
206215	WALL TYPE SUPPORT W/SERVICE DUCT 3600MM	
206216	CENTRAL SUPPORT W/SERVICE DUCT 2000MM	
206217	CENTRAL SUPPORT W/SERVICE DUCT 2400MM	
206218	CENTRAL SUPPORT W/SERVICE DUCT 2800MM	
206219	CENTRAL SUPPORT W/SERVICE DUCT 3200MM	
206220	CENTRAL SUPPORT W/SERVICE DUCT 3600MM	
206221	TWO END ELEMENTS FOR TOPS-WALL TYPE UNIT	
206222	TWO END ELEMENTS FOR TOPS-CENTRAL UNIT	
206223	TWO END ELEMENTS FOR SIDES-WALLTYPE UNIT	
206224	TWO END ELEMENTS FOR SIDES-CENTRAL UNIT	
206225	TWO SUPPORT BARS TOP UNITS-700 LINE	
206322	TWO SUPPORT BARS TOP UNITS-900 LINE	
206226	FLOOR FIXING FOOT FOR CANTILEVER	
206323	UNDERCOUNTER COVER PANEL 200MM-700 LINE	
206324	UNDERCOUNTER COVER PANEL 400MM-700 LINE	
206325	UNDERCOUNTER COVER PANEL 800MM-700 LINE	
206329	UNDERCOUNTER COVER PANEL 1200MM-700 LINE	
206230	UNDERCOUNTER COVER PANEL 200MM-900 LINE	
206231	UNDERCOUNTER COVER PANEL 400MM-900 LINE	
206332	UNDERCOUNTER COVER PANEL 800MM-900 LINE	
206336	UNDERCOUNTER COVER PANEL 1200MM-900 LINE	
206320	2 SIDE COVERING PANELS H=250-D=700-Z/OEM	
206321	2 SIDE COVERING PANELS H=250-D=900-Z/OEM	

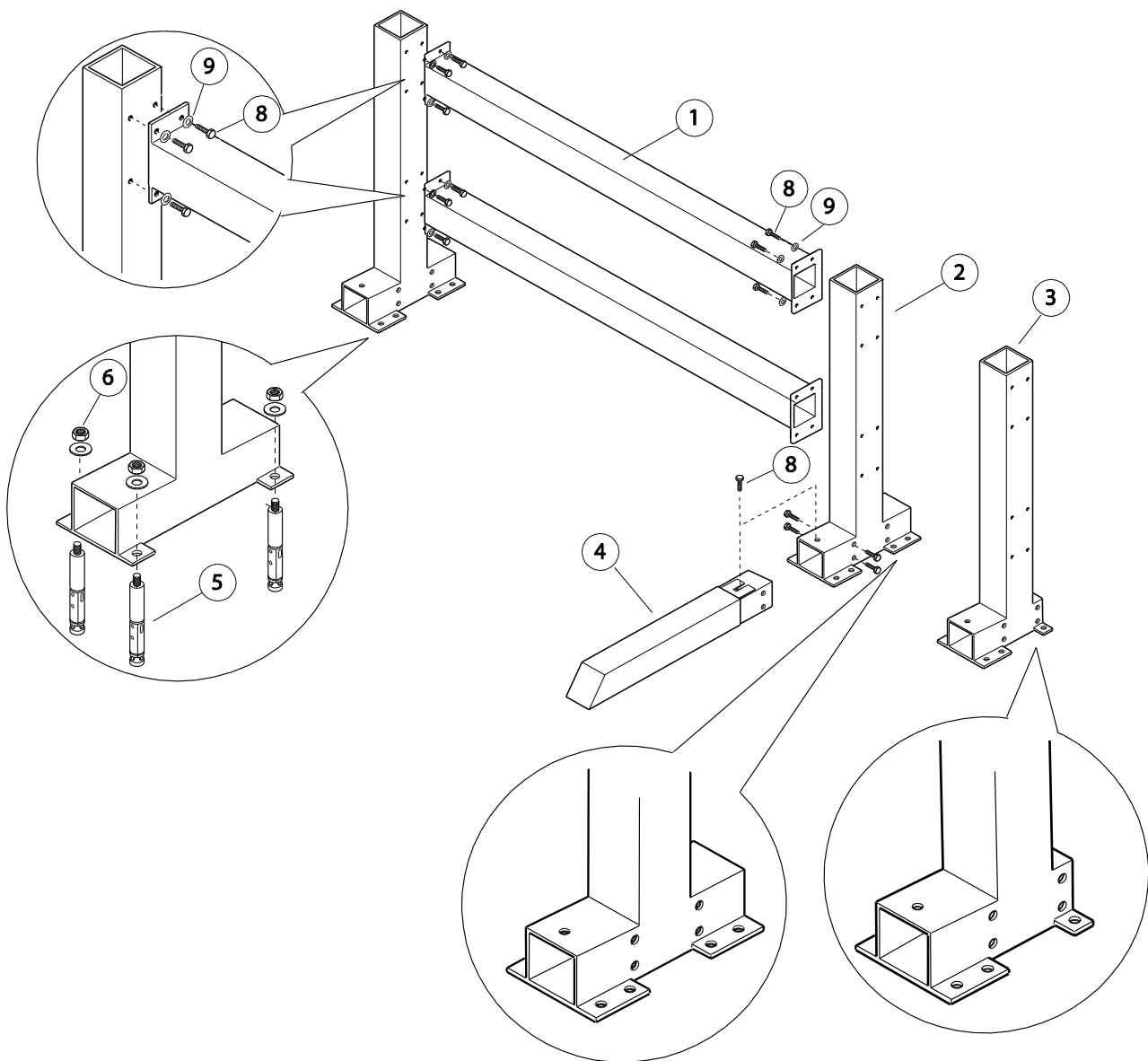
Index

General components / component

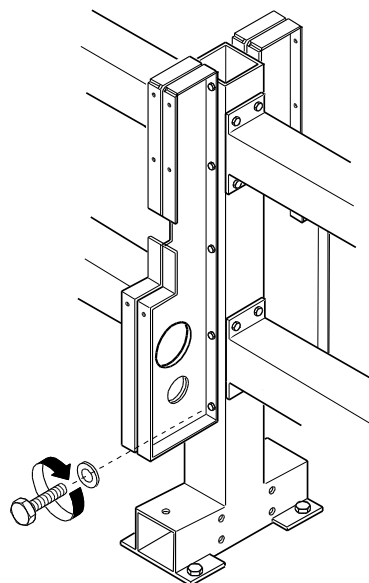
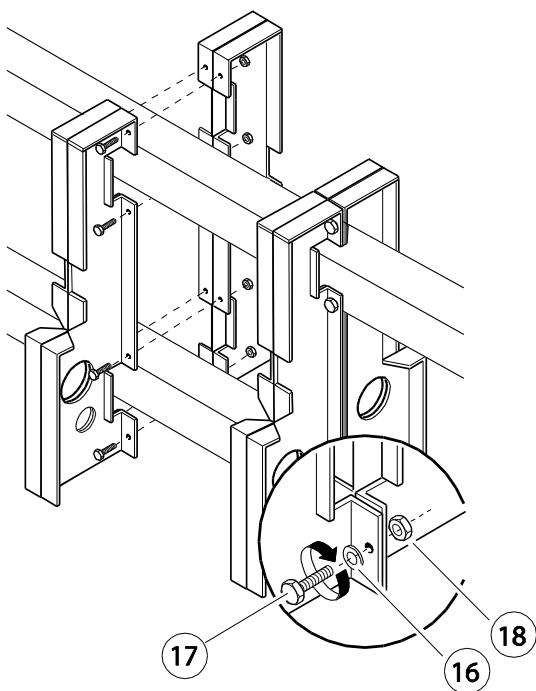
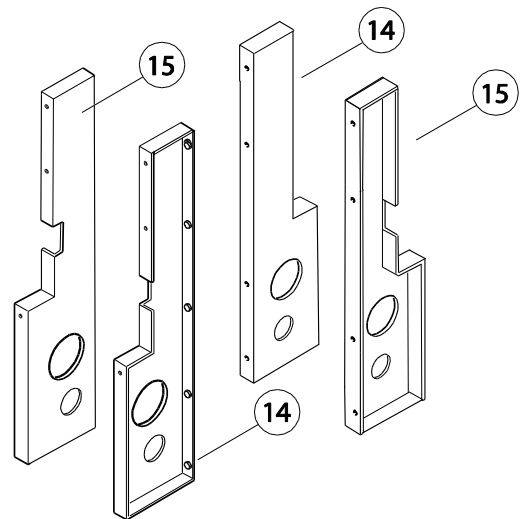
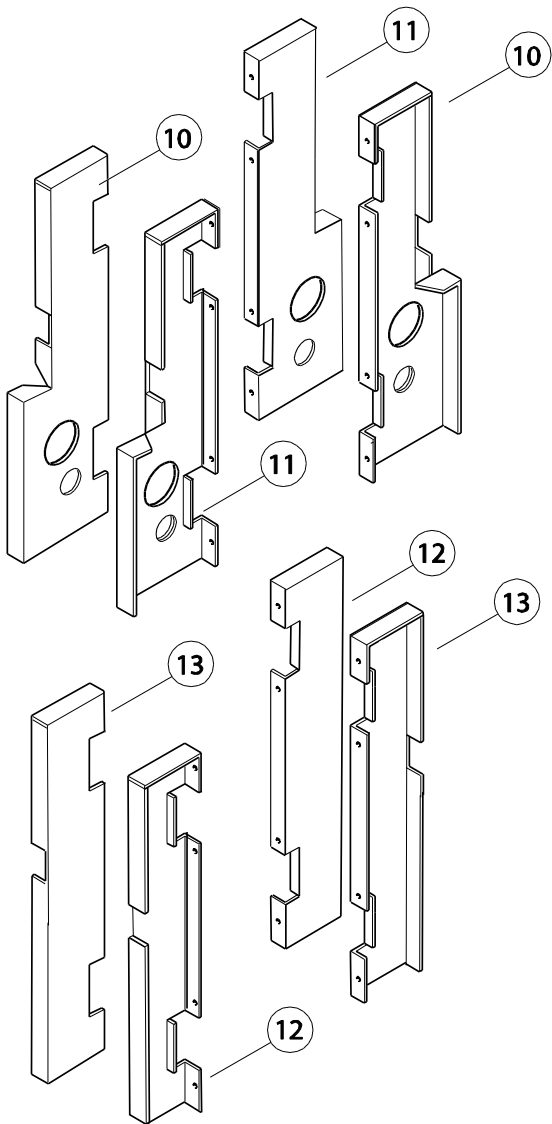
Page 2 / 11

Spare part list / liste ricambi
Page 2 / 11

**Bold = Last Change/ Grassetto= ultima
modifica**

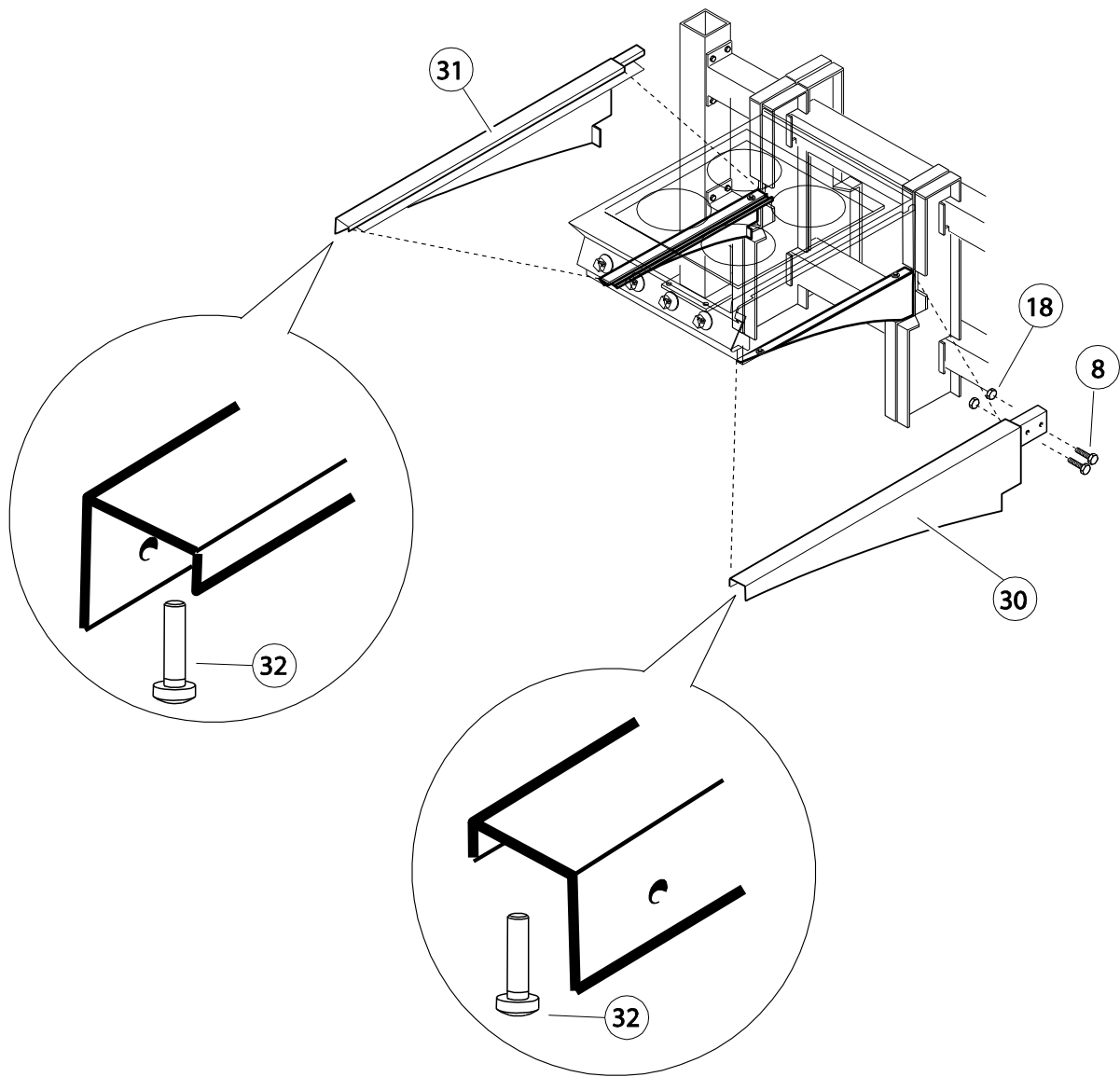


Pos	Code	Factory Code	Descrizione	Description	Ref. /Notes	
1		851809300	Traversa	Cross beam	2000mm	
		851808300	Traversa	Cross beam	2400mm	
		851809400	Traversa	Cross beam	2800mm	
		851807100	Traversa	Cross beam	3200mm	
		851809500	Traversa	Cross beam	3600mm	
2		851806301	Gamba per sbalzo doppio	Leg for double cantilever		
3		851807701	Gamba per sbalzo singolo (a muro)	Leg for single cantilever (wall)		
4	*	851807601	Tubolare piede (telaio)	Foot beam		
5	OTTW00	830870701	Tassello ad espansione (completo)	Expansion anchor bolt (complete)	Complete with washer and nut	
6	*	0218526104	Dado	Nut	M10	
8	*	217015254	Bullone	Bolt	8X25mm	
9	0C6789	206005194	Rondella piana	Flat washer	8,4x17mm	
		*				
From Ser. Nr. Up to Ser. Nr.			Ed. document pubblication . 2015 – 11 Ed. page revision 2015 - 11		Page 3	Doc. N° 59785UU00

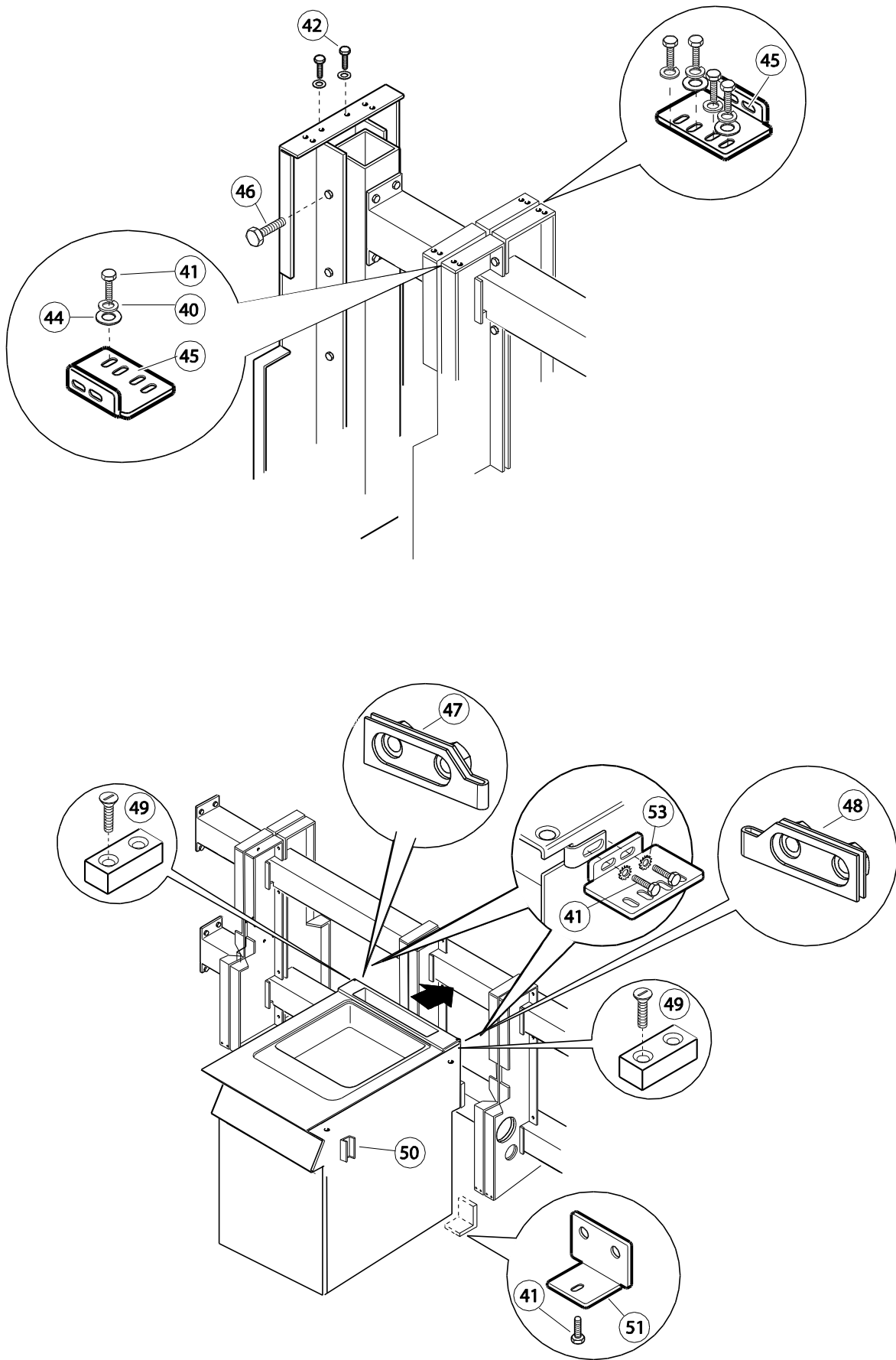


Pos	Code	Factory Code	Descrizione	Description	Ref. /Notes
10	*	530806802	Settore mobile SX	Left support	
11	*	530806702	Settore mobile DX	Right support	
10+11	0C9125	851806901	Settori mobile SX+DX	Left+Right support	
12	*	530808602	Settore singolo DX	Right support, single side	
13	*	530808702	Settore singolo SX	Left support, single side	
12+13	0C9406	851808101	Settori singoli DX+SX	Left + right support, single side	
14	*	530806201	Supporto centro,DX	Right support, center	
15	*	530806101	Supporto centro,SX	Left support, center	
14+15	*	851809100	Supporti centro, DX+SX	Left+Right supports, center	
16	0C6789	206005194	Rondella piana	Flat washer	8,4x17mm
17	*	217015254	Bullone	Bolt	M8X25 ZN/CR
18	027019	218525104	Dado	Nut	M8X 6,5mm

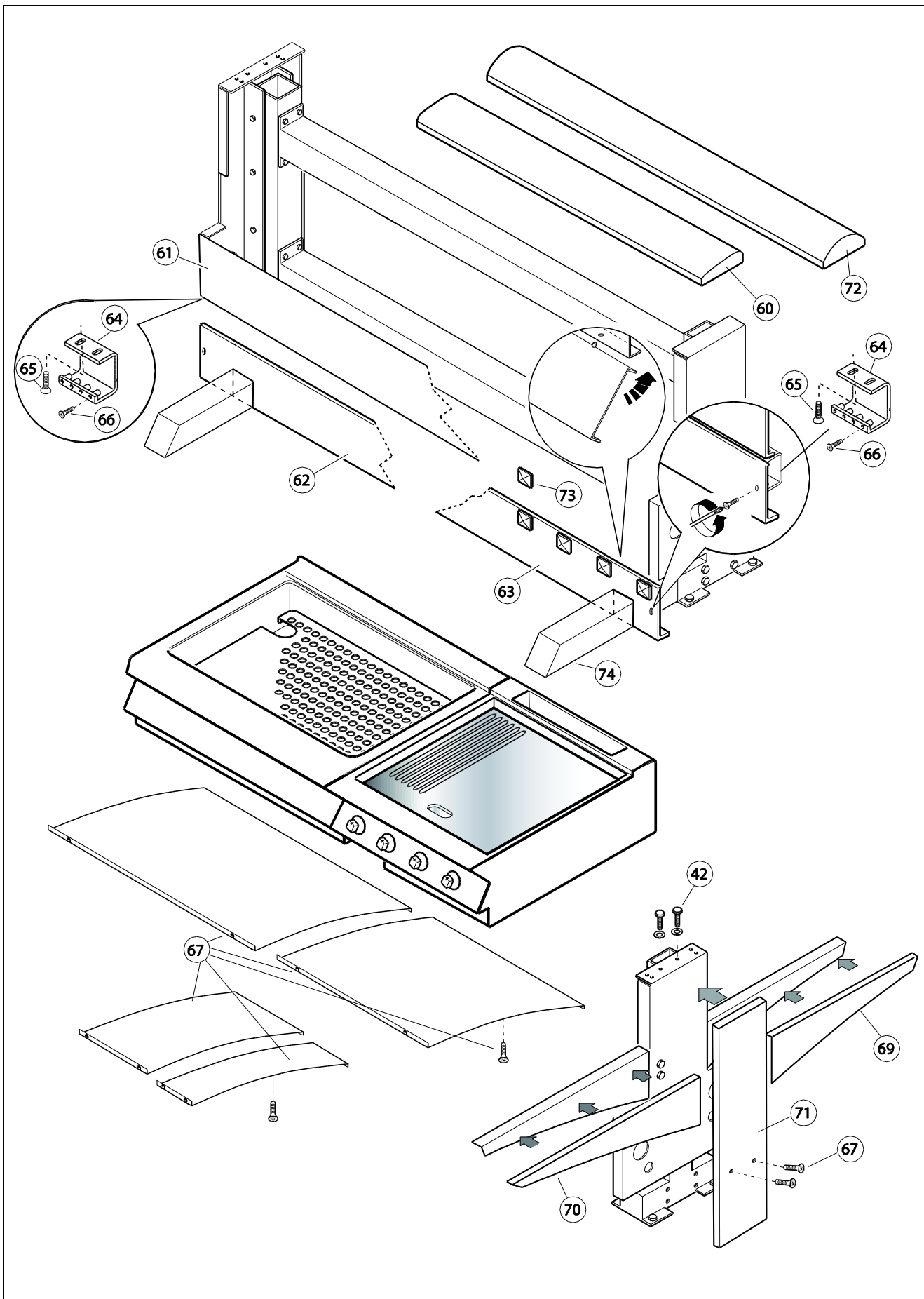
From Ser. Nr. Up to Ser. Nr.	Ed. document publication . 2015 – 11 Ed. page revision 2015 - 11	Page 5	Doc. N° 59785UU00
---------------------------------	---	--------	--------------------------



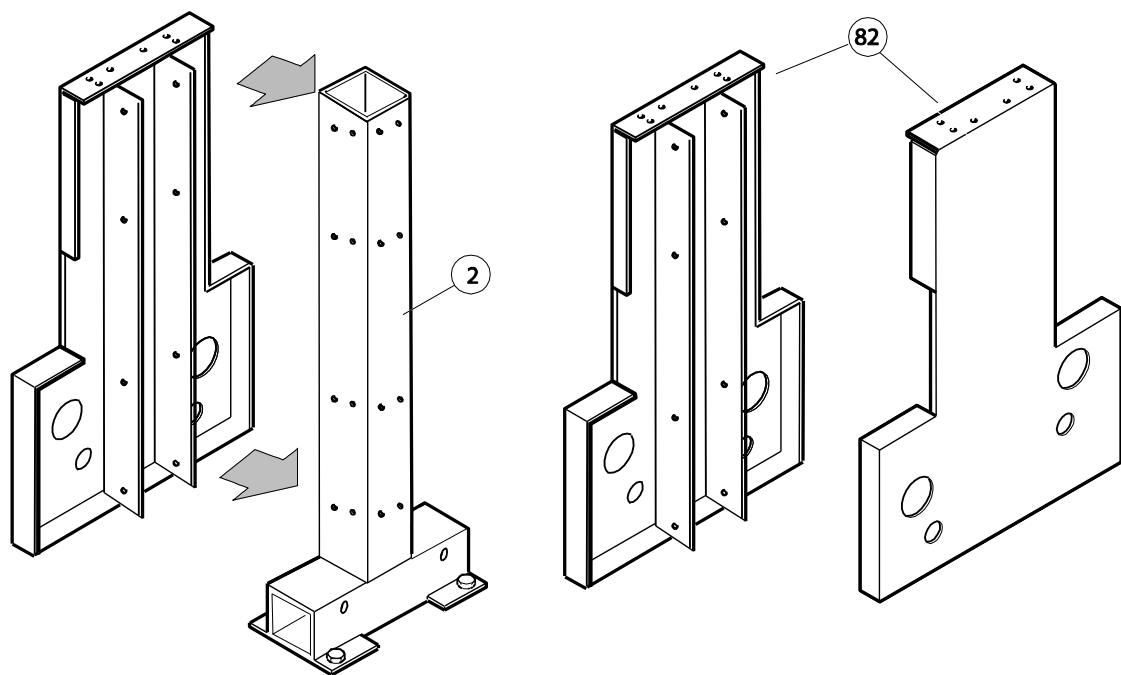
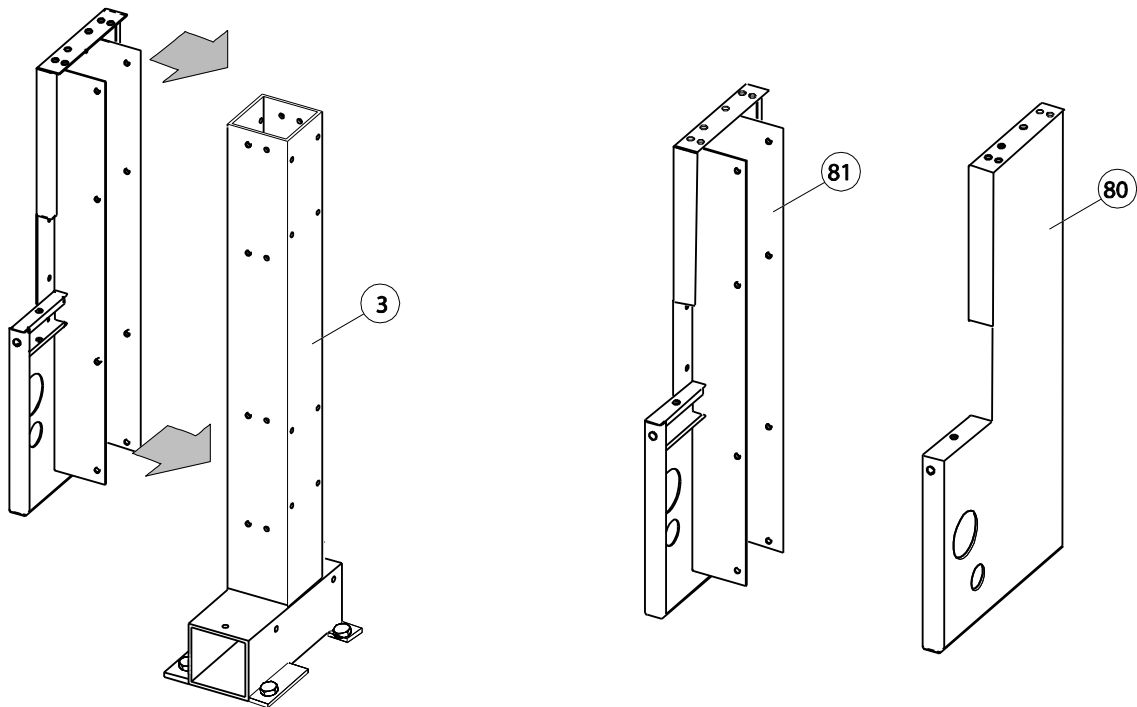
Pos	Code	Factory Code	Descrizione	Description	Ref. /Notes
30	0C8832 0C8833	851807401 851807501	Braccio supporto DX, top 700 Braccio supporto SX, top 700	Right support arm , tops 700 Left support arm , tops 700	700 range 700 range
31	*	83089GT00 83089GS00	Braccio supporto DX, top 900 Braccio supporto SX, top 900	Right support arm , tops 900 Left support arm , tops 900	900 range 900 range
32	*	217034304	Bullone a brugola M6	Allen key bolt	M6 x30mm



Pos	Spare Code	Factory Code	Descrizione	Description	Ref. /Notes	
40	*	206045694	Rosetta spaccata 8,4	Locking washer		
41	*	217014204	Bullone	Bolt	M6x20mm	
	*	217014154	Bullone	Bolt	M6x14mm	
42	*	217063205	Bullone	Bolt	M5x20mm	
44	0C6789	206005194	Rondella piana	Flat washer	8,4x17mm	
45	0TT057	527856302	Piastrina fissaggio apparecchiature	Appliance fixing braket		
46	*	217015254	Bullone	Bolt	M8x25mm	
47	0TTL59	855899B00	Piastrina dx	Right bracket		
48	0TTL60	855899C00	Piastrina sx	Left bracket		
49	0C9655	*	KIT piastrina unione posteriore	KIT back appliance connection	Screws and braket	
50	0C0137	516860702	Piastrina unione anteriore interna	Inner front connection bracket		
51	0TTL56	527856201	Squadretta distanziale	Spacing braket		
53	0c5355	206044614	Rondella dentellata	Locking washer	6,4x11mm	
From Ser. Nr. Up to Ser. Nr.			Ed. document publication . 2015 – 11 Ed. page revision 2015 - 11		Page 8	Doc. N° 59785UU00



Pos	Code	Factory Code	Descrizione	Description	Ref. /Notes
60	*	853880600	Copertura singola	Center cover, wall installation	2000mm
	*	853875901	Copertura singola	Center cover, wall installation	2400mm
	*	853880700	Copertura singola DX	Center cover, right	1400mm
	*	853880800	Copertura singola SX	Center cover, left	1400mm
	*	853873101	Copertura singola DX	Center cover, right	1600mm
	*	853873201	Copertura singola SX	Center cover, left	1600mm
	*	853880900	Copertura singola DX	Center cover, right	1800mm
	*	853881000	Copertura singola SX	Center cover, left	1800mm
	61	OC8343	522875000	Pannello inferiore	Lower panel
*		522862900	Pannello inferiore	Lower panel	1600mm
OC6002		522875100	Pannello inferiore	Lower panel	1800mm
*		522874900	Pannello inferiore	Lower panel	2000mm
OC8340		522870100	Pannello inferiore	Lower panel	2400mm
62	*	*	*	*	*
63	OC8345	522873700	Zoccolatura anteriore DX se con piedi	Right kicking strip if with feet	1400mm
	OC8344	522873800	Zoccolatura anteriore SX se con piedi	Left kicking strip if with feet	1400mm
	*	522863101	Zoccolatura anteriore DX se con piedi	Right kicking strip if with feet	1600mm
	*	522863201	Zoccolatura anteriore SX se con piedi	Left kicking strip if with feet	1600mm
	*	522873900	Zoccolatura anteriore DX se con piedi	Right kicking strip if with feet	1800mm
	OC6003	522874000	Zoccolatura anteriore SX se con piedi	Left kicking strip if with feet	1800mm
	*	522874100	Zoccolatura anteriore se con piedi	Kicking strip if with feet	2000mm
	OC8341	522870001	Zoccolatura anteriore se con piedi	Kicking strip if with feet	2400mm
	64	*	527863200	Staffa supporto zoccolo	Support bracket
65	*	217063205	Bullone	Bolt	M5x20
66	OC8556	217042145	Vite	Screw	M4x14mm
67	*	529890900	Pannello inferiore top	Under panel	200mm
	*	529891000	Pannello inferiore top	Under panel	400mm
	*	529891100	Pannello inferiore top	Under panel	800mm
	*	529891200	Pannello inferiore top	Under panel	1200mm
	OTTM57	217063165	Vite fissaggio pannello inf.	Under panel fixing screx	M5x16mm
69	*	512818302	Copertura estetica braccio DX sbalzo doppio	Right esthetic arm cover , double side cantilever	
70	*	512818402	Copertura estetica braccio SX sbalzo doppio	Left esthetic arm cover , double side cantilever	
71	*	5038A6T00	Pannello centrale laterale per colonna doppio	Center end side panel, double side cantilever	
	*	5038A6S00	Pann. laterale per colonna singolo DX	Right end side panel, single side cantilever	
	*	5038A6R00	Pann. laterale per colonna singolo SX	Left end side panel, single side cantilever	
72	OC8342	0853880400	Copertura sbalzo, doppio lato	Center cover, double side	1400mm
	*	0853869401	Copertura sbalzo, doppio lato	Center cover, double side	1600mm
	*	0853880500	Copertura sbalzo, doppio lato	Center cover, double side	1800mm
	OC1907	0853880300	Copertura sbalzo, doppio lato	Center cover, double side	2000mm
	OC8339	0853875801	Copertura sbalzo, doppio lato	Center cover, double side	2400mm
73	*	511820600	Tappo cromato	Cromed plug	Old kicking strip
74	*	522862801	Rivestimento inox(estetico piede)	Inox foot cover	



Pos	Code	Factory Code	Descrizione	Description	Ref. /Notes
80	*	851808900	Settore laterale dx	Right side support panel	Wall cantilever
81	*	851809000	Settore laterale sx	Left side support panel	Wall cantilever
82	0C8834	851808800	Settore laterale sbalzo doppio	Double support side panel	