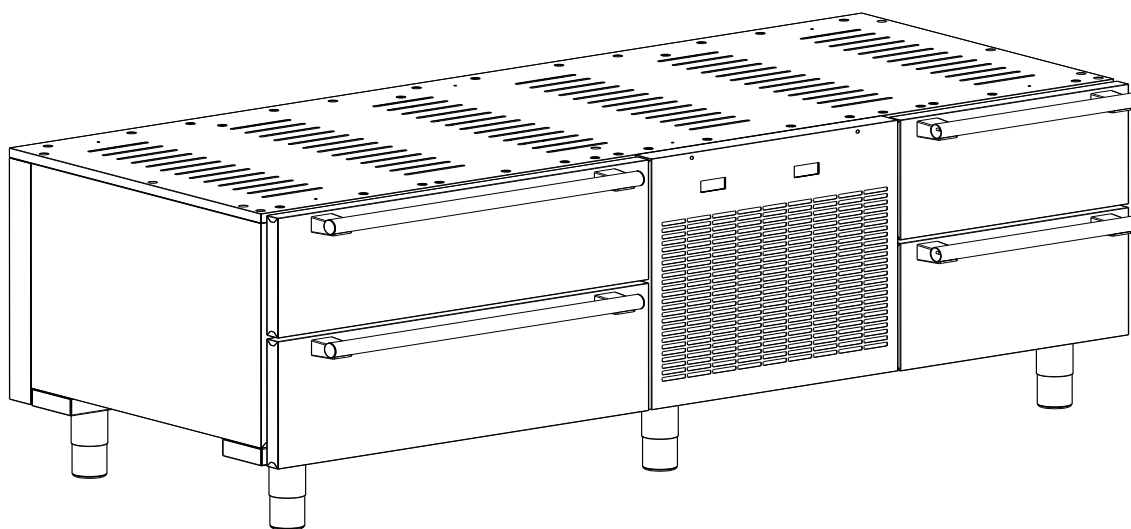


## Compact base USA

### 72" Refrigerated and Freezer

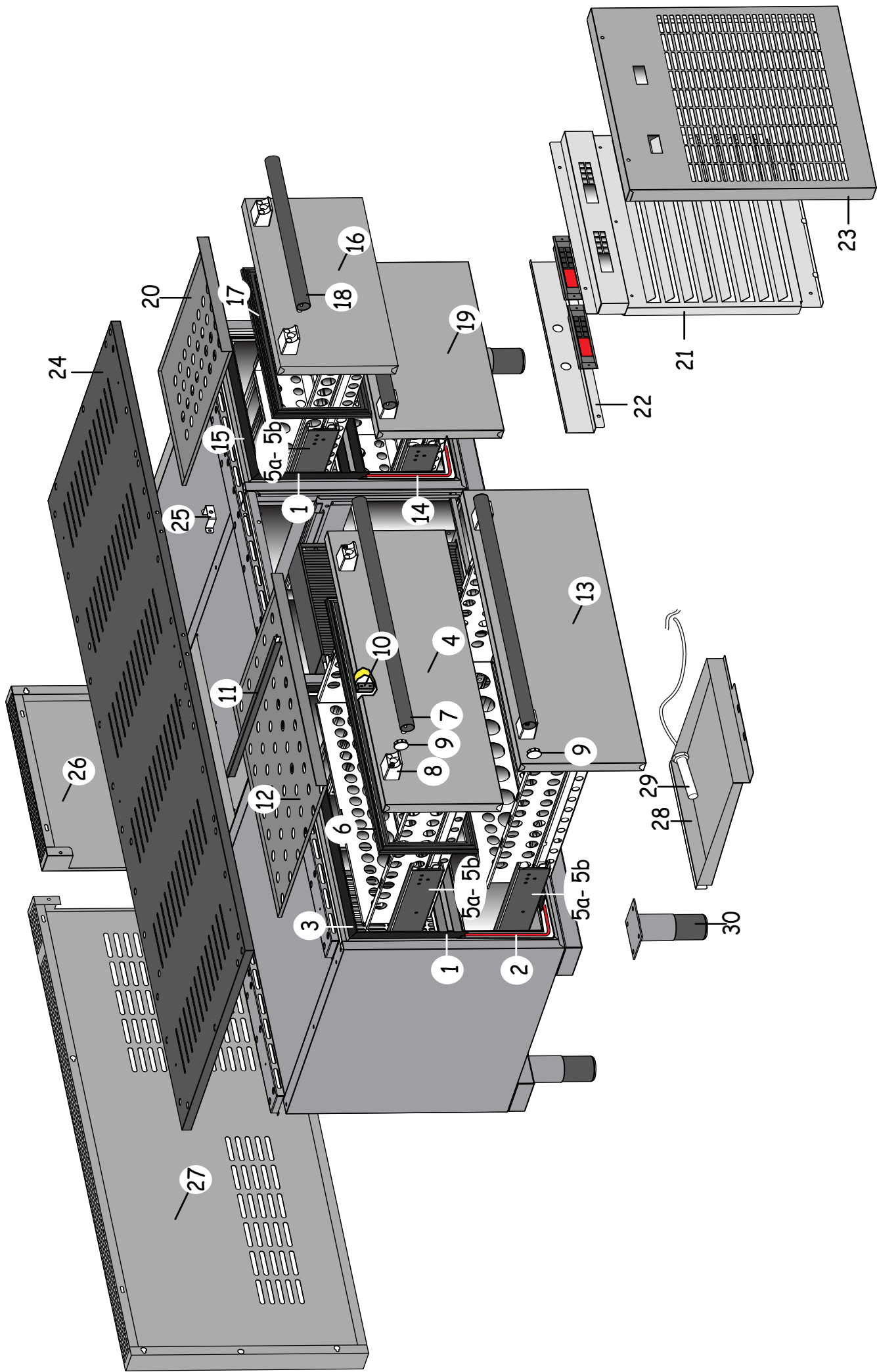
<i>Code</i>	<i>Avv.</i>	<i>Model</i>	<i>Description</i>	<i>Ref</i>	<i>Page</i>	<i>Brand</i>
727092	09	COMP72	REF/FREEZER BASE+4 DRAWERS 72"-120V	a	2, 4, 6	Electrolux
727190	05	COMP72	REF/FREEZER BASE+4 DRAWERS 72"-230V	b	2, 4, 6	Electrolux



Scala: 1:5

Pag.	<i>Index</i>
2	Counters
3	Spare parts list
4	Cooling unit assembly
5	Spare parts list
6	Electrical box
7	Spare parts list

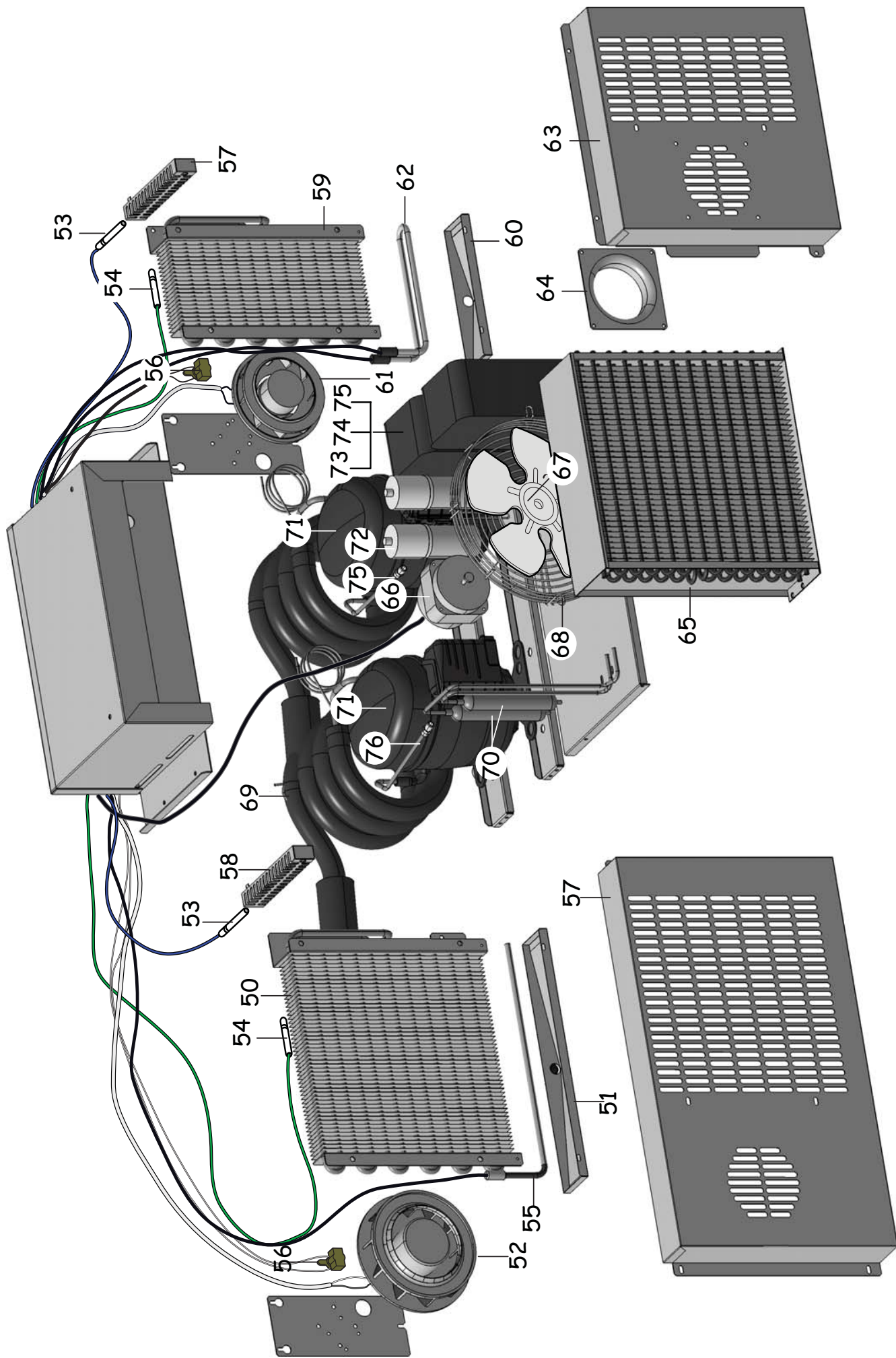
<i>Indice</i>
Tavolo
Lista ricambi
Gruppo refrigerante
Lista ricambi
Scatola elettrica
Lista ricambi



Refrigerators and Freezer - Compact line USA

PNC Ref. PNC Ref. PNC Ref. PNC Ref. PNC Ref.  
 727092 a 727190 b

Pos.	Code	Descrizione	Description	Ref. / Note
1	092608	Riscontro verticale	Vertical frame 430a	
2	092609	Cavo riscaldante 7w/m	Heating cable (R2)	a
2	092946	Cavo riscaldante 7w/m	Heating cable (R2)	
3	092610	Riscontro orrizzontale	Horizzontal frame	
4	092611	Ass.frontale cassetto sup.	Ass. frontal drawers (up)	
5a	092612	Guida dx cassetto	Right guide drawer	
5b	092613	Guida Sx cassetto	Left guide drawer	
6	092614	Guarnizione magnetica	Drawer gasket	
7	092615	Scorrimano	Handrails	
8	092616	Supporto per scorrimano	Handrails support	
9	0C6823	Tappo per scorrimano	Handrails plug	
10	092618	Blocchetto per supporto	Plastic support	
11	092619	Divisorio centrale teglie	Central suppot GN	
12	092620	Fondo removibile ( grande)	Removable bottom	
13	092621	Ass.frontale cassetto inf.	Ass. frontal drawers (down)	
14	092622	Cavo riscaldante 115V 7w/m	Heating cable (R4)	a
14	092961	Cavo riscaldante 230V 7w/m	Heating cable (R4)	
15	092623	Riscontro orrizzontale	Horizzontal frame	
16	092624	Ass.frontale cassetto sup.	Ass. frontal drawers (up)	
17	092625	Guarnizione magnetica (piccola)	Drawer gasket (small)	
18	092626	Scorrimano (piccolo)	Handrails (small)	
19	092627	Ass.frontale cassetto inf.	Ass. frontal drawers (down)	
20	092628	Fondo removibile ( piccolo)	Removable bottom (small)	
21	092629	Pannello termoregolatore	Thermoregulator panel	
22	092630	Pannello di chiusura termor.	Back panel thermoregulator	
23	092631	Pannello frontale condens.	Front condenser panel	
23	092988	Pannello frontale condens.	Front condenser panel	
24	092632	Top 72"	Top 72"	
25	092633	Staffa	Support	
26	092634	Pannello posteriore Dx	Back panel right Small	
27	092635	Pannello posteriore Sx	Back panel left big	
28	092636	Baccinella	Basin	
29	099935	Resistenza baccinella	Heating basin 120V 120W	a
29	092950	Resistenza baccinella	Heating basin 230V 120W	
30	088026	Piede	Foot	





## Refrigerators and Freezer - Compact line USA

PNC Ref. PNC Ref. PNC Ref. PNC Ref. PNC Ref.

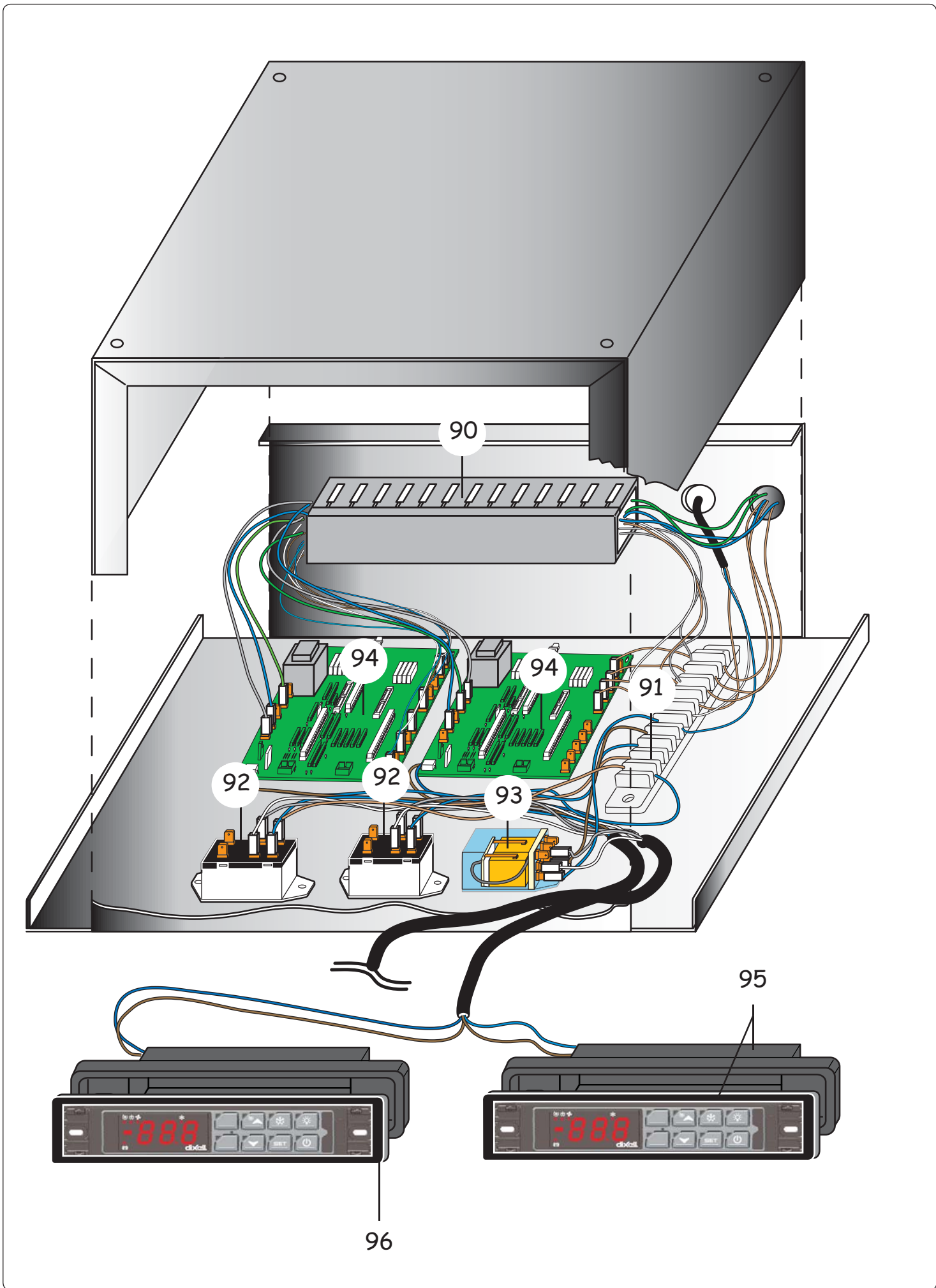
727092

a

727190

b

Pos.	Code	Descrizione	Description	Ref. / Note
50	092637	Evaporatore grande parte Sx	Left side evaporator ( big)	inserire inserto 089698
51	092638	Baccinella evaporatore	Evaporator basin ( big)	
52	092639	Assieme ventilatore cella SX	Cell ventilator ( left) (M2)	a
52	092955	Assieme ventilatore cella SX	Cell ventilator ( left) (M2)	
53	092175	Sonda cella blu (S1)	Cell probe blue (S1)	
54	092179	Sonda evaporatore verde (S2)	Evaporator probe green (S2)	
55	092640	Resistenza un stelo SX (R1)	Defrost heating eleme. Left	a
55	092956	Resistenza un stelo SX (R1)	Defrost heating eleme. Left	
56	090105	Termostato di sicurezza (E1-2)	Safety thermostat E1-2)	a
56	0A9671	Termostato di sicurezza (E1-2)	Safety thermostat E1-2)	
57	092641	Carter evaporatore Sx	Evaporator carter left side	a
57	092889	Carter evaporatore Sx	Evaporator carter left side	
58	092642	Supporto sonda	Probe support	
59	092643	Evaporatore piccolo parte dx	Left side evaporator ( small)	inserire inserto 089698
60	092644	Baccinella evaporatore	Evaporator basin ( small)	
61	092645	Assieme ventilatore cella dx	Cell ventilator (right) (M5)	a
61	092962	Assieme ventilatore cella dx	Cell ventilator (right) (M5)	
62	092646	Resistenza un stelo DX (R3)	Defrost heating eleme. (right)	a
62	092959	Resistenza un stelo DX (R3)	Defrost heating eleme. (right)	
63	092647	Carter evaporatore Dx	Evaporator carter right side	a
63	501R07402	Carter evaporatore Dx	Evaporator carter right side	
64	092648	Convogliatore ventilatore Dx	Fan convojer right	
65	092649	Condensatore	Heat Condenser	
66	092650	Ventilatore condensatore (M3)	Condenser ventilator (M3)	a
66	092957	Ventilatore condensatore (M3)	Condenser ventilator (M3)	
67	084781	Ventola	Fan	
68	092651	Griglia ventilatore	Fan protection	
69	092652	<b>Scambiatore</b>	<b>Heat exchanger</b>	<b>Up to 4491...</b>
69	094467	<b>Scambiatore</b>	<b>Heat exchanger</b>	<b>From 4501...</b>
70	084078	Filtro deidratore	Dehidrator filter	
71	092653	<b>Compressore CAE9470 tech.</b>	<b>Compressor CAE9470 tech.</b>	<b>(110/115V 60HZ) a</b>
71	0T6191	Compressore CAE9470 tech.	Compressor CAE9470 tech.	<b>Up to 4491...</b>
71	094466	<b>Compressore TECUMSEH</b>	<b>Compressor TECUMSEH</b>	<b>(230/50HZ)</b> <b>(110/115V 60HZ) a</b> <b>From 4501...</b>
72	092654	Condensat. 30 uF/400v run	Capacitor 30 uF/400v run	a
73	092655	Condensat. 315 uF/160v start	Capacitor 3315 uF/160v start	a
74	092656	Relè 3ARR3T3AL3	Relays 3ARR3T3AL3	a
75	092657	Protettore (MST00AFZ)	Protector (MST00AFZ)	a
*	099872	Gommino per compressore	Rubber compressor	
*	099868	Boccola per compressore	Compressor bush	
76	0A8171	Valvola di ricarica	Charge /recharge valve	



Refrigerators and Freezer - Compact line USA

PNC Ref. PNC Ref. PNC Ref. PNC Ref. PNC Ref.

727092

a

727190

b

Pos.	Code	Descrizione	Description	Ref. / Note
90	092658	Canalina grigia cavi	Grey cable support	
91	082171	Morsetiera (MA)	Clamp (MA)	
92	088086	Relè Omrom (RB-RC)	Relay (RB-RC)	a
92	088267	Relè Omrom (RB-RC)	Relay (RB-RC)	a
93	099176	Relè finder 62.83.8.120 (RA)	Relay finder 62.83.8.120 (RA)	a
93	088197	Relè finder 62.83.8.120 (RA)	Relay finder 62.83.8.120 (RA)	a
94	092659	Scheda power XW260k 115V	Main power XW260k 115V (MP)	a
94	092960	Scheda power XW260k 220V	Main power XW260k 220V (MP)	
95	092660	Ass. termoregolatore	Thermoregulator assembly	
96	092661	Guarnizione termoregolatore	Thermoregulator gasket	
*	093636	Filtro anti disturbo	Electrical filter	