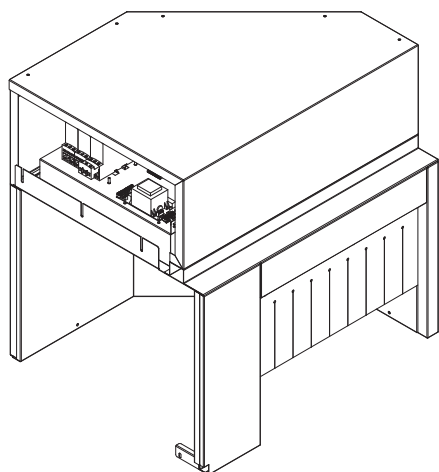
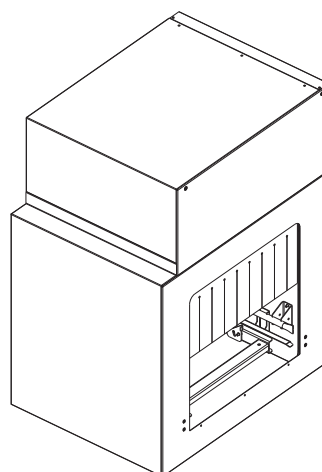


Drying Tunnel DT

**DT 90° EL****HAB 600 EL****Models Affected:**

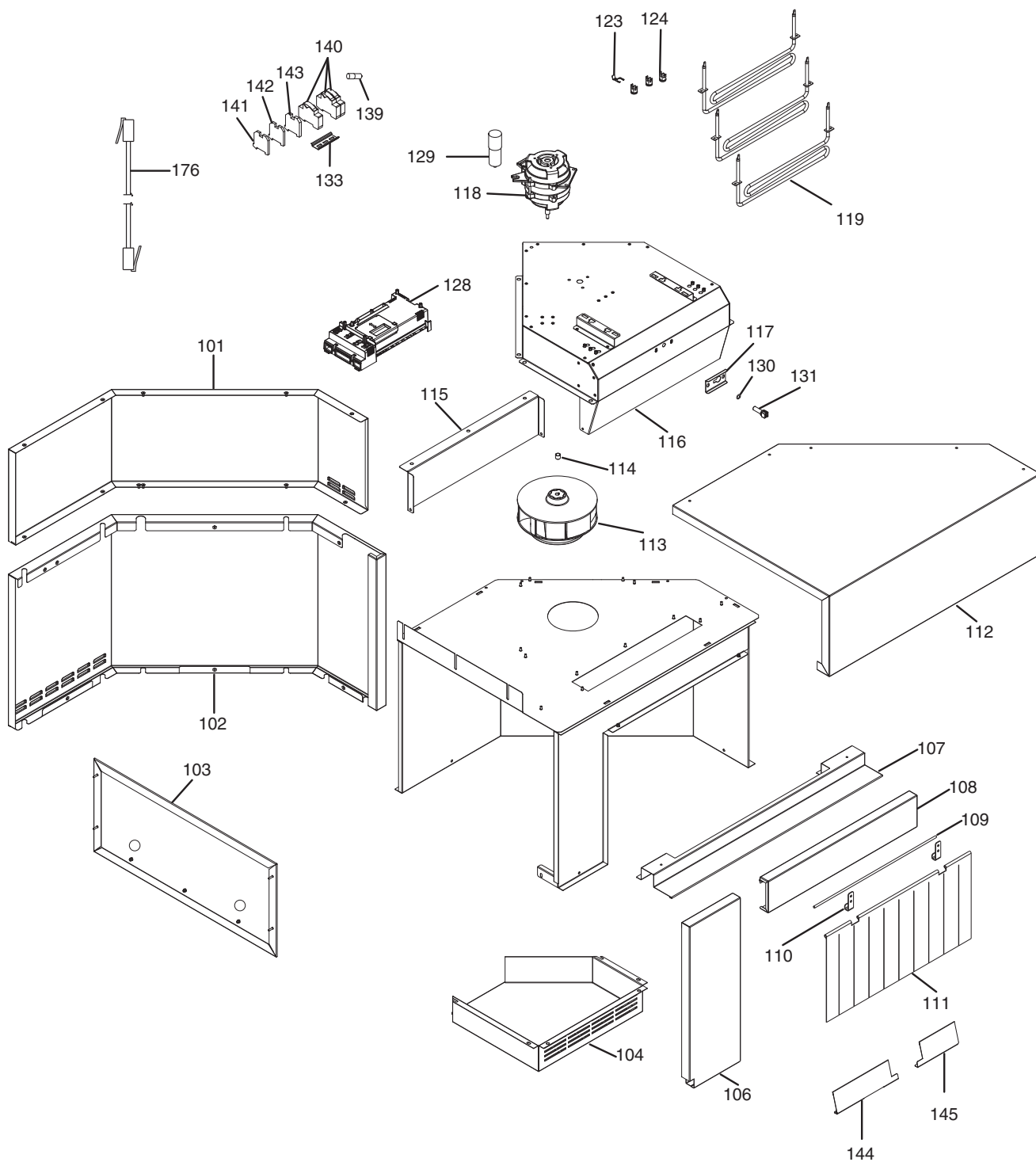
Electrolux Product	Description
864384	HABRTAER
864385	HABRTAEL
864386	CDTRTAER
864387	CDTRTAEEL

Electrolux Product	Description
864396	HABRTAER6
864397	HABRTAEL6
864398	CDTRTAER6
864399	CDTRTAEEL6

Marchio/Brand: **ELECTROLUX/TO BRAND**
Paese/Country: **Tutti/All**

INDICE / INDEX

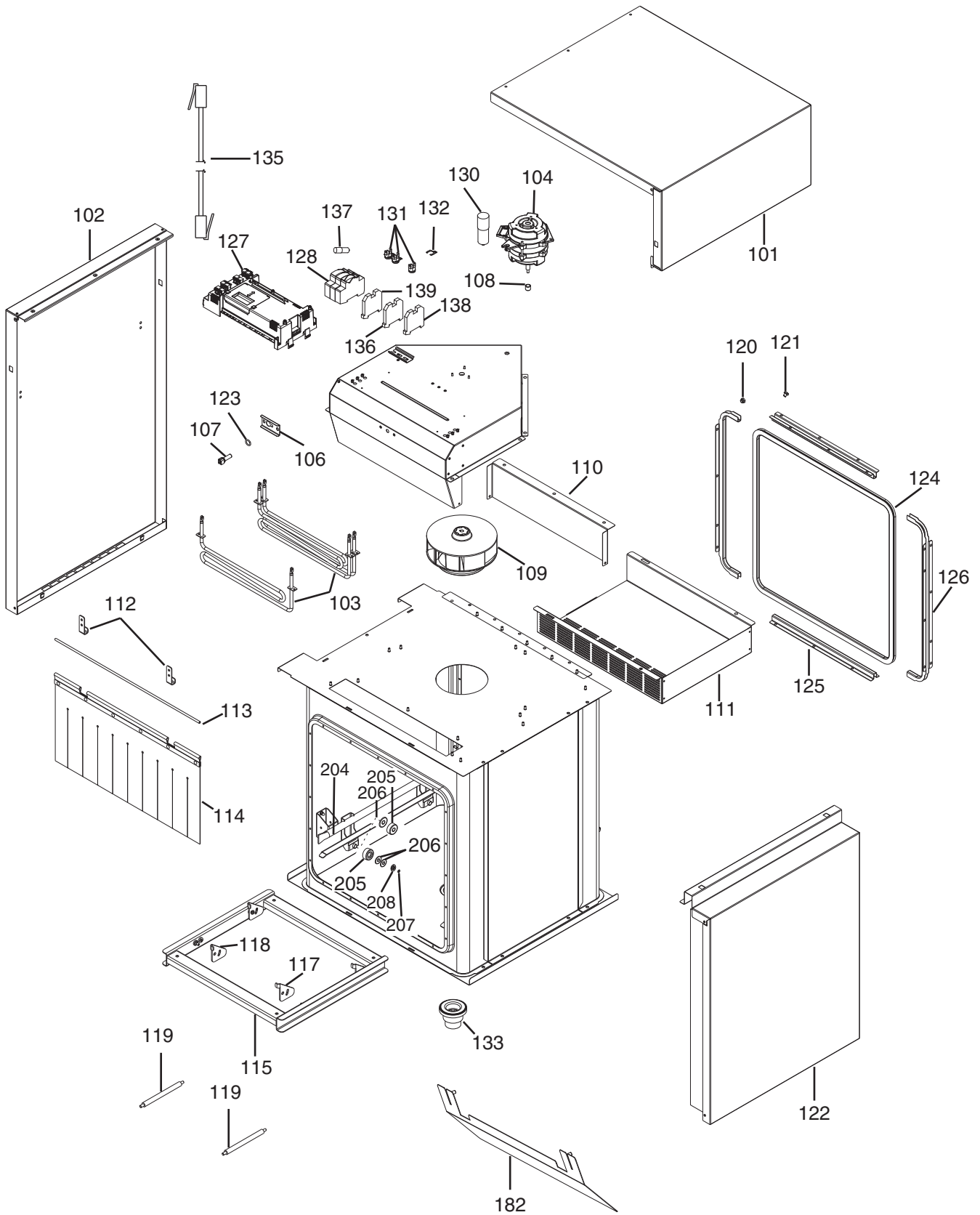
Disegno/ Drawing	Descrizione / Description	Pagina/ Page
iii. DT90EL	Zona di asciugatura (DT 90° EL) / Drying zone (DT 90° EL)	3
	Lista ricambi / Spare parts list	4
iii. HAB600EL	Zona di asciugatura (HAB600 EL) / Drying zone (HAB600 EL)	5
	Lista ricambi / Spare parts list	6



iii. DT90EL

Zona di asciugatura (DT 90° EL) / Drying zone (DT 90° EL)

Zona di asciugatura (DT 90° EL) Drying zone (DT 90° EL)			iii. DT90EL	Grassetto = variazioni	Bold Print = changes
Pos.	Q.tà Q.ty	Cod.ric. Part No.	Cod. Fab. Fac. code	Description	Note Notes
101	1	0L1776	830653600	Left upper lateral panel	DT 90° sx/left
101	1	0L1777	830654000	Right upper lateral panel	DT 90° dx/right
102	1	0L1778	830653500	Left lower lateral panel	DT 90° sx/left
102	1	0L1779	830653900	Right lower lateral panel	DT 90° dx/right
103	1	0L3150	805666J00	Side for side locking	
104	1	0L1781	800671500	Left inner case	DT 90° sx/left
104	1	0L1782	800671600	Right inner case	DT 90° dx/right
106	1	0L1344	830644400	Left vertical front panel	DT 90° sx/left
106	1	0L1340	830649100	Right vertical front panel	DT 90° dx/right
107	1	0L1783	5026A9400	Left frame	DT 90° sx/left
107	1	0L1784	5026B0100	Right frame	DT 90° dx/right
108	1	0L1331	830644500	Horizontal front panel	
109	1	0E5826	RT0003700	Curtain rod	
110	2	0L1171	503610500	Curtain support	
111	1	0L0851	541612402	Short single curtain	
111	1	0L1733	541617100	Short single curtain	
112	1	0L1785	5026A9600	Left upper panel	DT 90° sx/left
112	1	0L1786	5026B0300	Right upper panel	DT 90° dx/right
113	1	0L1531	549646001	Fan	
114	1	0L1541	515665801	Motor spacer	
115	1	0L1542	5026A8501	Inner shield	
116	1	0L1615	830650503	Inner case	
117	1	0L0366	507683800	Temperature probe support	
118	1	0L1536	835621501	Motor 50Hz	For 50Hz models
118	1	0L3412	611638600	Motor 60Hz	For 60Hz models
119	3	0L1535	617626202	Resistance	
123	3	048987	506698900	Limit control support	
124	3	0L1534	646619200	Limit control	
128	1	0L3151	673612503	Electronic board	
129	1	0E0174	694606100	Capacitor	
130	1	046376	543605900	O-ring	
131	1	049643	124294000	Temperature probe	
133	1	0E3032	W00010100	DIN bar L=142mm	
139	3	0L1532	652608300	Fuse	
140	3	075737	652603200	Fuse holder	
141	1	0L1533	639629400	Blue terminal block	
142	1	0L1245	639628400	Blue terminal block	
143	1	0L1298	639628900	Brown terminal block	
144	1	0L1787	503617100	Air shield - DT 90° dx/right	Up to Ser .Nr.: 5011
144	1	0L1787	503617101	Air shield - DT 90° dx/right	From Ser. Nr.: 5021
144	1	0L1788	503616900	Air shield - DT 90° sx/left	Up to Ser .Nr.: 5011
144	1	0L1788	503616901	Air shield - DT 90° sx/left	From Ser. Nr.: 5021
145	1	0L1789	503616800	Air shield - DT 90° sx/left	
145	1	0L1790	503617000	Air shield - DT 90° dx/right	
176	1	0L3152	63868C200	Communication cable	Up to Ser:4511
176	1	0L3458	63868CG00	Communication cable	From Ser:4521



iii. HAB600EL

Zona di asciugatura (HAB600 EL) / Drying zone (HAB600 EL)

Da Ser.Nr./From Ser.nr.: 344

Page: 5 Ed. 2011-12

Doc. Nr.: **59566G200**

Zona di asciugatura (HAB600 EL)		ill. HAB600EL		Grassetto = variazioni	
Drying zone (HAB600 EL)				Bold Print = changes	
Pos.	Q.tà Q.ty	Cod.ric. Part No.	Cod. Fab. Fac. code	Description	Note Notes
101	1	0L3153	83065CJ00	Mobile cover	
102	1	0L3154	83065CH00	Back panel	
103	3	0L1535	617626202	Heating element	
104	1	0L1536	835621501	Motor 50Hz	For 50Hz models
104	1	0L3412	611638600	Motor 60Hz	For 60Hz models
105	1	0L1615	830650503	Inner case	
106	1	0L0366	507683800	Temperature probe support	
107	1	049643	124294000	Temperature probe	
108	1	0L1541	515665801	Motor spacer	
109	1	0L1531	549646001	Fan	
110	1	0L1542	5026A8501	Inner shield	
111	1	0L1543	800671101	Right internal box	
111	1	0L1616	800671201	Left internal box	
112	2	0L1171	503610500	Curtain hook	
113	1	0E5826	RT0003700	Curtain rod	
114	1	0L0851	541612402	Short single curtain	
114	1	0L1733	541617100	Short single curtain	
115	1	0L1306	830632203	Slide	
117	2	0L1315	5046A3900	Left rack tooth	
118	2	0L1314	5046A3800	Right rack tooth	
119	2	0L0841	514695200	Drawing connection shaft	
120	20	0L0872	514698001	Bush	
121	20	0L1617	514698100	Screw	
122	1	0L1546	800670902	Front panel	
123	1	046376	543605900	O-ring	
124	1	0L0827	543630300	Gasket	
125	2	0L0992	502697602	Gasket horizontal cover	
126	2	0L0991	502697501	Gasket vertical cover	
127	1	0L3151	673612502	Electronic board	
128	3	075737	652603200	Fuse holder	
130	1	0E0174	694606100	Capacitor	
131	3	0L1534	646619200	Limit control	
132	3	048987	506698900	Limit control support	
133	1	0L1537	544685700	Drain	
135	1	0L3152	63868C200	Communication cable	Up to Ser:4511
135	1	0L3458	63868CG00	Communication cable	From Ser:4521
136	1	0L1245	639628400	Blue terminal block	
137	3	0L1532	652608300	Fuse	
138	1	0L1533	639629400	Blue terminal block	
139	1	0L1298	639628900	Brown terminal block	
182	1	0L1618	800671702	Shield	
204	2	0L2594	835621Y00	Rack rail kit	
205	4	0L2520	547604800	Trail lock device	
206	8	0L2174	549646100	Roller spacer	
207	4	0L2522	219614400	Retainer ring	
208	4	0L2521	5066A0R00	Flanged washer	