

HEAVY DUTY COUNTERS SMART ELECTROLUX

Code	Avv.	Description	REFRIGERATED	Ref	Brand	Page
726583	20/27	Counter 2 comp. 2 doors		a	Electrolux	2- 4
726584	21/28	Counter 3 comp. 3 doors		b	Electrolux	2- 4
726585	21/28	Counter 4 comp. 3 doors		c	Electrolux	2- 4

Code	Avv.	Description	FREEZER	Ref	Brand	Page
726586	18/24	Counter 2 comp. 2 doors freezer		d	Electrolux	2- 6
726587	19/25	Counter 2 comp. 2 doors freezer		e	Electrolux	2- 6

Note:

from serial n°943000.. has been update the components of pnc above descript before to serial °9430000 please make reference the documents N°531402

Note:

from DATE 01/2015 the component on page 7 (pos.136) have been updated.

Note:

from DATE 10/2012 the components on pages 5(pos. 51-51a-63-85), 7(pos.108-143) have been updated.

Note:

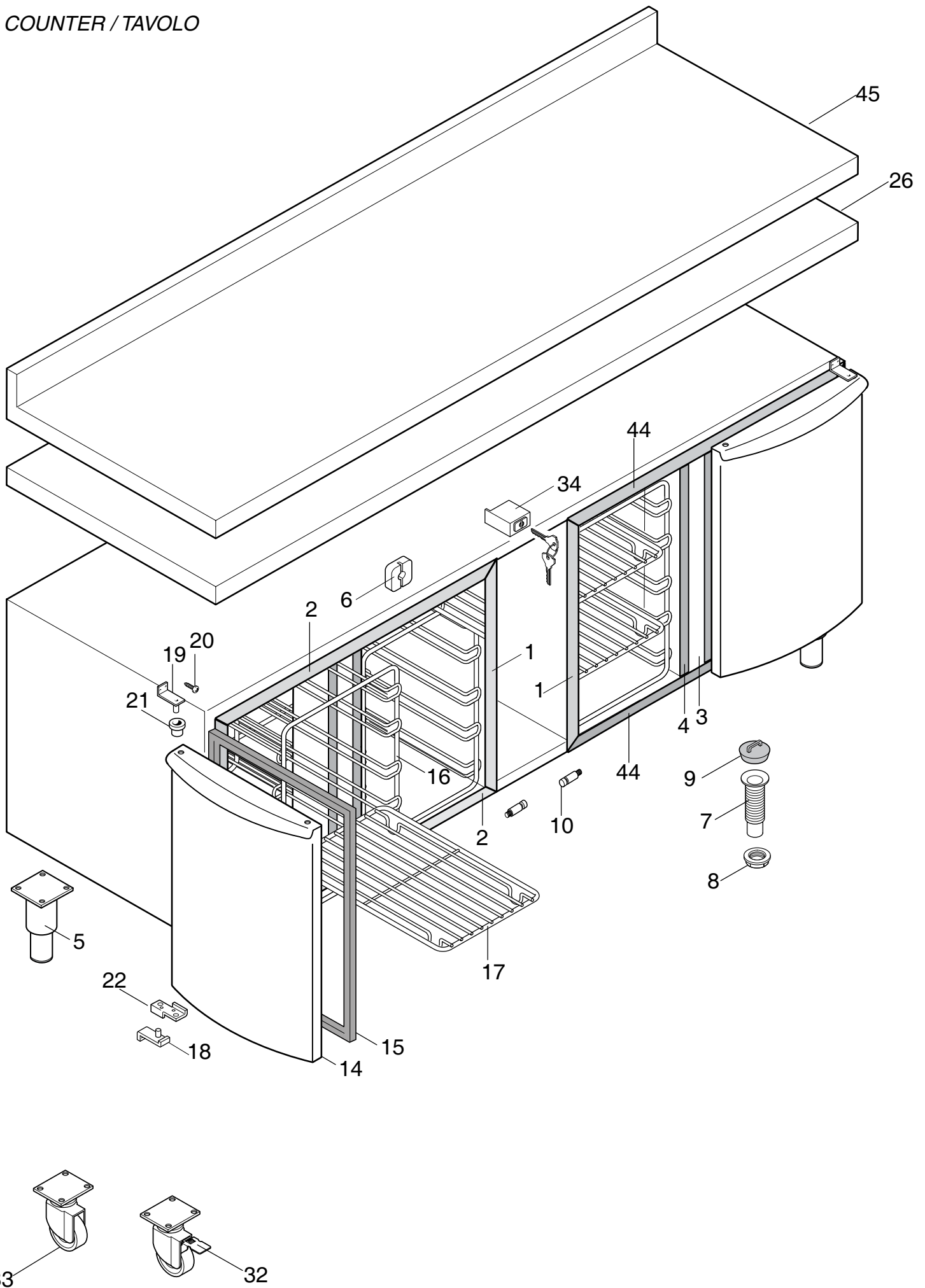
from DATE 07/2012 the components on page 7(pos.103-119-123) have been updated.

Pag./Page	Indice	Index
2	Esploso tavolo	Counter exploded view
3	Lista ricambi tavolo	Spare parts list Counter
4	Esploso gruppo refrigerato	Cooling unit exploded view refrigerated
5	Lista ricambi gruppo refrigerato	Spare parts list for refrigerated cooling unit
6	Eploso gruppo congelatore	Cooling unit exploded view freezer
7	Lista ricambi gruppo congelatore	Spare parts list for cooling unit freezer

Marchio / Brand: **Electrolux**

Paese / Country: **Tutti / All**

COUNTER / TAVOLO



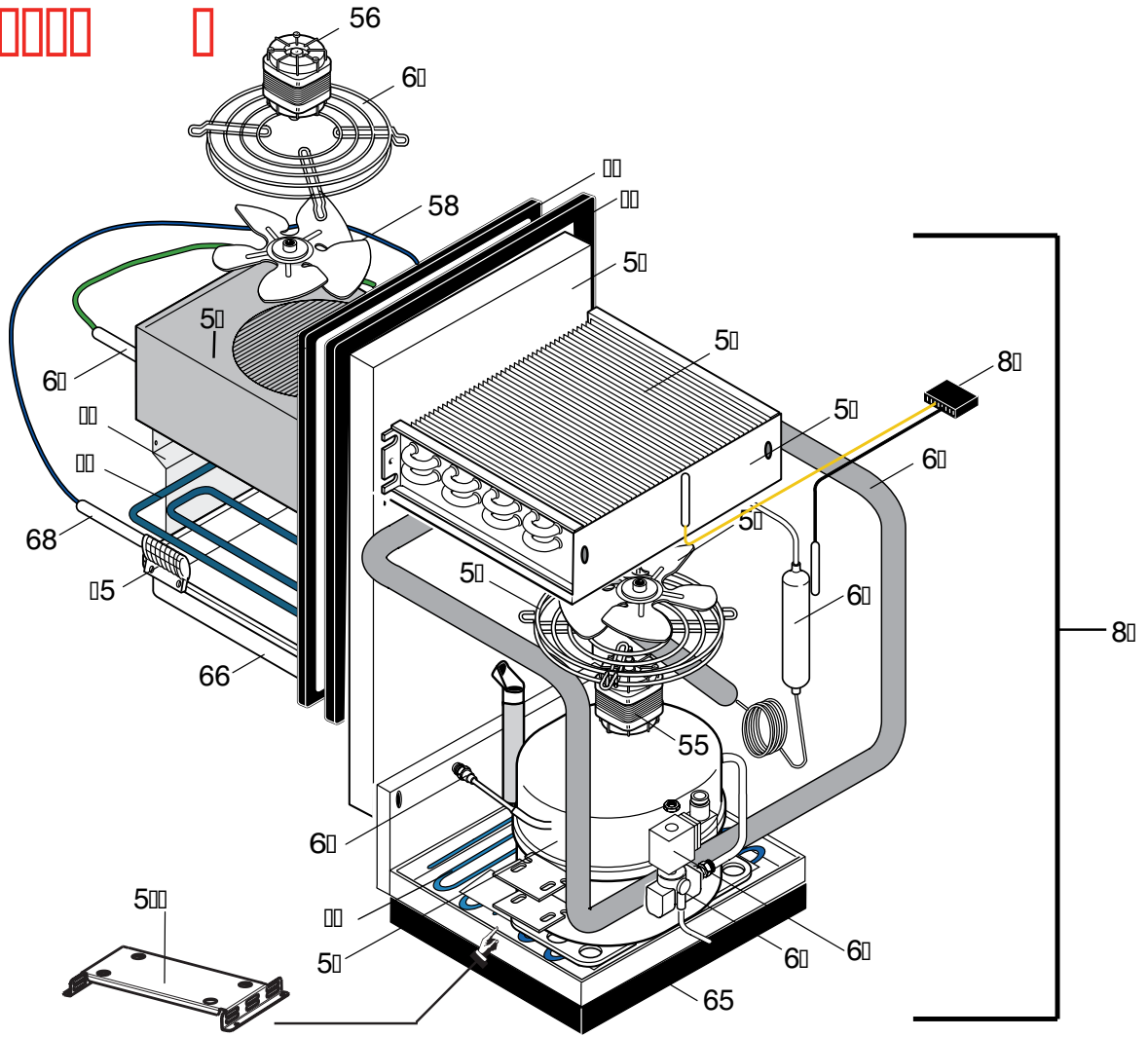
HD counters

PNC REF	PNC REF	PNC REF	PNC REF	PNC REF	PNC REF	PNC REF	PNC REF	PNC REF	PNC REF	PNC REF	PNC REF	PNC REF	PNC REF
726583 a													
726584 b													
726585 c													
726586 d													
726587 e													

Pos	Code	Descrizione	Description	Ref. / Notes
		<u>Pagina 2 Mobile</u>	<u>Page 2 Counter</u>	
1	099252	Cornice verticale	Vertical frame	
2	099280	Cornice orizzontale per 1 vano	Orizzontal frame for 1 comp.	
2	099253	Cornice orizzontale per 2 vani	Orizzontal frame for 2 comp.	b,c
3	099254	Montante	Central support	b,c,e
4	099255	Cornice montante	Frame for central support	b,c,e
5	088026	Piede	Foot	
6	087685	Blocchetto posteriore struttura	Back support for structure	
7	087912	Piletta 1/2"	Pipe 1/2"	
8	081797	Controdado per piletta 1/2"	Nut for pipe 1/2"	
9	085535	Tappo per piletta	Plug for pipe	
10	050168	Perno per pannello condensatore	Pin for condenser panel	
14	087663	Porta	Door	
15	087664	Guarnizione porta	Gasket door	
16	089612	Struttura per griglie	Shelf support	
17	083615	Griglia	Shelf	
18	087667	Cerniera inferiore	Lower hinge	
19	087688	Cerniera superiore	Upper hinge	
20	085756	Vite per cerniera sup.inf. M5x12	Screw for upper /lower hinge M5x12	
21	081807	Boccola per cerniera	Bush for hinge	
22	087670	Fermo porta	Lower stopper door	
26	087759	Ripiano (4 vani)	Top (4 compartement)	c (4 compartement) L = 2236
26	087761	Ripiano (3 vani)	Top (3 compartement)	b,e (3 compartement) L = 1751
26	087743	Ripiano (2 vani)	Top (2 compartement)	a,d (2 compartement) L = 1266
32	087110	Ruota con freno	Well with brake	Kit 880539
33	087111	Ruota	Well	Kit 880539
34	*	Serratura completa	Kit lock	Kit 881499
	*	Kit cassetiera 1/2	Drawers of 1/2 complete	Kit 881514 (no freezer)
	*	Kit cassetiera 1/3	Drawers of 1/3 complete	kit 881515 (no freezer)
	*	Kit bottler bin	Kit bottler bin complete	kit 881516 (no freezer)
44	099280	Cornice orizzontale per 1 vano	Orizzontal frame for 1 comp.	
44	099253	Cornice orizzontale per 2 vani	Orizzontal frame for 2 comp.	b,c,e
45	087947	Ripiano con alzatina (4 vani)	Top with splash back (4 compart.)	(4 compartement) L = 2236
45	087772	Ripiano con alzatina (3 vani)	Top with splash back (3 compart.)	(3 compartement) L = 1751
45	087768	Ripiano con alzatina (2 vani)	Top with splash back (2 compart.)	(2 compartement) L = 1266

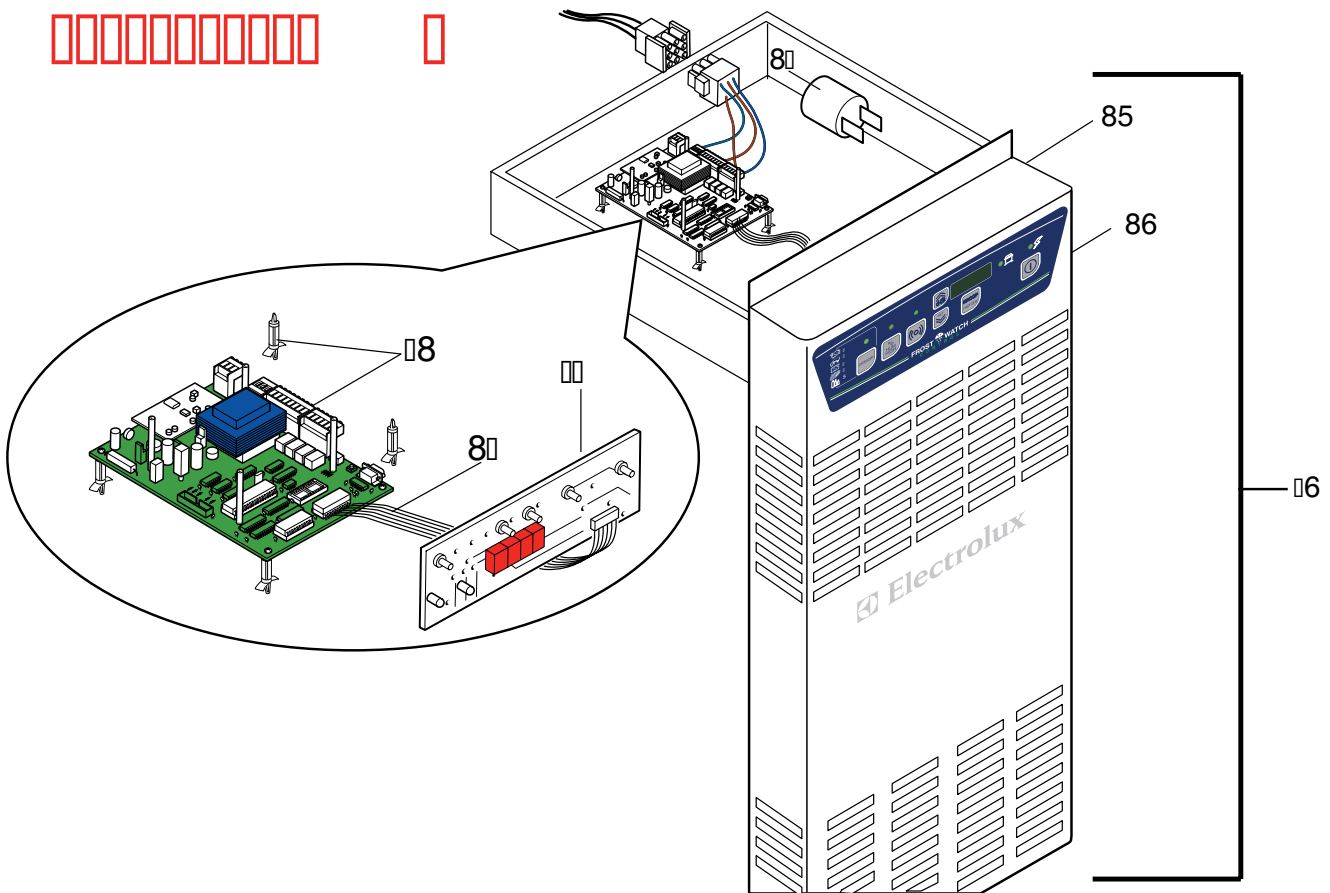
□□□□□□□□□□

□



□□□□□□□□□□

□

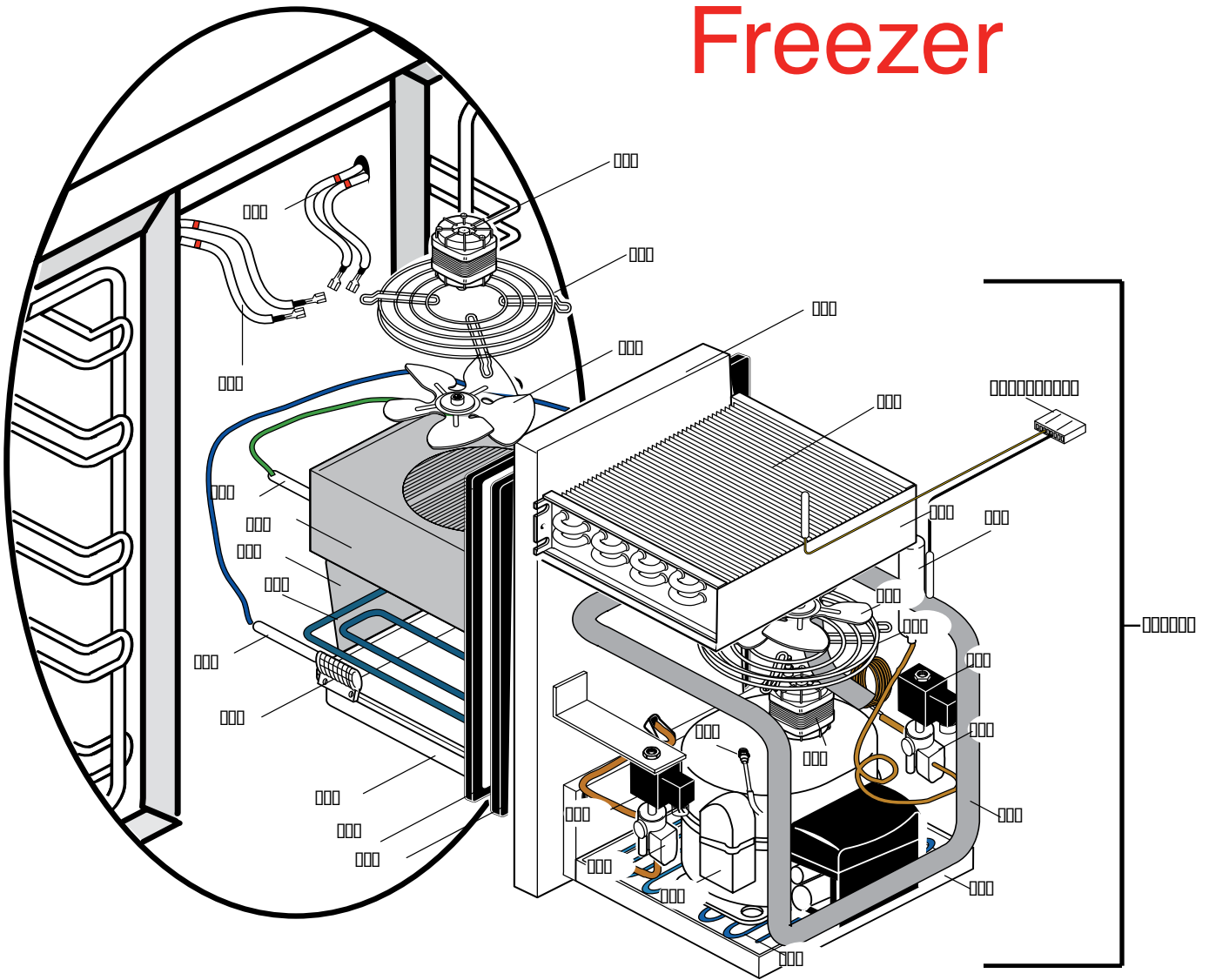


HD counters : Codici solo per gruppo refrigerato positivo / Codes only for refrigerated cooling unit

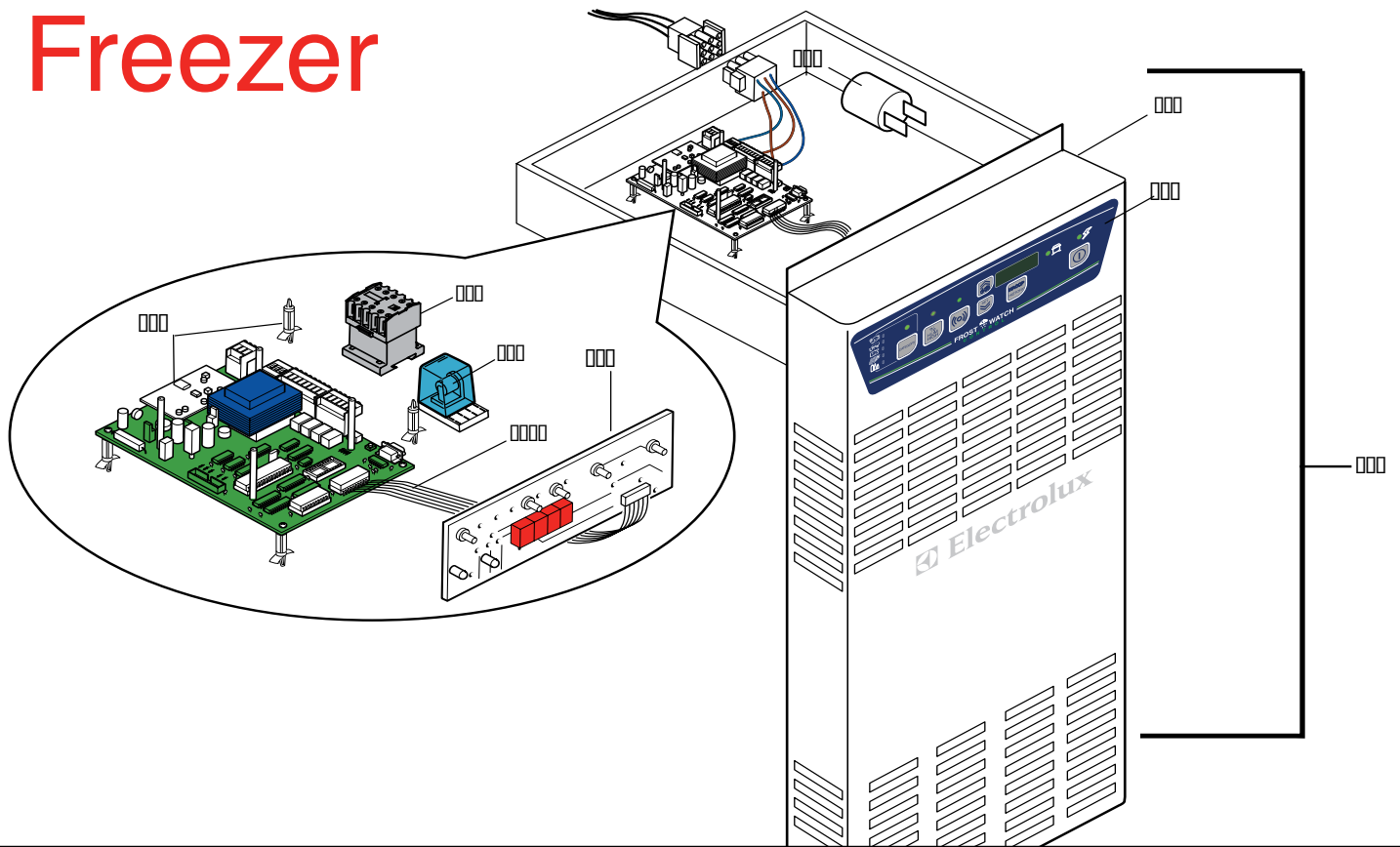
PNC	REF	PNC	REF	PNC	REF	PNC	REF	PNC	REF	PNC	REF	PNC	REF	PNC	REF	PNC	REF	PNC	REF	PNC	REF	PNC	REF
726583	a																						
726584	b																						
726585	c																						

Pos	Code	Descrizione	Description	Ref. / Notes
		Pagina 4 Gruppo positivo	Page 4 Refrigerated cooling	
50	099265	Tampone	Insulation panel	
51	083718	Compressore GL90TB (M1)	Compressor GL90TB (M1)	up to 140070..(2011)
*	081756	relè per GL90TB (M1)	Relè for GL90TB (M1)	up to 140070..(2011)
*	081870	Protettore per GL90TB (M1)	Clixson for GL90TB (M1)	up to 140070..(2011)
*	0A8764	Condensatore di spunto GL90TB (M1)	Start capacitor for GL90TB (M1)	up to 140070..(2011)
51	093206	Compressore EMT6170ZA	Compressor EMT6170ZA	from to 141070..(2011)
51a	501R525..	Supporto compressore EMT6170ZA	Compressor support EMT6170ZA	from to 141070..(2011)
*	087122	Kit fissaggio compressore	Compressor fixing kit	
52	087706	Condensatore 4 vani	Condenser	c
52	087693	Condensatore 2/3 vani	Condenser	a,b
53	087742	Supporto/convogliatore condensatore	Support for condenser	
54	092271	Evaporatore 4 vani	Evaporator	c
54	092270	Evaporatore 2/3 vani	Evaporator	a,b
55	085668	Ventilatore condensatore (M3)	Motor ventilator for condenser (M3)	
56	085668	Ventilatore evaporatore (M2)	Motor ventilator for evaporator (M2)	
57	082230	Ventola condensatore	Condenser fan	
58	082230	Ventola evaporatore	Evapoartor fan	
59	089755	Griglia condensatore	Protection fan condenser	
60	089755	Griglia evaporatore	Protection fan evapoartor	
61	087694	Corpo valvola solenoide (V1)	Solenoid valve (V1)	
62	085847	Bobina per valvola solenoide (V1)	Coil for solenoid valve (V1)	
63	087695	Scambiatore	Heat exchanger	up to 140070..(2011)
63	093219	Scambiatore	Heat exchanger	from to 141070..(2011)
64	084078	Filtro deidratore	Dehydrator filter	
65	099266	Bacinella evaporazione condensa	Basin for evapoartion water condens.	
66	087697	Bacinella raccolta condensa	Basin for water condenser	
67	085505	Valvola di ricarica	Charge/discharge valve for compres.	
68	092177	Sonda cella "S1" Blue	Cell probe "S1" Blue	
69	092180	Sonda evaporatore "S2"VERDE	Evaporator probe "S2"green	
70	099268	Serpentina evap. condensa	Heat element for evaporation water c.	
71	099269	Serpentina evaporatore	Heat element for basin evaporator	
72	099270	Pannello posteriore evaporatore	Back panel for evaporator	
73	092060	Guarnizione esterna tampone 8x18	External gasket for insulation panel	
74	099134	Guarnizione interna tampone 8x10	Internal gasket for insulation panel	
75	088602	Gabbietta per sonda	Protection probe	
76	*	Cruscotto completo di comandi	Front panel complete	0880R44705 Factory code to be setted
78	092562	Scheda madre (MP)	Main board (MP)	
79	087481	Scheda pulsanti (UI)	User board (UI)	
80	099468	Cavo flat	Flat cable	
81	092181	Sonda cella GIALLA/NERA (S3,S4)	Cell probe YELL/BLACK (S3,S4)	
82	084987	Filtro elettrico (F1)	Electrical filter (F1)	
84	087712	Gruppo completo -2°C	Cooling unit complete -2°C	a,b for 2/3 compartements
84	087840	Gruppo completo -2°C	Cooling unit complete -2°C	c for 4 compartements
85	092499	Cruscotto frontale	Front panel	up to 139070..(2011)
85	092750	Cruscotto frontale	Front panel	from to 140070..(2011)
86	092512	Mascherina adesiva Electrolux	Electrolux stiker	

Freezer



Freezer



HD counters : Codici solo per gruppi congelatori / Codes only for cooling units freezer

PNC	REF	PNC	REF	PNC	REF	PNC	REF	PNC	REF	PNC	REF	PNC	REF	PNC	REF	PNC	REF
726586	d																
726587	e																

Pos	Code	Descrizione	Description	Ref. / Notes
		<u>Pagina 7 Gruppo Freezer</u>	<u>Page 7 Freezer cooling</u>	
100	099281	Cavo riscaldante per un vano	Heating cable for one compartement	
101	099282	Cavo riscaldante per due vani	Heating cable for two compartement	e
102	099265	Tampone	Insulation panel	
103	084464	Compressore T2178GK (M1)	Compressor T2178GK	up to 249070..(2012)
*	092402	Relè avviamento	Starting relè	up to 249070..(2012)
*	alias	condensatore start 88-108 mf	Start capacitor 88-108 mf	up to 249070..(2012)
*	alias	condensatore run 30 mf	Run capacitor 30 mf	up to 249070..(2012)
103	684R088..	Compressore NT2180GK	Compressor NT2180GK	From to 251100..(2012)
104	087706	Condensatore	Condenser	
105	087742	Supporto/convogliatore condensatore	Support for condenser	
106	092271	Evaporatore	Evaporator	
107	085668	Ventilatore evaporatore (M2)	Motor ventilator for evapoarator	
108	087709	Ventilatore condensatore (M3)	Motor ventilator for condenser	up to 139070..(2011)
108	092753	Ventilatore condensatore	Motor ventilator for condenser	from to 140070..(2011)
109	082230	Ventola evaporatore	Evapoartor fan	
110	0A8420	Ventola condensatore	Condenser fan	
111	089755	Griglia evaporatore	Protection fan evapoartor	
112	0A8843	Griglia condensatore	Protection fan condenser	
113	087694	Corpo valvola solenoide (V1)	Solenoid valve (V1)	
114	0A9377	Corpo valvola solenoide (V2)	Solenoid valve (V2)	
115	085847	Bobina per valvola solenoide	Coil for solenoid valve	
116	089804	Scambiatore	Heat exchanger	
117	084078	Filtro deidratore	Dehydrator filter	
118	087696	Bacinella evaporazione condensa	Basin for evapoartion water condens.	
119	087707	Bacinella raccolta condensatore	Basin for water condenser	up to 249070..(2012)
119	833R239..	Bacinella raccolta condensatore	Basin for water condenser	from to 251100..(2012)
120	0A8171	Valvola di ricarica	Charge/discharge valve for compres.	
121	091177	Sonda cella (S1)	Cell probe	
122	092180	Sonda evaporatore (S2)	Evaporator probe	
123	099283	Serpentina evap. condensa	Heat element for evaporation water c.	up to 249070..(2012)
123	515R209..	Serpentina evap. condensa	Heat element for evaporation water c.	from to 251100..(2012)
124	099284	Serpentina evaporatore	Heat element for basin evaporator	
125	*	Pannello posteriore evaporatore	Back panel for evaporator	508773704 factory code
126	092260	Guarnizione esterna tampone	External gasket for insulation panel	
127	092134	Guarnizione interna tampone	Internal gasket for insulation panel	
128	088602	Gabbietta per sonda	Protection probe	
129	092562	Scheda principale (MP)	Main board	Parameter map in web site
131	083215	Rele` "finder" 60.62.8.230 (RV)	Relay "finder"	
132	088557	Teleruttore (C1)	Relay"scharck"	
133	099468	Cavo flat	Flat cable	
134	087481	Scheda pulsanti (U1)	Main user	
135	084987	Filtro elettrico (F1)	Electric filter	
136	094512	Mascherina adesiva comandi	Stiker control	d, e - 0755R03100 factory code
138	*	Gruppo completo -24°C	Cooling unit -24°C	874700507 factory code
139	092181	Sonda condensatore/ambiente (S3,4)	Condenser /room probe "S3+S4"	
142	*	Pannello comandi completo	Comand panel complete	880R44905 factory code
143	092499	Pannello frontale senza mascherina	Frontal panel without stiker	up to 139070..(2011)
143	092750	Pannello frontale senza mascherina	Frontal panel without stiker	from to 140070..(2011)