

DE GAS CHARGRILL 10.5KW / 21KW / 31KW
EN GAS CHARGRILL 10.5KW / 21KW / 31KW

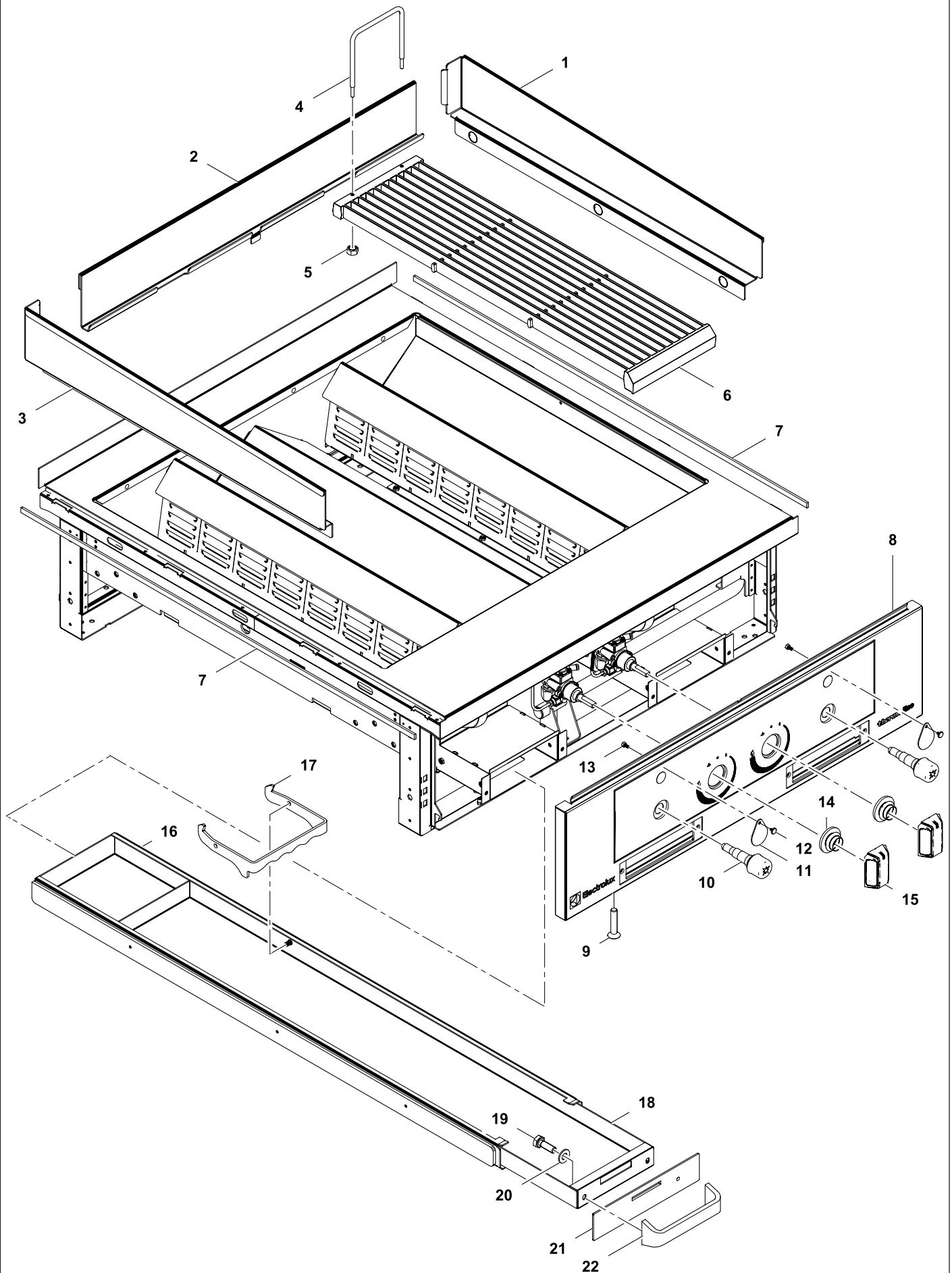
PNC	Factory Model	Ref.	Description
588618	MBDABBDOPO	a	GAS CHARGRILL, C-BOARD, 400X850X250H
588619	MBDBBBHOPO	b	GAS CHARGRILL, C-BOARD, 800X850X250H
588620	MBDCBBKOPO	c	GAS CHARGRILL, C-BOARD, 1200X850X250H
593100	MBDABBDOVO	a	GAS CHARGRILL, TOWNGAS, C-BOARD, 400X850X250H
593101	MBDBBBHOVO	b	GAS CHARGRILL, TOWNGAS, C-BOARD, 800X850X250H
589278	MCDAAADOPO	d	GAS CHARGRILL, 400X900X250H
589279	MCDAAADOPO	d	GAS CHARGRILL, C-BOARD, 400X900X250H
589280	MCDBAHOPO	e	GAS CHARGRILL, 800X900X250H
589281	MCDBABHOPO	e	GAS CHARGRILL, C-BOARD, 800X900X250H
589282	MCDCAAKOPO	f	GAS CHARGRILL, 1200X900X250H
589283	MDCCABKOPO	f	GAS CHARGRILL, C-BOARD, 1200X900X250H
593300	MCDAAADOVO	d	GAS CHARGRILL, TOWNGAS, 400X900X250H
593301	MCDAAADOVO	d	GAS CHARGRILL, TOWNGAS, C-BOARD, 400X900X250H
593302	MCDBAHOVO	e	GAS CHARGRILL, TOWNGAS, 800X900X250H
593303	MCDBABHOVO	e	GAS CHARGRILL, TOWNGAS, C-BOARD, 800X900X250H

Page	Index
2	Chargrill
4	Mechanical module
6	Gas module

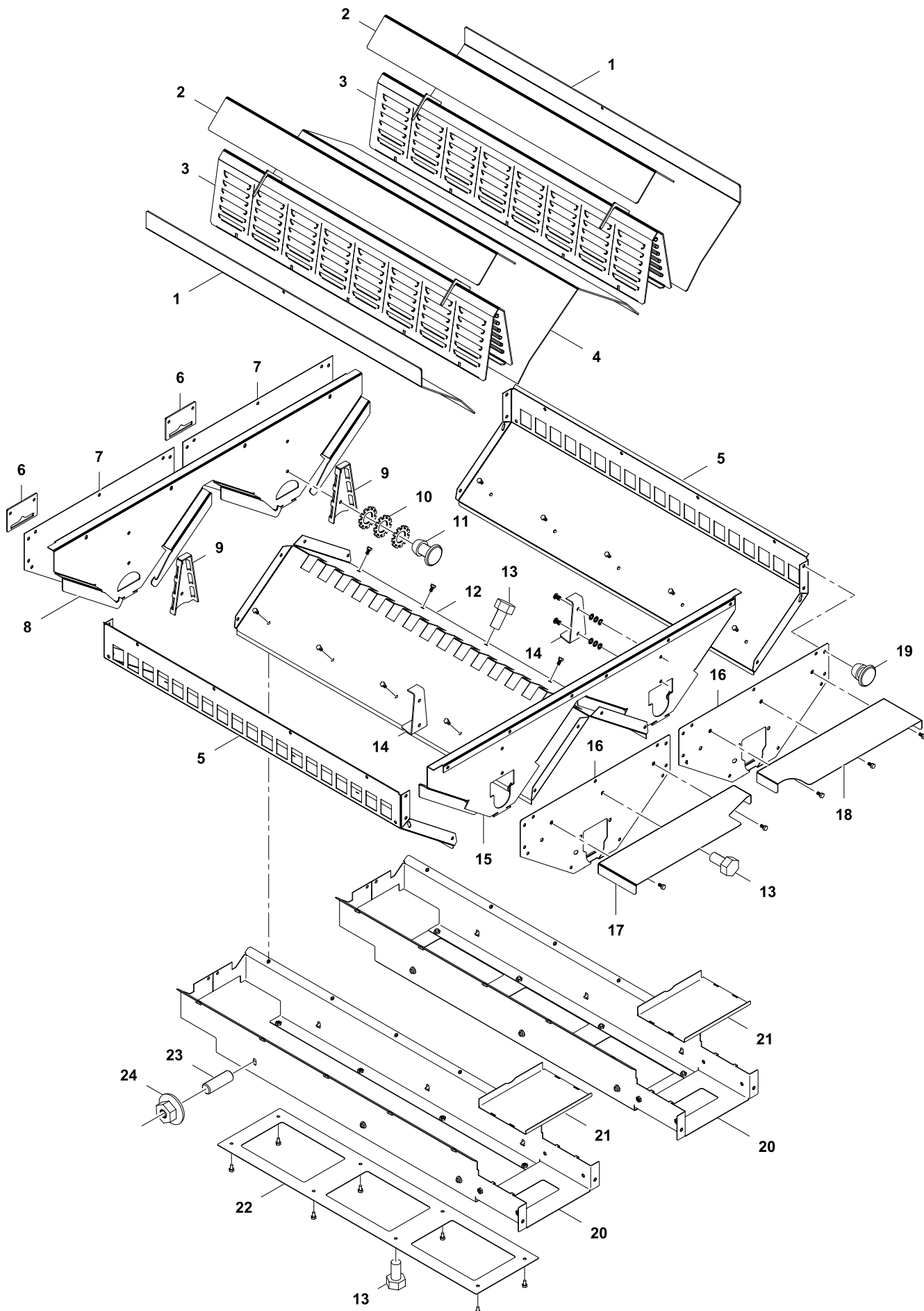
Last Updates
01/2015

Page
all

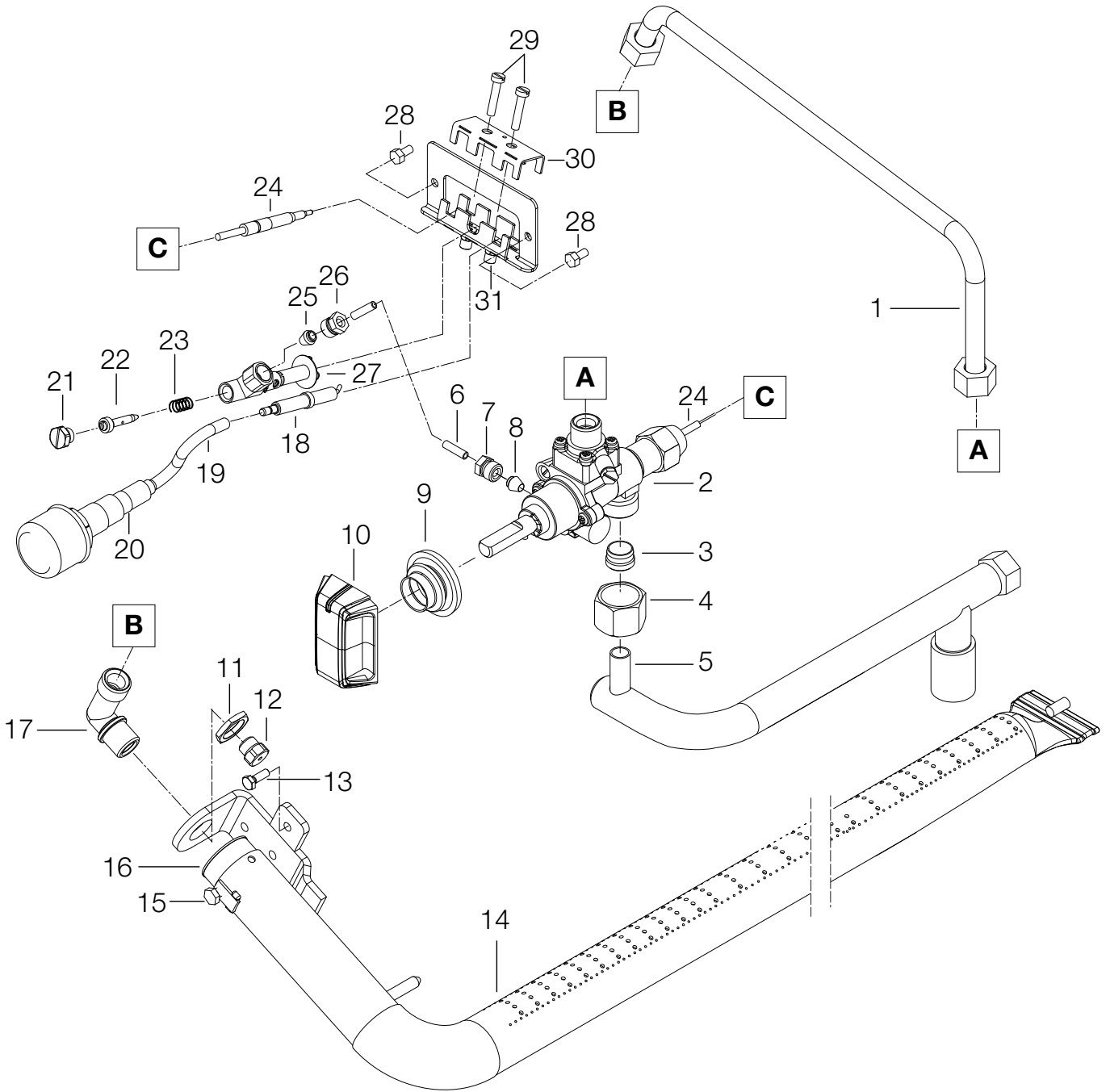
Valid from Ser. № 3101....



1	Alias	Code	Bezeichnung	Description	Ref.	Valid from Serial N°
1	82.4089		Spritzschutz rechts	Splash protection right	all types	
2	82.4091.01		Spritzschutz hinten 400mm	Splash protection back 400mm	W=400mm	
	82.4091.02		Spritzschutz hinten 800mm	Splash protection back 800mm	W=800mm	
	82.4091.03		Spritzschutz hinten 1200mm	Splash protection back 1200mm	W=1200mm	
3	82.4090		Spritzschutz links	Splash protection left	all types	
4	82.4119	OC6148	Haltegriff Grillrost	Handle	all types	
5	1 701 3008	OG6111	6-kt Mutter M5x0,8D	hex nut M5x0,8D	all types	
6	82.4118	OC7379	Grillrost 672x185	Rost 672x185	all types	
7	82.7464	OC2496	Dichtband selbstklebend	Sealing strip	all types	
8	82.1027.66	*	Bedienblende 400mm	Control panel 400mm	d	
	82.1049.80	*	Bedienblende INOX 400mm	Control panel INOX 400mm	a	
	82.1000.01	*	Blende Rückseite 400mm	Back panel 400mm	d (no C-board)	
	82.1027.82	*	Bedienblende 800mm	Control panel 800mm	e	
	82.1049.69	*	Bedienblende INOX 800mm	Control panel INOX 800mm	b	
	82.1000.05	*	Blende Rückseite 800mm	Back panel 800mm	b (no C-board)	
	82.1027.67	*	Bedienblende 1200mm	Control panel 1200mm	f	
	82.1049.87	*	Bedienblende INOX 1200mm	Control panel INOX 1200mm	c	
	82.1000.08	*	Blende Rückseite 1200mm	Back panel 1200mm	f (no C-board)	
9	1 701 1072	OG6833	Senkschraube M5x25	Screw M5x25	all types	
10	82.4323	OC9240	Piezo-Zünder	Piezo knob	all types	
	82.7446		Zündkabel Piezo-Zünder	Ignition cable piezo knob	all types	
11	82.4328	OC6886	Gucklochwippe	Cover	all D850	
12	82.4329	026187	Drehachse Gucklochwippe	Shaft	all D850	
13	75.5006.11		Schraube M4x12 USPH	Screw M4x12 USPH	all D850	
14	82.7009	OG6247	Dichtung Drehgriff	Sealing for handle	all types	
15	82.7002	OG6248	Drehgriff	Handle	all types	
	82.7004.03	OG6727	Adapter Drehgriff	Adapter for handle	all types	
16	82.4332		Schubladenfutter	Drawer	all types	
17	82.4337		Handgriff	Handle	all types	
18	82.4335		Schubladenkasten	Drawer inlet	all types	
19	1 701 2629	OG5854	Schraube 6kt M4x12	Hex bolt M4x12	all types	
20	1 701 3502	OG3595	Unterlegscheibe M4	Washer M4	all types	
21	82.4334		Frontblech	Front panel drawer	all types	
22	82.2209	OG7033	Handgriff Schublade	Handle drawer	all types	
	82.4330	OG7536	Fettschublade komplett (pos. 16-22)	Grease drawer complete (pos. 16-22)	all types	



2	Alias	Code	Bezeichnung	Description	Ref.	Valid from Serial N°
1	82.4104		Spiegelwand	Reflector	all types	
2	82.4096		Dach Heizkörper	Radiator top cover	all types	
3	82.4121	OC8656	Heizkörper	Radiator	all types	
4	82.4203		Spiegelwand mitte	Reflector middle	b c e f	
5	82.4100		Seitenwand	Side panel	all types	
6	82.4204		Halter Brenner hinten	Burner support backside	all types	
7	82.4099		Stirnblech hinten	Metal sheet backside	all types	
8	82.4103		Spiegelwand hinten 400mm	Reflector backside 400mm	W=400mm	
	82.4185		Spiegelwand hinten 800mm	Reflector backside 800mm	W=800mm	
	82.4365		Spiegelwand hinten 1200mm	Reflector backside 1200mm	W=1200mm	
9	82.4101		Halter Heizkörper hinten	Radiator support backside	all types	
10	1 701 7002	OG2923	Fächerscheibe M5	Fan washer M5	all types	
11	1 701 1094		Pop Niete 4,8x11	Rivet 4,8x11	all types	
12	82.4197		Mittelrichter	Middle adjuster	all types	
13	1 701 2503	OG5490	Schraube 6kt M4x8	Hex bolt M4x8	all types	
14	82.4109		Halter Heizkörper vorn	Radiator support frontside	all types	
15	82.4102		Spiegelwand vorn 400mm	Reflector frontside 400mm	W=400mm	
	82.4187		Spiegelwand vorn 800mm	Reflector frontside 800mm	W=800mm	
	82.4366		Spiegelwand vorn 1200mm	Reflector frontside 1200mm	W=1200mm	
16	82.4098		Stirnblech vorn	Metal sheet frontside	all types	
17	82.4219		Wärmestrahlungsschutz links	Thermal shielding panel left	all types	
18	82.4086		Wärmestrahlungsschutz rechts	Thermal shielding panel right	b c e f	
19	1 701 1093	OG6569	Pop Niete 4,8x7,6	Rivet 4,8x7,6	all types	
20	82.4084		Schubladenfach	Drawer support	all types	
21	82.4085		Deckblech	Cover sheet	all types	
22	82.4218		Boden zu Schubladenfach	Bottom drawer support	all types	
23	1 701 5532	OG7217	Gewindestift M4x12	Bolt M4x12	all types	
24	712 044120.04	OG4918	Kepsmutter M4	Keps nut M4	all types	



3	Alias	Code	Bezeichnung	Description	Ref.	Valid from Serial N°
1	82.4190		Gaszuleitung komplett rechts	Gas line complete right	W=800/1200	
	82.4191		Gaszuleitung komplett links	Gas line complete left	all types	
2	82.7040	OC8647	Gashahn Pintossi	Gas valve Pintossi	all Standard	
	712 344996		Gashahn Pintossi Town Gas	Gas valve Pintossi for town gas	all Towngas	
3	712 345053.01	OG3333	Progressivring	Clamp ring	all types	
4	712 345052.03	OKX142	Überwurfmutter	Sleeve nut	all types	
5	82.4344		Gasrampe komplett 400	Gas line complete 400	W=400mm	
	82.4188		Gasrampe komplett 800	Gas line complete 800	W=800mm	
	82.4472		Gasrampe komplett 1200	Gas line complete 1200	W=1200mm	
6	82.4327	*	Zuleitung Pilotbrenner rechts	Pilot burner gas line right	W=800/1200	
	82.4325	???	Zuleitung Pilotbrenner rechts komplett	Pilot burner gas line right complete	W=800/1200	
	82.4326	*	Zuleitung Pilotbrenner links	Pilot burner gas line left	all types	
	82.4324	???	Zuleitung Pilotbrenner links komplett	Pilot burner gas line left complete	all types	
7	1 701 2759	*	Anschlussnippel	Connection	all types	
8	1 701 2757	*	Klemmring D4	Clamp ring D4	all types	
9	82.7009	OG6247	Dichtung Drehgriff	Sealing for handle	all types	
10	82.7002	OG6248	Drehgriff	Handle	all types	
	82.7004.03	OG6727	Adapter Drehgriff	Adapter for handle	all types	
11	72.7748	O20997	Gegenmutter	Counter nut	all types	
12	See nozzle list	-	Düse Hauptbrenner	Main burner nozzle	all types	
13	1 701 2503	OG5490	Schraube 6kt M4x8	Hex bolt M4x8	all types	
14	82.4117	OC8637	Brenner 10.5kW	Burner 10.5kW	all types	
15	*	*	Stellschraube M5	Adjustng screw	all types	
16	*	*	Mischrohr	Aeration pipe	all types	
17	72.7102	OG3635	Düsenräger	Nozzle holder	all types	
18	82.4220	OC7141	Zündelegrode	Ignition electrode	all types	
19	82.7446		Zündkabel Piezo-Zünder	Ignition cable piezo knob	all types	
20	82.4323	OC9240	Piezo-Zünder	Piezo knob	all types	
21	*	*	Kappe Pilotbrenner	Cap pilot burner	all types	
22	See nozzle list	-	Düse Pilotbrenner	Nozzle pilot burner	all types	
23	*	*	Düsenfeder Pilotbrenner	Nozzle spring	all types	
24	82.7064	OG6349	Thermoelement M9x1	Thermocouple m9x1	all types	
25	1 701 2757	*	Klemmring D4 Zündbrennerleitung	Clamp ring D4 pilot gas line	all types	
26	1 701 2759	*	Anschlussnippel Zündbrennerleitung	Connection pilot gas line	all types	
27	82.4116	OC7140	Pilotbrenner komplett 3-weg	Pilot burner complete	all types	
28	1 701 2503	OG5490	Schraube 6kt M4x8	Hex bolt M4x8	all types	
29	75.5006.11		Schraube 6kt M4x12 USPH	Hex bolt M4x12 USPH	all types	
30	82.4108		Klemme Zündeinrichtung	Clamp ignition union	all types	
31	82.4107		Halter Zündeinrichtung	Support ignition union	all types	