

**LAVASTOVIGLIE SOTTOTAVOLO  
 UNDERCOUNTER DISHWASHER**
**NUC/ EUC/ KUC/ NUCA/ ZUCA/ FUCA/ EUCA**
**PRESSIONE**

Code	Type	Ref.	Pagina/ Page
400041	NUC3DD	o	2 3 4 6
400055	EUC1	a	2 3 4 6
400056	EUC1DP	c	2 3 4 6
400059	EUC3	b	2 3 4 6
400061	EUC3DP	d	2 3 4 6
400063	EUC1G	w	2 3 4 6
400064	EUC1DP60	i	2 3 4 6
400065	EUC3DD	e	2 3 4 6
400066	ZUCADDROW	a1	2 3 5 6
400067	ZUCADDROW60	a2	2 3 5 6
400068	EUCADD60	b1	2 3 5 6
400116	FUCA3DD	v	2 3 5 6
400120	NUC1DPP	a8	2 3 4 6
400121	<b>EUC1DDM60</b>	<b>b9</b>	<b>2 3 4 6</b>
400122	NUC1DUK	b4	2 3 4 6
400123	NUC1DDUK	b5	2 3 4 6
400127	KUC3	m	2 3 4 6
400128	KUC3DP	n	2 3 4 6
400130	NUC1DDRUKP	b6	2 3 4 6
400131	NUCA1GRUK	b7	2 3 5 6
400133	NUC1D	b2	2 3 4 6
400134	NUC1DD	b3	2 3 4 6

**ATMOSFERICA**

Code	Type	Ref.	Pagina/ Page
400137	EUCA1DP	a5	2 3 5 6
400138	NUC1GMS	a6	2 3 4 6
400139	EUC3DPCAG	a7	2 3 4 6
400140	NUC1	f	2 3 4 6
400141	NUC1DP	g	2 3 4 6
400144	NUC3	h	2 3 4 6
400146	NUC3DP	k	2 3 4 6
400149	NUC1DP60	q	2 3 4 6
400150	NUC1DPA	r	2 3 4 6
400151	ZUCA1	s	2 3 5 6
400152	ZUCA3	t	2 3 5 6
400153	EUCADDROW	a3	2 3 5 6
400154	EUCADDROW60	a4	2 3 5 6
400155	NUC1DPDD	b8	2 3 4 6
698005	NUCA1DDG	z	2 3 5 6
690028	NUC1G	x	2 3 4 6
698049	NUCA1DPDDG	a9	2 3 5 6

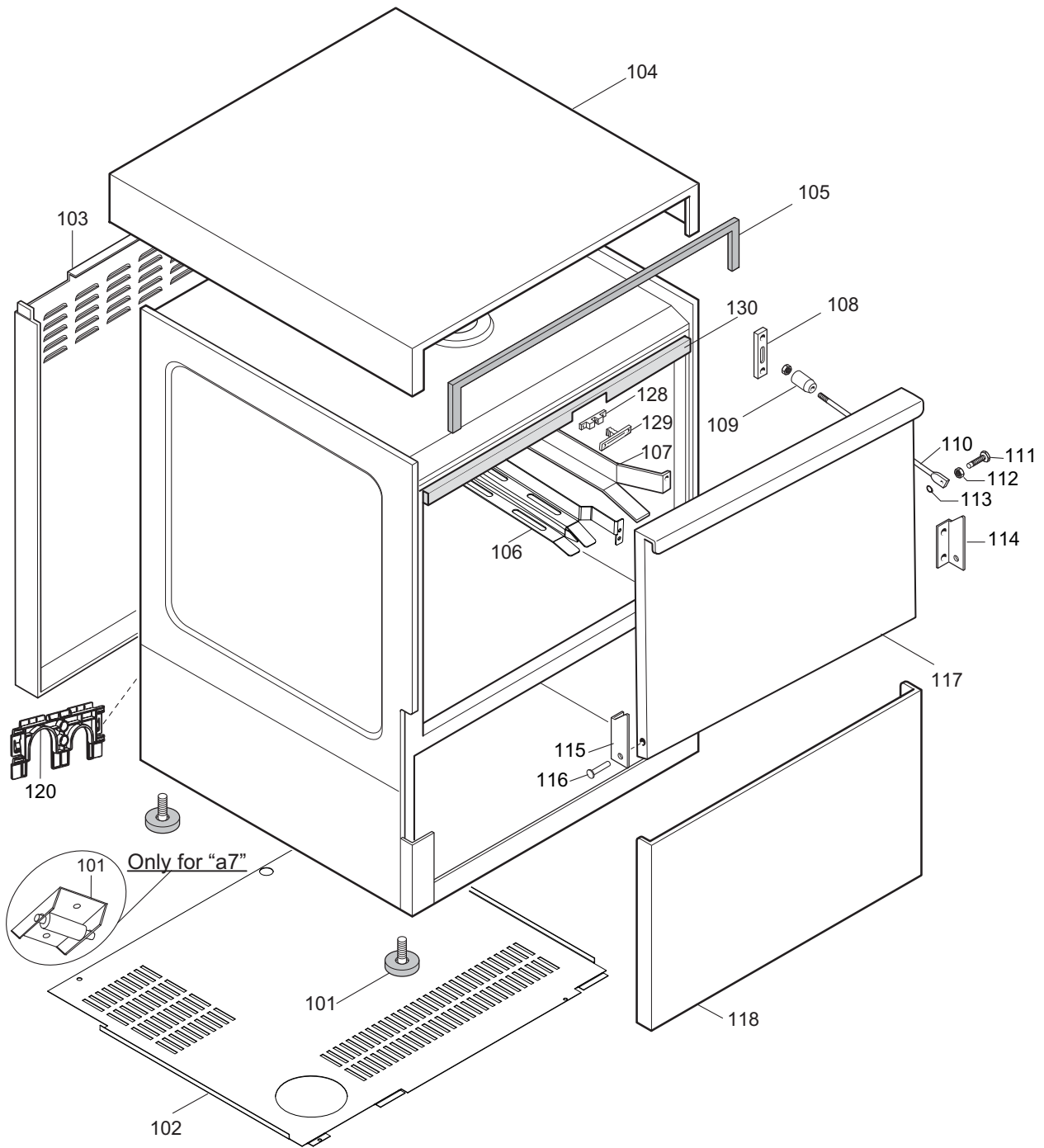
**Pagina/ Page**

2  
3  
4  
5  
6  
7 - 13

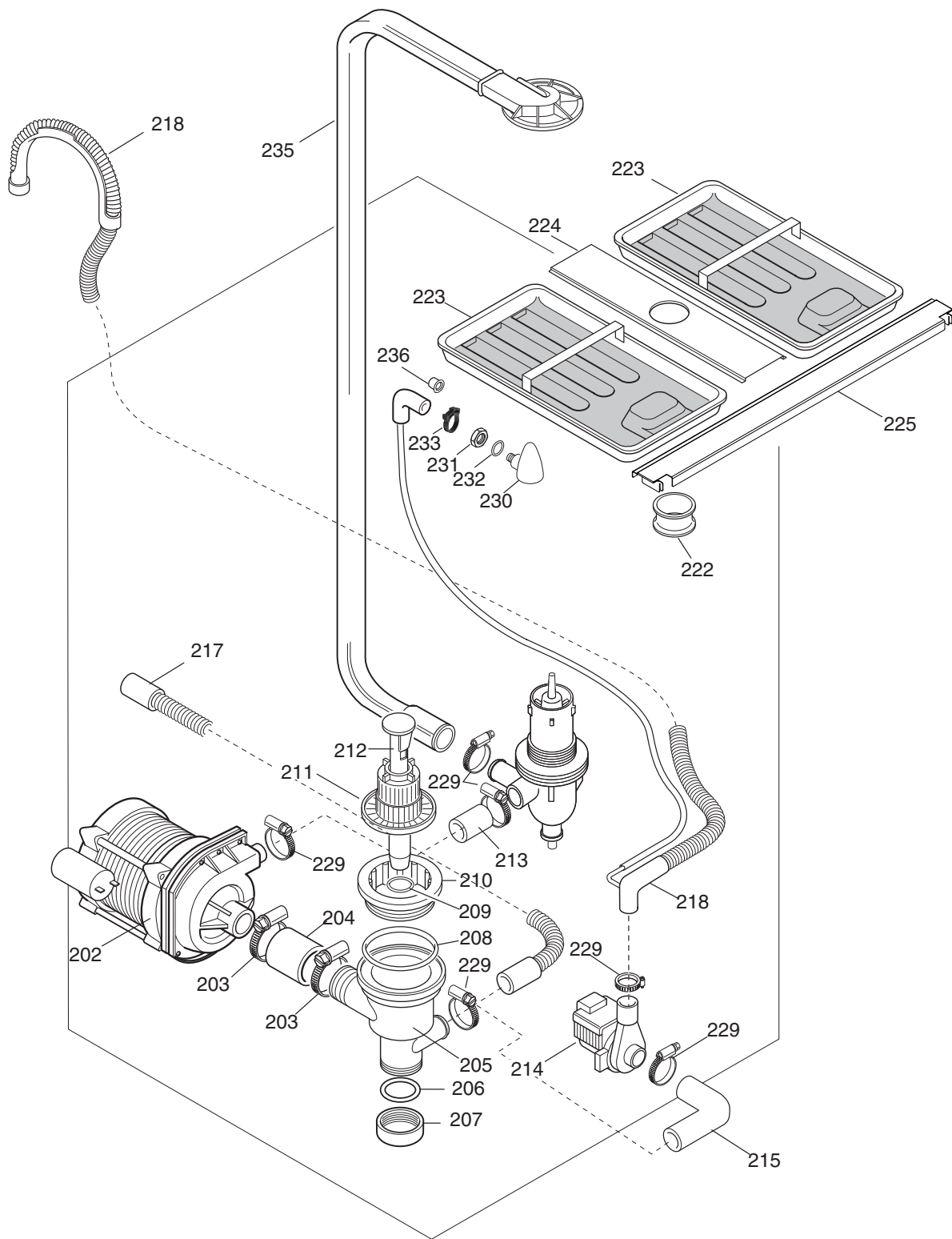
**Indice/ index**

Vista generale / Main view  
 Componenti idraulici / Hydraulic components  
 Circuito idraulico a pressione / Pressurized plumbing circuit  
 Circuito idraulico atmosferico / Atmospheric plumbing circuit  
 Componenti elettrici / Electrical components  
 Lista ricambi / Spare parts list

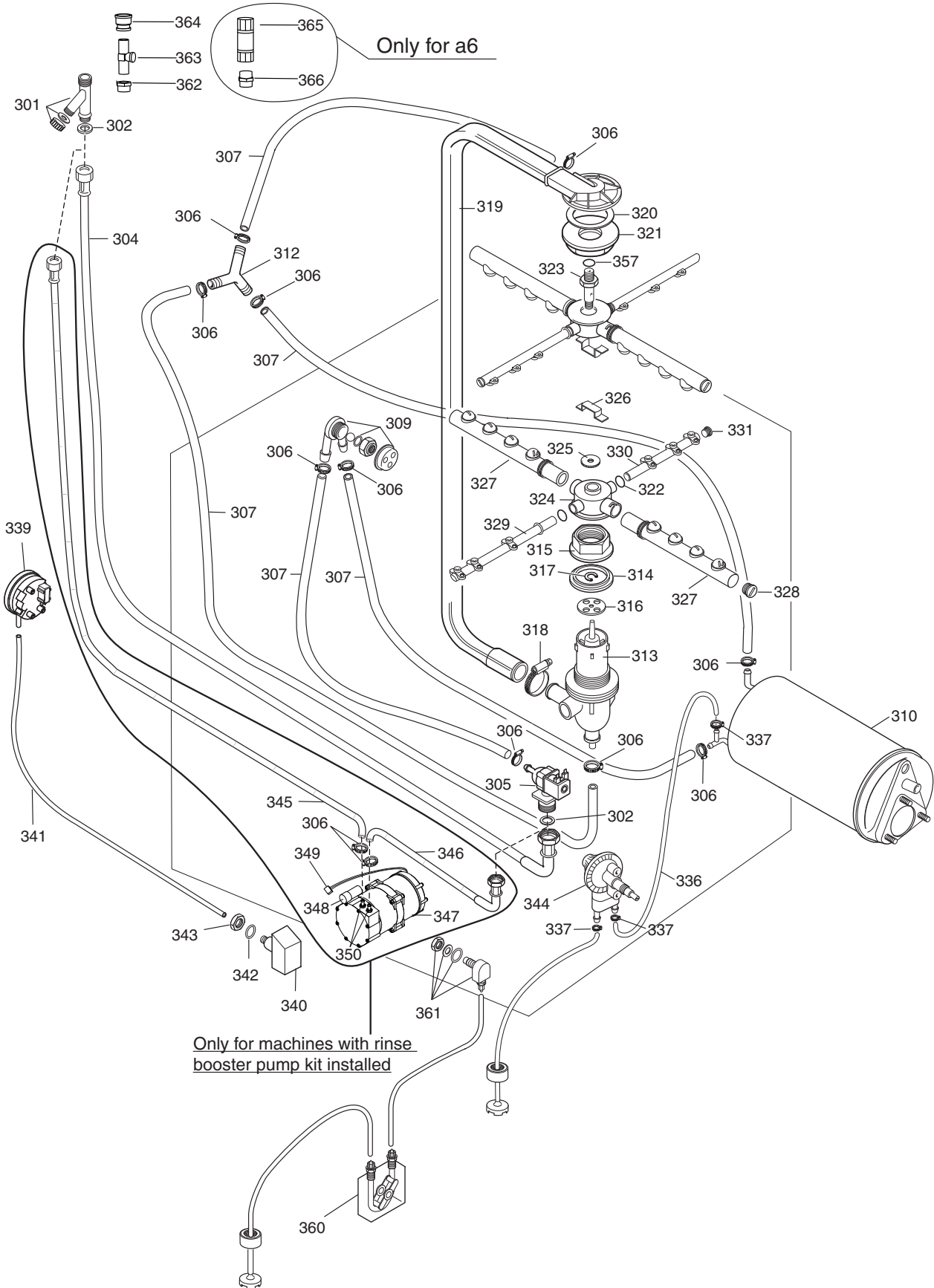
**Marchio/ Brand:** Z - A - E  
**Paese/ Country:** Tutti/ All



iii. 595665K00\_p2  
 Vista generale / Main view

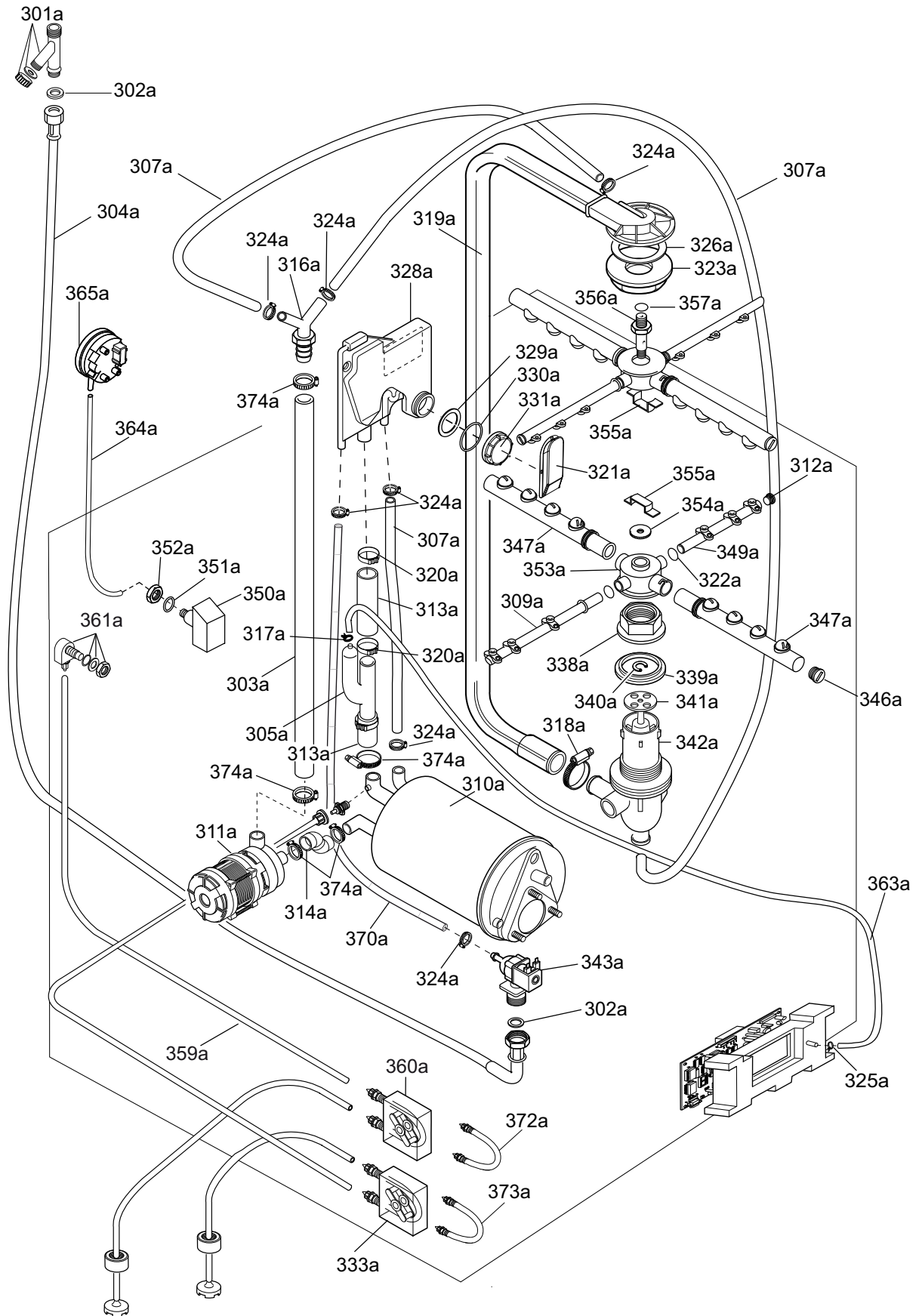


ill. 595665K00\_p3  
 Componenti idraulici / Hydraulic components



ill. 595665K00\_p4A

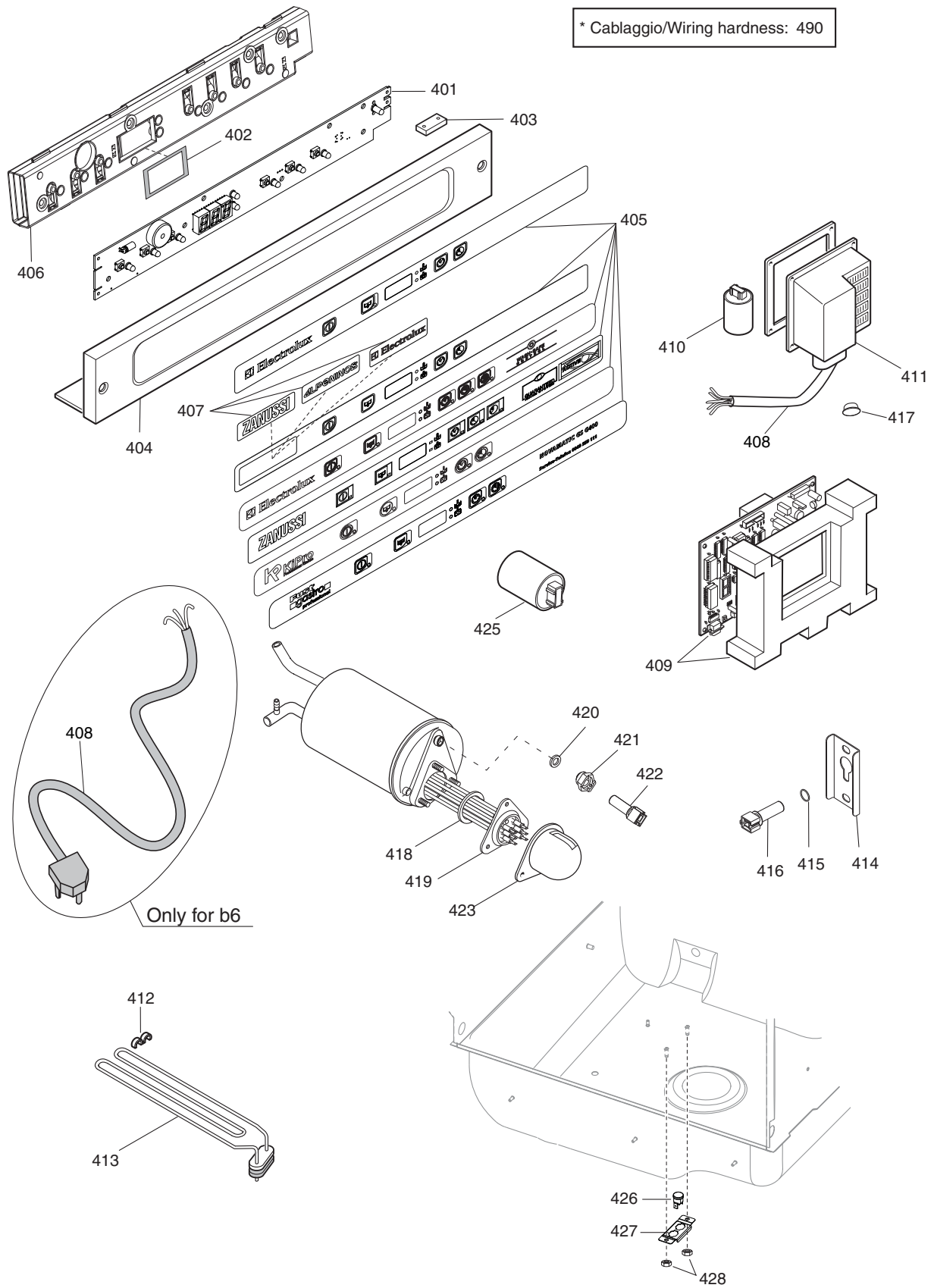
Circuito idraulico a pressione / Pressurized plumbing circuit



III. 595665K00\_p4B

Circuito idraulico atmosferico / Atmospheric plumbing circuit

\* Cablaggio/Wiring harness: 490



ill. 595665K00\_p5  
Componenti elettrici / Electrical components

Da Ser.Nr./From Ser.nr.: /839...

Page: 6 Ed. 2015-11

Doc. Nr.: 595665K00

LAVASTOVIGLIE SOTTOTAVOLO NUC/ EUC/ KUC/ NUCA/ ZUCA/ FUCA/ EUCA				Grassetto = variazioni
UNDERCOUNTER DISHWASHER NUC/ EUC/ KUC/ NUCA/ ZUCA/ FUCA/ EUCA				Bold Print = changes
Pos.	Cod.ric. Part No.	Descrizione	Description	Note / Notes
		<b>Pagina 2: Vista generale</b>	<b>Page 2: Main view</b>	<b>ill. 595665K00_p2</b>
101	049393	Piedino regolabile	Adjustable foot	
101	0L0118	Piede a rullo	Roller	a7
<b>101</b>	<b>048994</b>	<b>Piedino marine</b>	<b>Marine foot</b>	<b>b9</b>
102	OTT903	Fondo	Bottom panel	Up to Ser. Nr.: 047
102	0L2434	Fondo	Bottom panel	Up to Ser. Nr.: 048
103	0L1888	Schienale	Rear panel	Not for "s,t,v,z,a1,a2,a3,a4,a5,a9,b1,b7" Up to Ser. Nr.: 012
103	0L2070	Schienale	Rear panel	s,t,v,z,a1,a2,a3,a4,a5,a9,b1,b7 Up to Ser. Nr.: 012
103	0L1889	Schienale	Rear panel	Not for "z,a9,b7" - From Ser. Nr.: 013 Up to Ser. Nr.: 029
103	0L2567	Schienale	Rear panel	Not for "z,a9,b7" - From Ser. Nr.: 030
103	0L2433	Schienale	Rear panel	z,a9,b7 - From Ser. Nr.: 013
104	0L0122	Coperchio	Top panel	Up to Ser. Nr.: 012
104	0L0257	Coperchio	Top panel	From Ser. Nr.: 013
105	046583	Guarnizione	Gasket	
106	0L2565	Supporto cesto destro	Right basket support	a3,a6 - From Ser. Nr.: 030
106	0L2566	Supporto cesto sinistro	Left basket support	a3,a6 - From Ser. Nr.: 030
107	049272	Supporto cesto destro	Right basket support	Not for "a3,a6" - Up to Ser. Nr.: 012
107	0L2254	Supporto cesto destro	Right basket support	Not for "a3,a6" - From Ser. Nr.: 013
107	049273	Supporto cesto sinistro	Left basket support	Not for "a3,a6" - Up to Ser. Nr.: 012
107	0L2252	Supporto cesto sinistro	Left basket support	Not for "a3,a6" - From Ser. Nr.: 013
108	049285	Placca	Plate	
109	049286	Ammortizzatore	Absorber	
110	049282	Tirante	Tie rod	
111	049283	Perno per tirante	Pin, for tie rod	
112	049372	Dado autobl. basso	Locking nut, flat	
113	049284	Anello seger	C-Clamp	
114	049279	Cerniera destra	Right hinge	Up to Ser. Nr.: 012
114	0L2253	Cerniera destra	Right hinge	From Ser. Nr.: 013
115	049280	Cerniera sinistra	Left hinge	Up to Ser. Nr.: 012
115	0L2251	Cerniera sinistra	Left hinge	From Ser. Nr.: 013
116	049281	Perno cerniera	Hinge pin	Up to Ser. Nr.: 012
116	0L2255	Perno cerniera	Hinge pin	From Ser. Nr.: 013
117	049951	Porta	Door	Up to Ser. Nr.: 920
117	0L2068	Porta	Door	From Ser. Nr.: 921
118	0L1649	Pannello frontale	Front panel	Up to Ser. Nr.: 029
118	0L2568	Pannello frontale	Front panel	From Ser. Nr.: 030
119	047551	Coperchio vaschetta	Container lid	
120	0L0112	Copertura passatubi	Hoses protection	
128	049271	Scrocchetto	Snap catch	
129	049536	Nasello	Door-stop	
130	0L0021	Guarnizione	Gasket	



LAVASTOVIGLIE SOTTOTAVOLO NUC/ EUC/ KUC/ NUCA/ ZUCA/ FUCA/ EUCA				Grassetto = variazioni
UNDERCOUNTER DISHWASHER NUC/ EUC/ KUC/ NUCA/ ZUCA/ FUCA/ EUCA				Bold Print = changes
Pos.	Cod.ric. Part No.	Descrizione	Description	Note / Notes
		<b>Pagina 3: Componenti idraulici</b>	<b>Page 3: Hydraulic components</b>	<b>ill. 595665K00_p3</b>
202	<a href="#">0L0126</a>	Pompa Lavaggio	Wash pump	Not for "i,q,a2,a4,b1" - 50Hz
202	<a href="#">0L0562</a>	Pompa Lavaggio	Wash pump	i,q,a2,a4,b1 - 60Hz
203	<a href="#">0L0193</a>	Fascetta 40-60	Hose clamp 40-60	
204	<a href="#">0L0259</a>	Tubo Gomma 37x52	Hose	
205	<a href="#">048325</a>	Coll. Asp. Scarico	Drain manifold	
206	<a href="#">049828</a>	Guarniz. Tappo Ter. Sc.	Gasket	
207	<a href="#">046596</a>	Tappo Terminale Sc.	Plug; for manifold	
208	<a href="#">049894</a>	OR 4*110 Asp Sc.	O Ring	
209	<a href="#">046799</a>	OR Troppo Pieno	O Ring	
210	<a href="#">048326</a>	Ghiera collettore Asp. Sc.	Ring nut; for manifold	
211	<a href="#">048324</a>	Filtro Aspirazioene pompa	Filter; for pump	
212	<a href="#">048323</a>	Troppo pieno	Overflow pipe	a,b,f,h,m,s,t,b2,b4
212	<a href="#">048842</a>	Troppo pieno	Overflow pipe	c,d,e,g,n,o,k,r,i,q,w,x,v,z,a1,a2,a3,a4,a5,a6,a7,a8,a9,b1,b3,b5,b6,b7,b8
213	<a href="#">046257</a>	Tubo 42x52	Hose	
214	<a href="#">0L0994</a>	Pompa scarico	Drain pump	50hz - c,d,e,g,n,o,k,r,w,x,v,z,a1,a3,a5,a6,a7,a8,a9,b3,b5,b6,b7,b8 - Up to Ser. Nr.: 144
214	<a href="#">0L2133</a>	Pompa scarico	Drain pump	50hz - c,d,e,g,n,o,k,r,w,x,v,z,a1,a3,a5,a6,a7,a8,a9,b3,b5,b6,b7,b8 - From Ser. Nr.: 145
214	<a href="#">0L1131</a>	Pompa scarico	Drain pump	60hz - i,q,a2,a4,b1 - Up to Ser. Nr.: 144
214	<a href="#">0L2133</a>	Pompa scarico	Drain pump	60hz - i,q,a2,a4,b1 - From Ser. Nr.: 145
215	<a href="#">049877</a>	Manicotto asp scarico	Coupling; drain	c,d,e,f,g,k,i,n,o,q,r,w,v,x,z,a1,a2,a3,a4,a5,a6,a7,a8,a9,b1,b2,b3,b4,b5,b6,b7,b8
217	<a href="#">049856</a>	Tubo Scarico	Drain pipe	a,b,f,h,m,s,t,b2,b4
218	<a href="#">049878</a>	Tubo Scarico	Drain pipe	c,d,e,g,n,o,k,i,q,r,w,x,v,z,a1,a2,a3,a4,a5,a6,a7,a8,a9,b1,b3,b5,b6,b7,b8
222	<a href="#">0L0078</a>	Supporto Filtro	Filter support	z,a1,a2,a3,a4,a6,a9,b1,b7
223	<a href="#">049908</a>	Filtro Vasca	Tank filter	z,a1,a2,a3,a4,a6,a9,b1,b7
224	<a href="#">0L2431</a>	Supporto Centrale filtri	Central support for filters	z,a1,a2,a3,a4,a6,a9,b1,b7
225	<a href="#">0L2430</a>	Supporto Anteriore filtri	Front support for filters	z,a1,a2,a3,a4,a6,a9,b1,b7
229	<a href="#">046878</a>	Fascetta 35-50	Hose clamp 35-50	
230	<a href="#">048853</a>	Nasello per vasca	Spigot; air relief	
231	<a href="#">049268</a>	Dado ES.M14X1,5	Nut; M14x1,5	
232	<a href="#">068642</a>	OR 3062; 2,62X15,54	O Ring	
233	<a href="#">046946</a>	Fasc. Torro. W2 8-12/7,5 IVP	Hose clamp 8-12	Up to Ser: 2014-49
233	<a href="#">0L3522</a>	Fasc. in plastica con crichetto	Herbie Clip nylon hose clamp	Up to Ser: 2014-50
235	<a href="#">0L0125</a>	Tubo Lavaggio	Wash pipe	
236	<a href="#">049849</a>	Tappo ingresso det.	Plug inlet det.	



LAVASTOVIGLIE SOTTOTAVOLO NUC/ EUC/ KUC/ NUCA/ ZUCA/ FUCA/ EUCA				Grassetto = variazioni
UNDERCOUNTER DISHWASHER NUC/ EUC/ KUC/ NUCA/ ZUCA/ FUCA/ EUCA				Bold Print = changes
Pos.	Cod.ric. Part No.	Descrizione	Description	Note / Notes
		<b>Pagina 4: Circuito idraulico a pressione</b>	<b>Page 4: Pressurized plumbing circuit</b>	<b>ill. 595665K00_p4A</b> <b>Not for "s,t,v,z,a1,a2,a3,a4,a5,a9,b1,b7"</b>
301	048834	Assieme filtro	Filter assembly	
302	0L1945	Guarnizione	Gasket	
304	0L1887	Tubo alimentazione	Supply pipe	
305	048817	Elettrovalvola	Electrovalve	
306	048126	Fascetta 13-20	Hose clamp 13-20	
307	048531	Tubo	Hose	
309	0L1892	Valvola DVGW, compl.	DVGW Valve, compl.	
310	0L1890	Boiler	Boiler	Up to Ser. Nr.: 920
310	0L0352	Boiler	Boiler	From Ser. Nr.: 921
312	048195	Raccordo 3 vie	3 way connection	
313	049290	Supporto getti, inferiore	Jets support, lower	
314	048236	Guarnizione	Gasket	
315	048330	Ghiera, fiss. supporto getti	Ring nut, jets support locking	
316	048820	Parzializzatore	Flow reducer	
317	048979	Anello	O-ring	
318	046878	Fascetta 38-50	Hose clamp 38-50	
319	0L0125	Tubo collegamento getti	Connection pipe for wash jets	
320	0L0110	Guarnizione Supp. Getti Sup.	Gasket	
321	048824	Ghiera	Ring nut	
322	047473	O-Ring 2056- 1,78x14,00	O-Ring	
323	049292	Perno, per supporto getti	Pin, for jets support	
324	049293	Assieme mozzo, per getti	Hub assembly, for jets	
325	047282	Rondella di fermo	Lock washer	
326	049294	Protezione rondella	Washer bracket	
327	049295	Assieme getto di lavaggio	Wash jet assembly	
328	049296	Tappo, per getti lavaggio	Plug, for wash jets	
329	049297	Getto risciacquo, lungo	Rinse jet, long	
330	049298	Getto risciacquo, corto	Rinse jet, short	
331	049299	Tappo, per getti risciacquo corti	Plug, for short rinse jets	
334	067292	Guarnizione	Gasket	
336	048883	Tubo	Pipe	
337	046946	Fascetta 8-12	Hose clamp 8-12	
339	049881	Pressostato	Pressure switch	
340	048308	Trappola d'aria per pressost.	Air trap	
341	049904	Tubo	Hose	
342	068642	OR 2062x15.54	O Ring	
343	049268	Dado M14x1.5	Nut; M14x1,5	
344	0L0094	Dosatore idraulico	Rinse aid dispenser	Up to Ser. nr. 347 - Not for f,g,h,k,m,n,o,q,x,a6,a7,a8,b4,b5,b6
344	0L3182	Dosatore idraulico	Rinse aid dispenser	From to Ser. nr. 348 - Only for f,g,h,k,m,n,o,q,x,a6,a7,a8,b2,b4,b5,b6

LAVASTOVIGLIE SOTTOTAVOLO NUC/ EUC/ KUC/ NUCA/ ZUCA/ FUCA/ EUCA UNDERCOUNTER DISHWASHER NUC/ EUC/ KUC/ NUCA/ ZUCA/ FUCA/ EUCA				Grassetto = variazioni Bold Print = changes
Pos.	Cod.ric. Part No.	Descrizione	Description	Note / Notes
345	<a href="#">0L2394</a>	Tubo ingresso acqua	Water inlet pipe	<u>Rinse booster pump kit</u>
346	<a href="#">0L2389</a>	Tubo uscita pompa	Pump outlet pipe	<u>Rinse booster pump kit</u>
347	<a href="#">0L2391</a>	Pompa + condensatore	Pump + capacitor	<u>Rinse booster pump kit</u>
348	<a href="#">049126</a>	Condensatore	Capacitor	8 µF - <u>Rinse booster pump kit</u>
349	<a href="#">0L2392</a>	Cavetto di terra	Ground cable	<u>Rinse booster pump kit</u>
350	<a href="#">0L2393</a> <a href="#">0L2390</a>	Portagomma G 3/8" M (Pompa + condensatore) + cavetto di terra+portagomma	Fitting G 3/8" M (Pump + capacitor) + ground cable + fitting	<u>Rinse booster pump kit</u> (pos. 347 + pos. 349 + pos. 350) <u>Rinse booster pump kit</u>
357	047986	O-Ring 2050 - 1,78x12,42	O-Ring	
360	<a href="#">0L0696</a>	Pompa detergente	Pump; detergent	Up to Ser: 2014-19 e,o,w,x,a6,b2,b4,b5,b6,b8
<b>360</b>	<b><a href="#">0S1711</a></b>	<b>Pompa detergente</b>	<b>Pump; detergent</b>	<b>From to Ser: 2014-20</b> <b>e,o,w,x,a6,b2,b4,b5,b6,b8,b9</b>
<b>361</b>	<b><a href="#">049801</a></b>	<b>Iniettore detergente</b>	<b>Injection spigot</b>	<b>e,o,w,x,a6,b9</b>
362	<a href="#">0L0262</a>	Riduzione M.3/4" - F.1/2"	Adapter M.3/4" - F.1/2"	w,x - From Ser. Nr.: 014
363	<a href="#">0L0264</a>	Valvola di non ritorno	No back-flow valve	w,x - From Ser. Nr.: 014
364	<a href="#">0L0263</a>	Manicotto F.3/4"- F.1/2"	Coupling F.3/4"- F.1/2"	w,x - From Ser. Nr.: 014
365	<a href="#">0L2980</a>	Doppia valvola di non ritorno	Double no back-flow valve	a6 - From Ser. Nr. 316
366	<a href="#">072457</a>	Raccordo M.3/4" - M.3/4"	Coupling M.3/4"- M.3/4"	a6 - From Ser. Nr. 316
		<b>Pagina 4: Circuito idraulico atmosferico</b>	<b>Page 4: Atmospheric plumbing circuit</b>	<b>ill. 595665K00_p4B</b> <b>Only for "s,t,v,z,a1,a2,a3,a4,a5,a9,b1, b7"</b>
301a	<a href="#">048834</a>	Assieme filtro	Filter assembly	
302a	<a href="#">0L1945</a>	Guarnizione	Gasket	
303a	<a href="#">049773</a>	Tubo Ø 26x37	Pipe Ø 26x37	660 mm
304a	<a href="#">0L1887</a>	Tubo alimentazione	Feed hose	
305a	<a href="#">0L0098</a>	Trappola d'aria	Air trap	
307a	<a href="#">048531</a>	Tubo	Hose	
309a	<a href="#">049297</a>	Getto risciacquo, lungo	Rinse jet, long	
310a	<a href="#">0L1891</a>	Boiler	Boiler	Up to Ser. Nr.: 820
310a	<a href="#">0L0351</a>	Boiler	Boiler	From Ser. Nr.: 821
311a	<a href="#">0L2597</a>	Pompa risciacquo	Rinse pump	Not for "a2,a4,b1"- 50 Hz
311a	<a href="#">0L2598</a>	Pompa risciacquo	Rinse pump	a2,a4,b1 - 60 Hz
312a	<a href="#">049299</a>	Tappo per getti risciacquo	Pipe for rinse jet	
313a	049287	Tubo Ø 25,5X32	Pipe Ø 25,5X32	
314a	<a href="#">0L2064</a>	Manicotto aspirazione	Suction hose	
316a	<a href="#">0L0365</a>	Raccordo 3 vie	3 way connection	
317a	<a href="#">0L0083</a>	Fascetta 9,3/9,9	Hose clamp 9,3/9,9	
318a	<a href="#">046878</a>	Fascetta 38-50	Hose clamp 38-50	
319a	<a href="#">0L0125</a>	Tubo collegamento getti	Connection pipe for wash jets	
320a	<a href="#">0L0367</a>	Fascetta Cobra	Hose clamp	
321a	<a href="#">0L2560</a>	Protezione ghiera	Guard ring nut	
322a	<a href="#">047473</a>	OR 2056- 1,78x14,00	O Ring	
323a	<a href="#">048824</a>	Ghiera	Ring nut	

LAVASTOVIGLIE SOTTOTAVOLO NUC/ EUC/ KUC/ NUCA/ ZUCA/ FUCA/ EUCA				Grassetto = variazioni
UNDERCOUNTER DISHWASHER NUC/ EUC/ KUC/ NUCA/ ZUCA/ FUCA/ EUCA				Bold Print = changes
Pos.	Cod.ric. Part No.	Descrizione	Description	Note / Notes
324a	<b>048126</b>	Fascetta 12-22	Hose clamp 12-22	
325a	<b>0L0082</b>	Fascetta Ø 7,3/7,8	Hose clamp Ø 7,3x7,8	
326a	<b>0L0110</b>	Guarnizione	Gasket	
328a	<b>0L2666</b>	Air Gap	Air Gap	s,t,v,a1,a2,a3,a4,a5,b1
328a	<b>0L2435</b>	Air Gap UK	Air Gap UK	z,a9,b7
329a	<b>049828</b>	Guarnizione	Gasket	
330a	<b>049460</b>	OR 3212-2,62x53,65	O Ring	
331a	<b>049480</b>	Ghiera per Air Gap	Air Gap nut	
333a	0L0697	Pompa peristaltica brillantante	Pump; rinse aid	Up to Ser: 2014-19 t,v,a1,a2,a3,a4,a5,b1
333a	<b>0S1713</b>	Pompa peristaltica brillantante	Pump; rinse aid	From to Ser: 2014-20 t,v,a1,a2,a3,a4,a5,b1,b7
338a	<b>048330</b>	Ghiera, fiss. supporto getti	Ring nut, jets support locking	
339a	<b>048236</b>	Guarnizione	Gasket	
340a	<b>048979</b>	Anello seger	C-Clamp	
341a	<b>048820</b>	Parzializzatore	Flow reducer	
342a	<b>049290</b>	Supporto getti, inferiore	Jets support, lower	
343a	0L2065	Elettrovalvola 10 l/min	Electrovalve 10 l/min	s,t,v,a1,a2,a3,a4,a5,b1
343a	049452	Elettrovalvola 5.5 l/min	Electrovalve 5.5 l/min	z,a9,b7
346a	<b>049296</b>	Tappo, per getti lavaggio	Plug, for wash jets	
347a	<b>049295</b>	Assieme getto di lavaggio	Wash jet assembly	
349a	<b>049298</b>	Getto risciacquo, corto	Rinse jet, short	
350a	<b>048308</b>	Trappola d'aria per pressost.	Air trap	
351a	<b>068642</b>	OR 2062x15.54	O Ring	
352a	<b>049268</b>	Dado M14x1.5	Nut; M14x1,5	
353a	<b>049293</b>	Assieme mozzo, per getti	Hub assembly, for jets	
354a	<b>047282</b>	Rondella di fermo	Lock washer	
355a	<b>049294</b>	Protezione rondella	Washer bracket	
356a	<b>049292</b>	Perno, per supporto getti	Pin, for jets support	
357a	047986	O-Ring 2050 - 1,78x12,42	O-Ring	
359a	049360	Tubo mandata; rigido	Delivery hose; rigid	
360a	<b>0L0696</b>	Pompa detergente	Pump; detergent	Up to Ser: 2014-19 v,z,a1,a2,a3,a4,a9,b1,b7
360a	<b>0S1711</b>	Pompa detergente	Pump; detergent	From to Ser: 2014-20 v,z,a1,a2,a3,a4,a9,b1,b7
361a	<b>049801</b>	Iniettore detergente	Iniection spigot	v,z,a1,a2,a3,a4,a9,b1,b7
363a	<b>072393</b>	Tubo Ø 4x7,4	Hose Ø 4x7,4	
364a	<b>049904</b>	Tubo	Hose	
365a	<b>049881</b>	Pressostato	Pressure switch	
370a	<b>048531</b>	Tubo EPDM 12x19.5	Hose 12x19.5	s,t,v,a1,a2,a3,a4,a5,b1
370a	049379	Tubo 12x19.5 WRC	Hose 12x19.5 WRC	z,a9,b7
372a	<b>049419</b>	Tubo; interno, pompa detergente	Hose; internal detergent pump	
373a	<b>049418</b>	Tubo; interno, pompa brill.	Hose; internal rinse aid pump	
374a	<b>047578</b>	Fascetta Ø 25/40	Hose clamp Ø 25/40	

LAVASTOVIGLIE SOTTOTAVOLO NUC/ EUC/ KUC/ NUCA/ ZUCA/ FUCA/ EUCA UNDERCOUNTER DISHWASHER NUC/ EUC/ KUC/ NUCA/ ZUCA/ FUCA/ EUCA				Grassetto = variazioni Bold Print = changes
Pos.	Cod.ric. Part No.	Descrizione	Description	Note / Notes
		<b>Pagina 5: Componenti elettrici</b>	<b>Page 5: Electrical components</b>	<b>ill. 595665K00_p5</b>
401	0L1565	Interfaccia utente	User Interface	
402	0L1943	Guarnizione display	Display gasket	
403	0L1871	Sensore reed	Sensor	
404	0L1667	Cruscotto	Control panel	Not for "s,t,a1,a2,a3,a4,a5,b1"
404	0L2069	Cruscotto	Control panel	s,t,a1,a2,a3,a4,a5,b1
<b>405</b>	<b>0L1663</b>	<b>Membrana adesiva neutra</b>	<b>Neutral stick membrane</b>	<b>f,g,h,o,k,q,r,x,z,a6,a8,a9,b2,b4,b7,b9</b>
405	0L1661	Membrana adesiva - Electrolux	Membrane - Electrolux	a,b,c,d,e,w,a7,b1
405	0L1653	Membrana adesiva - Zanussi	Membrane - Zanussi	s,t,a1,a2
405	0L1650	Membrana adesiva - Electrolux	Membrane - Electrolux	a3,a4,a5
405	0L2388	Membrana adesiva - Fust	Membrane - Fust	v
405	0L2142	Membrana adesiva - Kipro	Membrane - Kipro	m,n
406	0L1567	Copertura interfaccia utente	User interface cover	
407	0L1664	Adesivo Zanussi	Sticker Zanussi	
407	0L1665	Adesivo Alpeninox	Sticker Alpeninox	
407	54864AK00	Adesivo Electrolux	Sticker Electrolux	
408	0L2055	Cavo H07RNF 3x2,5MMQ	Pipe H07RNF 3x2,5MMQ	a,c,f,g,i,q,w,x,a6,a8,b2,b3,b4,b5,b6,b8
408	0L0024	Cavo H07RNF 3x2,5MMQ	Pipe H07RNF 3x2,5MMQ	s,a5
408	0L2432	Cavo H07RNF 3x6MMQ	Pipe H07RNF 3x6MMQ	z,a9,b7
408	0L0026	Cavo H07RNF 4x2,5MMQ	Pipe H07RNF 4x2,5MMQ	a2,a4,b1
408	0L0025	Cavo H07RNF 5x2,5MMQ	Pipe H07RNF 5x2,5MMQ	b,d,e,h,m,n,o,k,t,v,a1,a3,a7
408	0C3632	Cavo H07RNF 3x2,5MMQ	Pipe H07RNF 3x2,5MMQ	b6
409	0L2583	Scheda madre	Main board	b,d,e,h,m,n,o,k,s,t,v,z,a1,a2,a3,a4,a5, a7,a9,b1,b7
409	0L2582	Scheda madre	Main board	a,c,f,g,i,q,r,w,x,a6,a8,b2,b3,b4,b5,b6,b8
410	049303	Filtro RFI trifase	RFI filter; three phase	b,d,e,h,m,n,o,k,t,v,z,a1,a2,a3,a4,a7,a9,b1, b7 - Up to Ser. Nr.: 213
410	049977	Filtro RFI monofase	RFI filter; single phase	a,c,f,g,i,q,s,w,x,a5,a6,a8,b2,b3,b4,b5,b6, b8 - Up to Ser. Nr.: 235
411	0L0127	Morsettiera Princ. Monofase	Junction box	a,c,f,g,i,q,r,w,x,s,a5,a6,a8,b2,b3,b4,b5, b6,b8
411	0L0111	Morsettiera Princ. Trifase	Junction box	b,d,e,h,m,n,o,k,t,v,z,a1,a2,a3,a4,a7,a9, b1,b7
412	048429	Fissaggio Res. Vasca	Bracket	
413	049954	Res. Vasca 2000W-230V	Heating element; 230v, 2,0kw	Up to Ser. Nr.: 946
413	0L2109	Res. Vasca 2000W-230V	Heating element; 230v, 2,0kw	Not for "a1,a2,a3,a4,b1" From Ser. Nr.: 947
413	0L2439	Res. Vasca 2000W-230V	Heating element; 230v, 2,0kw	a1,a2,a3,a4,b1 - From Ser. Nr.: 048
414	0L0366	Supp Sensore	Support; sensor	
415	0L2303	OR 2037	O Ring	
416	049643	Sensore NTC	Sensor	

LAVASTOVIGLIE SOTTOTAVOLO NUC/ EUC/ KUC/ NUCA/ ZUCA/ FUCA/ EUCA				Grassetto = variazioni
UNDERCOUNTER DISHWASHER NUC/ EUC/ KUC/ NUCA/ ZUCA/ FUCA/ EUCA				Bold Print = changes
Pos.	Cod.ric. Part No.	Descrizione	Description	Note / Notes
417	<a href="#">0L3368</a>	Tappo morsettiara	Barrel Plug	b6
418	<a href="#">0L2765</a>	OR 6187 D=5.34MM	O Ring	
419	<a href="#">049955</a>	Res. Flangiata 4500W 230V	Heating element 4,5KW 230V	b,d,e,h,m,n,o,k,a7 - Up to Ser. Nr.: 017
419	<a href="#">0L2652</a>	Res. Flangiata 4500W 230V	Heating element 4,5KW 230V	b,d,e,h,m,n,o,k,a7 - From Ser. Nr.: 018
419	<a href="#">049955</a>	Res. Flangiata 4500W 230V	Heating element 4,5KW 230V	t,v,w,x,z,a9,b7 - Up to Ser. Nr.: 002
419	<a href="#">0L2652</a>	Res. Flangiata 4500W 230V	Heating element 4,5KW 230V	t,v,w,x,z,a9,b7 - From Ser. Nr.: 003
419	<a href="#">0L2770</a>	Res. Flangiata 4500W 230V	Heating element 4,5KW 230V	a1,a2,a3,a4,b1 - From Ser. Nr.: 048
419	<a href="#">049980</a>	Res. Flangiata 2800W 230V	Heating element 2,8KW 230V	a,c,f,g,i,q,r,s,a5,a8,b2,b3,b5,b6,b8
419	<a href="#">0L2652</a>	Res. Flangiata 4500W 230V	Heating element 4,5KW 230V	b4,b5b6 (connect only one heating element leg)
420	<a href="#">0L2303</a>	OR 2037	O Ring	
421	<a href="#">0L0280</a>	Premistoppa	Stuffing box	
422	<a href="#">049643</a>	Sonda di Temperatura	Temp. sound	
423	065560	Cappuccio	Protection cap	
425	<a href="#">049901</a>	Filtro induttivo-cap.; monofase	Filter; single phase	b,d,e,h,m,n,o,k,t,v,z,a1,a2,a3,a4,a7,a9, b1,b7
<b>426</b>	<b><a href="#">0L2895</a></b>	<b>Klixon</b>	<b>Klixon</b>	
<b>427</b>	<b><a href="#">0L2894</a></b>	<b>Supporto klixon</b>	<b>Klixon support</b>	
<b>428</b>	<b><a href="#">0C8219</a></b>	<b>Dado M5</b>	<b>M5 Nut</b>	
490	0L2485	Cablaggio	Wiring harness	a,c,f,g,i,q,r,w,x,s,a5,a6,a8,b2,b3,b4,b5, b6,b8
490	0L2486	Cablaggio	Wiring harness	b,d,e,h,m,n,o,k,t,v,z,a7,a9,b7
490	0L2438	Cablaggio	Wiring harness	a1,a2,a3,a4,b1