

Modular Platform

Viale Treviso, 15
33170 Pordenone - Italy
Fax: +39 0434-380577

FRYTOP ELETTRICO N700
ELECTRIC FRYTOP N700

PNC	Model	Ref.	Page	Notes
178 359	ORV/E 1FL	a	1-2	FRY TOP-SMOOTH PLATE 400MM
178 360	ORV/E 1FR	b	1-2	FRY TOP RIBBED PLATE 400MM
178 361	ORV/E1 CL	c	1-2	FRY TOP-SMOOTH CHR.PLATE 400MM
178 362	ORV/E2 FL	d	1-2	FRY TOP-SMOOTH PLATE 800MM
178 363	ORV/E2 FM	e	1-2	FRY TOP-SMOOTH +RIBBED PLATE800MM
178 364	ORV/E2 CL	f	1-2	FRY TOP-SMOOTH CHR.PLATE 800MM
178 371	OR/E2CM	g	1-2	FRYTOP-SMOOTH+RIBBED CHR PLATE 800MM

Pag. 1
Pag. 2

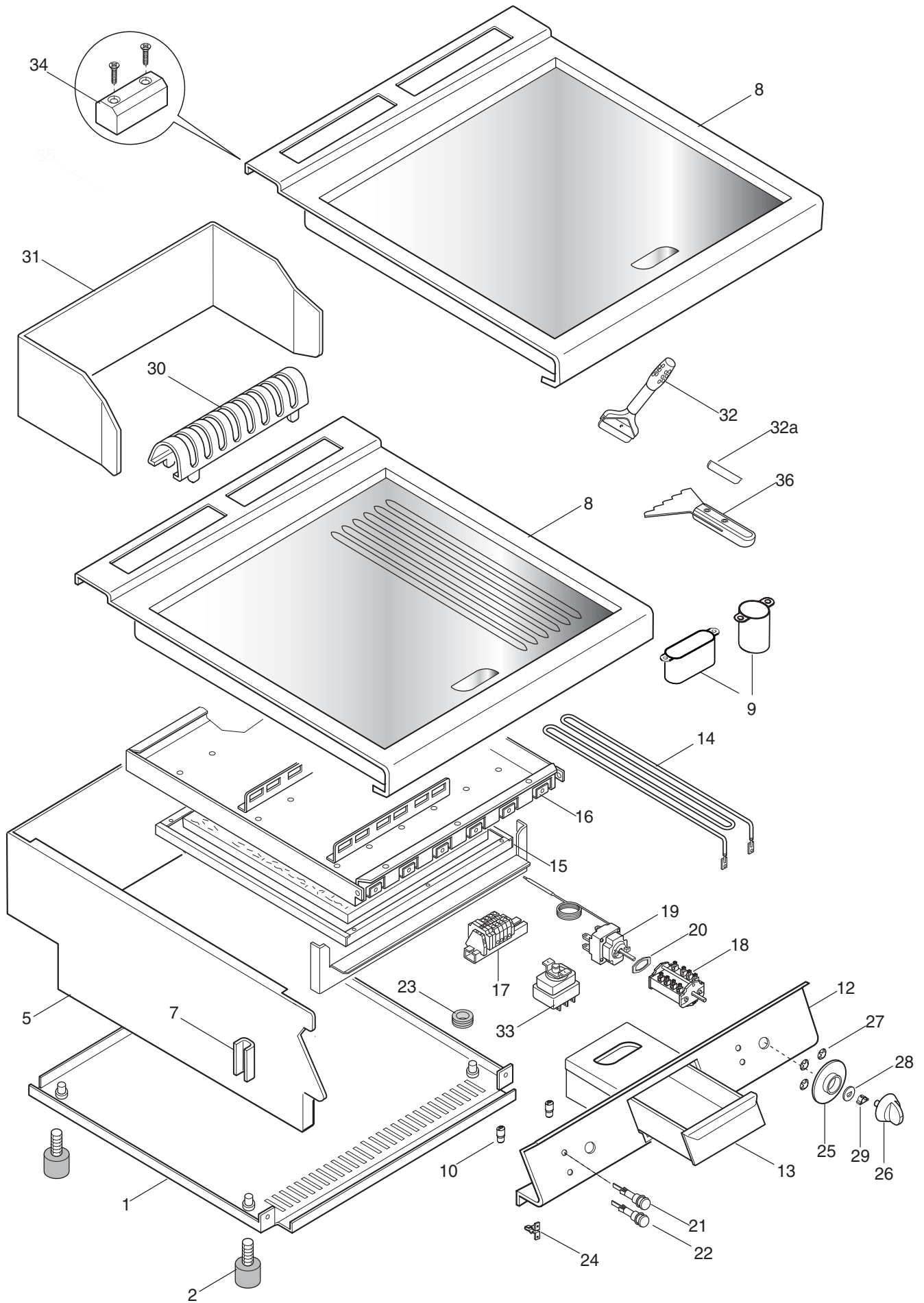
Index

Frame and components
Spare parts list

Indice

Struttura e componenti
Lista ricambi

Brand / Marchio : Alpeninox
Factory code: 9PDX



FRYTOP ELETTRICO N700
ELECTRIC FRYTOP N700

FRYTOP ELETTRICO N700
ELECTRIC FRYTOP N700

PNC	Model	Ref.	Notes
178 359	ORV/E1FL	a	FRY TOP-SMOOTH 400MM
178 360	ORV/E1FR	b	FRY TOP RIBBED PLATE 400MM
178 361	ORV/E1CL	c	FRY TOP-SMOOTH CHR. 400MM
178 362	ORV/E2 FL	d	FRY TOP-SMOOTH PLATE 800MM
178 363	ORV/E2FM	e	FRY TOP-SMOOTH + RIBBED PLATE800MM
178 364	ORV/E2CL	f	FRY TOP-SMOOTH CHR.PLATE 800MM
178 371	OR/E2CM	g	FRY TOP-SMOOTH+RIBBED CHROME PLATE800MM

Pos	Factory Code	6DGT Code	Descrizione	Description	Ref./ Notes
			Pagina 1	Page 1	
1	0533832200	*	FONDO 400 mm	BOTTOM PANEL 400mm	a b c till s/n 802
	0530865000	*	FONDO 400 mm	BOTTOM PANEL 400mm	a b c since s/n 802
	0533832300	*	FONDO 800 mm	BOTTOM PANEL 800mm	d e f g till s/n 802
	0530865100	*	FONDO 800 mm	BOTTOM PANEL 800mm	d e f g since s/n 802
2	0315252601	026806	PIEDINO CON VITE	SCREW FOOT FOR TOP	
5	0532819700	*	RIVESTIMENTO LATERALE 400mm	EXTERNAL PANEL 400 mm	a b c till s/n 802
	0530867000	*	RIVESTIMENTO LATERALE 400mm	EXTERNAL PANEL 400 mm	a b c since s/n 802
	0522889100	*	RIVESTIMENTO LATERALE 800mm	EXTERNAL PANEL 800 mm	d e f g till s/n 802
	0530867100	*	RIVESTIMENTO LATERALE 800mm	EXTERNAL PANEL 800 mm	d e f g since s/n 802
7	0527850500	0C0156	PIASTRA FISSAGGIO FIANCHI	SIDE PANEL JOINTING PLATE	
8	0870861000	0C3385	RIPIANO PIASTRA FERRO LISCIO 400	SHELF, SMOOTH PLATE 400mm	a
	0870861300	0C3388	RIPIANO PIASTRA FERRO LISCIO 800	SHELF, SMOOTH PLATE 800mm	d
	0870861100	0C3386	RIPIANO PIASTRA FE. RIGATA 400	SHELF, RIBBED PLATE 400mm	b
	0870861200	0C3387	RIPIANO PIASTRA CR LISCIA 800	SHELF, CHROME SM. PLATE 400mm	c
	0870861500	0C3390	RIPIANO PIASTRA CROMATA 800	SHELF, CHROME SM. PLATE 400mm	f
	0870861400	0C3389	RIPIANO FE 1/3 RIGATO 800	SHELF, 1/3 RIBBED PLATE 400mm	e
	0870861600	0C3391	RIPIANO CR 1/3 RIGATO 800	SHELF, 1/3 RIBBED PLATE 400mm	g
9	0806864302	0C3679	TUBO DI SCARICO	DRAIN PIPE	see PDX2007-04
	0806860100	*	TUBO DI SCARICO	DRAIN PIPE	till s/n 647
10	0518816900	*	PIOLINO M5 DIAM 6	PEG M5 DIAM 6	since s/n 647
12	0856827200	0C3364	CRUSCOTTO 400mm	CONTROL PANEL 400mm	a b c till s/n 647
	0856827201	0C5076	CRUSCOTTO 400mm	CONTROL PANEL 400mm	a b c since s/n 647
	0856827500	0C3365	CRUSCOTTO 800mm	CONTROL PANEL 800mm	d e f g till s/n 647
	0856827501	0C5079	CRUSCOTTO 800mm	CONTROL PANEL 800mm	d e f g since s/n 647
13	0851811201	0C2721	CASSETTO FRYTOP 400mm	DRAWER, FRYTOP 400mm	see PDX2007-04
	0851811301	0C2722	CASSETTO FRYTOP 800mm	DRAWER, FRYTOP 800mm	a b c
14	0617817400	004671	RESISTENZA 1500W 230V	HEATING ELEMENT1500W 230V	d e f g
15	0528852101	*	SCATOLA RESISTENZE 400mm	BOX FOR HEATING ELEM.400mm	a b c
	0528852201	*	SCATOLA RESISTENZE 800mm	BOX FOR HEATING ELEM.800mm	d e f
16	0528852301	*	CONTRO SCATOLA 400mm	INNER BOX, HEAT.ELEM. 400mm	a b c
	0528852401	*	CONTRO SCATOLA 400mm	INNER BOX, HEAT.ELEM. 400mm	d e f g
17	0528853201	058613	MORSETTIERA DI ALIMENTAZIONE	MAIN TERMINAL BLOCK	
18	0A05400901	0A2134	INTERRUTTORE	SWITCH	
19	0646806300	002402	TERMOSTATO	THERMOSTAT	c f
	0646806300	004363	TERMOSTATO	THERMOSTAT	a b d e
20	0A05414500	0A2205	STAFFA FISSAGGIO	FASTENING PLATE	
21	0876800002	005010	LAMPADA VERDE	GREEN LAMP	
22	0876800102	005011	LAMPADA ARANCIO	ORANGE LAMP	
23	0544802300	0C0068	PRESSACAVO	TIGHTNER, CORD	
24	0518801801	053342	MOLLA PER MARCHIO	SPRING FOR BRAND	
25	0548861201	0C0466	GHIERA	KNOB RING	
26	0548865500	0A5621	MANOPOLA	KNOB	
27	0218912211	069567	MOLLETTA PER GHIERA	SPRING, KNOB RING	
28	0543821000	053816	GUARNIZIONE MANOPOLA	GASKET, KNOB	
29	0214590701	025245	MOLLETTA PER MANOPOLA	SPRING, KNOB	
30	0522898200	0C2527	GRIGLIA CAMINO	GRID FOR CHIMNEY	
31	0532806900	0C2964	PARASPRUZZI 400mm	SPLASHBACK 400mm	
	0532807100	0C2965	PARASPRUZZI 800mm	SPLASHBACK 800mm	
32	0805848201	055995	RASCHIETTO PIASTRA LISCIA(cromo)	SCRAPER FOR SMOOTH PLATE	c f
32a	0506887400	056347	LAMA PER RASCHIETTO	SCRAPER BLADE	c f
	F164255	055995	RASCHIETTO PIASTRA LISCIA	SCRAPER FOR SMOOTH PLATE	
	F164257	056940	SPATOLA PIASTRA RIGATA	SCRAPER FOR RIBBED PLATE	
33	0646811200	006307	LIMITATORE TEMPERATURA	SAFETY THERMOSTAT	
34	0516860700	0C0137	PIASTRINA GIUNZIONE	JOINTING REAR PLATE	
36	0830851300	056940	SPATOLA PIASTRA RIGATA(cromo)	SCRAPER FOR RIBBED PLATE	b e g