

Modular Platform

Viale Treviso, 15
33170 Pordenone - Italy
Fax: +39 0434-380577

FRYTOP ELETTRICO N700
ELECTRIC FRYTOP N700

PNC	Model	Ref.	Page	Notes
178 059	PRV/E 1FL	a	1-2	FRY TOP-SMOOTH PLATE 400MM
178 060	PRV/E 1FR	b	1-2	FRY TOP RIBBED PLATE 400MM
178 061	PRV/E1 CL	c	1-2	FRY TOP-SMOOTH CHR.PLATE 400MM
178 062	PRV/E2 FL	d	1-2	FRY TOP-SMOOTH PLATE 800MM
178 063	PRV/E2 FM	e	1-2	FRY TOP-SMOOTH +RIBBED PLATE800MM
178 064	PRV/E2 CL	f	1-2	FRY TOP-SMOOTH CHR.PLATE 800MM
178 071	PR/E2CM	g	1-2	FRYTOP-SMOOTH+RIBBED CHR PLATE 800MM
178 073	PRV/E1FLE5	h	1-2	FRY TOP-SMOOTH PLATE 400MM - 230V
178 074	PRV/E1FRE5	i	1-2	FRY TOP RIBBED PLATE 400MM - 230V
178 075	PRV/E2FLE5	l	1-2	FRY TOP-SMOOTH PLATE 800MM - 230V
178 076	PR/E2CME5	m	1-2	FRY TOP-SMOOTH+RIBBED CHR.PLATE 800MM-230V
178 077	PRV/E2FME5	n	1-2	FRY TOP RIBBED PLATE 800MM - 230V

Pag. 1
Pag. 2

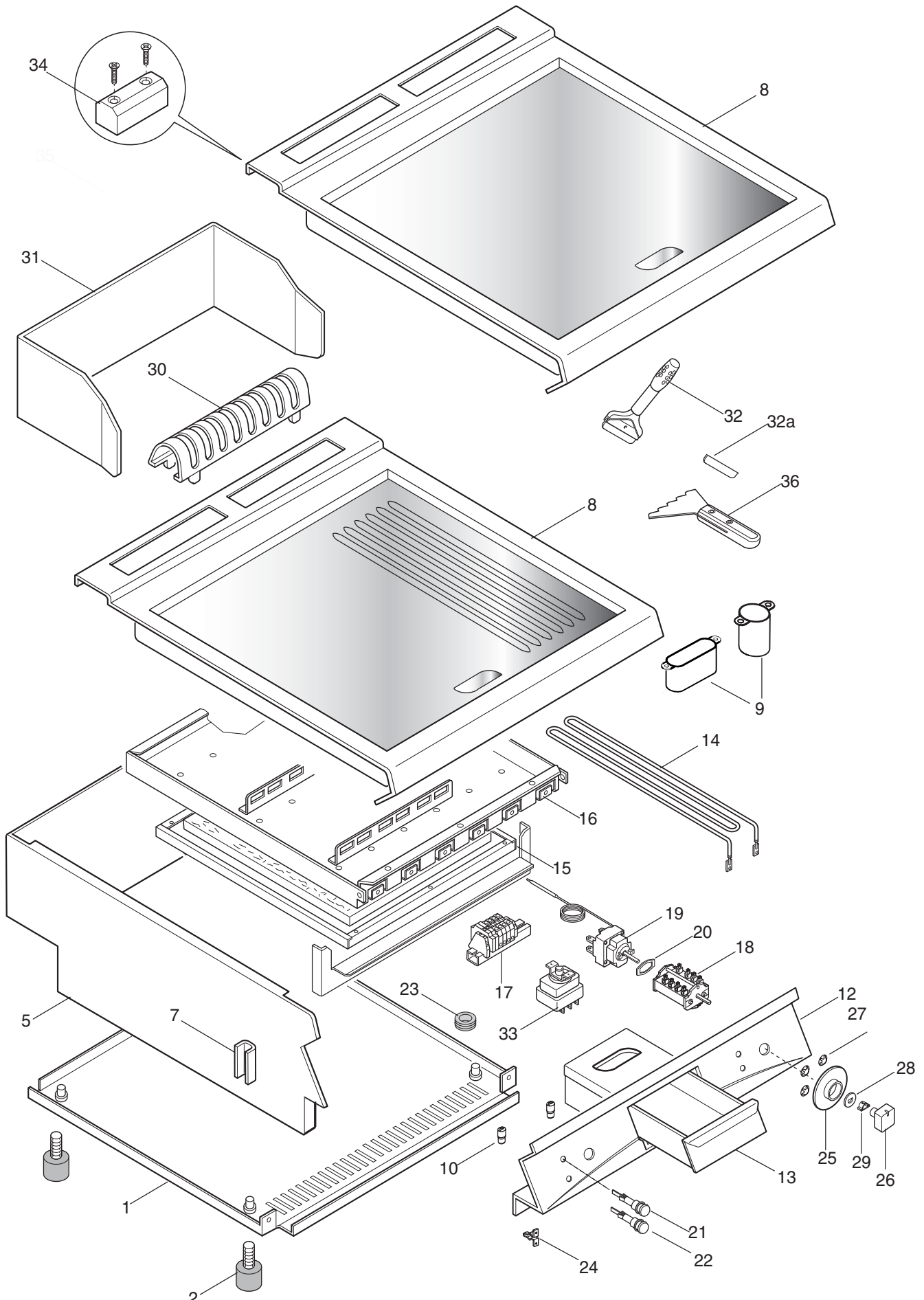
Index

Frame and components
Spare parts list

Indice

Struttura e componenti
Lista ricambi

Brand / Marchio : Zanussi
Factory code: 9PDX



FRYTOP ELETTRICO N700
ELECTRIC FRYTOP N700

FRYTOP ELETTRICO N700
ELECTRIC FRYTOP N700

PNC	Model	Ref.	Notes
178 059	PRV/E1FL	a	FRY TOP-SMOOTH 400MM
178 060	PRV/E1FR	b	FRY TOP RIBBED PLATE 400MM
178 061	PRV/E1CL	c	FRY TOP-SMOOTH CHR. 400MM
178 062	PRV/E2 FL	d	FRY TOP-SMOOTH PLATE 800MM
178 063	PRV/E2FM	e	FRY TOP-SMOOTH + RIBBED PLATE800MM
178 064	PRV/E2CL	f	FRY TOP-SMOOTH CHR.PLATE 800MM
178 071	PR/E2CM	g	FRY TOP-SMOOTH+RIBBED CHROME PLATE800MM
178 073	PRV/E1FLE5	h	FRY TOP-SMOOTH PLATE 400MM - 230V
178 074	PRV/E1FRE5	i	FRY TOP RIBBED PLATE 400MM - 230V
178 075	PRV/E2FLE5	l	FRY TOP-SMOOTH PLATE 800MM - 230V
178 076	PR/E2CME5	m	FRY TOP-SMOOTH+RIBBED CHR.PLATE 800MM-230V
178 077	PRV/E2FME5	n	FRY TOP RIBBED PLATE 800MM - 230V

Pos	Factory Code	6DGT Code	Descrizione	Description	Ref./ Notes
			Pagina 1	Page 1	
1	0533832201	*	FONDO 400 mm	BOTTOM PANEL 400mm	a b c h i till s/n 802
	0530865000	*	FONDO 400 mm	BOTTOM PANEL 400mm	a b c h i since s/n 802
	0533832300	*	FONDO 800 mm	BOTTOM PANEL 800mm	d e f g l m n till s/n 802
	0530865100	*	FONDO 800 mm	BOTTOM PANEL 800mm	d e f g l m n since s/n 802
2	0315252601	026806	PIEDINO CON VITE	SCREW FOOT FOR TOP	
5	0532812101	*	RIVESTIMENTO LATERALE 400mm	EXTERNAL PANEL 400 mm	a b c h i till s/n 802
	0530866600	*	RIVESTIMENTO LATERALE 400mm	EXTERNAL PANEL 400 mm	a b c h i since s/n 802
	0522889100	*	RIVESTIMENTO LATERALE 800mm	EXTERNAL PANEL 800 mm	d e f g l m n till s/n 802
	0530866700	*	RIVESTIMENTO LATERALE 800mm	EXTERNAL PANEL 800 mm	d e f g l m n since s/n 802
7	0527850500	0C0156	PIASTRA FISSAGGIO FIANCHI	SIDE PANEL JOINTING PLATE	
8	0870857705	0C2689	RIPIANO PIASTRA FERRO LISCIO 400	SHELF, SMOOTH PLATE 400mm	a h
	0870858005	0C2692	RIPIANO PIASTRA FERRO LISCIO 800	SHELF, SMOOTH PLATE 800mm	d l
	0870857805	0C2690	RIPIANO PIASTRA FE. RIGATA 400	SHELF, RIBBED PLATE 400mm	b i
	0870857905	0C2691	RIPIANO PIASTRA CR LISCIA 800	SHELF, CHROME SM. PLATE 400mm	c
	0870858205	0C3020	RIPIANO PIASTRA CROMATA 800	SHELF, CHROME SM. PLATE 400mm	f
	0870858105	0C2693	RIPIANO FE 1/3 RIGATO 800	SHELF, 1/3 RIBBED PLATE 400mm	e n
	0870858305	0C3081	RIPIANO CR 1/3 RIGATO 800	SHELF, 1/3 RIBBED PLATE 400mm	g m
					see PDX2007-04
9	0806864302	0C3679	TUBO DI SCARICO	DRAIN PIPE	till s/n 647
	0806860100	*	TUBO DI SCARICO	DRAIN PIPE	since s/n 647 see PDX2007-04
10	0518816900	*	PIOLINO M5 DIAM 6	PEG M5 DIAM 6	
12	0856800101	0C2761	CRUSCOTTO 400mm	CONTROL PANEL 400mm	a b c h i till s/n 647
	0856800104	0C5164	CRUSCOTTO 400mm	CONTROL PANEL 400mm	a b c h i since s/n 647
	0856800201	0C2729	CRUSCOTTO 800mm	CONTROL PANEL 800mm	d e f g l m n till s/n 647
	0856800203	0C5174	CRUSCOTTO 800mm	CONTROL PANEL 800mm	d e f g l m n since s/n 647
13	0851811201	0C2721	CASSETTO FRYTOP 400mm	DRAWER, FRYTOP 400mm	a b c h i
	0851811301	0C2722	CASSETTO FRYTOP 800mm	DRAWER, FRYTOP 800mm	d e f g l m n
14	0617817400	004671	RESISTENZA 1500W 230V	HEATING ELEMENT 1500W 230V	
15	0528852101	*	SCATOLA RESISTENZE 400mm	BOX FOR HEATING ELEM.400mm	a b c h i
	0528852201	*	SCATOLA RESISTENZE 800mm	BOX FOR HEATING ELEM.800mm	d e f l n
16	0528852301	*	CONTRO SCATOLA 400mm	INNER BOX, HEAT.ELEM. 400mm	a b c h i
	0528852401	*	CONTRO SCATOLA 400mm	INNER BOX, HEAT.ELEM. 400mm	d e f g l m n
17	0528853201	058613	MORSETTIERA DI ALIMENTAZIONE	MAIN TERMINAL BLOCK	
18	0A05400901	0A2134	INTERRUTTORE	SWITCH	
19	0646806300	002402	TERMOSTATO	THERMOSTAT	c f g m
	0646806500	004363	TERMOSTATO	THERMOSTAT	a b d e h i l n
20	0A05414500	0A2205	STAFFA FISSAGGIO	FASTENING PLATE	
21	0876800002	005010	LAMPADA VERDE	GREEN LAMP	
22	0876800102	005011	LAMPADA ARANCIO	ORANGE LAMP	
23	0544802300	0C0068	PRESSACAVO	TIGHTNER, CORD	
24	0518801801	053342	MOLLA PER MARCHIO	SPRING FOR BRAND	
25	0548861201	0C0466	GHIERA	KNOB RING	
26	0548858800	0C0257	MANOPOLA	KNOB	
27	0218912211	069567	MOLLETTA PER GHIERA	SPRING, KNOB RING	
28	0543821000	053816	GUARNIZIONE MANOPOLA	GASKET, KNOB	

FRYTOP ELETTRICO N700
ELECTRIC FRYTOP N700

PNC	Model	Ref.	Notes
178 059	PRV/E1FL	a	FRY TOP-SMOOTH 400MM
178 060	PRV/E1FR	b	FRY TOP RIBBED PLATE 400MM
178 061	PRV/E1CL	c	FRY TOP-SMOOTH CHR. 400MM
178 062	PRV/E2 FL	d	FRY TOP-SMOOTH PLATE 800MM
178 063	PRV/E2FM	e	FRY TOP-SMOOTH + RIBBED PLATE800MM
178 064	PRV/E2CL	f	FRY TOP-SMOOTH CHR.PLATE 800MM
178 071	PR/E2CM	g	FRY TOP-SMOOTH+RIBBED CHROME PLATE800MM
178 073	PRV/E1FLE5	h	FRY TOP-SMOOTH PLATE 400MM - 230V
178 074	PRV/E1FRE5	i	FRY TOP RIBBED PLATE 400MM - 230V
178 075	PRV/E2FLE5	l	FRY TOP-SMOOTH PLATE 800MM - 230V
178 076	PR/E2CME5	m	FRY TOP-SMOOTH+RIBBED CHR.PLATE 800MM-230V
178 077	PRV/E2FME5	n	FRY TOP RIBBED PLATE 800MM - 230V

Pos	Factory Code	6DGT Code	Descrizione	Description	Ref/ Notes
			Pagina 1	Page 1	
29	0214590701	025245	MOLLETTA PER MANOPOLA	SPRING, KNOB	
30	0522898200	0C2527	GRIGLIA CAMINO	GRID FOR CHIMNEY	
31	0532806900	0C2964	PARASPRUZZI 400mm	SPLASHBACK 400mm	
	0532807100	0C2965	PARASPRUZZI 800mm	SPLASHBACK 800mm	
32	0805848201	055995	RASCHIETTO PIASTRA LISCIA(cromo)	SCRAPER FOR SMOOTH PLATE	c f g m
32a	0506887400	056347	LAMA PER RASCHIETTO	SCRAPER BLADE	c f g m
	F164255	055995	RASCHIETTO PIASTRA LISCIA	SCRAPER FOR SMOOTH PLATE	
	F164257	056940	SPATOLA PIASTRA RIGATA	SCRAPER FOR RIBBED PLATE	
33	0646811200	006307	LIMITATORE TEMPERATURA	SAFETY THERMOSTAT	c f g m
34	0516860700	0C0137	PIASTRINA GIUNZIONE	JOINTING REAR PLATE	
35	0541810600	0C0187	TAPPO POSTERIORE RIPIANO	STOPPER	
36	0830851300	056940	SPATOLA PIASTRA RIGATA(cromo)	SCRAPER FOR RIBBED PLATE	g m