

Modular Platform

Viale Treviso, 15
33170 Pordenone - Italy
Fax: +390434-380577

**FRY TOP GAS N700
GAS GRIDDLES N700**

PNC	Model	Ref.	Page	Notes
178 051	PRV/G1FL	a	1-5	Gas Fry Top smooth plate+Open Base 400MM
178 052	PRV/G1FR	b	1-5	Gas Fry Top Ribbed plate+Open Base 400MM
178 053	PRV/G1CL	c	1-5	Gas Fry Top smooth Crh Plate+Base 400MM
178 054	PRV/G2FL	d	1-5	Gas Fry Top smooth plate+Open Base 800MM
178 055	PRV/G2FM	e	1-5	Gas Fry Top smooth+Ribbed Plate+Open Base 800MM
178 056	PRV/G2CL	f	1-5	Gas Fry Top smooth Crh Plate+Base 800MM
178 204	PRV/G2FLN	g	1-5	Gas Fry Top smooth plate+Open Base 800MM - NL

Pag. 1
Pag. 2
Pag. 3
Pag. 4
Pag. 5

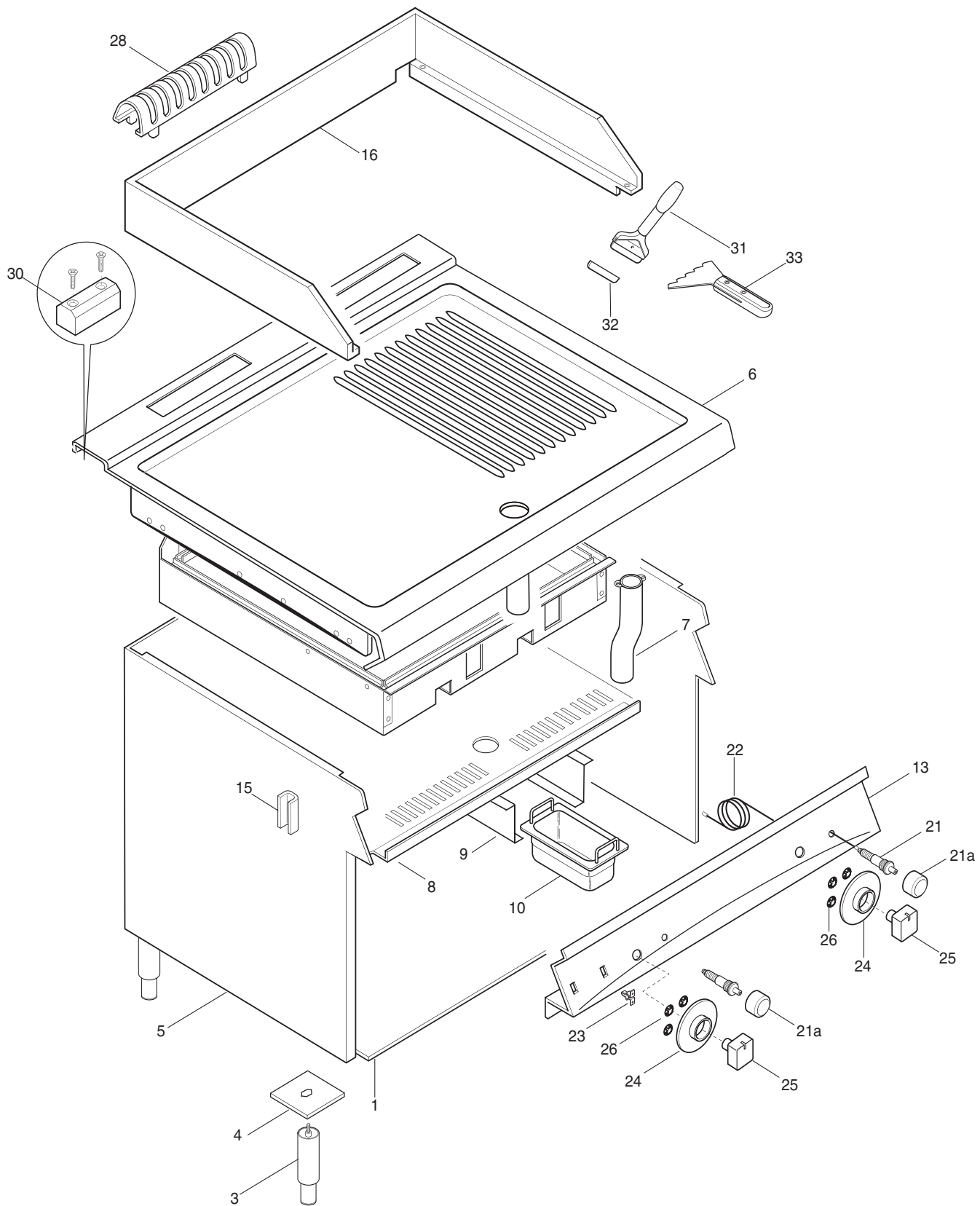
Index

Frame
Functional components mild steel
Functional components chrome
Spare parts list frame
Spare parts list functional

Indice

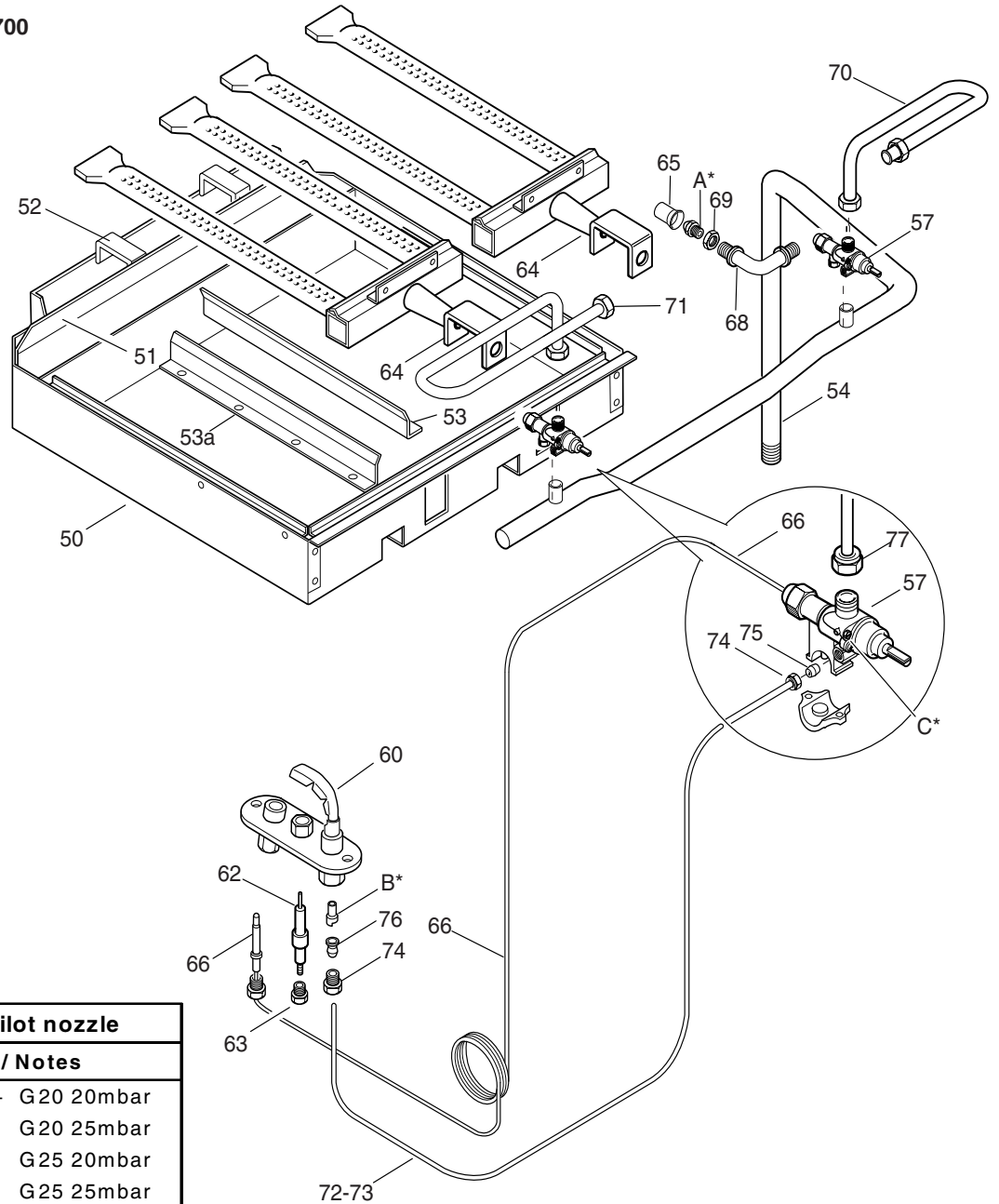
Mobile
Componenti funzionali piastra al ferro
Componenti funzionali piastra al cromo
Lista ricambi mobile
Lista ricambi funzionali

Brand / Marchio : Zanussi
Factory code: 9 PDX



Fry Top Gas N700
Gas FryTop N700

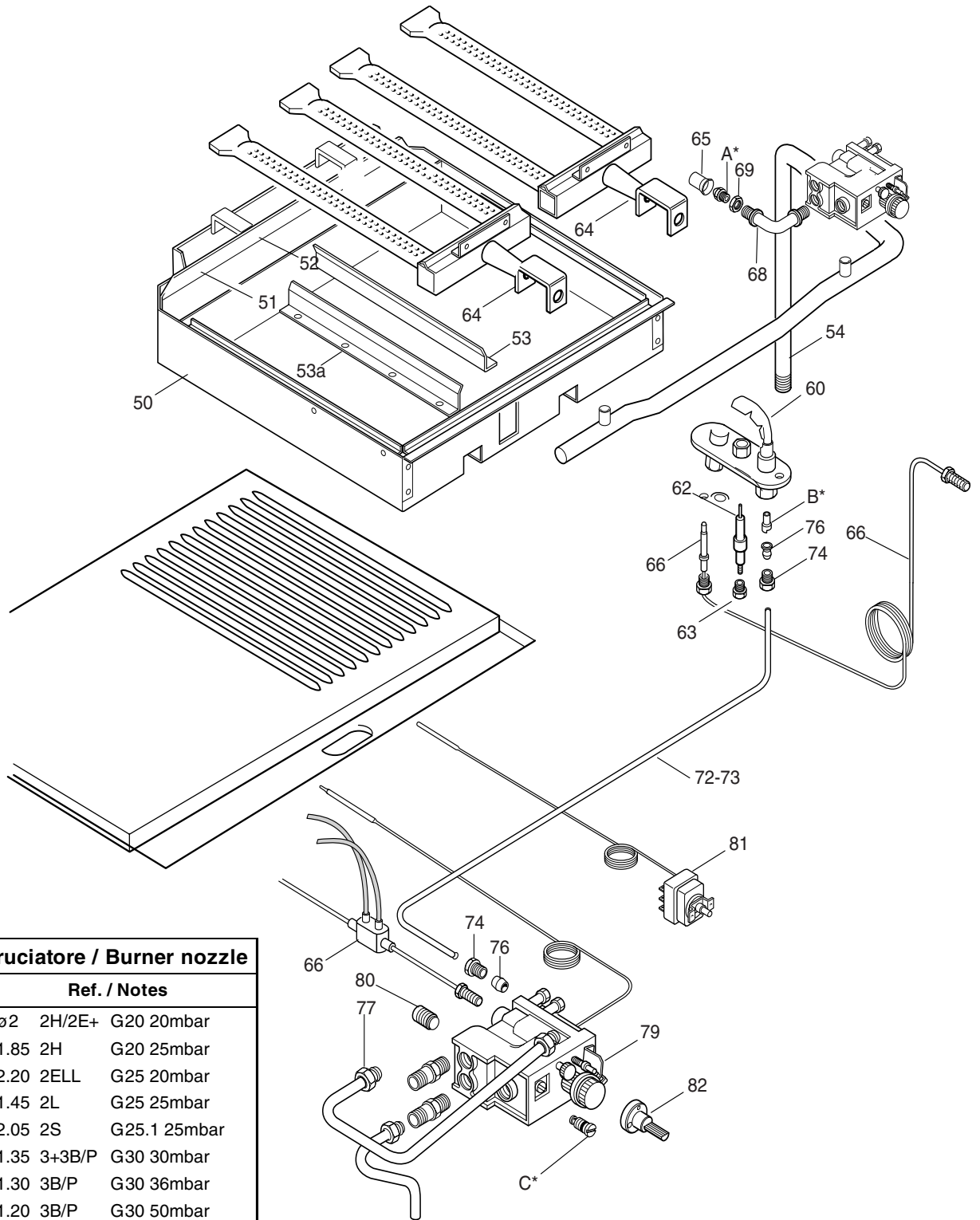
Fry Top Gas Ferro N700
Gas FryTop mild steel N700



B - Ugello pilota / Pilot nozzle	
6DGT Code	Ref. / Notes
059215	n°27 2H/2E+ G20 20mbar
059215	n°27 2H G20 25mbar
059215	n°27 2ELL G25 20mbar
059215	n°27 2L G25 25mbar
059215	n°27 2S G25.1 25mbar
059216	n°14 3+3B/P G30 30mbar
059216	n°14 3B/P G30 36mbar
059216	n°14 3B/P G30 50mbar
059216	n°27 No CE G20 10mbar
059356	n°50 No CE G110 8mbar

A - Ugello bruciatore / Burner nozzle	
6DGT Code	Ref. / Notes
0A2102	ø2 2H/2E+ G20 20mbar
0A2077	ø1.85 2H G20 25mbar
0A2083	ø2.20 2ELL G25 20mbar
058335	ø1.45 2L G25 25mbar
059418	ø2.05 2S G25.1 25mbar
0A2533	ø1.35 3+3B/P G30 30mbar
002393	ø1.30 3B/P G30 36mbar
0A2650	ø1.20 3B/P G30 50mbar
0A2081	ø2.30 No CE G20 10mbar
0A2174	ø4 No CE G110 8mbar

D - Vite di minimo / Min screw	
6DGT Code	Ref. / Notes
002994	n°145 2H/2E+ G20 20mbar
002994	n°145 2H G20 25mbar
002994	n°145 2ELL G25 20mbar
002994	n°145 2L G25 25mbar
002994	n°145 2S G25.1 25mbar
004595	n°100 3+3B/P G30 30mbar
004595	n°100 3B/P G30 36mbar
002926	n°90 3B/P G30 50mbar
002994	n°145 No CE G20 10mbar
-	adjust No CE G110 8mbar



A - Ugello bruciatore / Burner nozzle

6DGT Code	Ref. / Notes
0A2102	∅2 2H/2E+ G20 20mbar
0A2077	∅1.85 2H G20 25mbar
0A2083	∅2.20 2ELL G25 20mbar
058335	∅1.45 2L G25 25mbar
059418	∅2.05 2S G25.1 25mbar
0A2533	∅1.35 3+3B/P G30 30mbar
002393	∅1.30 3B/P G30 36mbar
0A2650	∅1.20 3B/P G30 50mbar
0A2081	∅2.30 No CE G20 10mbar
0A2174	∅4 No CE G110 8mbar

B - Ugello pilota / Pilot nozzle

6DGT Code	Ref./ Notes
059215	n°27 2H/2E+ G20 20mbar
059215	n°27 2H G20 25mbar
059215	n°27 2ELL G25 20mbar
059215	n°27 2L G25 25mbar
059215	n°27 2S G25.1 25mbar
059216	n°14 3+3B/P G30 30mbar
059216	n°14 3B/P G30 36mbar
059216	n°14 3B/P G30 50mbar
059216	n°27 No CE G20 10mbar
059356	n°50 No CE G110 8mbar

C - Vite di minimo Crh/ Min screw Crh

6DGT Code	Ref./ Notes
0A5422	n°160 2H/2E+ G20 20mbar
003159	n°140 2H G20 25mbar
0A5422	n°160 2ELL G25 20mbar
0A5422	n°160 2L G25 25mbar
0A5422	n°160 2S G25.1 25mbar
003321	n°110 3+3B/P G30 30mbar
004602	n°100 3B/P G30 36mbar
0C2987	n°90 3B/P G30 50mbar
0A5422	n°160 No CE G20 10mbar
-	adjust No CE G110 8mbar

Fry Top Gas cromo N700
Gas FryTop crhome N700

**FRY TOP GAS N900
GAS GRIDDLE N900**

Code	Model	Ref.	Code	Model	Ref.
178 051	PRV/G1FL	a	178 055	PRV/G2FM	e
178 052	PRV/G1FR	b	178 056	PRV/G2CL	f
178 053	PRV/G1CL	c	178 204	PRV/G2FLN	g
178 054	PRV/G2FL	d			

Pos	Factory Code	6 Dgt Code	Descrizione	Description	Ref. / Notes
			Pagina 1	Page 1	
1	0800835000	*	FONDO 400mm	BOTTOM PANEL 400mm	a b c
	0800835100	*	FONDO 800mm	BOTTOM PANEL 800mm	d e f
3	0835856900	0C0204	PIEDE	FOOT	
4	050889900	0C0122	PIASTRA DI RINFORZO PIEDE	PLATE FOR FOOT	
5	0530867200	*	RIVESTIMENTO LATERALE 400MM	EXTERNAL PANEL 400MM	a b c
	0530867300	*	RIVESTIMENTO LATERALE 800MM	EXTERNAL PANEL 800MM	d e f
6	0870870000	0C5204	RIPIANO 400mmFL	TOP 400mm FL	a
	0870870100	0C5205	RIPIANO 400mmFR	TOP 400mm FR	b
	0870870200	0C5206	RIPIANO 400mmCL	TOP 400mm CL	c
	0870870300	0C5207	RIPIANO 800mm FL	TOP 800mm FL	d g
	0870870400	0C5208	RIPIANO 800mm FM	TOP 800mm FM	e
	0870870500	0C5209	RIPIANO 800mm CL	TOP 800mm CL	f
7	0806873800	0C5189	TUBO DI SCARICO	DRAIN PIPE	
8	0533842701	*	CIELO VANO 400 mm	BASE TOP 400 mm	
	0533842801	*	CIELO VANO 800 mm	BASE TOP 800 mm	
9	0530884600	0C5188	GUIDA BACINELLA	BASIN RUNNERS	
10	0502888501	004612	BACINELLA	GASTRONORM BASIN	
13	0856829400	0C5190	CRUSCOTTO 400mm	CONTROL PANEL 400mm	a b
	0856829600	0C5192	CRUSCOTTO 400mm	CONTROL PANEL 400mm	c
	0856829500	0C5191	CRUSCOTTO 800mm	CONTROL PANEL 800mm	d e g
	0856829700	0C5193	CRUSCOTTO 800mm	CONTROL PANEL 800mm	f
15	0527850500	0C0156	PIASTRINA FACCIATA FIANCO	PLATE JOINTING	
16	0532806900	0C2964	PARASPRUZZI 400 mm	SPLASHBACK 400 mm	a b c
	0532807100	0C2965	PARASPRUZZI 800 mm	SPLASHBACK 800 mm	d e f g
21	835829600	059251	ACCENDITORE PIEZO	PIEZOELECTRIC IGNITER	
21a	0541809000	002816	COPERTURA PIEZO	COVER, PIEZO	
22	0638883500	006514	CAVO ACCENDITORE	IGNITION CABLE	
23	0518801801	053342	MOLLA PER MARCHIO	SPRING, LABEL	
24	0548858401	0C0193	GHIERA	KNOB RING	a b d e g
	0548869600	0C2665	GHIERA VALVOLA EUROSIT	KNOB RING, EUROSIT VALVE	c f
25	0548856902	0C0191	MANOPOLA RUBINETTO	KNOB COCK	a b d e g
	0548857002	0C0465	MANOPOLA VALVOLA GAS	KNOB GAS VALVE	c f
26	0218912211	069567	MOLLA FISSAGGIO GHIERA	SPRING, KNOB RING	
28	0522898200	0C2527	GRIGLIA CAMINO	GRID CHIMNEY	
30	0516860700	0C0137	PIASTRINA UNIONE POST.	PLATE RERA JOINTING	
31	0805848201	055995	RASCHIETTO PIASTRA LISCIA(cromo)	SCRAPER FOR SMOOTH PLATE(chrome)	c f
	f164255	055995	RASCHIETTO PIASTRA LISCIA	SCRAPER FOR SMOOTH PLATE	
32	0506887400	056347	LAMA PER RASCHIETTO	BLADE FOR SCRAPER	
33	0830851300	056940	SPATOLA PER PIASTRA RIGATA	PADDLE FOR RIBBED PLATE	f164257

**FRY TOP GAS N700
GAS GRIDDLE N700**

Code	Model	Ref.	Code	Model	Ref.
178 051	PRV/G1FL	a	178 055	PRV/G2FM	e
178 052	PRV/G1FR	b	178 056	PRV/G2CL	f
178 053	PRV/G1CL	c	178 204	PRV/G2FLN	g
178 054	PRV/G2FL	d			

Pos	Factory Code	6 Dgt Code	Descrizione	Description	Ref. / Notes
			Pagina 1	Page 1	
50	0533826501	*	CAMERA COMBUSTIONE 400mm	COMBUSTION CHAMBER 400mm	a b c
	0533826601	*	CAMERA COMBUSTIONE 800mm	COMBUSTION CHAMBER 800mm	d e f g
51	0533826701	*	PARETE ANTERIORE CAMINO 400mm	CHIMNEY FRONT PANEL 400mm	a b c
	0533826801	*	PARETE ANTERIORE CAMINO 800mm	CHIMNEY FRONT PANEL 800mm	d e f g
52	0528853401	*	DISTANZIALE CAMINO	CHIMNEY SPACER	
53	0528856300	*	CONVOGLIATORE ARIA LUNGO	AIR CONVECTION DEVICE	
53a	0528856200	*	CONVOGLIATORE ARIA CORTO	AIR CONVECTION DEVICE	
54	0856802100	0C2966	RIBALTA 400mm	GAS MANIFOLD 400mm	a b
	0856802200	0C2967	RIBALTA 800mm	GAS MANIFOLD 800mm	d e g
	0856802300	0C2968	RIBALTA 400mm VALVOLATO	GAS MANIFOLD 400mm	c
	0856802400	0C2969	RIBALTA 800mm VALVOLATO	GAS MANIFOLD 800mm	f
57	0835857201	0C0205	RUBINETTO GAS	GAS TAP	a b d e g
60	0830884101	005503	PILOTA	PILOT BURNER	
62	0830863300	059380	ELETTRODO	ELECTRODE	
63	0214164101	057960	RACCORDO ELETTRODO	PIPE FITTING, ELECTRODE	
64	0830883403	004591	BRUCIATORE	BURNER	
65	0215088100	052062	BOCCOLA REGOL.ARIA	BUSH FOR AIR REGULATION	
66	0830853101	051119	TERMOCOPPIA	THERMOCOUPLE	a b d e g
	0830852101	056914	TERMOCOPPIA INTERROTTA	THERMOCOUPLE	c f
68	0511805801	059375	PORTAUGELLO	NOZZLE HOLDER	
69	0214105101	020997	CONTRODADO	LOCK NUT	
70	0806846001	0C5160	CONDUTTURA GAS 400mm	GAS PIPE 400	a b
	0806846801	0C5159	CONDUTTURA GAS DESTRA 800mm	GAS PIPE RIGHT SIDE 800mm	d e g
	0806846101	0C5161	CONDUTT. SX GAS 400mmVALVOLATO	GAS PIPE LEFT SIDE 800mm	f
	0806846201	0C5162	CONDUTT. DX GAS 400mmVALVOLATO	GAS PIPE RIGHT SIDE 800mm	c f
71	0806846901	0C5163	CONDUTTURA GAS SINISTRA 800mm	GAS PIPE LEFT SIDE 800mm	d e g
72	0517896101	0C5046	CONDUTTURA PILOTA 400mm	PILOT GAS PIPE 400mm	a b
	0517896401	0C5070	CONDUTTURA PILOTA DESTRA 800mm	PILOT GAS PIPE RIGHT SIDE 800mm	d e g
73	0517896501	0C5071	COND. PILOTA SINISTRA 800mm	PILOT GAS PIPE LEFT SIDE 800mm	d e g
74	0214164400	052125	RACCORDO PILOTA	PIPE FITTING, PILOT	
75	0215199700	052127	BICONO PILOTA RUBINETTO	DOUBLE CONE, PILOT GAS TAP	
76	0517808700	059161	BICONO PILOTA	DOUBLE CONE, PILOT	
77	0514829301	0A2125	DADO PER TUBO	PIPE NUT	
	0214108111	041155	DADO VALVOLA	VALVE NUT	
78	0215073101	060325	BICONO BRUCIATORE	DOUBLE CONE BURNER	
79	0835826106	058772	VALVOLA EUROSIT	GAS VALVE	c f
80	0835819400	056009	TAPPO VALVOLA	STOPPER GAS VALVE	c f
81	0646808600	004600	LIMITATORE TEMPERATURA	SAFETY THERMOSTAT	c f
82	0548848401	004491	PROLUNGA MANOPOLA	EXTENSION KNOB	c f