

Modular Platform

Viale Treviso, 15
33170 Pordenone - Italy
Fax: +39 0434-380577

FRYTOP ELETTRICO N900
ELECTRIC FRYTOP N900

PNC	Model	Ref.	Page	Notes
210 187	QR/E1	a	1 - 2 - 3	Electric Frytop Mild Steel Smooth Flat 400mm
210 188	QR/E2	b	1 - 2 - 3	Electric Frytop Mild Steel Smooth Flat 800mm
210 189	QR/E1R	c	1 - 2 - 3	Electric Frytop Mild Steel Ribbed Sloped 400mm
210 190	QR/E2R	d	1 - 2 - 3	Electric Frytop Mild Steel 1/3 Ribbed Sloped 800mm
210 191	QR/E1C	e	1 - 2 - 3	Electric Frytop Chromed Smooth Sloped 400mm
210 192	QR/E2C	f	1 - 2 - 3	Electric Frytop Chromed Smooth Sloped 800mm
210 193	QR/E2CR	g	1 - 2 - 3	Electric Frytop Chromed 1/3 Ribbed Sloped 800mm
210 194	QR/E1E5	h	1 - 2 - 3	Electric Frytop Mild Steel Smooth Flat 400mm 230V
210 195	QR/E1RE5	l	1 - 2 - 3	Electric Frytop Mild Steel Ribbed Sloped 400mm 230V
210 196	QR/E2E5	m	1 - 2 - 3	Electric Frytop Mild Steel Smooth Flat 800mm 230V
210 197	QR/E2RE5	n	1 - 2 - 3	Electric Frytop Mild Steel 1/3 Ribbed Sloped 800mm 230V
210 198	QR/E1CE5	o	1 - 2 - 3	Electric Frytop Chromed Smooth Sloped 400mm 230V
210 199	QR/E2CE5	p	1 - 2 - 3	Electric Frytop Chromed Smooth Sloped 800mm 230V
210 200	QR/E2CRE5	q	1 - 2 - 3	Electric Frytop Chromed 1/3 Ribbed Sloped 800mm 230V

Pag. 1
Pag. 2 - 3

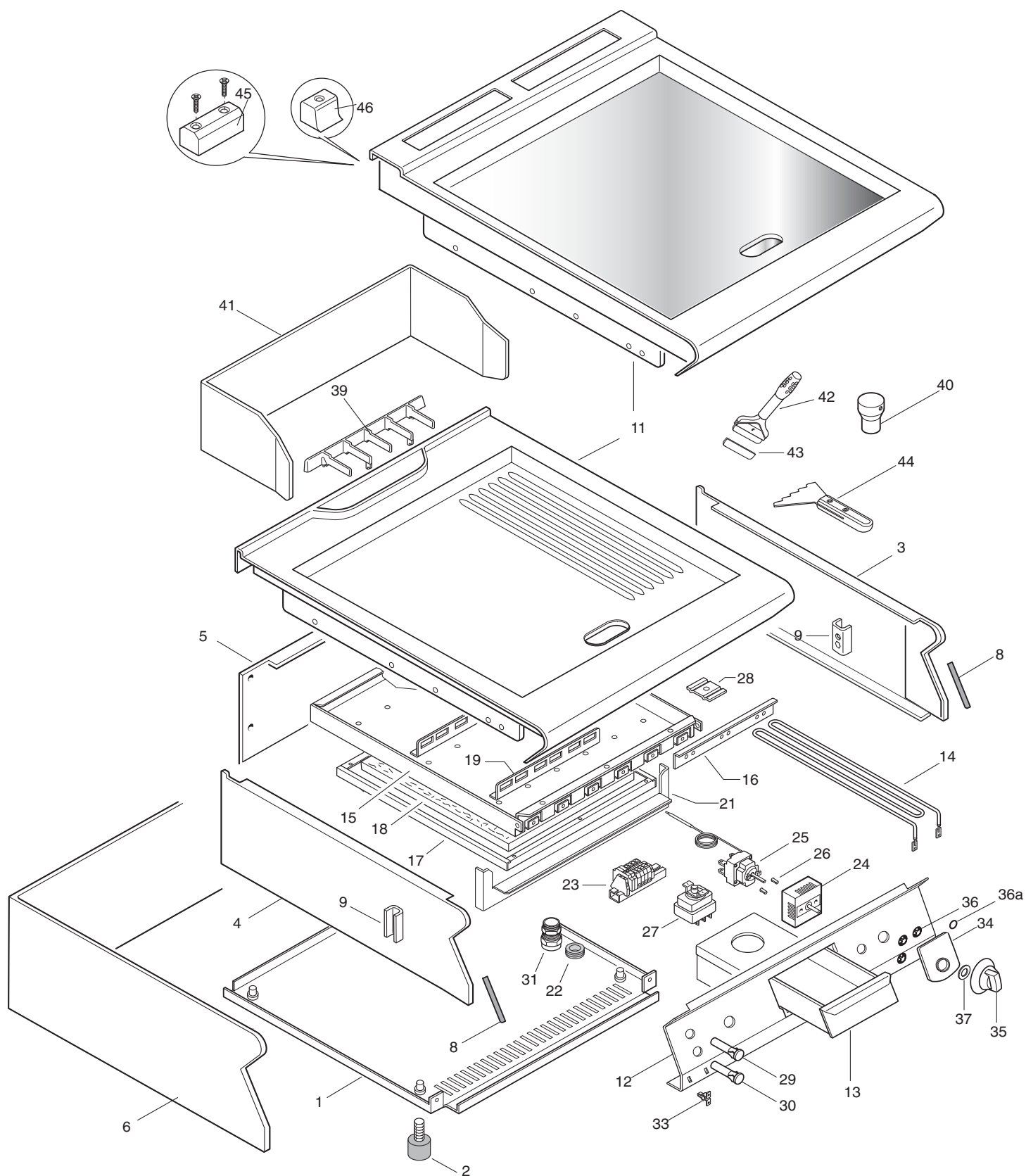
Index

Frame and components
Spare parts list

Indice

Struttura e componenti
Lista ricambi

Brand / Marchio : Electrolux
Factory code: 9PDX



FRYTOP ELETTRICO N900
ELECTRIC FRYTOP N900

FRYTOP ELETTRICO N900
ELECTRIC FRYTOP N900

PNC	Model	Ref.	Notes
210 187	QR/E1	a	Electric Frytop Mild Steel Smooth Flat 400mm
210 188	QR/E2	b	Electric Frytop Mild Steel Smooth Flat 800mm
210 189	QR/E1R	c	Electric Frytop Mild Steel Ribbed Sloped 400mm
210 190	QR/E2R	d	Electric Frytop Mild Steel 1/3 Ribbed Sloped 800mm
210 191	QR/E1C	e	Electric Frytop Chromed Smooth Sloped 400mm
210 192	QR/E2C	f	Electric Frytop Chromed Smooth Sloped 800mm
210 193	QR/E2CR	g	Electric Frytop Chromed 1/3 Ribbed Sloped 800mm
210 194	QR/E1E5	h	Electric Frytop Mild Steel Smooth Flat 400mm 230V
210 195	QR/E1RE5	l	Electric Frytop Mild Steel Ribbed Sloped 400mm 230V
210 196	QR/E2E5	m	Electric Frytop Mild Steel Smooth Flat 800mm 230V
210 197	QR/E2RE5	n	Electric Frytop Mild Steel 1/3 Ribbed Sloped 800mm 230V
210 198	QR/E1CE5	o	Electric Frytop Chromed Smooth Sloped 400mm 230V
210 199	QR/E2CE5	p	Electric Frytop Chromed Smooth Sloped 800mm 230V
210 200	QR/E2CRE5	q	Electric Frytop Chromed 1/3 Ribbed Sloped 800mm 230V

Pos	Factory Code	6DGT Code	Descrizione	Description	Ref./ Notes
			Pagina 1	Page 1	
1	0530813301	*	FONDO 400	BOTTOM PANEL 400	acehlo
	0530813402	*	FONDO 800	BOTTOM PANEL 800	bdfgmnpp
2	0315252601	026806	PIEDINO CON VITE	SCREW FOOT FOR TOP	
3	0870853100	0C2094	FIANCO DX TOP	RIGHT SIDE PANEL TOP	till s/n 903
4	0870853200	0C0012	FIANCO SX TOP	LEFT SIDE PANEL TOP	till s/n 903
5	0529828601	0C0013	SCHIENALE TOP 400	REAR PANEL 400	acehlo
	0529828701	0C0031	SCHIENALE TOP 800	REAR PANEL 800	till s/n 903 bdfgmnpp
6	0530899200	0C6294	RIVESTIMENTO LATERALE 400	EXTERNAL PANEL 400	since s/n 904
	0530899300	*	RIVESTIMENTO LATERALE 800	EXTERNAL PANEL 800	since s/n 904
8	0140088006	0L0113	GUARNIZIONE PER CRUSCOTTO	GASKET FOR CONTROL PANEL	
9	0527850500	0C0156	PIASTRA FISSAGGIO FIANCHI	SIDE PANEL JOINTING PLATE	
11	0873850900	0C2103	RIPIANO PIASTRA FERRO LISCIO 400	SHELF, SMOOTH PLATE 400	ah
	0870895900	0C5970	RIPIANO PIASTRA FERRO LISCIO 400	SHELF, SMOOTH PLATE 400	till s/n 903 ah
	0873851000	*	RIPIANO PIASTRA FERRO LISCIO 800	SHELF, SMOOTH PLATE 800	since s/n 904 bm
	0870896900	0C5980	RIPIANO PIASTRA FERRO LISCIO 800	SHELF, SMOOTH PLATE 800	till s/n 903 bm
	0873851200	0C2105	RIPIANO PIASTRA FE. RIGATA 400	SHELF, RIBBED PLATE 400	since s/n 904 cl
	0870896200	0C5973	RIPIANO PIASTRA FE. RIGATA 400	SHELF, RIBBED PLATE 400	till s/n 903 cl
	0873851300	0C3683	RIPIANO PIASTRA FE. 1/3 RIGATA 800	SHELF, 1/3 RIBBED PLATE 800	since s/n 904 dn
	0870897500	0C5986	RIPIANO PIASTRA FE. 1/3 RIGATA 800	SHELF, 1/3 RIBBED PLATE 800	till s/n 903 dn
	0873851500	0C2106	RIPIANO PIASTRA CROMATA 400	SHELF, CHROME SM. PLATE 400	since s/n 904 eo
	0870896500	0C5976	RIPIANO PIASTRA CROMATA 400	SHELF, CHROME SM. PLATE 400	till s/n 903 eo
	0873851600	*	RIPIANO PIASTRA CROMATA 800	SHELF, CHROME SM. PLATE 800	since s/n 904 fp
	0870898100	0C5992	RIPIANO PIASTRA CROMATA 800	SHELF, CHROME SM. PLATE 800	till s/n 903 fp
	0873851800	0C5623	RIPIANO PIASTRA CR. 1/3 RIGATA 800	SHELF, CHROME 1/3 RIB. PLATE 800	since s/n 904 gq
	0870898700	0C5998	RIPIANO PIASTRA CR. 1/3 RIGATA 800	SHELF, CHROME 1/3 RIB. PLATE 800	till s/n 903 gq
12	0853888601	*	CRUSCOTTO 400	CONTROL PANEL 400	since s/n 904 acehlo
	0853888301	*	CRUSCOTTO 800	CONTROL PANEL 800	bdfgmnpp
13	0851804704	0C0583	CASSETTO FRYTOP 400	DRAWER, FRYTOP 400	acehlo
	0851804803	0C0584	CASSETTO FRYTOP 800	DRAWER, FRYTOP 800	bdfgmnpp
14	0617823500	006681	RESISTENZA 2500W 400V	HEATING ELEMENT 2500W 400V	abcdefg
	0617823600	006682	RESISTENZA 2500W 230V	HEATING ELEMENT 2500W 230V	hlmnopq

FRYTOP ELETTRICO N900
ELECTRIC FRYTOP N900

PNC	Model	Ref.	Notes
210 187	QR/E1	a	Electric Frytop Mild Steel Smooth Flat 400mm
210 188	QR/E2	b	Electric Frytop Mild Steel Smooth Flat 800mm
210 189	QR/E1R	c	Electric Frytop Mild Steel Ribbed Sloped 400mm
210 190	QR/E2R	d	Electric Frytop Mild Steel 1/3 Ribbed Sloped 800mm
210 191	QR/E1C	e	Electric Frytop Chromed Smooth Sloped 400mm
210 192	QR/E2C	f	Electric Frytop Chromed Smooth Sloped 800mm
210 193	QR/E2CR	g	Electric Frytop Chromed 1/3 Ribbed Sloped 800mm
210 194	QR/E1E5	h	Electric Frytop Mild Steel Smooth Flat 400mm 230V
210 195	QR/E1RE5	l	Electric Frytop Mild Steel Ribbed Sloped 400mm 230V
210 196	QR/E2E5	m	Electric Frytop Mild Steel Smooth Flat 800mm 230V
210 197	QR/E2RE5	n	Electric Frytop Mild Steel 1/3 Ribbed Sloped 800mm 230V
210 198	QR/E1CE5	o	Electric Frytop Chromed Smooth Sloped 400mm 230V
210 199	QR/E2CE5	p	Electric Frytop Chromed Smooth Sloped 800mm 230V
210 200	QR/E2CRE5	q	Electric Frytop Chromed 1/3 Ribbed Sloped 800mm 230V

Pos	Factory Code	6DGT Code	Descrizione	Description	Ref./ Notes
			Pagina 1	Page 1	
15	0530813500	0C1918	SCATOLA RESISTENZE 400	BOX FOR HEATING ELEM.400	acehlo
	0530813600	0C1924	SCATOLA RESISTENZE 800	BOX FOR HEATING ELEM.800	bdfgmnpg
16	0527859200	*	SQUADRETTA FERMO RESISTENZA	BRACKET, HEATING ELEM.	
17	0529805100	*	SCATOLA ISOLAM. RESIST. 400	BOX, HEAT. ELEM. INSULATING 400	acehlo
	0529804300	*	SCATOLA ISOLAM. RESIST. 800	BOX, HEAT. ELEM. INSULATING 800	bdfgmnpg
18	0560817502	*	PANNELLO ISOLANTE 400	INSULATING PANEL 400	acehlo
	0560817602	*	PANNELLO ISOLANTE 800	INSULATING PANEL 800	bdfgmnpg
19	0508894701	*	SUPPORTO RESISTENZE 400	SUPPORT HEATING ELEMENT 400	acehlo
	0508894503	*	SUPPORTO RESISTENZE 800	SUPPORT HEATING ELEMENT 800	bdfgmnpg
21	0529804701	*	PARETE INTERMEDIA 400	INTERMEDIATE WALL 400	acehlo
	0529804101	*	PARETE INTERMEDIA 800	INTERMEDIATE WALL 800	bdfgmnpg
22	0246520500	050180	PASSACAVO DIA.23	GROMMET DIA.23	
23	0639805001	059239	MORSETTIERA DI ALIMENTAZIONE	MAIN TERMINAL BLOCK	
24	0641803400	006649	COMMUTATORE	SWITCH	
25	0646805302	059235	TERMOSTATO	THERMOSTAT	
26	0214123600	050256	PERNO	PIN	
27	0646808102	004269	TERMOSTATO DI SICUREZZA	SAFETY THERMOSTAT	
28	0538805601	0C1919	PIASTR.FISS.CAPILL.	PLATE, CAPILLARY FIXING	
29	0876800002	005010	LAMPADA VERDE	GREEN LAMP	
30	0876800102	005011	LAMPADA GIALLA	YELLOW LAMP	
31	0544802300	0C0068	PRESSACAVO	TOGHTENER CORD	
32	0638865100	005370	RESISTENZA DI CADUTA 270K ohm	RESISTANCE, COMPETANCE	abcdefg
33	0518801801	053342	MOLLA PER MARCHIO	SPRING FOR BRAND	
34	0548862700	0C2017	GHIERA	KNOB RING FOR SWITCH	
35	0548860501	0C2013	MANOPOLA	KNOB	
36	0218912211	069567	MOLLETTA PER GHIERA	SPRING FOR KNOB RING	
36a	0541813800	0C6171	RONDELLA	WASHER	
37	0543821000	053816	GUARNIZIONE PER MANOPOLA	GASKET KNOB	
38	0214590701	025245	MOLLETTA X MANOPOLA	SPRING FOR KNOB	
39	0510821104	0C1986	GRIGLIA CAMINO 400	GRATE FOR CHIMNEY 400	
40	0516852801	006554	TAPPO X PIASTRA ORIZZONTALE	CAP FOR SMOOTH FLAT PLATE	ab
41	0529805502	006555	PARASPRUZZI 400	SPLASH GUARD 400	acehlo
	0529805602	006556	PARASPRUZZI 800	SPLASH GUARD 800	bdfgmnpg
42	0805848201	055995	RASCHIETTO	SCRAPER	
43	0506887400	056347	LAMA PER RASCHIETTO	BLADE FOR SCRAPER	
44	0830851300	056940	SPATOLA PER PIASTRA RIGATA	PADDLE FOR RIBBED PLATE	
45	0516860700	0C0137	PIASTRINA PER GIUNZIONE	JOINTING REAR PLATE	
46	0541810600	0C0187	TAPPO POSTERIORE RIPIANO	STOPPER	