

TAVOLI STANDARD BENEFIT REFRIGERATI / REMOTI-2/+10°C AND FREEZER  
BENEFIT COUNTERS FREEZER / REMOTE -2/+10°C -15/22°C

# BENEFIT COUNTERS

UP DATE 09/2014

*This document is available from to ser.N°74200001 with Carel Series IR33 control*

Code	Avv	Model and Type	Ref	Brand	Page
726202	22/22	RCSN2M2R2 - DOOR REFRIGERATED TABLE -2C - REMOTE	a	To Brand	2,3,4,5
726203	18/18	RCSN2M12R- 1 DOOR+2 DRAWER REFRIG. TABLE -2C-REMOTE	b	To Brand	2,3,4,5
726210	21/21	RCSN3M3R - 3 DOOR REFRIGERATED TABLE -2C - REMOTE	d	To Brand	2,3,4,5
726211	17/17	RCSN3M22R - 2 DOOR+2 DRAWER REFRIG. TABLE -2C-REMOTE	c	To Brand	2,3,4,5
726212	17/17	RCSN3M14R - 1 DOOR+4 DRAWER REFRIG. TABLE -2C-REMOTE	e	To Brand	2,3,4,5
726213	21/21	RCSN4M4R - 4 DOOR REFRIGERATED TABLE -2C - REMOTE	f	To Brand	2,3,4,5
726220	17/17	RCSN4M32R - 3 DOOR+2 DRAWER REFRIG. TABLE -2C-REMOTE	g	To Brand	2,3,4,5
726221	17/17	RCSN4M24R - 2 DOOR+4 DRAWER REFRIG. TABLE -2C-REMOTE	h	To Brand	2,3,4,5
727009	19/19	RCSF2M24 - 2 DOOR DIG. FREEZER TABLE -20°C - S/S A430	i	To Brand	2,3,6,7
727010	19/19	RCSF3M34 - 3 DOOR DIG. FREEZER TABLE -20°C - S/S A430	l	To Brand	2,3,6,7
727231	05/05	RCSF2M2GK - 2-DOOR DIG. FREEZER TABLE -20°C Greene King	q	To Brand	2,3,6,7
727232	04/04	RCSF3M3GK - 3-DOOR DIG. FREEZER TABLE -20°C Greene King	r	To Brand	2,3,6,7
728512	21/21	RCSF2M2 - 2-DOOR DIG. FREEZER TABLE -20°C	m	To Brand	2,3,6,7
728517	22/22	RCSF3M3 - 3-DOOR DIG. FREEZER TABLE -20°C	n	To Brand	2,3,6,7
728518	23/23	RCSF2M12 - 1-DOOR+2x½ DRAW. DIG.FREEZER TABLE -20°C	o	To Brand	2,3,6,7
728519	23/23	RCSF3M22 - 2-DOOR+2x½ DRAW. DIG.FREEZER TABLE -20°C	p	To Brand	2,3,6,7

**note:**

- Have been changed the doors and drawers from gasket foamed to gasket replaceable by hand. The new door and front drawer replaces the previous model but the gasket doesn't included, please order separately.( from ser.N°1003000..)
- From serial n° 72300001 has been replace relè with electrical magnetic switch
- Cell and evaporator probes have been replaced with a new model, the main differences are the color of cable and type of sensor, this new probe replace the previous model without add new updates at digital control.Ser:N°8500001
- Update the vertical support and frame from serial N° 84900001

**Note:**

*From 11/2014 the components on pages 3 (pos.37-38) have been added*

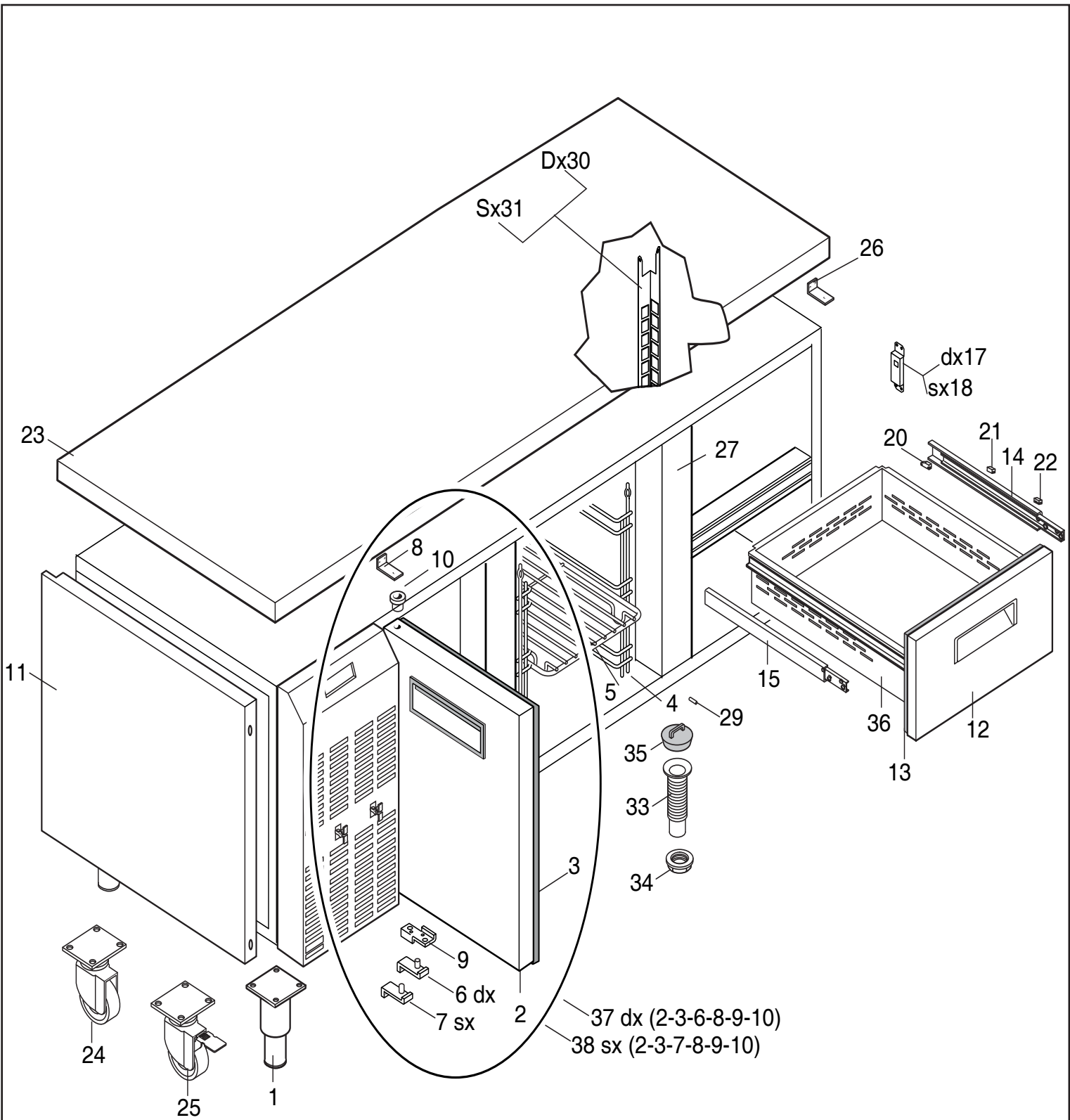
Pag./Page	Indice	Index
2	Esploso tavolo	Counter exploded view
3	Lista ricambi	Spare parts list
4	Esploso gruppo	Cooling unit exploded view
5	Lista ricambi	Spare parts list
6	Eploso gruppo remoto	Remote cooling unit exploded view
7	Lista ricambi	Spare parts list

Marchio / Brand: Electrolux / Zanussi / Alpeninox  
Paese / Country: Tutti / All

updated 11/2014

Page: 1 Ed. 14-04- 2008

Doc. Nr. **531300b**



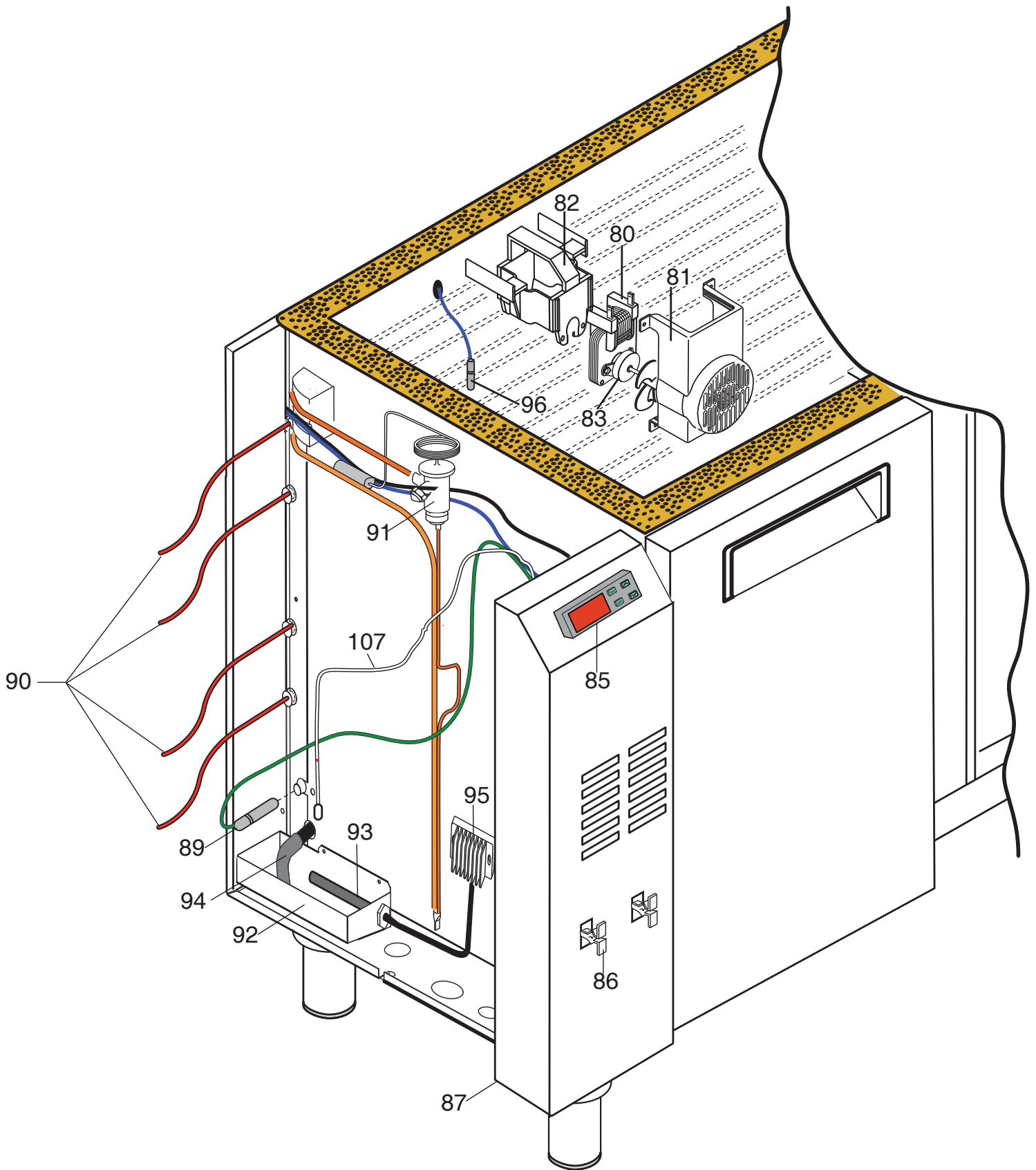
Kit cassettera 1/2 codice 9F 880023  
 Kit drawers 1/2 code 9F 880023

Kit Struttura in acciaio per vano cod 9F 880530  
 Kit stainless steel support for shelf code 9F 880530

## Benefit counters

PNC REF 726202 a 727010 l	PNC REF 726203 b 728512 m	PNC REF 726211 c 728517 n	PNC REF 726210 d 728518 o	PNC REF 726212 e 728519 p	PNC REF 726213 f 727231 q	PNC REF 726220 g 727232 r	PNC REF 726221 h	PNC REF 727009 i
---------------------------------	---------------------------------	---------------------------------	---------------------------------	---------------------------------	---------------------------------	---------------------------------	---------------------	---------------------

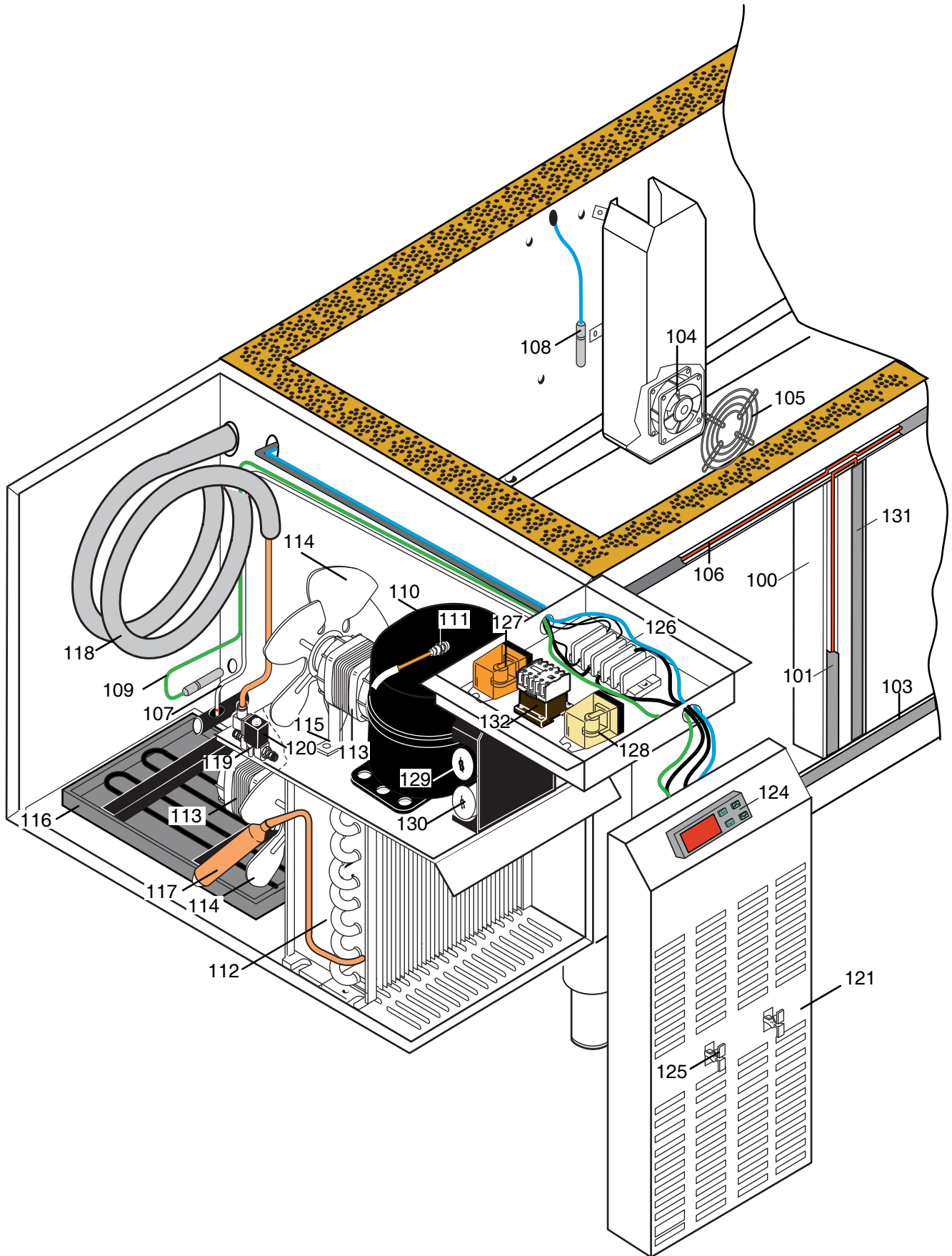
Pos	Code	Descrizione	Description	Ref. / Notes
		RIFERIMENTO PAG 2	REFERENCE PAGE 2	
1	091610	Piedino	Foot	
2	092578	Porta senza guarnizione	Door without gasket	
2	091939	Porta con guarnizione A430	Door with gasket A430	i,l up to 024070..(2010)
2	092797	Porta con guarnizione A430	Door with gasket A430	i,l,q,r from to 025070..(2010)
3	089183	Guarnizione porta	Door gasket (replace by cut)	Until to ser.N°1002000..
3	099531	Guarnizione porta (replace by hand)	Door gasket (replace by hand)	From ser.N°1003000..
4	089142	Struttura per griglia (dx-sx)	Support for shelf (right -left)	a,d,f,i,l,m,n,o,p,q,r up to 4241...
4	094350	Struttura per griglia (dx-sx)	Support for shelf (right -left)	a,d,f,i,l,m,n,o,p,q,r from 4251...
5	083615	Griglia	Shelf	
6	089143	Cerniera inferiore porta dx	Lower door hinge (right)	a,c,d,e,f,g,h,i,l,n,o,p up to 024070..(2010)
6	092794	Cerniera inferiore porta dx	Lower door hinge (right)	a,c,d,e,f,g,h,i,l,n,o,p,q,r from to 025070..(2010)
7	089144	Cerniera inferiore porta sx	Lower hinge door (left)	a,b,c,d,e,f,g,h,i,l,m,n up to 024070..(2010)
7	092792	Cerniera inferiore porta sx	Lower hinge door (left)	a,b,c,d,e,f,g,h,i,l,m,n,q,r from to 025070..(2010)
8	089145	Cerniera superiore porta	Upper hinge for door	up to 024070..(2010)
8	092793	Cerniera superiore porta	Upper hinge for door	from to 025070..(2010)
9	089146	Fermo porta inferiore	Lower door stoppers	
10	081807	Boccola per cerniera superiore	Bush for upper hinge	
11	089965	Pannello laterale gruppo	Side cover for cooling	a,b,c,d,e,f,g,h,n,o,p
11	091940	Pannello laterale gruppo A430	Side cover for cooling A430	i,l,q,r
12	092579	Frontale Cassetto 1/2	Front Drawer 1/2	b,c,e,g,h,p
13	089148	Guarnizione cassetto 1/2	Drawer gasket 1/2 (replace by cut)	c,b,e,g,h until serial N°1002000..
13	099538	Guarnizione cassetto 1/2	Drawer gasket 1/2 (replace by hand)	c,b,e,g,h from serial N°1003000..
14	089149	Guida dx per cassetto 1/2-2/3	Right runner for drawer 1/2-2/3	b,c,e,g,h,o,p
15	089150	Guida sx per cassetto 1/2-2/3	Left runner for drawer 1/2-2/3	b,c,e,g,h,o,p
17	089152	Supporto DX per guide cassetto1/2	Right support for drawer runner 1/2	b,c,e,g,h,o,p
18	089153	Supporto SX per guide cassetto 1/2	Left support for drawer runner 1/2	b,c,e,g,h,o,p
20	089157	Arresto posteriore per guide cassetto	Rear stopping for runners drawer	
21	089158	Pattino centrale per guide cassetto	Central guide block for runners drawer	
22	089159	Arresto anteriore per guide cassetto	Front stopping for runners drawer	
23	089160	Ripiano senza alzatina 2 comp	Top without upstand 2 comp	i,m,o,q
23	089163	Ripiano senza alzatina 2 comp.rem	Top without upstand 2comp rem	a,b
23	089164	Ripiano senza alzatina 3 comp.rem	Top without upstand 3 comp rem	c,d,e
23	089161	Ripiano senza alzatina 3 comp.	Top without upstand 3 comp	l,n,p,r
23	089189	Ripiano senza alzatina 4 comp.rem	Top without upstand 4comp.rem	f,g,h
24	087111	Ruota	Wheel	
25	087110	Ruota con freno	Wheel with brake	
26	089165	Staffa fissaggio piano	Braket for fixing top	b,c,e,g,h,o,p
27	099424	Assieme montante plastica	Central support	a,b,c,d,e,f,g,h
27	099882	Assieme montante schiumato	Central support in foamed	i,l,m,n,o,p until serial n°848.....
27	092156	Assieme montante schiumato	Central support in foamed	i,l,m,n,o,p until serial n°849.....
27	092107	Assieme montante schiumato	Central support in foamed	q,r
29	082757	Perno (pe struttura griglia)	Pin (install in the back support grid)	a,b,e,f,g,h
30	089151	Cremagliera poterioreper 1/2	Back rack for drawer runner for 1/2	b,c,e,g,h,o
31	089151	Cremagliera poterioreper 1/2	Back rack for drawer runner for 1/2	b,c,e,g,h,o
33	081823	Piletta	Pipe	
34	081797	Controdado	Nut	
35	085535	Tappo	Plug	
36	091363	Assieme involucro cass.1/2	Drawers container to 1/2	b,c,e,g,h,o,p
37	094437	Assieme porta dx (2-3-6-8-9-10)	Door assembly (right 2-3-6-8-9-10)	a,d,f,m,n,o,p
38	094438	Assieme porta sx (2-3-7-8-9-10)	Door assembly (left 2-3-7-8-9-10)	a,d,f,m,n



## Benefit counters

<i>PNC REF</i> 726202 a 727010 l	<i>PNC REF</i> 726203 b 728512 m	<i>PNC REF</i> 726211 c 728517 n	<i>PNC REF</i> 726210 d 728518 o	<i>PNC REF</i> 726212 e 728519 p	<i>PNC REF</i> 726213 f 727231 q	<i>PNC REF</i> 726220 g 727232 r	<i>PNC REF</i> 726221 h	<i>PNC REF</i> 727009 i
--	--	--	--	--	--	--	----------------------------	----------------------------

Pos	Code	Descrizione	Description	Ref. / Notes
		RIFERIMENTO PAG 4 (REMOTO) REFERENCE PAGE 4 (REMOTE)		
80	089166	Ventilatore cella con ventola	Motor-ventilator with fan for cell	all-(with cable 2150mm left side position)
80	089167	Ventilatore cella con ventola	Motor-ventilator with fan for cell	(with cable 2600mm) for 3-4 comp. (middle)
80	089168	Ventilatore cella con ventola	Motor-ventilator with fan for cell	(with cable 3050mm) for 4 comp. (right)
81	089169	Convogliatore per ventilatore cella	Conveyor for cell motor-ventilator	
82	089182	Supporto ventilatore cella	Support cell motor-ventilator	
83	0A8719	Gommino per ventilatore	Rubber for motor-ventilator	
85	091609	Termoregolatore IR33	Thermoregulator IR33	to be set
86	053342	Molla per arresto marchio	Brand plate retaining spring	
87	091675	Cruscotto comandi	Control panel	
89	099660	Sonda evaporatore	Evaporator/defrost probe	it'll be out production from serial n°8490.....
89	092179	Sonda evaporatore (green) S2	Evaporator/defrost probe (green) S2	it'll replace the old 099660 from serial n°850..
90	089179	Resistenze di sbinamento evaporat.	Defrost heating element	for 2 compartement
90	089180	Resistenze di sbinamento evaporat.	Defrost heating element	for 3 compartement
90	089181	Resistenze di sbinamento evaporat.	Defrost heating element	for 4 compartement
91	088501	Valvola termostatica	Thermostatic valve	
92	*	Bacinella raccolta condensa	Tray condenser	Art. kit 9f880028
93	083814	Resistenza per avaporazione conden.	Heating element for tray condenser	
94	544716403	Piletta di scarico per bacinella	Discharge pipe for tray condenser	up to from to 139070..(2011)
94	544718901	Piletta di scarico per bacinella	Discharge pipe for tray condenser	from to 140070..(2011)
96	088405	Sonda cella	Cell probe	it'll be out production from serial n°8490.....
96	092175	Sonda cella (blue) S1	Cell probe (blue) S1	it'll replace the old 088405 from serial n°850..
*	089614	Isolante per valvola termostatica	Thermostatic valve insulation	
107	099887	Cavo riscaldante per piletta	Heating cable for discharge pipe	a from to 140070..(2011)



## Benefit counters

PNC REF	PNC REF	PNC REF	PNC REF	PNC REF	PNC REF	PNC REF	PNC REF	PNC REF
726202 a	726203 b	726211 c	726210 d	726212 e	726213 f	726220 g	726221 h	727009 i
727010 l	728512 m	728517 n	728518 o	728519 p	727231 q	727232 r		

Pos	Code	Descrizione	Description	Ref. / Notes
		<div style="border: 1px solid black; padding: 5px; display: inline-block;"> <b>RIFERIMENTO PAG 6 (FREEZER) REFERENCE PAGE 6 (FREEZER)</b> </div>		
100	099882	Assieme montante	Central support	i,l,m,n,o until serial n°848.....
100	092107	Assieme montante	Central support	i,l,m,n,o,q,r until serial n°849.....
101	091131	Riscontro per montante con porte	Frame for support with door	until serial n°848.....
101	092156	Riscontro per montante con porte	Frame for support with door	until serial n°849.....
101	092206	Riscontro per montante con porte	Frame for support with door	from to 041070..(2010)
102	099857	Riscontro verticale	Vertical frame	up to 041070..(2010)
102	91827	Riscontro verticale	Vertical frame	from to 041070..(2010)
103	099884	Riscontro orizzontale	Orizzontal frame	i,m,o up to 041070..(2010)
103	91825	Riscontro orizzontale	Orizzontal frame	i,m,o,q from to 041070..(2010)
103	099885	Riscontro orizzontale	Orizzontal frame	l,n,p,r
104	088012	Ventilatore cella	Cell matorfan	
105	087995	Griglia metallica per ventilatore	Fan grid	
106	091133	Cavo riscaldante	Heating cable for frame	i,m,q
106	091134	Cavo riscaldante	Heating cable for frame	l,n,r
106	091135	Cavo riscaldante	Heating cable for frame	o
106	099889	Cavo riscaldante	Heating cable for discharge pipe	p
107	099887	Cavo riscaldante per piletta	Heating cable for discharge pipe	i,m,o,q
107	099888	Cavo riscaldante per piletta	Heating cable for discharge pipe	l,n,p,r
108	088183	Sonda cella	Cell probe	Up to serial n°8490.....
108	092176	Sonda cella "blue" S1	Cell probe "blue" S1	From serial n°850..up to 844070..(2008)
108	092175	Sonda cella "blue" S1	Cell probe "blue" S1	from to 845070..(2008)
109	099660	Sonda di sbrinamento	Defrost probe	Up to serial n°8490.....
109	092179	Sonda di sbrinamento "green" S2	Defrost probe "green" S2	From serial n°850..
110	084464	Compressore T2178GK	Compressor T2178GK	up to 249070..(2012)
110	084R088..	Compressore NT2180GK	Compressor NT2180GK	from to 250100..(2012)
111	0A9459	Valvola di ricarica	Valve for gas	up to 249070..(2012)
111	085505	Valvola di ricarica	Valve for gas	from to 250100..(2012)
112	089172	Condensatore	Condenser	
113	085674	Ventilatore condensatore\compres.	Motorfan for compressor\condenser	
114	089696	Ventola condensatore\compres.	Fan for compressor\condenser	
115	082150	Staffa per ventilatore	Fanmotor support	
116	084585	Bacinella raccolta condensa	Water basin	
117	084078	Filtro deidratatore	Dehidrator filter	
118	099890	Scambiatore	Heat exchanger	
119	087694	Corpo valvola	Body valve	
120	085847	Bobina per valvola	Coil	
121	091678	Cruscotto comandi	Comand panel	m,n,o,p
121	091676	Cruscotto comandi A430	Comand panel A430	i,l,q,r
122	089905	Guarnizione	Gasket thermoregulator	
123	089175	Tasto ON\OFF	ON\OFF Switch	
124	091642	Termoregolatore IR33 carel	Thermoregulator IR33 carel	to be set
125	053342	Molla per marchio	Brand retaining spring	
126	087067	Morsettiera	Clamp	
127	0A9596	Relè "RM 205.730"16A Schrack	Relay "RM 205.730"16A Schrack	until to ser.N°9220.....
128	083215	Rele' 60.62.8.230 Finder	Relay' 60.62.8.230 Finder	
129	084323	Condensatore di marcia	Run capacitor	for comp.T2178GK
130	083499	Condensatore di spunto	Start capacitor	for comp.T2178GK
131	091132	Riscontro montante vert. con cass.	Frame support with drawers	o,p until serial n°848.....
131	092156	Riscontro montante vert. con cass.	Frame support with drawers	o,p until serial n°849.....
132	088557	Teleruttore	Electromagnetic switch	From serial N°72300001
*	082967	Tappo da utilizzare su montante	Plug for support	