

Modular Platform

Viale Treviso, 15
33170 Pordenone - Italy
Fax: +390434-380577

**FRY TOP GAS N700
GAS GRIDDLES N700**

| PNC | Model | Ref. | Page | Notes |
|------------|--------------|-------------|-------------|---|
| 178 645 | TR/G1FL | a | 1-5 | Gas Fry Top smooth plate 400MM |
| 178 646 | TR/G1FR | b | 1-5 | Gas Fry Top Ribbed plate 400MM |
| 178 647 | TR/G1CL | c | 1-5 | Gas Fry Top smooth Crh Plate 400MM |
| 178 648 | TR/G2FL | d | 1-5 | Gas Fry Top smooth plate 800MM |
| 178 649 | TR/G2FM | e | 1-5 | Gas Fry Top smooth+Ribbed Plate 800MM |
| 178 650 | TR/G2CL | f | 1-5 | Gas Fry Top smooth Crh Plate 800MM |
| 178 657 | TR/G2CM | g | 1-5 | Gas Fry Top smooth+Ribbed Chr.Plate 800MM |

Pag. 1
Pag. 2
Pag. 3
Pag. 4
Pag. 5

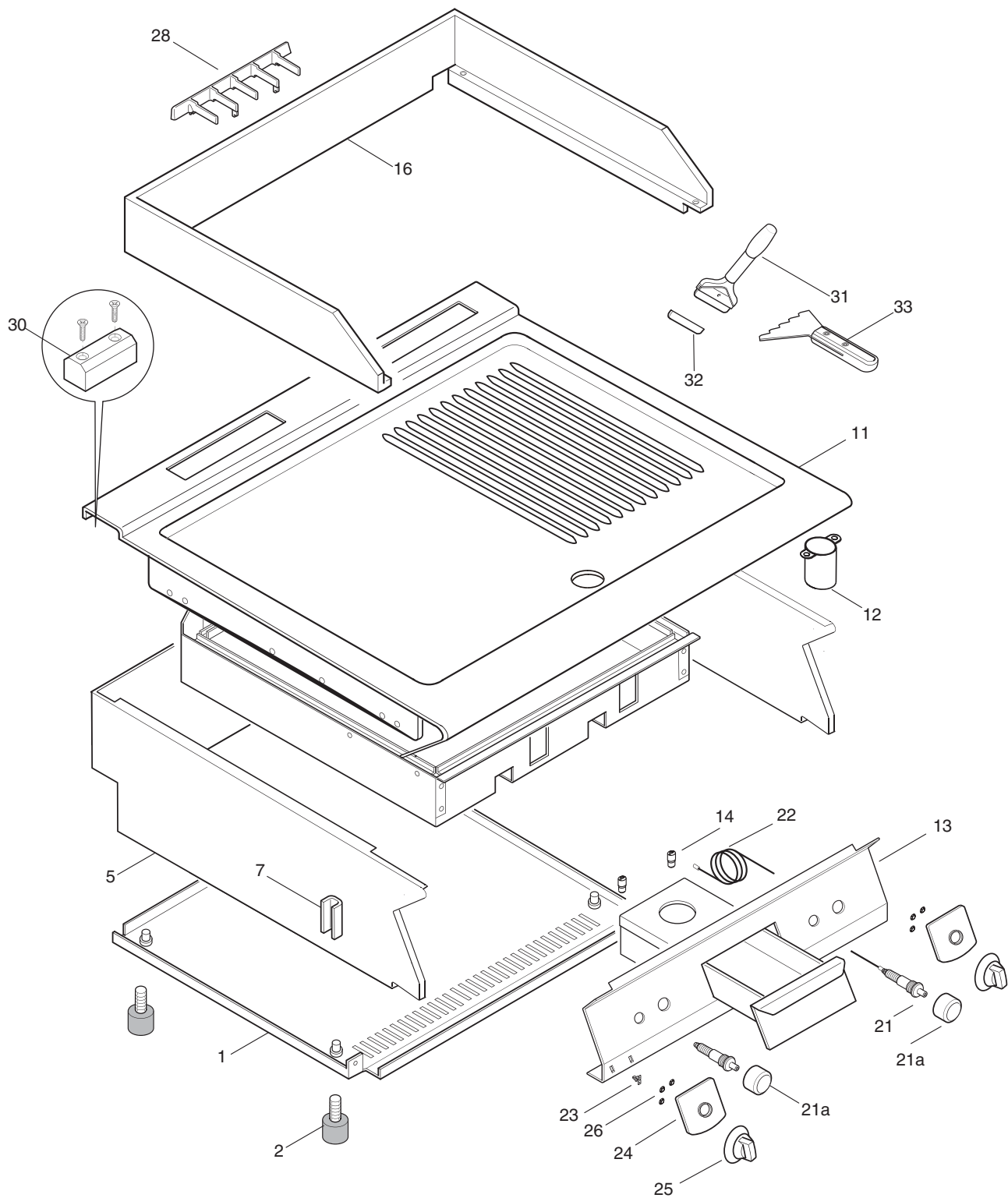
Index

Frame
Functional components mild steel plate
Functional components chrome plate
Spare parts list frame
Spare parts list functional

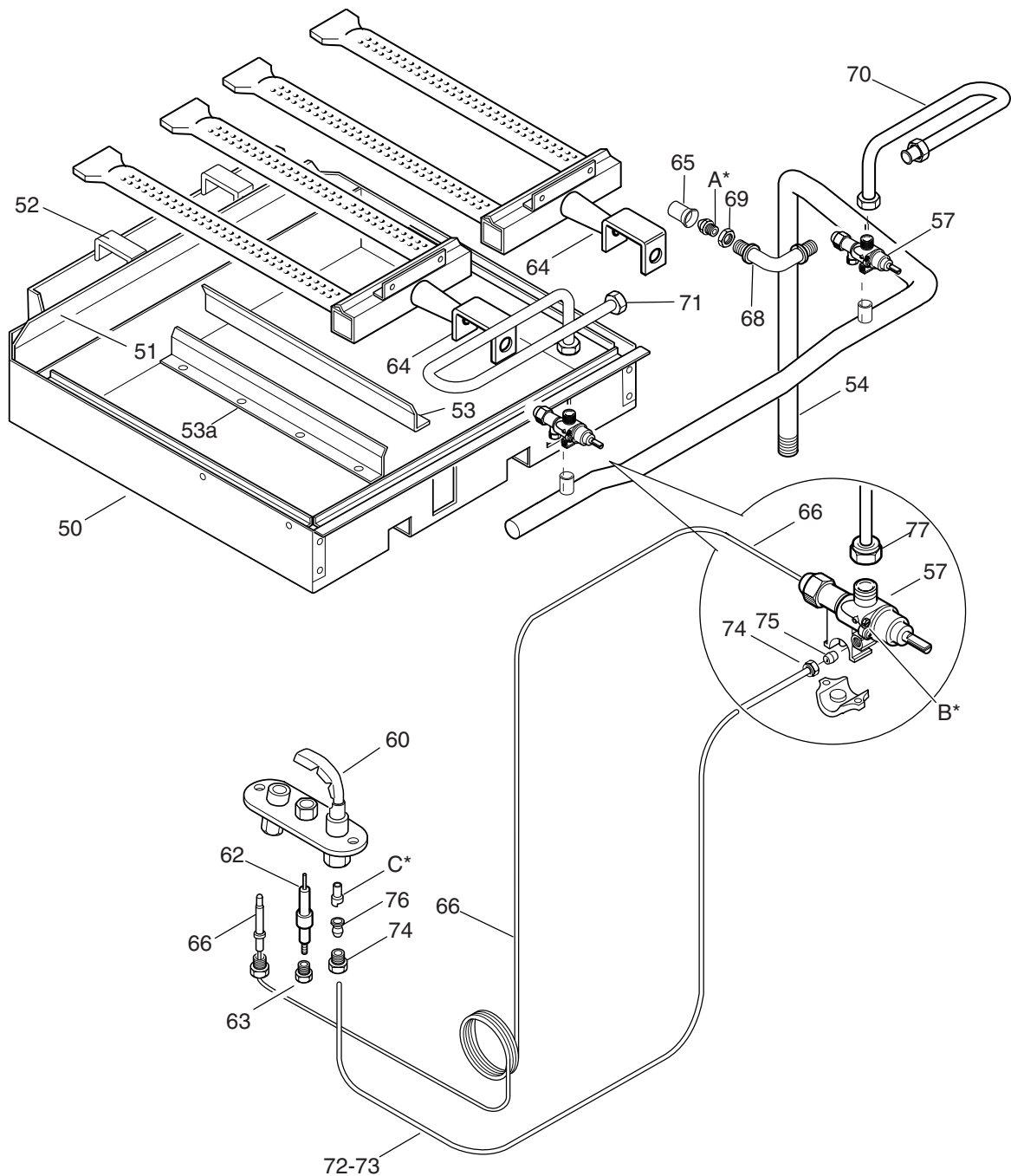
Indice

Mobile
Componenti funzionali piastra ferro
Componenti funzionali piastra cromo
Lista ricambi mobile
Lista ricambi funzionali

Brand / Marchio : Electrolux
Factory code: 9PDX



Fry Top Gas N700
Gas FryTop N700



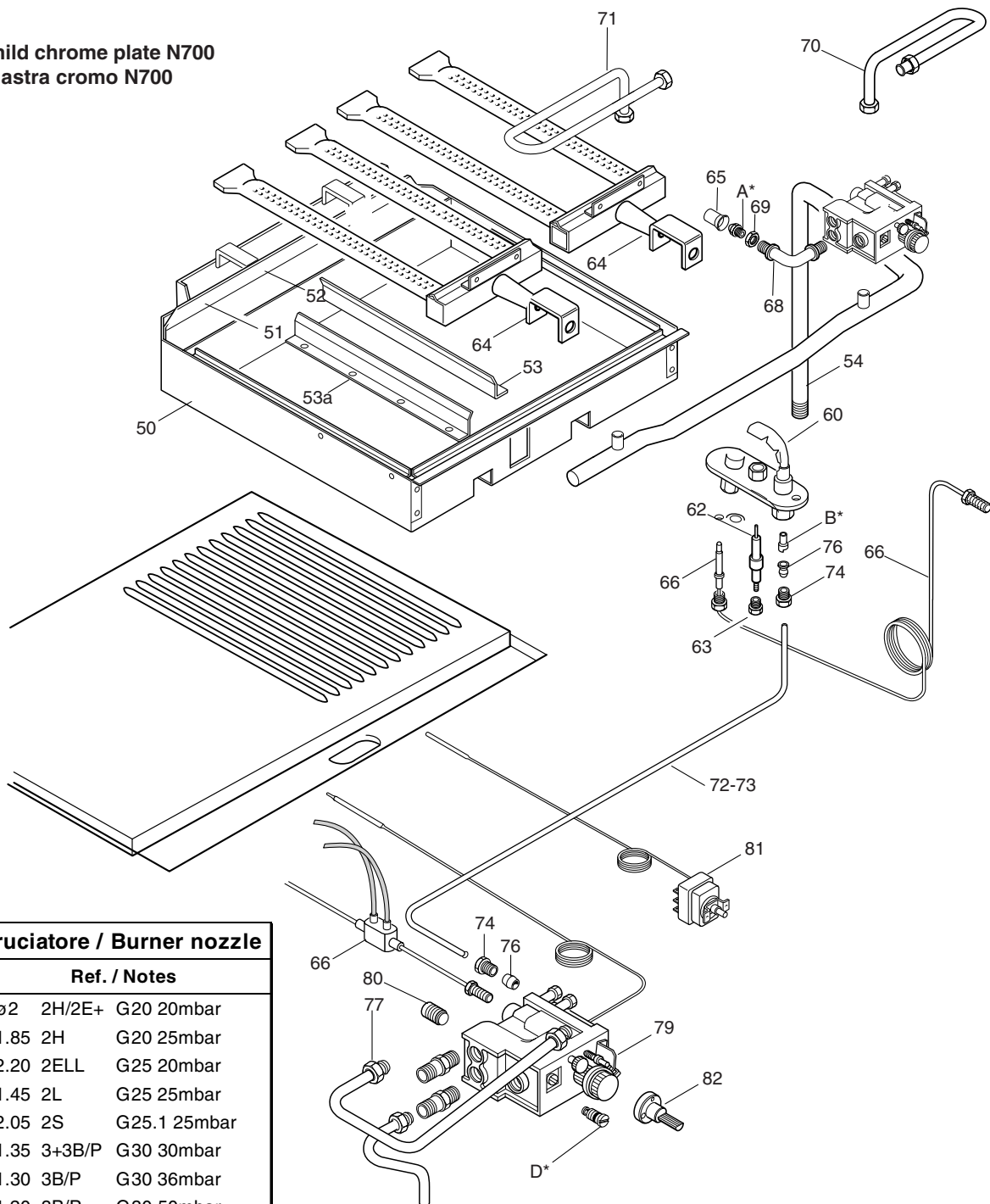
| A - Ugello bruciatore / Burner nozzle | |
|---------------------------------------|-------------------------|
| 6DGT Code | Ref. / Notes |
| 0A2102 | ø2 2H/2E+ G20 20mbar |
| 0A2077 | ø1.85 2H G20 25mbar |
| 0A2083 | ø2.20 2ELL G25 20mbar |
| 058335 | ø1.45 2L G25 25mbar |
| 059418 | ø2.05 2S G25.1 25mbar |
| 0A2533 | ø1.35 3+3B/P G30 30mbar |
| 002393 | ø1.30 3B/P G30 36mbar |
| 0A2650 | ø1.20 3B/P G30 50mbar |
| 0A2083 | ø2.20 No CE G20 10mbar |
| 0A2306 | ø4 No CE G110 8mbar |

| B - Ugello pilota / Pilot nozzle | |
|----------------------------------|------------------------|
| 6DGT Code | Ref. / Notes |
| 059215 | n°27 2H/2E+ G20 20mbar |
| 059215 | n°27 2H G20 25mbar |
| 059215 | n°27 2ELL G25 20mbar |
| 059215 | n°27 2L G25 25mbar |
| 059215 | n°27 2S G25.1 25mbar |
| 059216 | n°14 3+3B/P G30 30mbar |
| 059216 | n°14 3B/P G30 36mbar |
| 059216 | n°14 3B/P G30 50mbar |
| 059215 | n°27 No CE G20 10mbar |
| 059356 | n°50 No CE G110 8mbar |

| C - Vite di minimo / Min screw | |
|--------------------------------|-------------------------|
| 6DGT Code | Ref. / Notes |
| 002994 | n°145 2H/2E+ G20 20mbar |
| 002994 | n°145 2H G20 25mbar |
| 002994 | n°145 2ELL G25 20mbar |
| 002994 | n°145 2L G25 25mbar |
| 002994 | n°145 2S G25.1 25mbar |
| 004595 | n°100 3+3B/P G30 30mbar |
| 004595 | n°100 3B/P G30 36mbar |
| 002926 | n°90 3B/P G30 50mbar |
| 002994 | n°145 No CE G20 10mbar |
| - | adjust No CE G110 8mbar |

Fry Top Gas mild steel plate N700
Gas FryTop piastra ferro N700

Fry Top Gas mild chrome plate N700
Gas FryTop piastra cromo N700



| A - Ugello bruciatore / Burner nozzle | |
|--|-------------------------|
| 6DGT Code | Ref. / Notes |
| 0A2102 | ø2 2H/2E+ G20 20mbar |
| 0A2077 | ø1.85 2H G20 25mbar |
| 0A2083 | ø2.20 2ELL G25 20mbar |
| 058335 | ø1.45 2L G25 25mbar |
| 059418 | ø2.05 2S G25.1 25mbar |
| 0A2533 | ø1.35 3+3B/P G30 30mbar |
| 002393 | ø1.30 3B/P G30 36mbar |
| 0A2650 | ø1.20 3B/P G30 50mbar |
| 0A2081 | ø2.30 No CE G20 10mbar |
| 002979 | ø4 No CE G110 8mbar |

| B - Ugello pilota / Pilot nozzle | |
|---|------------------------|
| 6DGT Code | Ref. / Notes |
| 059215 | n°27 2H/2E+ G20 20mbar |
| 059215 | n°27 2H G20 25mbar |
| 059215 | n°27 2ELL G25 20mbar |
| 059215 | n°27 2L G25 25mbar |
| 059215 | n°27 2S G25.1 25mbar |
| 059216 | n°14 3+3B/P G30 30mbar |
| 059216 | n°14 3B/P G30 36mbar |
| 059216 | n°14 3B/P G30 50mbar |
| 059215 | n°27 No CE G20 10mbar |
| 059356 | n°50 No CE G110 8mbar |

| C - Vite di minimo Crh/ Min screw Crh | |
|--|-------------------------|
| 6DGT Code | Ref. / Notes |
| 0A5422 | n°160 2H/2E+ G20 20mbar |
| 003159 | n°140 2H G20 25mbar |
| 0A5422 | n°160 2ELL G25 20mbar |
| 0A5422 | n°160 2L G25 25mbar |
| 0A5422 | n°160 2S G25.1 25mbar |
| 003321 | n°110 3+3B/P G30 30mbar |
| 004602 | n°100 3B/P G30 36mbar |
| 0C2987 | n°90 3B/P G30 50mbar |
| 004599 | n°150 No CE G20 10mbar |
| - | adjust No CE G110 8mbar |

**FRY TOP GAS N700
GAS GRIDDLE N700**

| Code | Model | Ref. | Code | Model | Ref. |
|---------|---------|------|---------|---------|------|
| 178 645 | TR/G1FL | a | 178 649 | TR/G2FM | e |
| 178 646 | TR/G1FR | b | 178 650 | TR/G2CL | f |
| 178 647 | TR/G1CL | c | 178 657 | TR/G2CM | g |
| 178 648 | TR/G2FL | d | | | |

| Pos | Factory Code | 6 Dgt Code | Descrizione | Description | Ref. / Notes |
|-----|--------------|------------|------------------------------|-------------------------|-----------------------|
| | | | Pagina 1 | Page 1 | |
| 1 | 0533826100 | * | FONDO 400mm | BOTTOM PANEL 400mm | a b c till s/n 802 |
| | 0530865200 | * | FONDO 400mm | BOTTOM PANEL 400mm | a b c since s/n 802 |
| | 0533826200 | * | FONDO 800mm | BOTTOM PANEL 800mm | d e f g till s/n 802 |
| | 0530865300 | * | FONDO 800mm | BOTTOM PANEL 800mm | d e f g since s/n 802 |
| 3 | 0315252601 | 026806 | PIEDE | FOOT | |
| 5 | 0532836900 | * | RIVESTIMENTO LATERALE 400 mm | EXTERNAL PANEL 400 mm | a b c till s/n 802 |
| | 0530866800 | * | RIVESTIMENTO LATERALE 400 mm | EXTERNAL PANEL 400 mm | a b c since s/n 802 |
| | 0532837000 | * | RIVESTIMENTO LATERALE 800 mm | EXTERNAL PANEL 800 mm | d e f g till s/n 802 |
| | 0530866900 | * | RIVESTIMENTO LATERALE 800 mm | EXTERNAL PANEL 800 mm | d e f g since s/n 802 |
| 11 | 0873889700 | 0C4512 | RIPIANO 400mm | TOP 400mm | a |
| | 0873889800 | 0C4513 | RIPIANO 400mm | TOP 400mm | b |
| | 0873889900 | 0C4514 | RIPIANO 400mm | TOP 400mm | c |
| | 0873890300 | 0C4518 | RIPIANO 800mm | TOP 800mm | d |
| | 0873890400 | 0C4519 | RIPIANO 800mm | TOP 800mm | e |
| | 0873890500 | 0C4520 | RIPIANO 800mm | TOP 800mm | f |
| | 0873890600 | 0C4521 | RIPIANO 800mm | TOP 800mm | g |
| 12 | 0806860100 | * | TUBO DI SCARICO | DRAIN PIPE | |
| 13 | 0856820002 | 0C5167 | CRUSCOTTO 400mm | CONTROL PANEL 400mm | a b |
| | 0856816202 | 0C5166 | CRUSCOTTO 800mm | CONTROL PANEL 800mm | c |
| | 0856820102 | 0C5175 | CRUSCOTTO 400mm | CONTROL PANEL 400mm | d e |
| | 0856816302 | 0C5176 | CRUSCOTTO 800mm | CONTROL PANEL 800mm | f g |
| 14 | 0518816900 | * | PIOLINO M5 DIAM 6 | PEG M5 DIAM 6 | |
| 15 | 0527850500 | 0C0156 | PIASTRINA FACCIATA FIANCO | PLATE JOINTING | |
| 16 | 0532806901 | 0C2964 | PARASPRUZZI 400 mm | SPLASHBACK 400 mm | a b c f |
| | 0532807101 | 0C2965 | PARASPRUZZI 800 mm | SPLASHBACK 800 mm | d g |
| 21 | 0835834900 | 002605 | ACCENDITORE PIEZO | PIEZOELECTRIC IGNITER | |
| 21a | 0538809300 | * | COPERTURA PIEZO | COVER, PIEZO | |
| 22 | 0638883500 | 006514 | CAVO ACCENDITORE | IGNITION CABLE | |
| 23 | 0518801801 | 053342 | MOLLA PER MARCHIO | SPRING, LABEL | |
| 24 | 0548858100 | 0C2008 | GHIERA RUBINETTO | KNOB RING, GAS TAP | a b d e |
| | 0548872100 | 0C4567 | GHIERA VALVOLA EUROSIT | KNOB RING, GAS VALVE | c f |
| 25 | 0548859700 | 0C2009 | MANOPOLA RUBINETTO | KNOB, GAS TAP | a b d e |
| | 0548871800 | 0C4489 | MANOPOLA VALVOLA GAS | KNOB, GAS VALVE | c f g |
| 26 | 0218912211 | 069567 | MOLLA FISSAGGIO GHIERA | SPRING, KNOB RING | |
| 27 | 0851811201 | 0C2721 | CASSETTO 400mm | DRAWER 400mm | a b c |
| | 0851811301 | 0C2722 | CASSETTO 800mm | DRAWER 800mm | d e f g |
| 28 | 0510824700 | 0C4671 | GRIGLIA CAMINO | GRID CHIMNEY | |
| 30 | 0516860700 | 0C0137 | PIASTRINA UNIONE POST. | PLATE RERA JOINTING | |
| 31 | 0805848201 | 055995 | RASCHIETTO PIASTRA LISCIA | SCRAPER SMOOTH PLATE | c f g |
| | f164257 | 056940 | SPATOLA PER PIASTRA RIGATA | PADDLE FOR RIBBED PLATE | |
| 32 | 0506887400 | 056347 | LAMA PER RASCHIETTO | BLADE FOR SCRAPER | |
| 33 | 0830851300 | 056940 | SPATOLA PER PIASTRA RIGATA | PADDLE FOR RIBBED PLATE | g |
| | f164255 | 055995 | RASCHIETTO PIASTRA LISCIA | SCRAPER SMOOTH PLATE | |

**FRY TOP GAS N700
GAS GRIDDLE N700**

| | | | | | |
|-------------|--------------|-------------|-------------|--------------|-------------|
| Code | Model | Ref. | Code | Model | Ref. |
| 178645 | TR/G1FL | a | 178649 | TR/G2FM | e |
| 178646 | TR/G1FR | b | 178650 | TR/G2CL | f |
| 178647 | TR/G1CL | c | 178657 | TR/G2CM | g |
| 178648 | TR/G2FL | d | | | |

| Pos | Factory Code | 6 Dgt Code | Descrizione | Description | Ref. / Notes |
|-----|--------------|------------|--------------------------------|---------------------------------|--------------|
| | | | Pagina 1 | Page 1 | |
| 50 | 0533826502 | * | CAMERA COMBUSTIONE 400mm | COMBUSTION CHAMBER 400mm | a b c |
| | 0533826602 | * | CAMERA COMBUSTIONE 800mm | COMBUSTION CHAMBER 800mm | d e f |
| 51 | 0533826702 | * | PARETE ANTERIORE CAMINO 400mm | CHIMNEY FRONT PANEL 400mm | a b c |
| | 0533826802 | * | PARETE ANTERIORE CAMINO 800mm | CHIMNEY FRONT PANEL 800mm | d e f |
| 52 | 0528853401 | * | DISTANZIALE CAMINO | CHIMNEY SPACER | |
| 53 | 0528856300 | * | CONVOGLIATORE ARIA LUNGO | AIR CONVECTION DEVICE | |
| 53a | 0528856200 | * | CONVOGLIATORE ARIA CORTO | | |
| 54 | 0856801500 | OC3067 | RIBALTA 400mm | GAS MANIFOLD 400mm | a b |
| | 0856801600 | OC3068 | RIBALTA 800mm | GAS MANIFOLD 800mm | d e |
| | 0856801700 | OC3069 | RIBALTA 400mm VALVOLATO | GAS MANIFOLD 400mm | c |
| | 0856801800 | OC3070 | RIBALTA 800mm VALVOLATO | GAS MANIFOLD 800mm | f g |
| 57 | 0835857201 | OC0205 | RUBINETTO GAS | GAS TAP | a b d e |
| 60 | 0830884101 | 005503 | PILOTA | PILOT BURNER | |
| 62 | 0830863300 | 059380 | ELETTRODO | ELECTRODE | |
| 63 | 0214164101 | 057960 | RACCORDO ELETTRODO | PIPE FITTING, ELECTRODE | |
| 64 | 0830883403 | 004591 | BRUCIATORE | BURNER | |
| 65 | 0215088100 | 052062 | BOCCOLA REGOL.ARIA | BUSH FOR AIR REGULATION | |
| 66 | 0830853101 | 051119 | TERMOCOPPIA | THERMOCOUPLE | a b d e |
| | 0830852101 | 056914 | TERMOCOPPIA INTERROTTA | INTERRUPTED THERMOCOUPLE | c f g |
| 68 | 0511805801 | 059375 | PORTAUGELLO | NOZZLE HOLDER | |
| 69 | 0214105101 | 020997 | CONTRODADO | LOCK NUT | |
| 70 | 0806846001 | OC5160 | CONDUTTURA GAS 400mm | GAS PIPE 400 mm | a b |
| | 0806846801 | OC5159 | CONDUTTURA GAS DESTRA 800mm | GAS PIPE RIGHT SIDE 800mm | d e |
| 71 | 0806846901 | OC5163 | CONDUTTURA GAS SINISTRA 800mm | GAS PIPE LEFT SIDE 800mm | d e |
| | 0806846101 | OC5161 | CONDUTT. SX GAS 400mmVALVOLATO | GAS PIPE LEFT SIDE 400mm | f g |
| | 0806846201 | OC5162 | CONDUTT. DX GAS 400mmVALVOLATO | GAS PIPE RIGHT SIDE 400mm | c f g |
| 72 | 0517896101 | OC5046 | CONDUTTURA PILOTA 400mm | PILOT GAS PIPE 400mm | a b |
| | 0517896401 | OC5070 | CONDUTTURA PILOTA DESTRA 800mm | PILOT GAS PIPE RIGHT SIDE 800mm | d e |
| | 0517896200 | * | CONDUTTURA PILOTA | PILOT GAS PIPE | c f g |
| 73 | 0517896501 | OC5071 | COND. PILOTA SINISTRA 800mm | PILOT GAS PIPE LEFT SIDE 800mm | d e |
| 74 | 0214164400 | 052125 | RACCORDO PILOTA | PIPE FITTING, PILOT | |
| 75 | 0215199700 | 052127 | BICONO PILOTA RUBINETTO | DOUBLE CONE, PILOT GAS TAP | |
| 76 | 0517808700 | 059161 | BICONO PILOTA | DOUBLE CONE, PILOT | |
| 77 | 0514829301 | 0A2125 | DADO PER TUBO | PIPE NUT | |
| | 0214108111 | 041155 | DADO VALVOLA | VALVE NUT | |
| 78 | 0215073101 | 060325 | BICONO BRUCIATORE | DOUBLE CONE VALVE | |
| 79 | 0835826106 | 058772 | VALVOLA EUROSIT | GAS VALVE | c f g |
| 80 | 0835819400 | 056009 | TAPPO VALVOLA | STOPPER FOR GAS VALVE | c f g |
| 81 | 0646808600 | 004600 | LIMITATORE TEMPERATURA | SAFETY THERMOSTAT | c f g |
| 82 | 0548848401 | 004491 | PROLUNGA MANOPOLA | EXTENSION KNOB | c f g |