

**Modular Platform**

Viale Treviso, 15  
33170 Pordenone - Italy  
Fax: +39 0434-380577

**FRYTOP GAS N900**  
**GAS FRYTOP N900**

<b>PNC</b>	<b>Model</b>	<b>Ref.</b>	<b>Page</b>	<b>Notes</b>
220 180	WR/GT1	a	1 - 2 - 3 - 4	Gas Frytop Mild Steel Smooth Flat 400mm
220 181	WR/GT2	b	1 - 2 - 3 - 4	Gas Frytop Mild Steel Smooth Flat 800mm
220 182	WR/GT1R	c	1 - 2 - 3 - 4	Gas Frytop Mild Steel Ribbed Sloped 400mm
220 183	WR/GT2R	d	1 - 2 - 3 - 4	Gas Frytop Mild Steel 1/3 Ribbed Sloped 800mm
220 184	WR/GT1C	e	1 - 2 - 3 - 4	Gas Frytop Chromed Smooth Sloped 400mm
220 185	WR/GT2C	f	1 - 2 - 3 - 4	Gas Frytop Chromed Smooth Sloped 800mm
220 186	WR/GT2CR	g	1 - 2 - 3 - 4	Gas Frytop Chromed 1/3 Ribbed Sloped 800mm

Pag. 1  
Pag. 2 - 3

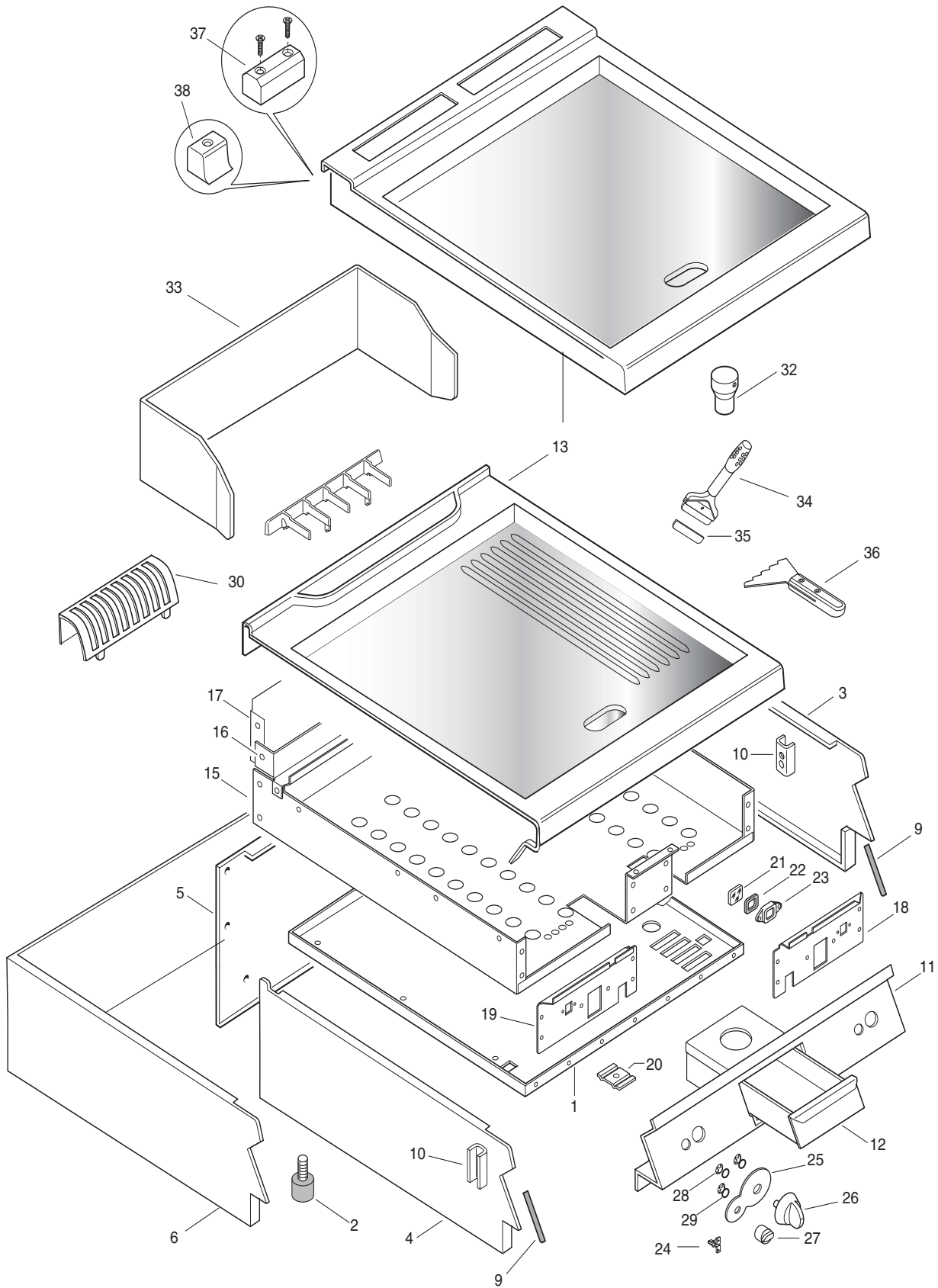
**Index**

Frame and components  
Spare parts list

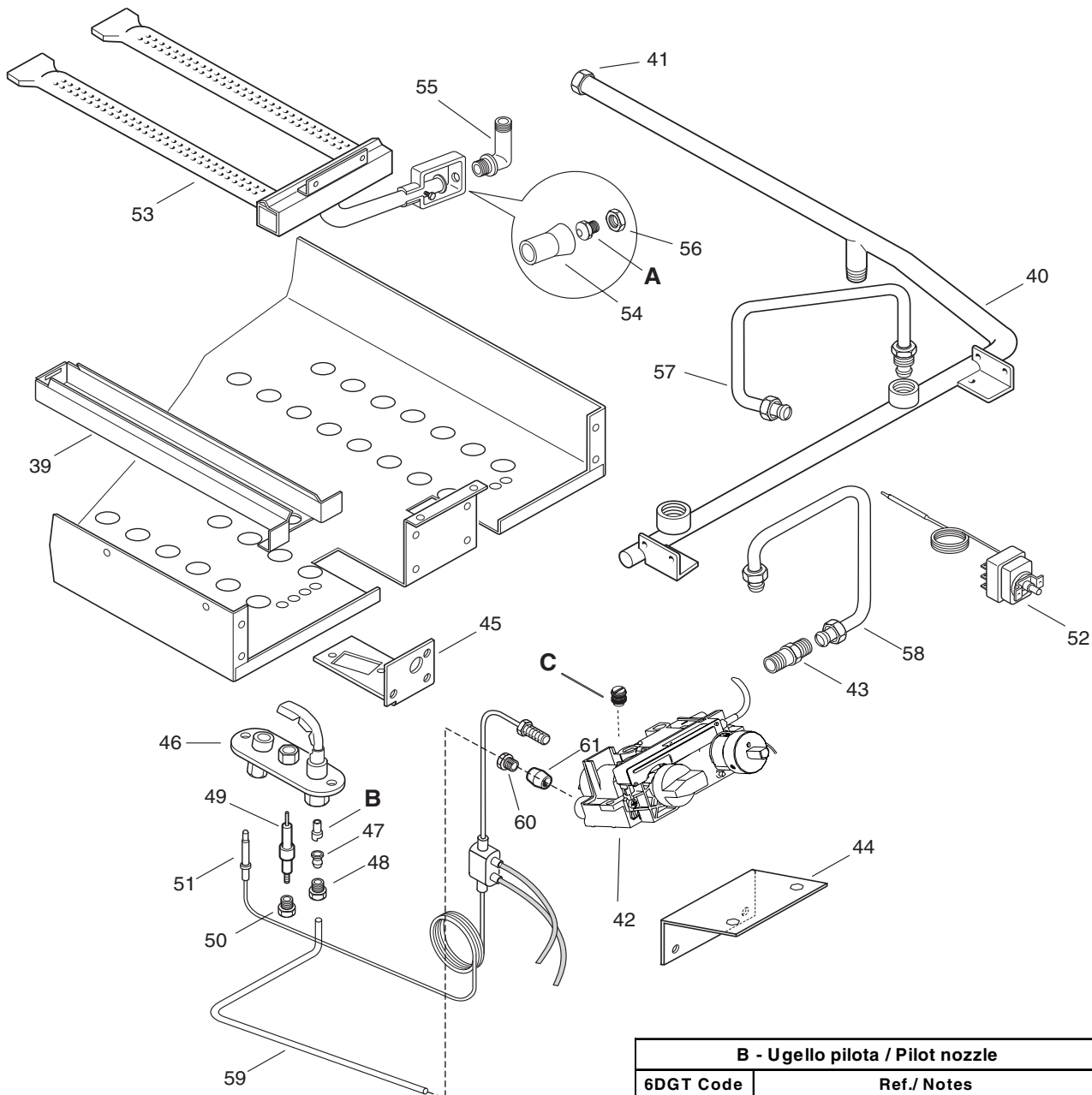
**Indice**

Struttura e componenti  
Lista ricambi

**Brand / Marchio :** Neutral brand  
**Factory code:** 9PDX



FRYTOP GAS N900  
GAS FRYTOP N900



A - Ugello bruciatore / Burner nozzle	
6DGT Code	Ref. / Notes
0A2104	ø2.40 2H/2E+ G20 20mbar
0A2475	ø2.25 2H G20 25mbar
0A2174	ø2.65 2ELL G25 20mbar
059382	ø2.50 2L G25 25mbar
059382	ø2.50 2S G25,1 25mbar
0A2089	ø1.60 3+3B/P G30/31 30mbar
059384	ø1.50 3B/P G30/31 37mbar
0A2082	ø1.40 3B/P G30/31 50mbar
059358	ø2.85 No CE G20 10mbar
0A2106	ø5.00 No CE G110 8mbar

B - Ugello pilota / Pilot nozzle	
6DGT Code	Ref./ Notes
059215	n°27 2H/2E+ G20 20mbar
059215	n°27 2H G20 25mbar
059215	n°27 2ELL G25 20mbar
059215	n°27 2L G25 25mbar
059215	n°27 2S G25,1 25mbar
059216	n°14 3+3B/P G30/31 30mbar
059216	n°14 3B/P G30/31 37mbar
059216	n°14 3B/P G30/31 50mbar
059215	n°27 No CE G20 10mbar
059356	n°50 No CE G110 8mbar

C - Vite minimo / Minimum screw	
6DGT Code	Ref./ Notes
006653	ø1.90 2H/2E+ G20 20mbar
0C4156	ø1.75 2H G20 25mbar
006654	ø2.00 2ELL G25 20mbar
006653	ø1.90 2L G25 25mbar
0C4156	ø1.75 2S G25,1 25mbar
006652	ø1.25 3+3B/P G30/31 30mbar
006651	ø1.10 3B/P G30/31 37mbar
006651	ø1.10 3B/P G30/31 50mbar
006654	ø2.00 No CE G20 10mbar
-	ADJ. No CE G110 8mbar

FRYTOP GAS N900  
GAS FRYTOP N900

**FRYTOP GAS N900**  
**GAS FRYTOP N900**

PNC	Model	Ref.	Notes
220 180	WR/GT1	a	Gas Frytop Mild Steel Smooth Flat 400mm
220 181	WR/GT2	b	Gas Frytop Mild Steel Smooth Flat 800mm
220 182	WR/GT1R	c	Gas Frytop Mild Steel Ribbed Sloped 400mm
220 183	WR/GT2R	d	Gas Frytop Mild Steel 1/3 Ribbed Sloped 800mm
220 184	WR/GT1C	e	Gas Frytop Chromed Smooth Sloped 400mm
220 185	WR/GT2C	f	Gas Frytop Chromed Smooth Sloped 800mm
220 186	WR/GT2CR	g	Gas Frytop Chromed 1/3 Ribbed Sloped 800mm

Pos	Factory Code	6DGT Code	Descrizione	Description	Ref./ Notes
			<b>Pagina 1</b>	<b>Page 1</b>	
1	0530800001	*	FONDO 400	BOTTOM PANEL 400	ace
	0530800101	*	FONDO 800	BOTTOM PANEL 800	bdfg
2	0315252601	026806	PIEDINO CON VITE	SCREW FOOT FOR TOP	
3	0870852900	0C2380	FIANCO DX TOP	RIGHT SIDE PANEL TOP	
4	0870853000	0C2381	FIANCO SX TOP	LEFT SIDE PANEL TOP	
5	0529828601	0C0013	SCHIENALE TOP 400	REAR PANEL 400	
	0529828701	0C0031	SCHIENALE TOP 800	REAR PANEL 800	ace till s/n 903 bdfg
	<b>0530899500</b>	*	<b>RIVESTIMENTO LATERALE 400</b>	<b>EXTERNAL PANEL 400</b>	till s/n 903
		*	<b>RIVESTIMENTO LATERALE 800</b>	<b>EXTERNAL PANEL 800</b>	since s/n 904
9	0140088006	0L0113	GUARNIZIONE PER CRUSCOTTO	GASKET FOR CONTROL PANEL	since s/n 904
10	0527850500	0C0156	PIASTRA FISSAGGIO FIANCHI	SIDE PANEL JOINTING PLATE	
11	0853876500	0C2484	CRUSCOTTO 400	CONTROL PANEL 400	ace
	0853876600	0C2485	CRUSCOTTO 800	CONTROL PANEL 800	bdfg
12	0851804703	0C0583	CASSETTO FRYTOP 400	DRAWER, FRYTOP 400	ace
	0851804803	0C0584	CASSETTO FRYTOP 800	DRAWER, FRYTOP 800	bdfg
13	0873842204	0C2486	RIPIANO PIASTRA FE LISCIO 400	SHELF, SMOOTH FLAT PLATE 400	a till s/n 903
	<b>0870896000</b>	<b>0C5971</b>	<b>RIPIANO PIASTRA FE LISCIO 400</b>	<b>SHELF, SMOOTH FLAT PLATE 400</b>	a since s/n 904
	0873842403	0C2487	RIPIANO PIASTRA FE LISCIO 800	SHELF, SMOOTH FLAT PLATE 800	b till s/n 903
	<b>0870897200</b>	<b>0C5983</b>	<b>RIPIANO PIASTRA FE LISCIO 800</b>	<b>SHELF, SMOOTH FLAT PLATE 800</b>	b since s/n 904
	0873842503	0C2488	RIPIANO PIASTRA FE RIGATA 400	SHELF, RIBBED PLATE 400	c till s/n 903
	<b>0870896300</b>	<b>0C5974</b>	<b>RIPIANO PIASTRA FE RIGATA 400</b>	<b>SHELF, RIBBED PLATE 400</b>	c since s/n 904
	0873842703	0C2489	RIPIANO PIASTRA FE 1/3 RIGATA 800	SHELF, 1/3 RIBBED PLATE 400	d till s/n 903
	<b>0870897800</b>	<b>0C5989</b>	<b>RIPIANO PIASTRA FE 1/3 RIGATA 800</b>	<b>SHELF, 1/3 RIBBED PLATE 400</b>	d since s/n 904
	0873842803	0C2490	RIPIANO PIASTRA CR. LISCIA 400	SHELF, CHROME SM. PLATE 400	e till s/n 903
	<b>0870896600</b>	<b>0C5977</b>	<b>RIPIANO PIASTRA CR. LISCIA 400</b>	<b>SHELF, CHROME SM. PLATE 400</b>	e since s/n 904
	0873843003	0C2491	RIPIANO PIASTRA CR. LISCIA 800	SHELF, CHROME SM. PLATE 800	f till s/n 903
	<b>0870898400</b>	<b>0C5995</b>	<b>RIPIANO PIASTRA CR. LISCIA 800</b>	<b>SHELF, CHROME SM. PLATE 800</b>	f since s/n 904
	0873843203	0C2492	RIPIANO PIASTRA CR. 1/3RIG 800	SHELF, CHROME 1/3 RIB. PLATE 800	g till s/n 903
	<b>0870899000</b>	<b>0C6001</b>	<b>RIPIANO PIASTRA CR. 1/3RIG 800</b>	<b>SHELF, CHROME 1/3 RIB. PLATE 800</b>	g since s/n 904
15	0529892401	*	CAMERA DI COMBUSTIONE 400	CHAMBER, COMBUSTION 400	ace
	0529888900	*	CAMERA DI COMBUSTIONE 800	CHAMBER, COMBUSTION 800	bdfg
16	0529892301	*	PARETE ANTERIORE CAMINO 400	FRONT PANEL CHIMNEY 400	ace
	0529888500	*	PARETE ANTERIORE CAMINO 800	FRONT PANEL CHIMNEY 800	bdfg
17	0529888600	*	PARETE POST. CAM.COMB / CAMINO	REAR PANEL CHAMB.COMB / CHIM.	bdfg
18	0530805800	*	PARETE ANT. CAMERA DI COMB. 400	FRONT PANEL C. CHAMBER 400	ace
	0530805900	*	PARETE ANT. CAM. COMB. DX 800	RIGHT FRONT PANEL COMB.C. 400	bdfg
19	0530806000	*	PARETE ANT. CAM. COMB. SX 800	LEFT FRONT PANEL COMB.C. 400	bdfg
20	0206250401	*	PIASTRINA FISSA CAPILLARE	PLATE, CAPILLARY FIXING	
21	0275290025	057400	VETRINO SPIA	INSPECTION GLASS BURNE	
22	0282217401	057402	GUARNIZIONE PER VETRO SPIA	GASKET, INSPECTION GLASS	
23	0206260400	057382	CORNICE PER VETRINO SPIA	FRAME FOR INSPECTION GLASS	
24	0518801801	053342	MOLLA PER MARCHIO	SPRING FOR BRAND	
25	0548858500	0C0597	GHIERA PER VALVOLA	KNOB RING FOR GAS VALVE	
26	0548872700	0C5252	MANOPOLA TERMOSTATO	KNOB FOR THERMOSTAT	
27	0548856600	0C0190	MANOPOLA ACCENDITORE	KNOB FOR IGNITER	
28	0218912211	069567	MOLLETTA PER GHIERA	SPRING FOR KNOB RING	
29	0543821000	053816	GUARNIZIONE PER MANOPOLA	GASKET KNOB	

**FRYTOP GAS N900**  
**GAS FRYTOP N900**

PNC	Model	Ref.	Notes
220 180	WR/GT1	a	Gas Frytop Mild Steel Smooth Flat 400mm
220 181	WR/GT2	b	Gas Frytop Mild Steel Smooth Flat 800mm
220 182	WR/GT1R	c	Gas Frytop Mild Steel Ribbed Sloped 400mm
220 183	WR/GT2R	d	Gas Frytop Mild Steel 1/3 Ribbed Sloped 800mm
220 184	WR/GT1C	e	Gas Frytop Chromed Smooth Sloped 400mm
220 185	WR/GT2C	f	Gas Frytop Chromed Smooth Sloped 800mm
220 186	WR/GT2CR	g	Gas Frytop Chromed 1/3 Ribbed Sloped 800mm

Pos	Factory Code	6DGT Code	Descrizione	Description	Ref./ Notes
			<b>Pagina 1</b>	<b>Page 1</b>	
30	0510820004 <b>0538841900</b>	0C0978 <b>0C5624</b>	GRIGLIA CAMINO <b>GRIGLIA CAMINO</b>	GRATE FOR CHIMNEY <b>GRATE FOR CHIMNEY</b>	till s/n 903 since s/n 904
32	0516852801	006554	TAPPO X PIASTRA ORIZZONTALE	CAP FOR SMOOTH FLAT PLATE	ab
33	0529805502 0529805602	006555 006556	PARASPRUZZI 400 PARASPRUZZI 800	SPLASH GUARD 400 SPLASH GUARD 800	ace bdfg
34	0805848201	<b>055995</b>	RASCHIETTO	SCRAPER	
35	0506887400	056347	LAMA PER RASCHIETTO	BLADE FOR SCRAPER	
36	0830851300	<b>056940</b>	SPATOLA PER PIASTRA RIGATA	PADDLE FOR RIBBED PLATE	
37	0516860700	0C0137	PIASTRINA PER GIUNZIONE	JOINTING REAR PLATE	
38	0541810600	0C0187	TAPPO POSTERIORE RIPIANO	STOPPER	
			<b>Pagina 2</b>	<b>Page 2</b>	
39	0529818400	0C1305	CONVOGLIATORE ARIA	CONVEYOR, BURNER	
40	0806827101 0806827201	* 0C4388	RIBALTA 400 RIBALTA 800	INLET PIPE, GAS 400 INLET PIPE, GAS 800	ace bdfg
41	0210360300	<b>051717</b>	CALOTTA ESAGONALE 1/2"	CAP 1/2"	
42	0835853003	<b>0C5246</b>	VALVOLA GAS	GAS VALVE	
43	0214191001	<b>026783</b>	RACCORDO VALVOLA GAS	NIPPLE, GAS VALVE	
44	0528830700	*	SUPPORTO VALVOLA GAS	SUPPORT, GAS VALVE	
45	0528815000	<b>0C1545</b>	SUPPORTO PILOTA	SUPPORT, PILOT	
46	0830884100	<b>005503</b>	PILOTA	PILOT	
47	0517808700	<b>059161</b>	ANELLO BICONO DIAM.4	BICONICAL RING DIAM.4	
48	0214162000	<b>0C0121</b>	RACC.FISSAGGIO PILOTA	NIPPLE, PILOT	
49	0830863300	<b>059380</b>	ELETTRODO DI ACCENSIONE	ELECTRODE, IGNITION	
50	0214164101	<b>057960</b>	RACCORDO FISS. CANDELA	NIPPLE, ELECTRODE	
51	0830852201 0830852101	<b>025031</b> 056914	TERMOCOPPIA TERMOCOPPIA	THERMOCOUPLE THERMOCOUPLE	abcd efg
52	0646808102	<b>004269</b>	TERMOSTATO DI SICUREZZA	SAFETY THERMOSTAT	efg
53	0835853700	<b>006650</b>	BRUCIATORE	BURNER	
54	0215088100	<b>052062</b>	BOCCOLA REGOL.ARIA	BUSH, BURNER	
55	0511805801	<b>059375</b>	PORTAUGELLO	NOZZLE HOLDER	
56	0214105101	<b>020997</b>	CONTRODADO PORTAUGELLO	LOCK NUT, NOZZLE HOLDER	
57	0806827300 0806831400 0806831500	0C1094 0C4168 <b>0C4170</b>	CONDUTTURA RIB. / VALV. 400 CONDUTTURA RIB. / VALV.DX 800 CONDUTTURA RIB. / VALV.SX 800	INLET PIPE, GAS VALVE 400 RIGHT INLET PIPE, GAS VALVE 800 LEFT INLET PIPE, GAS VALVE 800	ace bdfg bdfg
58	0806827400 0806827500 0806831600	0C1095 0C4171 0C4172	ASS.CONDUETT.VALV.-BRUC.400 ASS.CONDUETT.VALV.-BRUC.DX 800 ASS.CONDUETT.VALV.-BRUC.SX 800	PIPE, GAS VALVE - BURNER 400 RIGHT PIPE, VALVE - BURNER 800 LEFT PIPE, VALVE - BURNER 800	ace bdfg bdfg
59	0517878800 0517878900	<b>0C0598</b> 0C0599	CONDUTTURA PILOTA 400 CONDUTTURA PILOTA 800	PIPE, PILOT 400 PIPE, PILOT 800	bdfg
60	0214164400	<b>052125</b>	RACCORDO M10X1 FORO DA 4	NIPPLE, M10X1 DIAM.4	
61	0215199700	<b>052127</b>	BICONO SPEC.DA 4	BICONIC DIAM.4	