

Replacement Parts



List EmberGlo® Steamer Model ES10T / ES10PB

*Tap Water Operation
Designed to Operate
Without Distilled Water*



Manual Push Button Operation
Steamer with Direct Water Hookup
Full Size Food Pan

<i>Models</i>	<i>Description</i>	<i>Volts</i>	<i>BOMs</i>
ES10PB	Manual Push Button with Direct Connect Water Hook-up	120V	5401000
ES10T	Automatic, Programmable Timer Operation, with External Cycle Timer and Direct Connect Water Hook-up	240V	5402000

Installation and Service Manual - 8470-77

Model ES10 first construction May, 1983

Items listed are replacement parts for the current Model ES10 Tap Water Steamer and its components.

- EmberGlo Steamers do not require a separate hood for vapor produced during operation according to the Uniform Mechanical Codes per the International Conference of Building Officials Code.



EmberGlo®

EmberGlo
A Div of Midco® International Inc.
4140 West Victoria Street
Chicago, Illinois 60646
toll free 866.705.0515
tel 773.604.8700
fax 773.604.4070
web www.emberglo.com
e-mail sales@emberglo.com

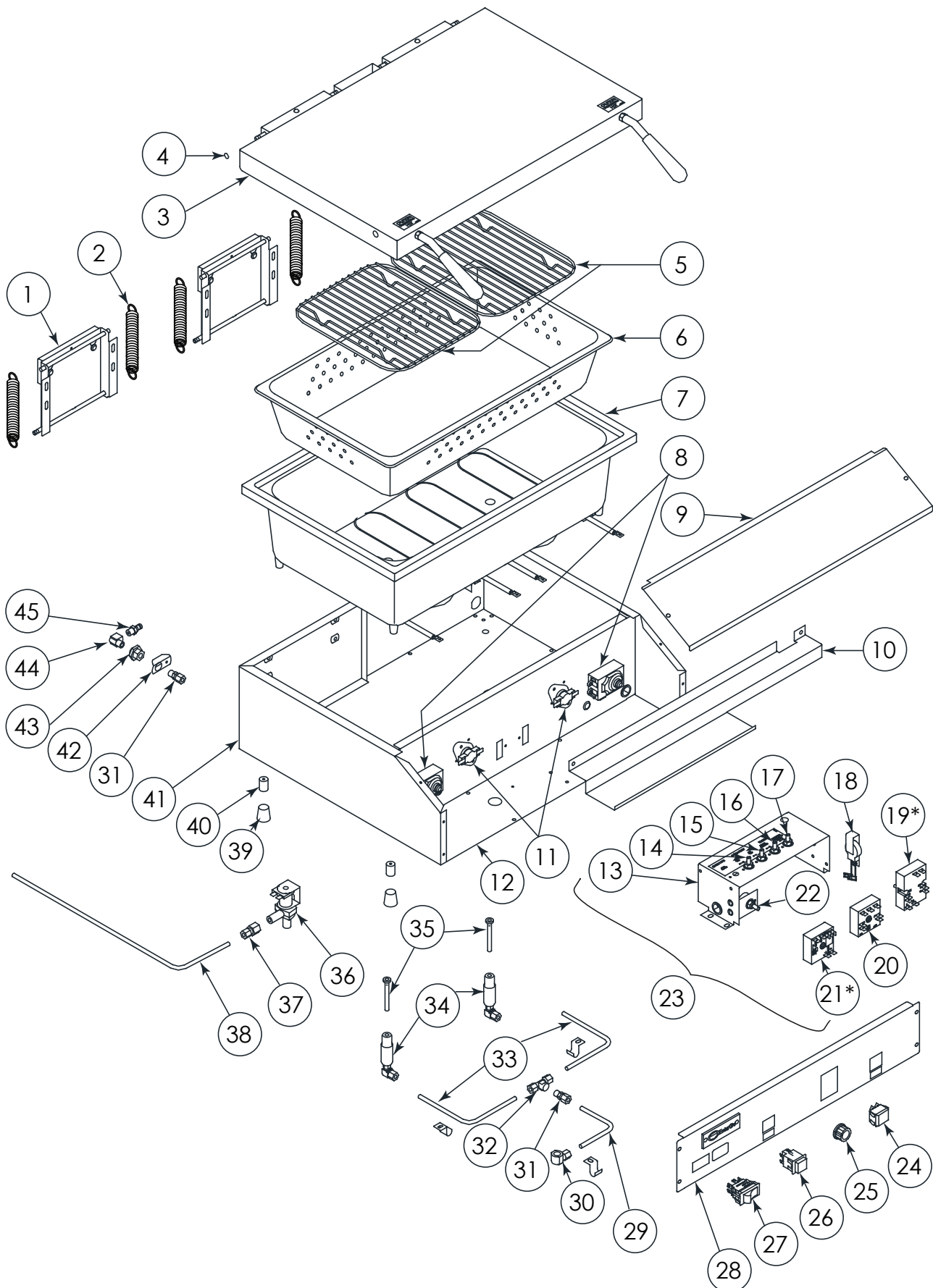
AVOID ERROR IN PARTS SELECTION. When ordering use complete EmberGlo Part Number and Description. Furnish Model Number, Bill of Material Number and Serial Number (if available) from the specification plate found on the product.

IMPORTANT: Availability of parts as well as specifications are subject to change without notice.

Quality Designed for Proven Performance

416
8472 62
Printed in USA

ES10 Exploded View



* NOTE: For item numbers 19 & 21, order part number 2535-15 for units prior to 2005.

ES10 Parts List

Item #	Part #	Description	Qty	Item #	Part #	Description	Qty
1	1421-45	Back Hinge Kit (Less Spring Bar & Spring)	2	38	2513-00	Water Inlet Tube	1
2	1420-40	Hinge Spring	4	39	8450-25	Rubber Feet	4
3	2522-00	Lid Assembly	1	40	5661-80	Aluminum Leg	4
4	8432-08	5/16 X 3/16 O - Ring	4	41	2510-00	Cabinet Weldment	1
5	5608-50	Food Pan Grid	2	42	1409-90	Bulkhead Retainer	1
6	2527-00	Food Pan	1	43	1408-40	Bulkhead Fitting	1
7	2504-00	Generator 120V-3200 Watts	1	44	8483-15	1/8" Brass Street El	1
8	1412-41	Thermal Fuse / Thermostat Kit	2	45	8451-47	Quick Connect Insert	1
9	2516-00	Control Access Cover	1	Not Shown			
10	2539-00	Controls Guard	1	1404-00	Side Insulation		2
11	8425-41	Thermal Cut-Off	2	1404-20	Rear Insulation		2
12	2511-00	Bottom Panel	1	1404-30	Bottom Insulation		2
13	2526-00	Timer Panel	1	1408-70	Hose Assembly (Complete)		1
14	2528-30	100k Ohm Potentiometer - Blu/W Leads	1	1412-60	Nozzle Spring		2
15	2528-20	1-Meg Ohm Potentiometer - Orn Leads	1	2528-80	680K In-Line Resistor		1
16	2528-10	1-Meg Ohm Potentiometer - Blu Leads	1	2532-00	Power Cord Assembly		1
17	2528-00	1-Meg Ohm Potentiometer - Brn Leads	1	2540-50	Switch Panel Push Button Kit		1
18	1425-00	Buzzer Assembly 120V-3200 Watts	1	2541-50	Switch Panel Timer Kit		1
19	8406-63 *	Buzzer Timer	1 *	5601-40	Generator Insulation		1
20	8406-62	Shot Timer	1	8408-96	Hubbel Receptacle		2
21	8406-64 *	20 Minute Timer	1 *	Accessories - Not Shown			
22	2528-40	1-Meg Ohm Potentiometer -Brn/with Leads	1	5682-60	Tortilla Grid Style		
23	2530-00	Timer Assembly	1	5608-70	Three in 1 Basket Kit w/ Handle		
24	8423-34	Lighted On-Off Dpst Switch	1	5608-72	1/2 Size Basket w/ Handle		
25	8445-27	Knob For 2528-40	1	5608-73	Two of 1/4 Size Basket w/ Handle		
26	8423-36	Push Button Switch	1	2070610	Egg Poacher 4 Cup		
27	8423-35	Mode Rocker Switch	1	2070615	Egg Poacher 6 Cup		
28	2512-21	Switch Panel	1	8450-62	Steam Generator Cleaning Brush		
29	2514-00	Solenoid Water Tube	1	* NOTE: for item numbers 19 & 21, order part number 2535-15 for units prior to 2005			
30	8483-16	1/4" FPT x 1/4" T Brass Comp. El	1				
31	8483-14	1/8" M x 1/4" T Straight Brass Comp. Fit	2				
32	8483-20	1/4" T x 1/4" T X 1/8" F Comp. Tee	1				
33	2515-00	Left and Right Water Inlet Tube	2				
34	1402-70	Water Inlet Assembly (Complete)	2				
35	1411-20	Nozzle Assembly	2				
36	8402-26	1/4" NPT Solenoid Valve - 120V	1				
37	8483-49	1/4" x 1/4" T Str. Connect	1				

ADJUSTABLE HINGE FOR 2-POSITION LID OPENING (60° OR 90° OPEN)

First construction January 29, 1990 (date code 0590). Steamers built before this date featured a 90° opening lid. Replacement parts for the early construction are no longer available. When replacing order Part Number 1421-45 ADJUSTABLE HINGE RETROFIT KIT.

Item #	Part #	Description	Qty
1	1421-40	Adjustable Upper Hinge	1
2	1421-51	Lid Stop Rivetment	1
3	1421-41	Upper Hinge Bar	1
4	1421-01	Adjustable Lower Hinge	1
5	8432-08	5/16" x 3/16" O-Ring	2
Not Shown - (Sold Separately)			
	1420-00	Spring Bar	2
	1420-40	ES Hinge Spring	2

