



WELLS BLOOMFIELD, LLC
2 ERIK CIRCLE, P. O. Box 280 Verdi, NV 89439
telephone: 888-492-2782
fax: 888-492-2783
www.wellsbloomfield.com

PARTS LIST

PL302

COUNTERTOP FRYERS WITH SAFETY TEST SYSTEM™ F-55 STS, F-85 F-101, F-1725

CONTENTS

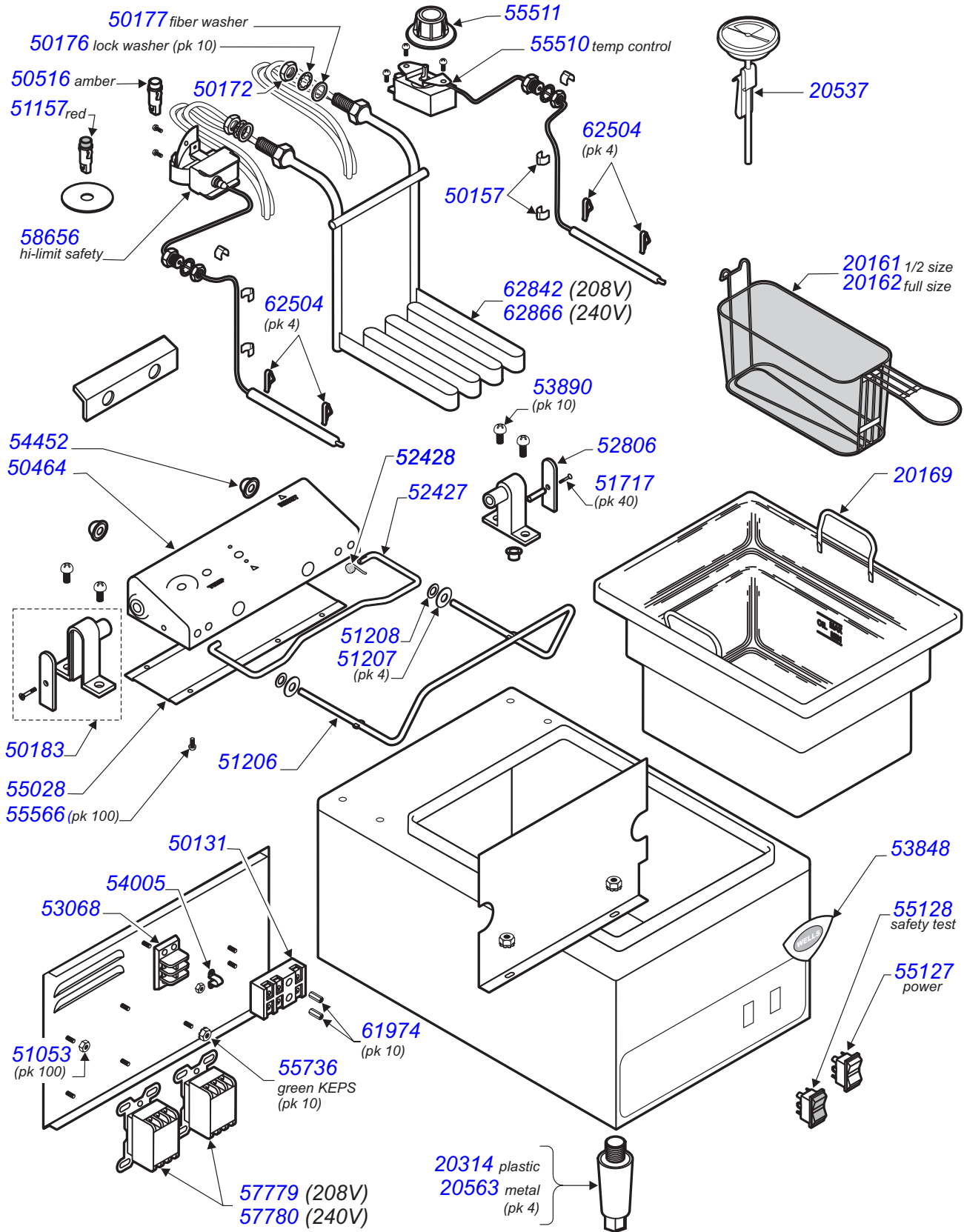
Description	page
Parts List	2
F-55 STS	3
F-85	4
F-101	6
F-1725	8

PRINTED IN UNITED STATES OF AMERICA

PART #	DESCRIPTION	PART #	DESCRIPTION	PART #	DESCRIPTION
OPTIONAL ACCESSORIES		MECHANICAL		HARDWARE, etc.	
20161	FRY BASKET, HALF-SIZE, F-55	50183	BRACKET, PIVOT, F-55 85	50145	BLAMP, THERMOBULB F-101
20162	FRY BASKET, FULL-SIZE	50464	CONTROL BOX, F-55 85	50157	CLAMP, CAPILLARY
20167	FRYPOT, F-101	51206	BASKET ROD, F-55 85	50172	NUT, FRYER ELEMENT
20169	FRYPOT, F-55 F-85	51423	BASKET ROD, F-101	50176	LOCK WASHER, ELEMENT (pk 10)
20287	FRY BASKET, F-101	52427	SUPPORT ROD, CTRL HEAD F-55 85	50177	FIBER WASHER, ELEMENT
20314	ADJUSTABLE LEG GRAY , SET OF 4	52428	SPRING, SUPPORT ROD	51038	CLIP, TINNEMAN BLK (pk 10)
20519	FRYPOT, F-1725	52429	SUPPORT ROD, CTRL HEAD F-101	51053	NUTS, 8-32 KEPS (pk 100)
20537	THERMOMETER STS	52704	BOX CONTACTOR, F-1725	51207	WASHER, SS BASKET ROD
20563	ADJUSTABLE LEG SS, SET OF 4	52806	COVER, PIVOT BRACKET	51208	WASHER, NEOPRENE BASKET ROD
20690	CRUMB CRADLE 12"x8½"	53245	COVER, PIVOT INTERMEDIATE, F-85	51717	SCREW 8-32 x 7/8 PH FL
20820	FRY BASKET, TWIN, F-1725	53526	HANDLE, ELEM LIFT F-101	51718	SCREW 8-32 x 3/16 RD (pk 10)
21727	PAN WARMER LANDING STATION	53528	CLAMP ELEM LIFT LEFT F-101	51728	TIE CABLE LG PANDUIT #42
ELECTRICAL		53529	PIVOT ELEMENT LIFT F-101	53890	SCREW 12-24 x3/4 (pk 10)
50131	TERMINAL BLOCK 3P	53891	CLAMP ELEM LIFT RIGHT F-101	53935	SCREW #6SMS x 1/4 (pk 100)
50147	SAFETY SWITCH F-1725	53848	WELLS TRADE MARK CASTING	54284	RIVET POP 3/32ID x1/8
50516	INDICATOR LIGHT, AMBER	53860	GASKET, CONTACTOR BOX F-1725	55566	SCREW #6SMS # 1/4 TH SS (pk100)
50578	TERMINAL BLOCK 3P, F-101	54452	RETAINER, BASKET ROD	55627	RING, WIRE SS .25" ID F-101
51157	INDICATOR LIGHT, RED	54662	COVER, CONTROL BOX F-1725	55637	RING, WIRE SS .25" ID F-1725
53068	TERMINAL BLOCK 2P	54665	SUPPORT ROD, CTRL HEAD F-1725	55736	NUT, 8-32 KEPS GREEN (pk 10)
54005	JUMPER, FLAME SENSOR, F-55	54666	BASKET ROD F-1725	58751	RING WIRE SS .25" x .093"
54131	CONNECTOR WIRE 12-14 GA	54748	COVER CONTACTOR BOX F-1725	61974	NUT 8-32 7/8" LG ALUM (pk 10)
55510	THERMOSTAT, F-55	55028	COVER, CONTROL BOX, F-55 85	62504	CLIP, THERMOBULB (pk 4)
57779	CONTACTOR, 3P 208V	55034	CONTROL BOX, F-101	63665	CLIP THERMOBULB (pk 10)
55127	SWITCH, POWER LIGHTED	55035	COVER, CONTROL BOX, F-101	63738	BOOT, ROCKER SWITCH
55128	SWITCH, SAFETY TEST RED	55511	KNOB, TEMP CONTROL		
57780	CONTACTOR, 3P 240V	58665	CLAMP, THERMOBULB, F-1725		
58656	THERMO, HI-LIMIT SAFETY	58667	CLAMP, CAPILLARY F-1725		
58661	ELEMENT, 208V, F-1725	58687	CONTROL BOX, F-1725		
58662	ELEMENT, 240V, F-1725	58717	ELEMENT CLAMP FRONT F-1725		
62842	ELEMENT, 208V, F-55 F-85	58718	BRACKET, ELEM CLAMP F-1725		
62866	ELEMENT, 240V, F-55 F-85	58719	ELEMENT CLAMP REAR, F-1725		
62869	ELEMENT, 208V, F-101	58729	HANDLE, LIFT ASSY F-1725		
62870	ELEMENT, 240V, F-101	62504	CLAMP, THERMOBULB, F-101		
62896	CONNECTOR WIRE 12-14 GA	64625	ELEMENT LIFT ASSY, F-101		
58995	HEAD ASSY F-1725 (208V)				
62905	HEAD ASSY F-55 (208V)				
62906	HEAD ASSY F-55 (240V)				
62922	HEAD ASSY F-85 (208V)				
62923	HEAD ASSY F-85 (240V)				
62932	HEAD ASSY F-101 (208V)				
62933	HEAD ASSY F-101 (240V)				

PL302 Service Parts List - Countertop Fryer w/ Safety Test System

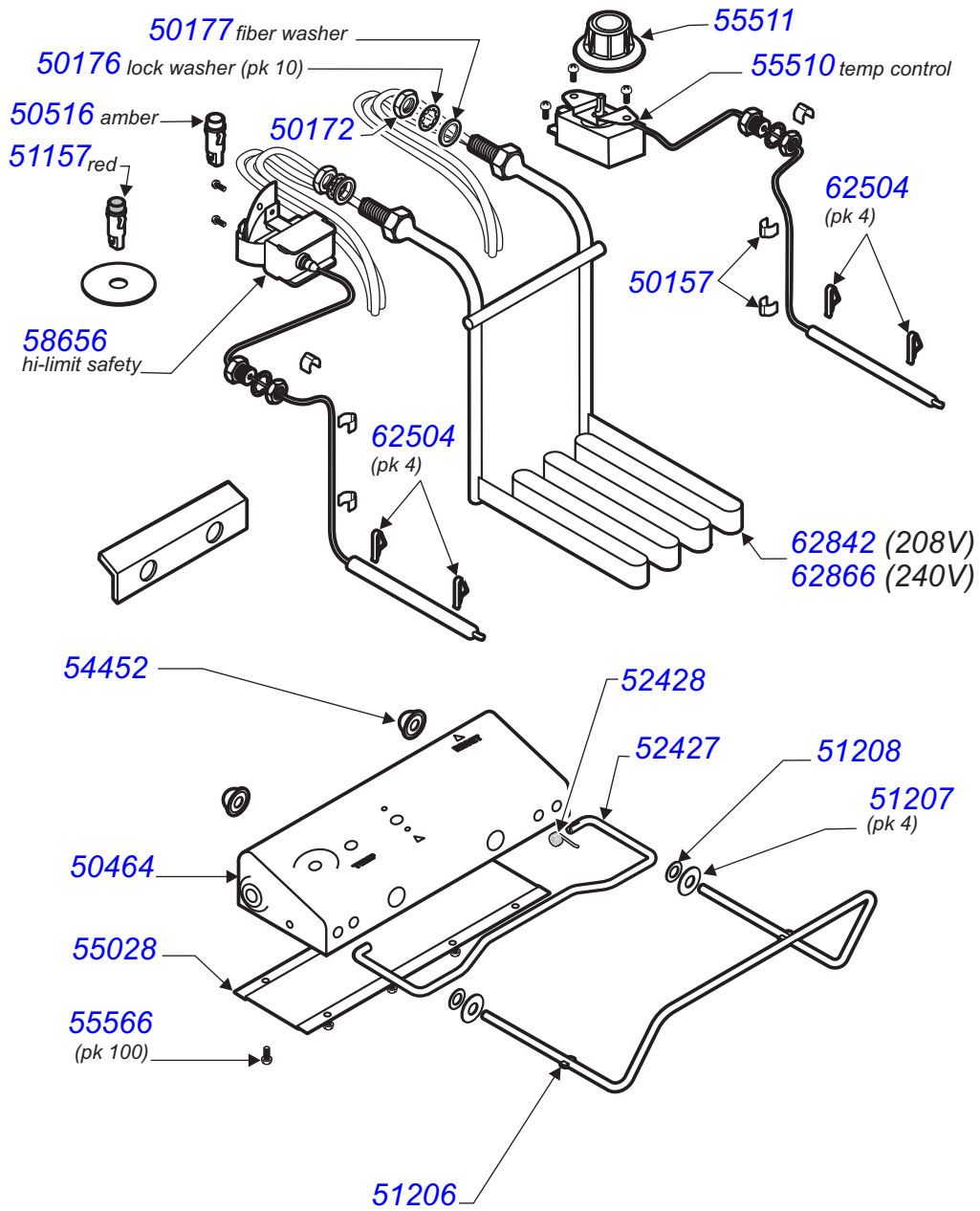
F-55 STS - COUNTERTOP SINGLE-HEAD FRYER W/ SAFETY TEST SYSTEM™



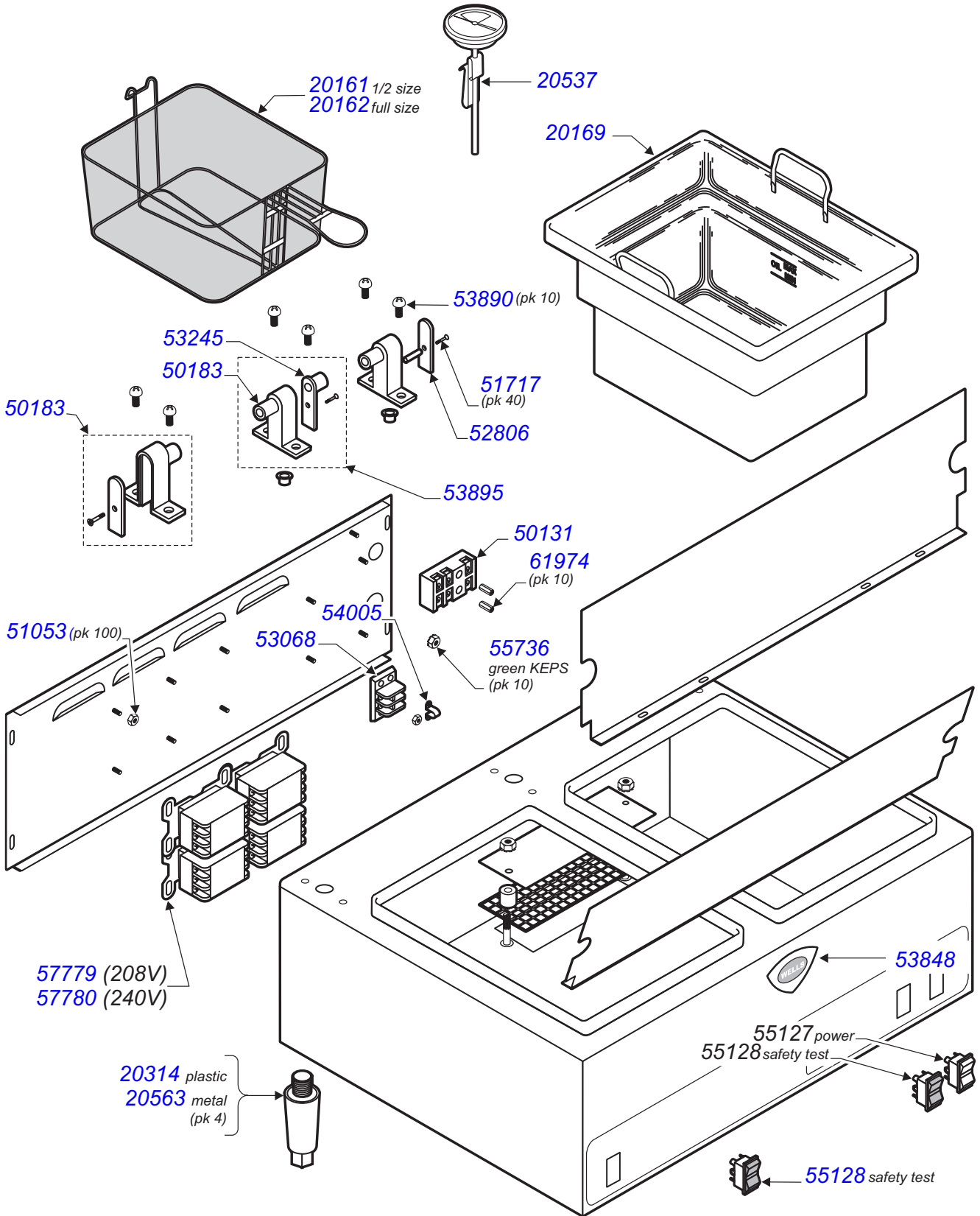
PL302 Service Parts List - Countertop Fryer w/ Safety Test System

**F-85 - COUNTERTOP DUAL-HEAD FRYER W/ SAFETY TEST SYSTEM™
HEAD ASSEMBLY COMPONENTS**

NOTE: Unit has two identical fryer heads. Only one is shown

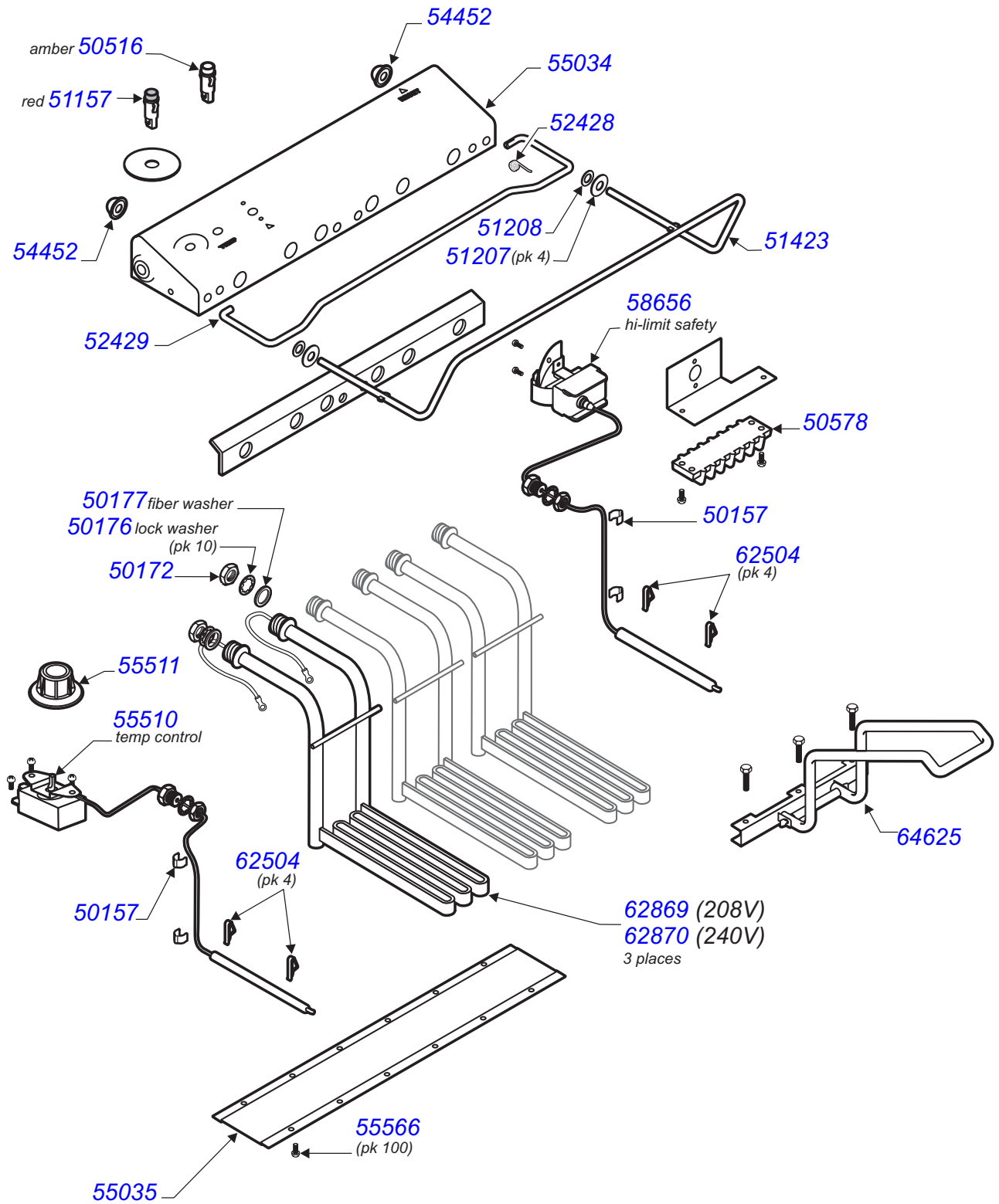


**F-85 - COUNTERTOP DUAL-HEAD FRYER W/ SAFETY TEST SYSTEM™
CABINET COMPONENTS**



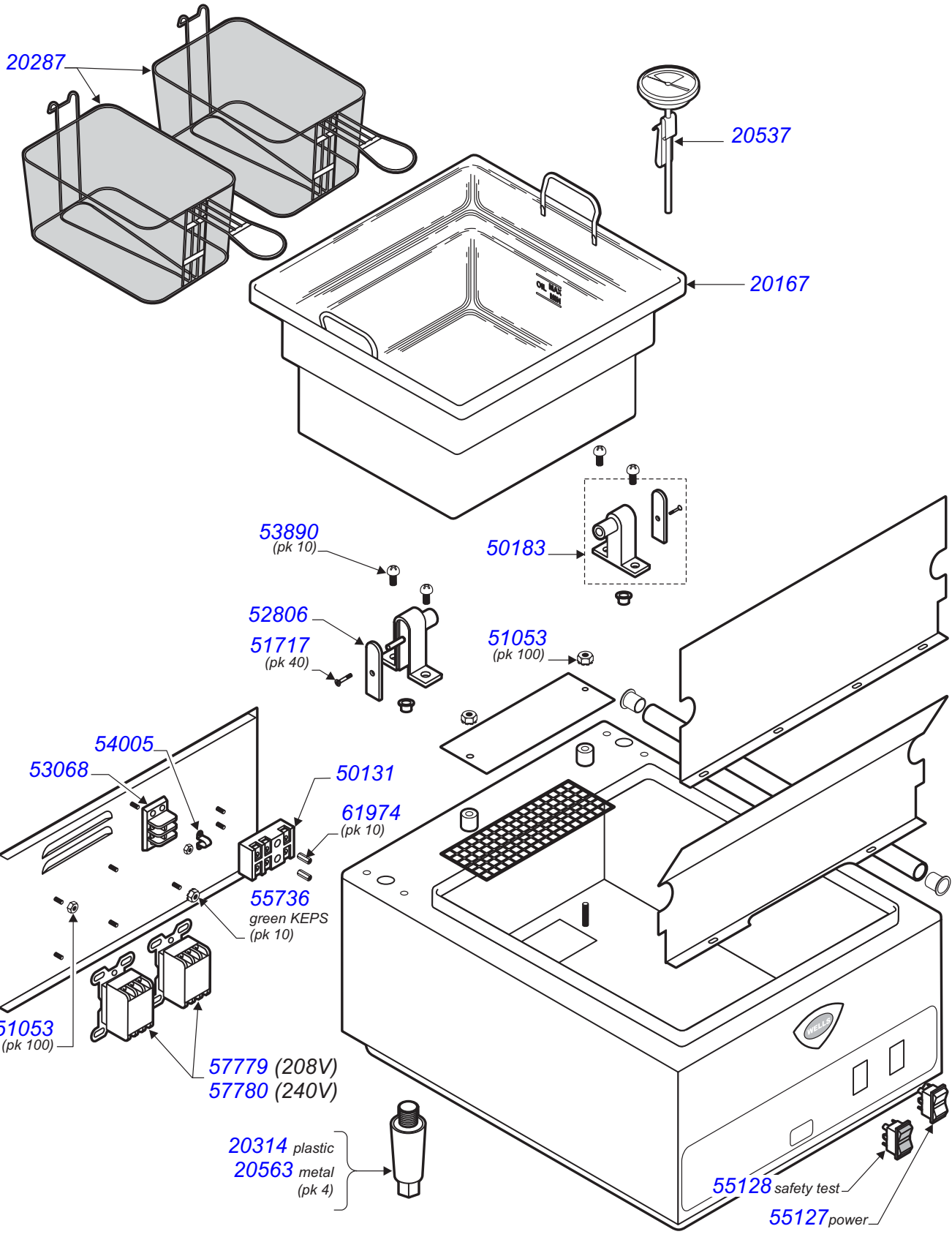
PL302 Service Parts List - Countertop Fryer w/ Safety Test System

**F-101 - COUNTERTOP MULTI-ELEMENT SINGLE-HEAD FRYER W/ SAFETY TEST SYSTEM™
HEAD ASSEMBLY COMPONENTS**



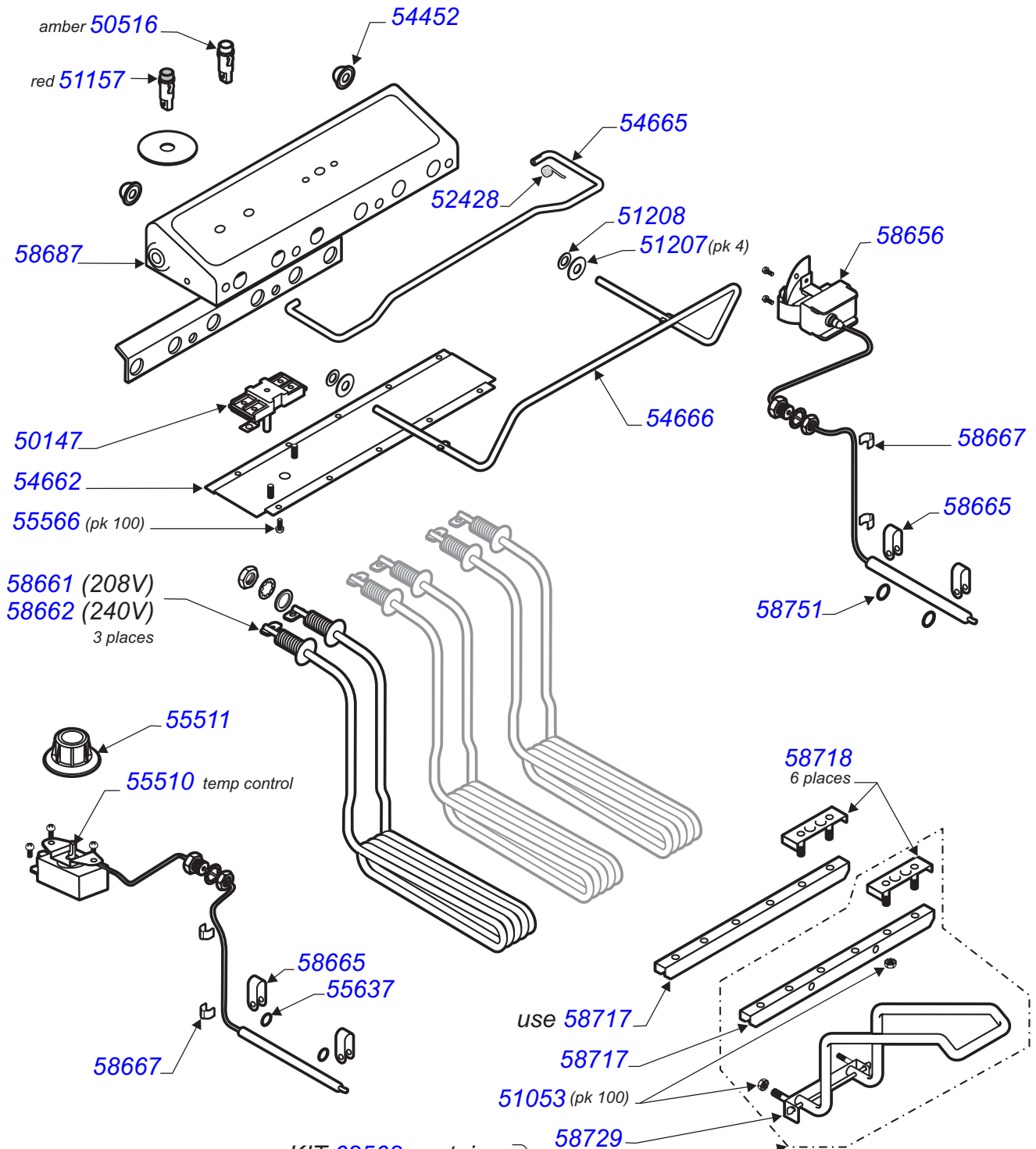
PL302 Service Parts List - Countertop Fryer w/ Safety Test System

**F-101 - COUNTERTOP MULTI-ELEMENT SINGLE-HEAD FRYER W/ SAFETY TEST SYSTEM™
CABINET COMPONENTS**



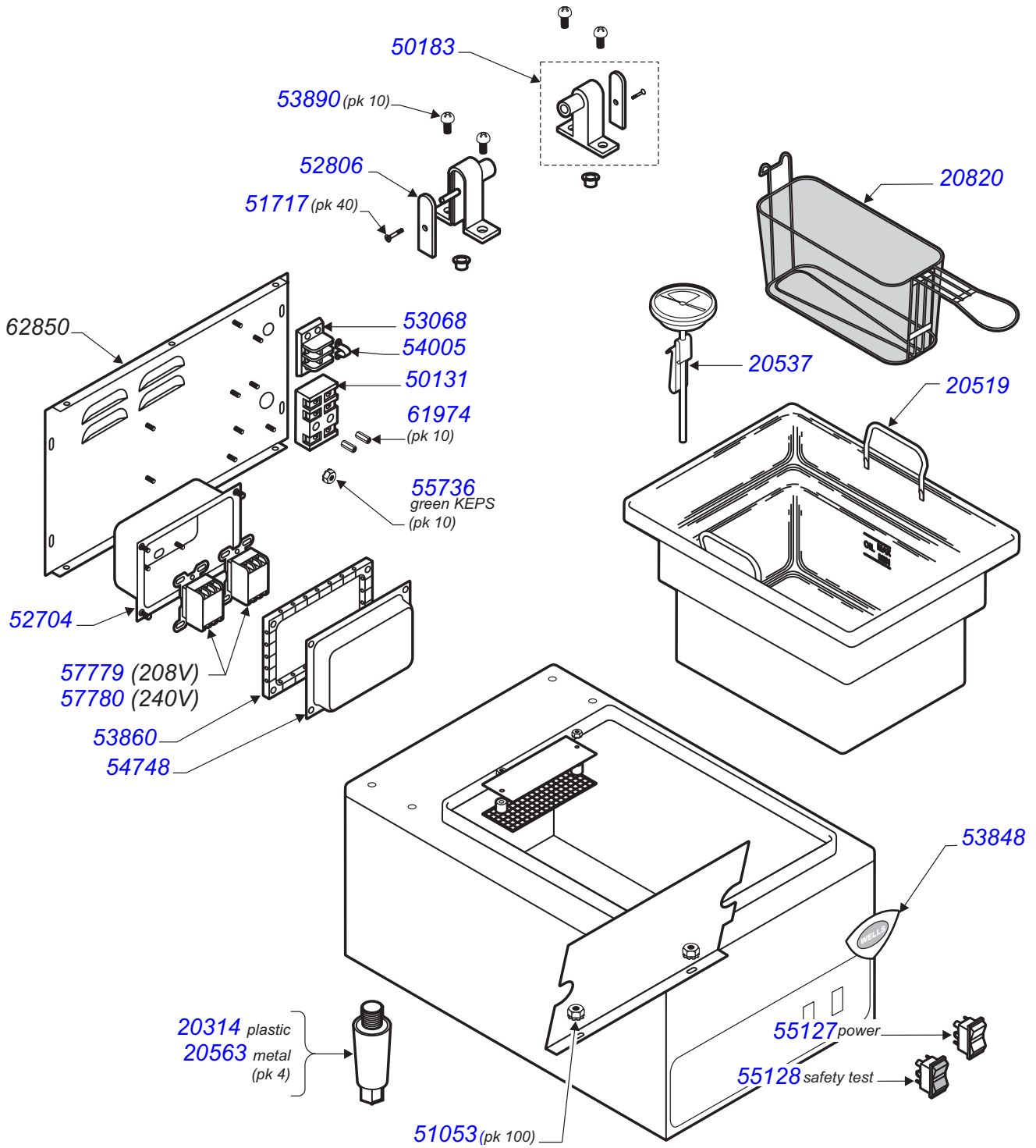
PL302 Service Parts List - Countertop Fryer w/ Safety Test System

**F-101 - COUNTERTOP MULTI-ELEMENT SINGLE-HEAD FRYER W/ SAFETY TEST SYSTEM™
HEAD ASSEMBLY COMPONENTS**



- KIT 62568 contains:**
- 8 ea 51053
 - 1 ea 58729
 - 1 ea 58717
 - 3 ea 58718

**F-101 - COUNTERTOP MULTI-ELEMENT SINGLE-HEAD FRYER W/ SAFETY TEST SYSTEM™
CABINET COMPONENTS**



PL302 Service Parts List - Countertop Fryer w/ Safety Test System



Wells Bloomfield proudly supports CFESA
Commercial Food Equipment Service Association

SERVICE TRAINING - QUALITY SERVICE



CUSTOMER SATISFACTION



WELLS BLOOMFIELD, LLC
2 ERIK CIRCLE, P. O. Box 280 Verdi, NV 89439
telephone: 888-492-2782
fax: 888-492-2783
www.wellsbloomfield.com