
DESPIECE TECNICO / SPARE PARTS BOM

Hornos eléctricos
Fours électriques
Electric ovens
Elektro heissluftdämpfer
Forni elettrici
Fornos eletricos

Modelos / Models:

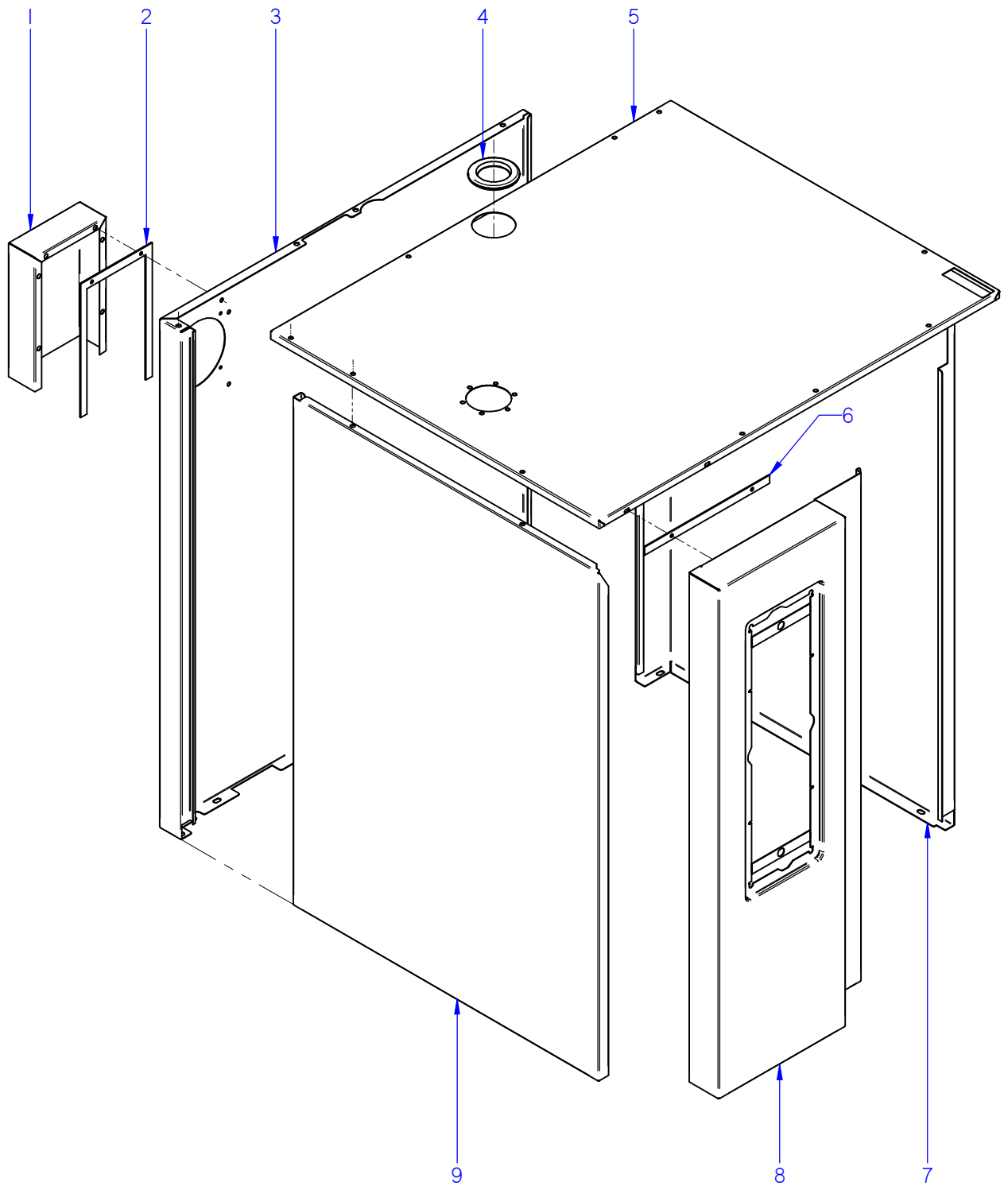
AE-061 W
AE-101 W
APE-061 W
APE-101 W

Febrero 2014 February

Revisado Julio 2015 July revised



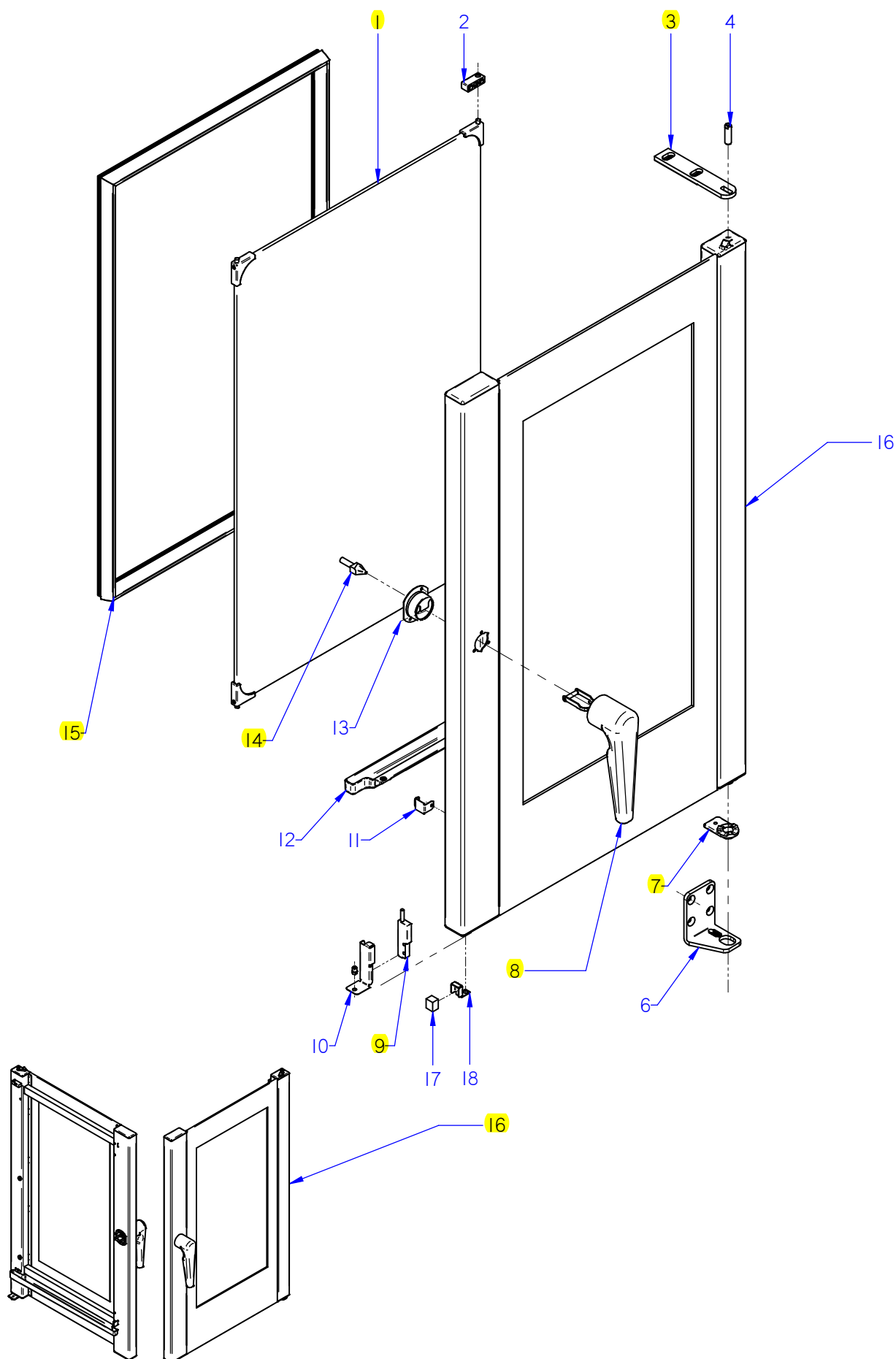
F A G O R I N D U S T R I A L



ITEM MARCADO EN COLOR = REPUESTO RECOMENDADO
 COLOURED ITEM = RECOMMENDED SPARE PART

Nº plano / N° plane	Firma	Fecha / Date	Denominación / Denomination:	MUEBLE / UNIT	Lamina / Sheet	Fagor Industrial S.Coop. FAGOR
C-3194	<i>(Signature)</i>	2014-02	HORNOS AE-APE-061W/101W		1	Oñate

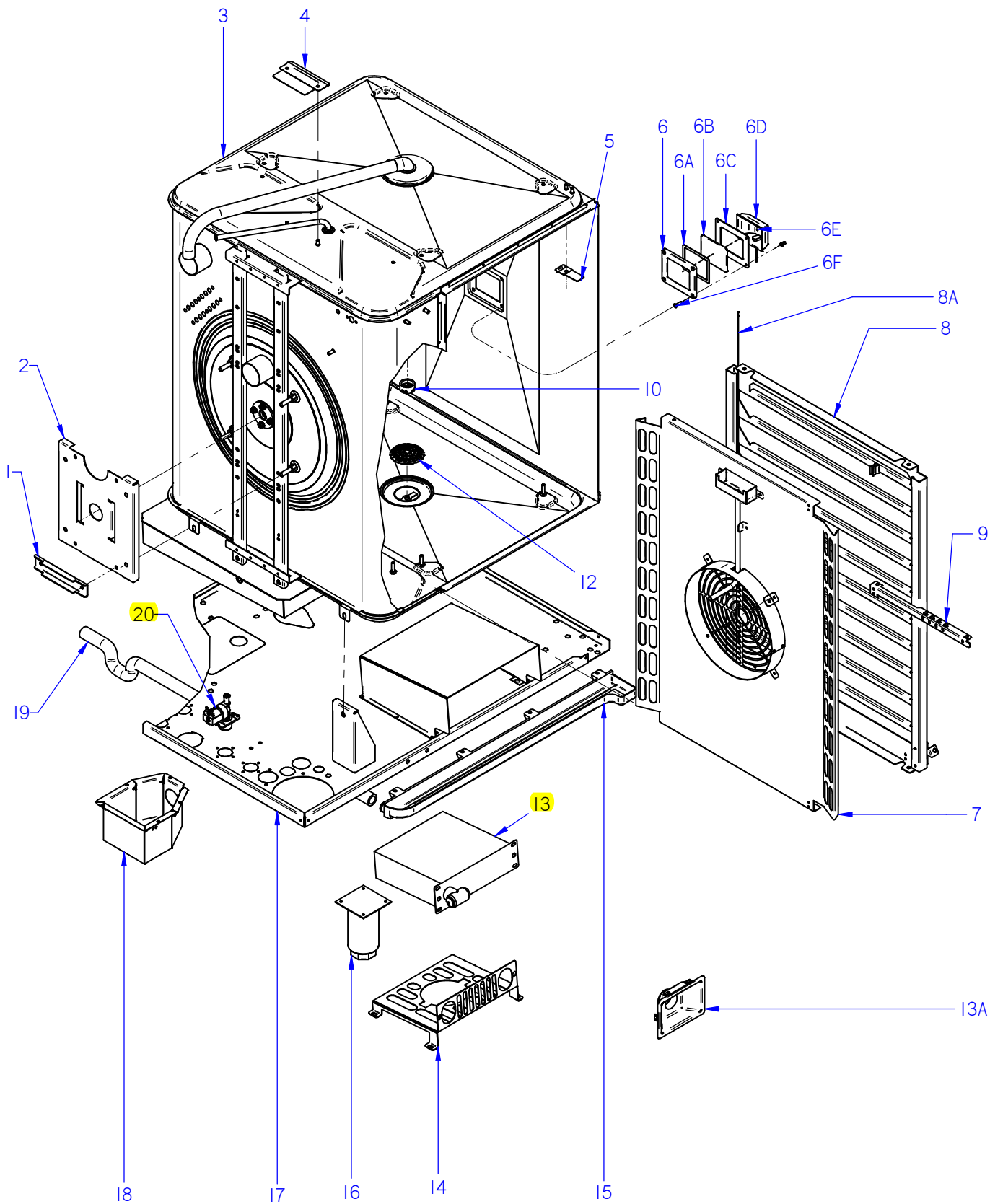
MOD.		HORNOS / OVEN		ZONA / ZONE		MUEBLE / UNIT				PLANO DIAGRAM		C-3194		
ITEM	CODIGO REFERENCE	DENOMINACION	DENOMINATION	AE-061 W	APE-061 W	AE-101 W	APE-101 W					ELIMINADO ELIMINATED	INTRODUCID. INTRODUCED	NOTAS
1	12022537	CHAPA SEPARACION IPX5	SEPARATION PLATE IPX5	1	1	1	1							
	12010163	REMACHE EXAGONAL M.5	HEXAGONAL RIVET M.5	11	11	11	11							
2	12024082	JUNTA IPX5	SEAL IPX5	1	1	1	1							
	12009944	ARANDELA A5	FLAT WASHER A.5	6	6	6	6							
	12009890	ARANDELA ABANICO A5 A.304	FAN SHAPED WASHER A.5	6	6	6	6							
	12010267	ARANDELA 16X6X1.2 A.304	FLAT WASHER 16X6X1.2 A.304	7	7	7	7							
	12009882	ARANDELA ABANICO A6 A.304	FAN SHAPED WASHER A.6	7	7	7	7							
	12010249	TORNILLO EXAGONAL M4X10	HEXAGONAL BOLT M4X10	7	7	7	7							
	12010186	TORNILLO EXAGONAL M6X15 A304	HEXAGONAL SCREW M6X15	6	6	6	6							
3	12039596	PANEL POSTER EXTER 061	REAR EXTERIOR PANEL061	1	1	-	-							
3	12039494	PANEL POSTER EXTER 101	REAR EXTERIOR PANEL101	-	-	1	1							
4	12024231	PASAMUROS CHIMENEA 10100336	FEED THROUGH FLUE PIPE 1010	1	1	1	1							
	12010242	TORNIL. APLASTADO M5X13 A 304	FLAT SCREW M.5x13	7	7	7	7							
5	12043723	PANEL SUPER. EXTERIOR APE 061	SUP. EXTERIOR PANEL APE 061	1	1	1	1							
6	12039495	JUNTA PORTAMANDOS 101-102	CONTROL PANEL SEAL 101-102	1	1	1	1							
7	12043484	PANEL DERECHO ADV ELEC 061	RIGHT PANEL ADV ELEC 061	1	1	-	-							
7	12043609	PANEL DERECHO ADV ELEC 101	RIGHT PANEL ADV ELEC 101	-	-	1	1							
8	12039625	PORTAMANDOS APE 061	CONTROL PANEL APE 061	1	1	-	-							
8	12043767	PORTAMANDOS APE-APG 101	CONTROL PANEL APE-APG 101	-	-	1	1							
9	12043530	PANEL EXTER. IZDO. ADV ELEC.061	REAR LEFT PANEL ADV ELE.061	1	1	-	-							
9	12043702	PANEL EXTER. IZDO. ADV ELEC.101	REAR LEFT PANEL ADV ELE.101	-	-	1	1							
	12010267	ARANDELA 16X6X1.2 A.304	FLAT WASHER 16X6X1.2 A.304	2	2	2	2							
	12009882	ARANDELA ABANICO A6 A.304	FAN SHAPED WASHER A.6	2	2	2	2							
	12010186	TORNILLO EXAGONAL M6X15 A304	HEXAGONAL SCREW M6X15	2	2	2	2							
	12010242	TORNIL. APLASTADO M5X13 A 304	FLAT SCREW M.5x13	2	2	2	2							



ITEM MARCADO EN COLOR = REPUESTO RECOMENDADO
 COLOURED ITEM = RECOMMENDED SPARE PART

Nº plano / N° plane	Firma / Signature	Fecha / Date	Denominación / Denomination:	PUERTA / DOOR	Lamina / Sheet	Fagor Industrial S.Coop. FAGOR
C-3195	Iban R.	03-2015	HORNOS AE-APE-061W/101W		2	Oñate

MOD.		HORNOS / OVEN		ZONA / ZONE		PUERTA / DOOR				PLANO DIAGRAM		C-3195		
ITEM	CODIGO REFERENCE	DENOMINACION	DENOMINATION	AE-061 W	APE-061 W	AE-101 W	APE-101 W					ELIMINADO ELIMINATED	INTRODUCID. INTRODUCED	NOTAS
1	12046041	KIT CRISTAL INTER. 061	061 INNER GLASS KIT	1	1	-	-							
1	12046042	KIT CRISTAL INTER. 101	101 INNER GLASS KIT	-	-	1	1							
2	12041724	BISAGRA CRISTAL INTERIOR	INNER GLASS HINGE	2	2	2	2							
	12010209	TORNILLO AVELLANADO M5X15	COUNTERSUNK SCREW M.5x15	2	2	2	2							
3	12039312	BISAGRA SUPERIOR	UPPER HINGE	1	1	1	1							
	12009882	ARANDELA ABANICO A6 A.304	FAN SHAPED WASHER A.6	3	3	3	3							
	12010106	TORNILLO ALLEN INOX. M6X35MM	ALLEN BOLT STAINLE.M6X35MM	3	3	3	3							
4	12023636	EJE SUPERIOR	UPPER SHAFT	1	1	1	1							
	12023631	ARANDELA AMARRE	DOOR ANCHORING WASHER	1	1	1	1							
	12023716	RESORTE 06329	SPRING 06329	1	1	1	1							
	12009882	ARANDELA ABANICO A6 A.304	FAN SHAPED WASHER A.6	1	1	1	1							
	12010186	TORNILLO EXAGONAL M6X15 A304	HEXAGONAL SCREW M6X15	1	1	1	1							
6	12043391	BISAGRA INFERIOR ADVANCE	BOTTOM HINGE ADVANCE	1	1	1	1							
7	12047967	BASE BISAGRA INFERIOR 6 DIEN	LOWER HINGE BASE	1	1	1	1							
	12009890	ARANDELA ABANICO A5 A.304	FAN SHAPED WASHER A.5	1	1	1	1							
	12009944	ARANDELA A5	FLAT WASHER A.5	1	1	1	1							
	12010238	TORNILLO EXAGONAL M5x10	HEXAGONAL BOLT M5x10	1	1	1	1							
	12010199	TORNILLO AVELLANADO M6x16	COUNTERSUNK SCREW M6x16	4	4	4	4							
8	12047580	REP. MANILLA 1/1 ADVANCE	HANDLE 1/1 ADVANCE	1	1	1	1							
	12010262	TORNILLO AVELLANADO M4X15	COUNTERSUNK SCREW M.4x15	3	3	3	3							
9	12024560	INTERRUPTOR MAGNETICO AC	MAGNETIC SWITCH AC	1	1	1	1							
10	12022166	SOPORTE MICRO PUERTA	DOOR MICRO SWITCH	1	1	1	1							
	12010242	TORNIL. APLASTADO M5X13 A 304	FLAT SCREW M.5x13	1	1	1	1							
11	12041725	MUELLE CIERRE CRISTAL INTERIO	INNER GLASS SPRING LOCK	1	1	1	1							
12	12039485	RECOGEAGUAS PUERTA 101	DOOR SPRING WATER COLLECT	1	1	1	1							
	12009944	ARANDELA A5	FLAT WASHER A.5	3	3	3	3							
	12009890	ARANDELA ABANICO A5 A.304	FAN SHAPED WASHER A.5	3	3	3	3							
	12010242	TORNIL. APLASTADO M5X13 A 304	FLAT SCREW M.5x13	3	3	3	3							
13	12091814	EMBELLECEDOR PUERTA ADV-UL	DOOR TRIM ADV-UL	1	1	1	1							
	12010262	TORNILLO AVELLANADO M4X15	COUNTERSUNK SCREW M.4x15	2	2	2	2							



ITEM MARCADO EN COLOR = REPUESTO RECOMENDADO
 COLOURED ITEM = RECOMMENDED SPARE PART

Nº plano / N° plane	Firma	Fecha / Date	Denominación / Denomination:	MUEBLE INTERIOR / INTERIOR OVEN	Lamina / Sheet	Fagor Industrial S.Coop. FAGOR
C-3196	Iban R.	03-2015	HORNOS AE-APE-061W/101W		3	Oñate

MOD.		HORNOS / OVEN		ZONA / ZONE		MUEBLE INTERIOR / INTERIOR OVEN				PLANO DIAGRAM		C-3196		
ITEM	CODIGO REFERENCE	DENOMINACION	DENOMINATION	AE-061 W	APE-061 W	AE-101 W	APE-101 W					ELIMINADO ELIMINATED	INTRODUCID. INTRODUCED	NOTAS
1	12039460	REFUERZO MOTOR	MOTOR REINFORCEMENT	1	1	1	1							
	12009944	ARANDELA A5	FLAT WASHER A.5	4	4	4	4							
	12010221	TORNILLO EXAGONAL M5X15	HEXAGONAL BOLT M5X15	4	4	4	4							
2	12039615	SOPORTE MOTOR	SOPORTE MOTOR	1	1	1	1							
3	12043423	CUERPO INT. COMPL. AE 061	INTERIOR FULL BODY AE 061	1	-	-	-							
3	12043411	CUERPO INT. COMPL. APE 061	INTERIOR FULL BODY APE 061	-	1	-	-							
3	12043507	CUERPO INT. COMPL. AE 101	INTERIOR FULL BODY AE 101	-	-	1	-							
3	12043742	CUERPO INT. COMPL. APE 101	INTERIOR FULL BODY APE 101	-	-	-	1							
4	12039529	SOPORTE LIMITADOR CAMARA	LIMITER BRACKET CAMERA	1	1	1	1							
	12009868	ARANDELA PLANA INOX 6MM	WASHER FLAT 6 MM INOX.	2	2	2	2							
	12009882	ARANDELA ABANICO A6 A.304	FAN SHAPED WASHER A.6	2	2	2	2							
	12010255	TORNILLO EXAGONAL M6 INOX.	HEXAGONAL SCREW M6 INOX.	2	2	2	2							
5	12041767	SOPORTE SONDA PINCHO CAMARA	CAMERA PROBE SUPP. PINCHO	2	2	2	2							
	12009944	ARANDELA A5	FLAT WASHER A.5	4	4	4	4							
	12009890	ARANDELA ABANICO A5 A.304	FAN SHAPED WASHER A.5	4	4	4	4							
	12010284	TORNILLO EXAGONAL M5 INOX.	HEXAGONAL SCREW M5 INOX.	4	4	4	4							
	12010090	REMACHE AVINOX Ø4X7,5MM	AVINOX RIVET Ø4X7,5MM	2	2	2	2							
6	12024464	MARCO LAMPARA	LAMP ANCHORING PLATEN	1	1	1	1							
6A	12023532	JUNTA INTERIOR LAMPARA	LAMP INNER JOINT	1	1	1	1							
6B	12023668	CRISTAL LAMPARA	LAMP GLASS	1	1	1	1							
6C	12023578	JUNTA EXTERIOR LAMPARA	LAMP OUTER JOINT	1	1	1	1							
6D	12024545	PORTALAMPARAS	LAMP HOLDER	1	1	1	1							
6E	12025123	LAMPARA 10W-12V	LIGHT 10W 12V	1	1	1	1							
6F	12010262	TORNILLO M4X15MM DIN965	M4X15MM DIN965 SCREW	4	4	4	4							

MOD.		HORNOS / OVEN	ZONA / ZONE	MUEBLE INTERIOR / INTERIOR OVEN				PLANO DIAGRAM		C-3196		
ITEM	CODIGO REFERENCE	DENOMINACION	DENOMINATION	AE-061 W	APE-061 W	AE-101 W	APE-101 W			ELIMINADO ELIMINATED	INTRODUCID. INTRODUCED	NOTAS
7	12126841	CUBREVENTILADOR 061 ADV ELE.	FAN COVER 061 ELECT.	1	1	-	-					
7	12126832	101 CUBREVENTILADOR E	FAN COVER 101 ELECT.	-	-	1	1					
8	12119263	KIT PORTABANDEJAS DCHA. 061	RIGHT HOLDER TRAYS ADV 061	1	1	-	-					
8	12119260	KIT PORTABANDEJAS IZDA 061	LEFT HOLDER TRAYS ADV 061	1	1	-	-					
8A	12039594	TOPE BANDEJAS 061	TRAY TOP 061	2	2	-	-					
8	12118378	KIT PORTABANDEJAS DCHA. 101	RIGHT HOLDER TRAYS ADV 101	-	-	1	1					
8	12118377	KIT PORTABANDEJAS IZDA 101	LEFT HOLDER TRAYS ADV 101	-	-	1	1					
8A	12039490	TOPE BANDEJAS 101-102	TRAY TOP101-102	-	-	2	2					
9	12126827	SOPORTE CORE HOLDER	CORE HOLDER SUPPORT	1	1	1	1					
10	12023935	PUNTA DIFUSORA LAVADO	WASHING DISPENSER POINT	-	1	-	1					
12	12095042	FILTRO DESAGÜE Ø53	DRAINAGE FILTER Ø53	1	1	1	1					
13	12040977	DUCHA	SHOWER	1	1	1	1					
13A	12041736	EMBELLECEDOR DUCHA ADV.	SHOWER TRIM ADVANCE	1	1	1	1					
14	12039620	CHAPA AMARRE DUCHA	TIE PLATE SHOWER	1	1	1	1					
	12009868	ARANDELA PLANA INOX 6MM	WASHER FLAT 6 MM INOX.	2	2	2	2					
	12009882	ARANDELA ABANICO A6 A.304	FAN SHAPED WASHER A.6	2	2	2	2					
	12010180	TORNILLO EXAGONAL M6X20 INOX.	HEXAGONAL SCREW M6X20 INOX.	2	2	2	2					
15	12039627	RECOGEAGUAS HORNO	SPRING WATER COLLE.	1	1	1	1					
	12010267	ARANDELA 16X6X1.2 A.304	FLAT WASHER 16X6X1.2 A.304	6	6	6	6					
	12009882	ARANDELA ABANICO A6 A.304	FAN SHAPED WASHER A.6	6	6	6	6					
	12010186	TORNILLO EXAGONAL M6X16 INOX.	HEXAGONAL SCREW M6X16 INOX.	6	6	6	6					
16	12009104	PATA REGULABLE	REGULABLE LEG	4	4	4	4					
	12009868	ARANDELA PLANA INOX 6MM	WASHER FLAT 6 MM INOX.	16	16	16	16					
	12009882	ARANDELA ABANICO A6 A.304	FAN SHAPED WASHER A.6	16	16	16	16					
	12010180	TORNILLO EXAGONAL M6X20 INOX.	HEXAGONAL SCREW M6X20 INOX.	16	16	16	16					
17	12043397	BASE EXTERIO. ADV ELEC. 061-101	EXTERI. BASE ADV ELEC.061-101	1	1	1	1					
	12010126	REMACHE EXAGONAL M.6	HEXAGONAL RIVET M.6	35	35	35	35					

Nº plano / N.º plane
C-3197

Firma
(Firma)

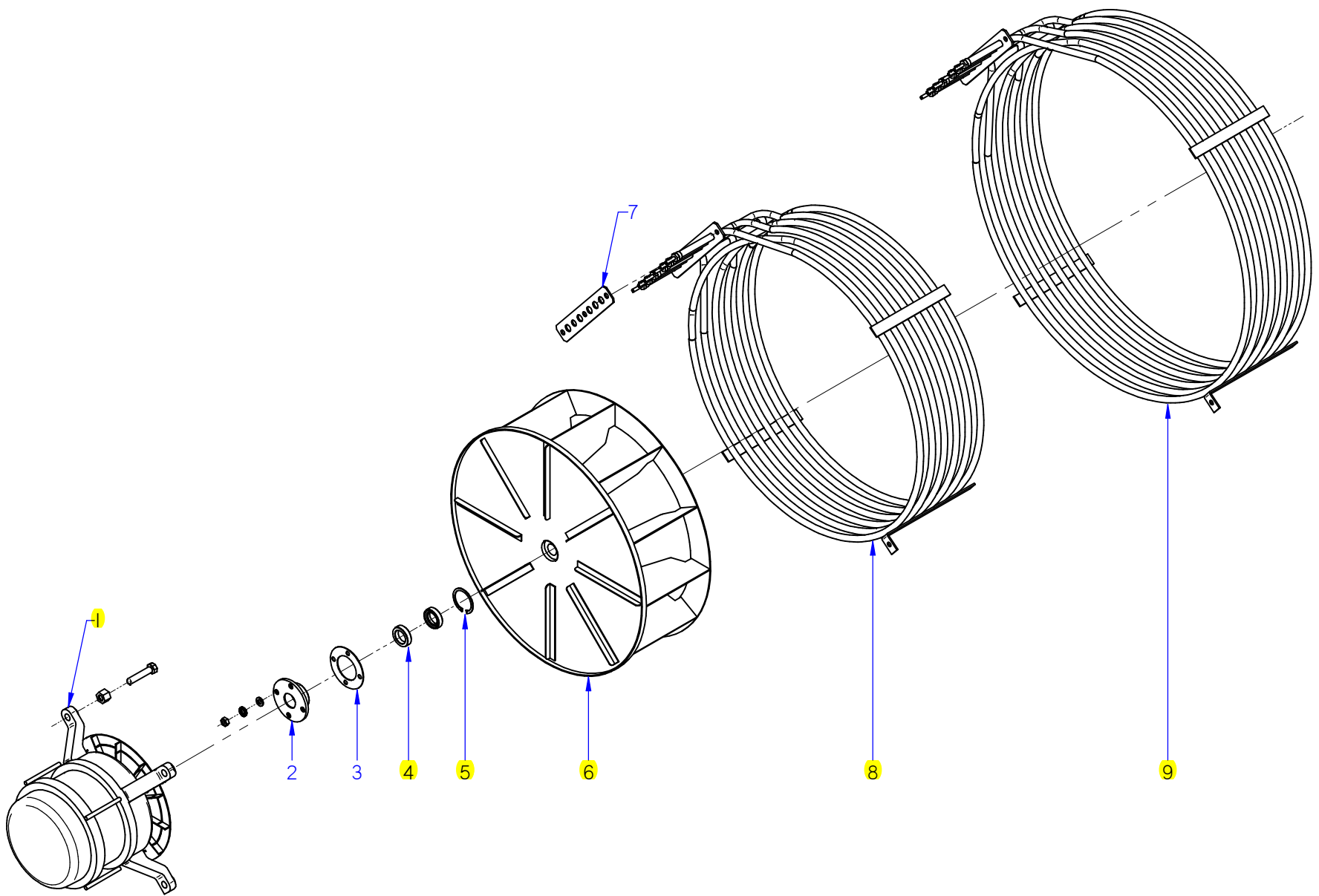
Fecha / Date
2014-02

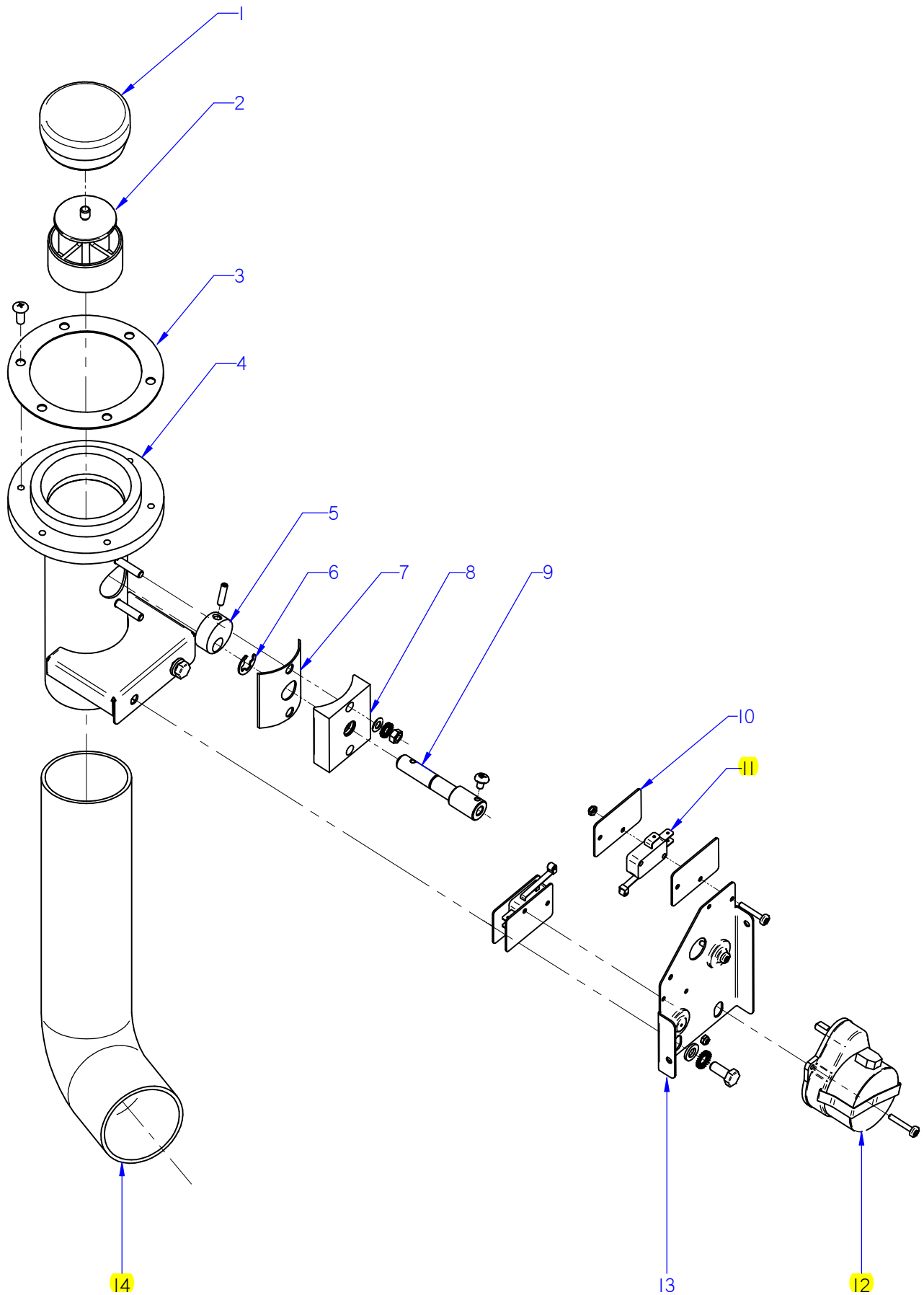
Denominación / Denomination:
HORNOS AE-APE-061 W / 101W

Lamina / Sheet
4

Fagor Industrial S. Coop. **FAGOR**
Onate

ITEM MARCADO EN COLOR = REPUESTO RECOMENDADO
COLOURED ITEM = RECOMMENDED SPARE PART

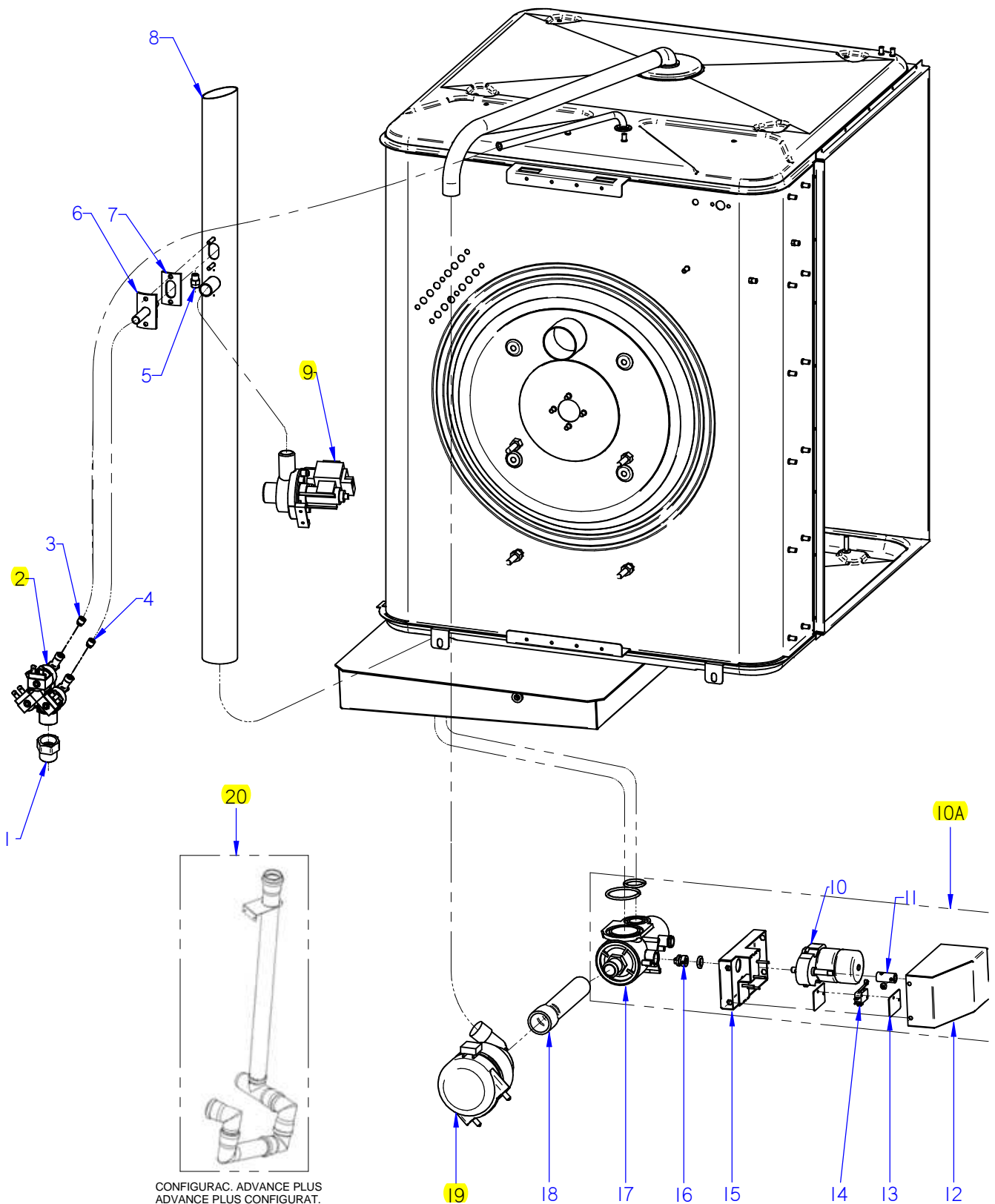




ITEM MARCADO EN COLOR = REPUESTO RECOMENDADO
 COLOURED ITEM = RECOMMENDED SPARE PART

Nº plano / N° plane	Firma	Fecha / Date	Denominación / Denomination: CHIMENEA / FLUEPIPE	Lamina / Sheet	Fagor Industrial S.Coop. FAGOR
C-3198	<i>[Signature]</i>	2014-02	HORNOS AE-APE-061W/101W	5	Oñate

MOD.		HORNOS / OVEN	ZONA / ZONE	CHIMENEA / FLUEPIPE								PLANO DIAGRAM	C-3198	
ITEM	CODIGO REFERENCE	DENOMINACION	DENOMINATION	AE-061 W	APE-061 W	AE-101 W	APE-101 W					ELIMINADO ELIMINATED	INTRODUCID. INTRODUCED	NOTAS
1	12024520	RETENCION DE VAPORES	CLOSE CHIMNEY	1	1	1	1							
2	12024500	GUIA RETENCION VAPORES	STEAM RETAINER GUIDE	1	1	1	1							
3	12023576	JUNTA BASE CHIMENEA	FLUEPIPE BASE SEAL	1	1	1	1							
S/Nº	12095516	JUNTA TORICA 5x1	O-RING 5x1	6	6	6	6							
	12010242	TORNIL. APLASTADO M5X13 A 304	FLAT SCREW M.5x13	6	6	6	6							
4	12022868	CONJUNTO CHIMENEA	COMPLETE CHIMNEY	1	1	1	1					01.05.14		
4	12104226	CONJUNTO CHIMENEA	COMPLETE CHIMNEY	1	1	1	1						01.05.14	
	12010126	REMACHE EXAGONAL M.6	HEXAGONAL RIVET M.6	2	2	2	2							
5	12024328	LEVA EJE CHIMENEA	FLUEPIPE SHAFT CAM	1	1	1	1							
	12010258	VARILLA ROSCADA M4X16	THREADED ROD M4X16	1	1	1	1							
6	12010014	ARANDELA DE SEGURIDAD Ø8	SAFETY WASHER Ø8	1	1	1	1							
7	12023497	JUNTA EJE CHIMENEA	FLUEPIPE SHAFT SEAL	1	1	1	1							
8	12024436	GUIA EJE CHIMENEA	FLUEPIPE SHAFT GUIDE	1	1	1	1					01.05.14		
8	12098396	GUIA EJE CHIMENEA	FLUEPIPE SHAFT GUIDE	1	1	1	1						01.05.14	
S/Nº	12010274	JUNTA TORICA 9.19x2.62	O-RING 9.19x2.62	1	1	1	1							
	12009944	ARANDELA A5	FLAT WASHER A.5	2	2	2	2							
	12010284	TUERCA EXAGONAL M5	HEXAGONAL NUT M.5	2	2	2	2							
9	12024435	EJE CHIMENEA ELECTRICA	ELECTRIC FLUEPIPE SHAFT	1	1	1	1					01.05.14		
9	12104228	EJE CHIMENEA ELECTRICA	ELECTRIC FLUEPIPE SHAFT	1	1	1	1						01.05.14	
	12009876	TORNILLO ALOMADO M4X6 ZINC.	CURVED SCREW M4X6 ZINC.	1	1	1	1							
10	12009985	PLACA SEPARADORA	SPACER PLATE	4	4	4	4							
	12010247	TORNILLO ALOMADO M3X20	CURVED SCREW M3X20	4	4	4	4							
	12010289	TUERCA AUTOBLOCANTE M3	SELF-LOCKING NUT M3	4	4	4	4							
11	12025193	INTERRUPTOR PUERTA	DOOR SWITCH	2	2	2	2							
12	12024638	MOTOR CHIMENEA	FLUEPIPE MOTOR	1	1	1	1							
13	12022146	ESCUA. AMARRE MOTOR CHIMEN.	FLUEPIPE MOTOR FASTENING BRAC	1	1	1	1							
	12009868	ARANDELA A6	WASHER A6	2	2	2	2							
	12009882	ARANDELA ABANICO A6 A.304	FAN SHAPED WASHER A.6	2	2	2	2							
	12010186	TORNILLO EXAGONAL M6X15 A304	HEXAGONAL SCREW M6X15	2	2	2	2							
14	12024122	TUBO FLEXIBLE Ø53X360	FLEXIBLE TUBE Ø53X360	1	1	1	1							
	12009962	ABRAZADERA 40*60	CLAMP 40*60	2	2	2	2							

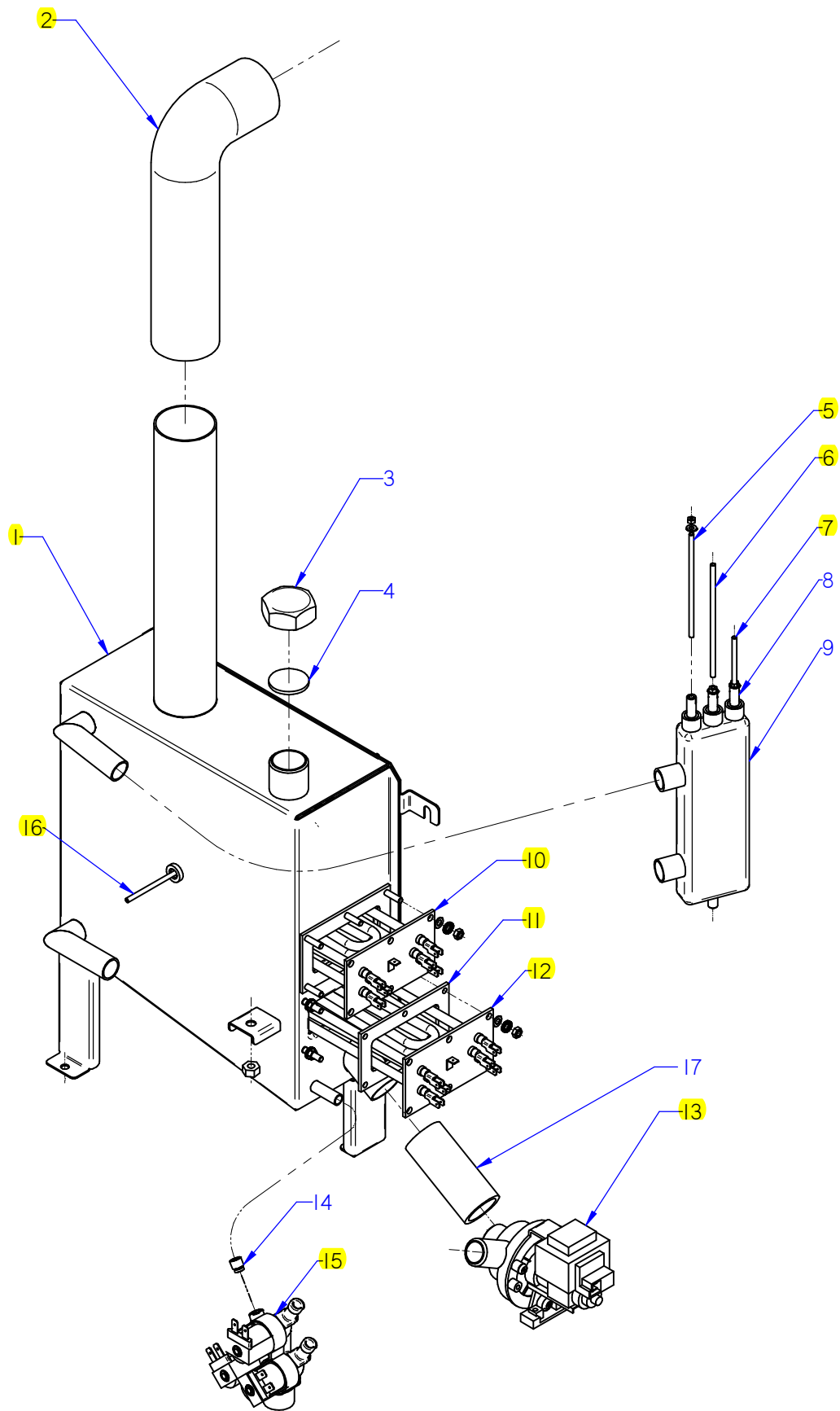


CONFIGURAC. ADVANCE PLUS
ADVANCE PLUS CONFIGURAT.

ITEM MARCADO EN COLOR = REPUESTO RECOMENDADO
COLOURED ITEM = RECOMMENDED SPARE PART

Nº plano / N° plane C-3199	Firma / Signature Iban R.	Fecha / Date 07-2015	Denominación / Denomination: CONDUCCIONES DE AGUA / WATER PIPES HORNOS AE-APE-061W/101W	Lamina / Sheet 6	Fagor Industrial S.Coop. FAGOR Oñate
-------------------------------	------------------------------	-------------------------	---	---------------------	--

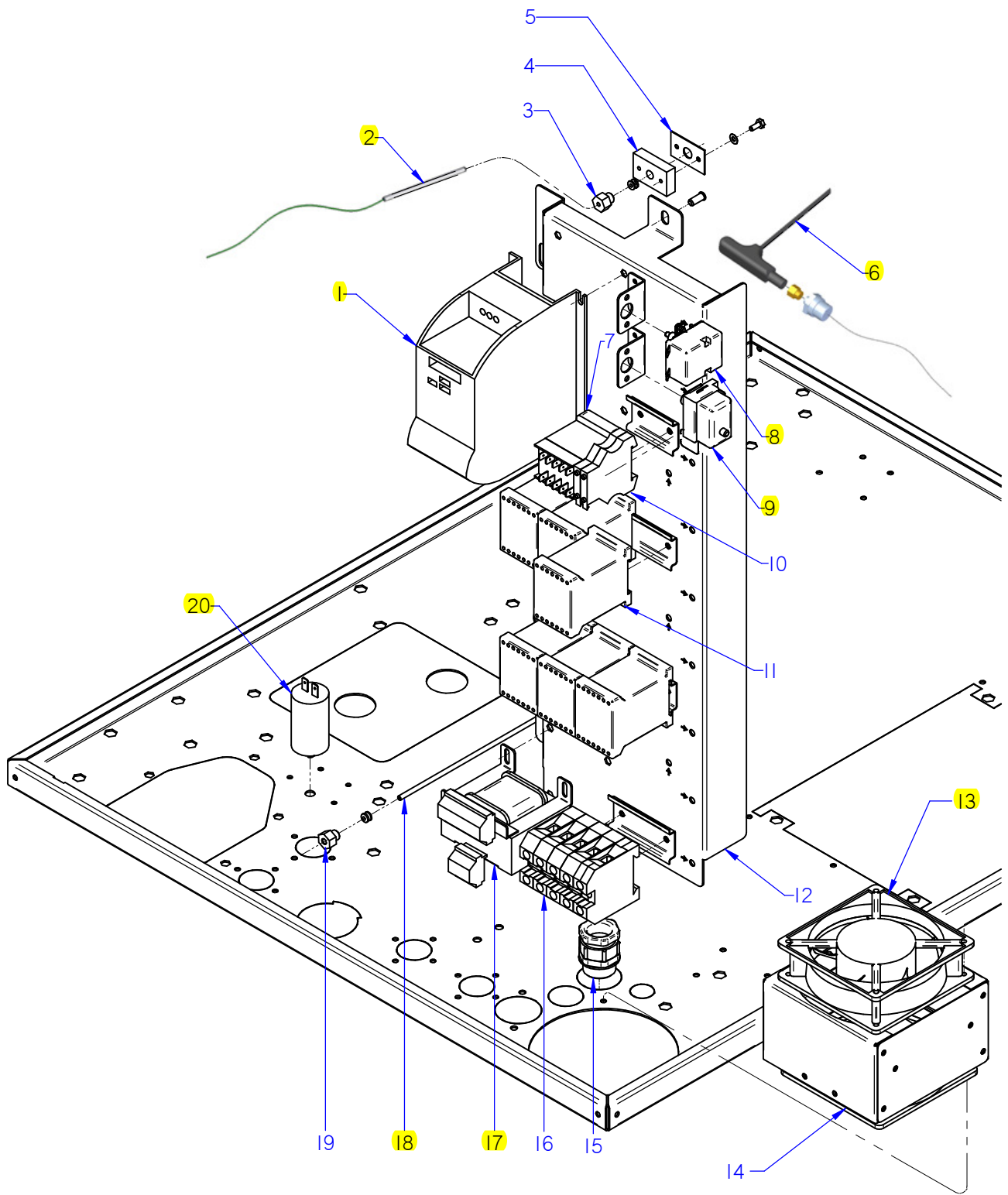
MOD.		HORNOS / OVEN	ZONA / ZONE	CONDUCCIONES DE AGUA / WATER PIPES				PLANO DIAGRAM	C-3199			
ITEM	CODIGO REFERENCE	DENOMINACION	DENOMINATION	AE-061 W	APE-061 W	AE-101 W	APE-101 W			ELIMINADO ELIMINATED	INTRODUCID. INTRODUCED	NOTAS
1	12098455	ADAPTADOR AGUA 3/4	WATER ADAPTER 3/4	2	2	2	2					
2	12023921	ELECTR. 230V AC 50/60Hz 3 VIAS A	SOLENOID 230V AC 50/60Hz 3 V	1	1	1	1			01.08.14		
2	12115418	ELECTR. 230V AC 50/60Hz 3 VIAS A	SOLENOID 230V AC 50/60Hz 3 V	1	1	1	1				01.08.14	
3	12024509	REGULADOR 0,25L. VERDE	REGULATOR 0.25 L. GREEN	1	1	1	1					
4	12096625	REGULADOR 1 L MARFIL	CONTROLLER 1L IVORY	1	1	1	1					
5	12049131	BOQUILLA 1/8M-B-1-3	INJECTOR 1/8M-B-1-3	1	1	1	1					
6	12039468	CONDUCC. VAHOS COMPLETO	COMPLETE VAPOUR DUCT	1	1	1	1					
7	12023605	JUNTA TUBO INYECTOR	INJECTOR PIPE SEAL	1	1	1	1					
8	12039631	CHIMENEA COMPLETA 061	COMPLET FLUEPIPE 061	1	1							
8	12039505	CHIMENEA COMPLETA VPE 101	COMPLET FLUEPIPE VPE 101			1	1					
S/Nº	12047901	EMPALME SILICONA Ø53	SILICONE JOINT Ø53	1	1	1	1					
	12007943	ABRAZADERA ELASTICA 62*66	ELAST. CLAMP 62*66	2	2	2	2					
9	12039546	MOTOBOMBA 230V AC 1N 50/60Hz	PUMP 230V AC 50/60Hz 30W 1N	1	1	1	1					
	12009944	ARANDELA A5	FLAT WASHER A.5	2	2	2	2					
	12009890	ARANDELA ABANICO A5 A.304	FAN SHAPED WASHER A.5	2	2	2	2					
	12010221	TORNILLO EXAGONAL M5X15	HEXAGONAL BOLT M5X15	2	2	2	2					
10A	12093684	KIT VALVULA DESAGUE ADVAN.	VALVE DRAIN ADVANCE KIT		1		1					
10	12024754	MOTORREDUCTOR 230V AC 1N	MOTOREDUCER 230V AC 1N		1		1			02.03.15		
10	12122403	MOTORREDUCTOR 230V AC 1N	MOTOREDUCER 230V AC 1N		1		1				02.03.15	
11	12023906	CASQUILLO MOTOR MICRO	MICRO MOTOR BUSHING		1		1					
	12009876	TORNILLO ALOMADO M4X6 H.ZIN.	CURVED SCREW M4X6 H.ZIN.		2		2					
	12010262	TORNILLO AVELLANADO M4X15	COUNTERSUNK SCREW M.4x15		2		2					
12	12003203	TAPA SISTEMA LAVADO	TOP WASH SYSTEM		1		1			02.03.15		
12	12122407	TAPA SISTEMA LAVADO	TOP WASH SYSTEM		1		1				02.03.15	
	12010242	TORNIL. APLASTADO M5X13 A 304	FLAT SCREW M.5x13		4		4					
13	12009985	PLACA SEPARADORA	SPACER PLATE		4		4					
	12010247	TORNILLO ALOMADO M3X20	CURVED SCREW M3X20		7		7					
	12010289	TUERCA AUTOBLOCANTE M3	SELF-LOCKING NUT M3		7		7					
14	12025193	INTERRUPTOR PUERTA	DOOR SWITCH		2		2					
15	12003183	SOPORTE MICROS LAVADO	MICROS WASH STAND		1		1			02.03.15		
15	12122404	SOPORTE MICROS LAVADO	MICROS WASH STAND		1		1				02.03.15	



ITEM MARCADO EN COLOR = REPUESTO RECOMENDADO
 COLOURED ITEM = RECOMMENDED SPARE PART

Nº plano / N° plane	Firma	Fecha / Date	Denominación / Denomination:	CIRCUITO DE VAPOR / STEAM CIRCUIT	Lamina / Sheet	Fagor Industrial S.Coop. FAGOR
C-3200	<i>(Signature)</i>	2015-02	HORNOS AE-APE-061W/101W		7	Oñate

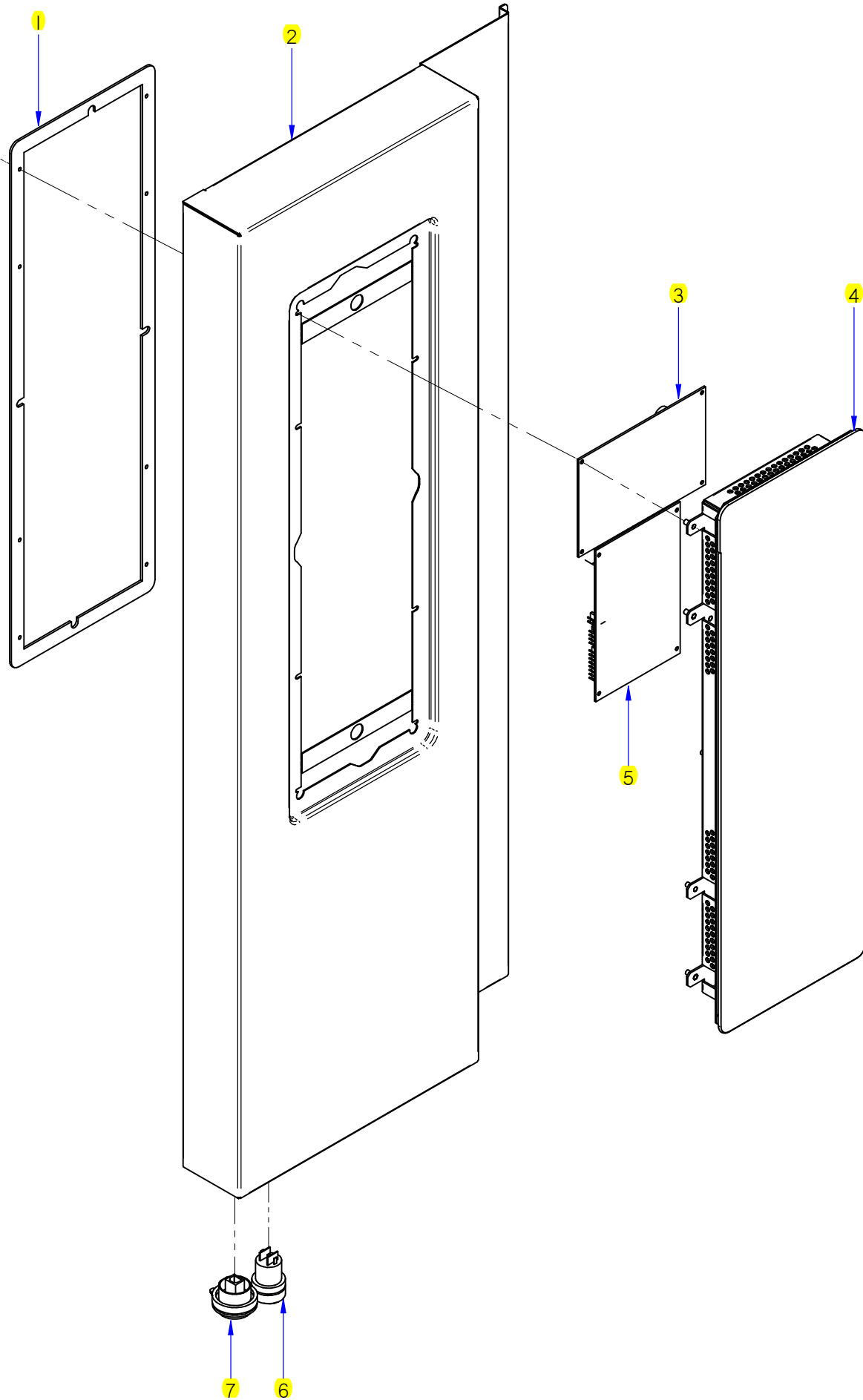
MOD.		HORNOS / OVEN		ZONA / ZONE		CIRCUITO DE VAPOR / STEAM CIRCUIT				PLANO DIAGRAM		C-3200		
ITEM	CODIGO REFERENCE	DENOMINACION	DENOMINATION	AE-061 W	APE-061 W	AE-101 W	APE-101 W					ELIMINADO ELIMINATED	INTRODUCID. INTRODUCED	NOTAS
1	12046048	KIT GENERADOR VAPOR 601	STEAM GENERATOR 601 KIT	1	1	-	-							
1	12046049	KIT GENERADOR VAPOR 101	STEAM GENERATOR 101 KIT	-	-	1	1							
S/Nº	11000157	TUBO SILICONA Tº Ø 26*18	HIGH SILICON PIPE Tº Ø 26*18	3	3	3	3							
	12009628	ABRAZADERA ELASTICA 26,7*28,1	ELAST. CLAMP 26,7*28,1	6	6	6	6							
2	12047930	EMPALME GENERADOR 061	GENERATOR JOINT 601	1	1	1	1							
	12009962	ABRAZADERA 40*60	CLAMP 40*60	2	2	2	2							
S/Nº	12047901	EMPALME SILICONA Ø53	SILICONE JOINT Ø53	2	2	2	2							
3	12009699	TUERCA TAPON 1"	PLUG NUT 1"	1	1	1	1							
4	12009884	ARANDELA Ø32	WASHER Ø32	1	1	1	1							
5	12023573	ELECTRODO ALTO	HIGH LEVEL ELECTRODE	1	1	1	1							
6	12023574	ELECTRODO BAJO	LOW LEVEL ELECTRODE	1	1	1	1							
7	12023575	ELECTRODO DE MASA	EARTH ELECTRODE	1	1	1	1							
	12009987	ARANDELA A4	FLAT WASHER A4	3	3	3	3							
	12009839	TUERCA EXAGONAL M4	HEXAGONAL NUT M.4º	3	3	3	3							
8	12024460	GUIA AISLANTE	INSULATION GUIDE	3	3	3	3							
9	12024419	BOTE DE NIVELES	LEVELS VESSEL	1	1	1	1					02.06.14		
9	12113061	BOTE DE NIVELES INOX	LEVELS VESSEL S.STEEL	1	1	1	1						02.06.14	
	12010044	TUERCA EXAGONAL M8 PLASTIC	HEXAGONAL NUT M8 PLASTIC	1	1	1	1							
10	12024752	RESISTENCIA 3x3000W 230V	RESISTOR 3x3000W 230V	1	1	1	1							
11	12023680	JUNTA CIERRE RESISTENCIAS	RESISTOR SEAL	1	1	2	2							
	12010284	TUERCA EXAGONAL M5	HEXAGONAL NUT M.5	6	6	12	12							
12	12024747	RESISTENCIA 3x3000W	RESISTOR 3x3000W	-	-	1	1							
13	12039546	MOTOBOMBA 230V AC 1N 50/60Hz	PUMP 230V AC 50/60Hz 30W 1N	1	1	1	1							
14	12096626	REGULADOR 8 L AZUL	BLUE REGULATOR 8L	1	1	1	1							
15	12023921	ELECTR. 230V AC 50/60Hz 3 VIAS A	SOLENOID 230V AC 50/60Hz 3 V	1	1	1	1					01.08.14		
1	12115418	ELECTR. 230V AC 50/60Hz 3 VIAS A	SOLENOID 230V AC 50/60Hz 3 V	1	1	1	1						01.08.14	
S/Nº	11000083	T. GOMA NEGRA Ø17*10	BLACK RUBBER PIPE Ø17*10	1	1	1	1							
	12010036	ABRAZADERA 12*20	CLAMP 12-20	2	2	2	2							
16	12098386	CON.TERMOPAR VAPOR 10/21UL	THERMOCOUPLE UNIT10/21 UL	1	1	1	1							
17	12041924	COND. CALDERIN-BOMBA DES.	BOILER-DRAIN.PUMP PIPE	1	1	1	1							
	12044862	ABRAZADERA ELAS.TOR.30,5-35	ELASTIC CLAMP.TOR.30,5-35	2	2	2	2							



ITEM MARCADO EN COLOR = REPUESTO RECOMENDADO
 COLOURED ITEM = RECOMMENDED SPARE PART

Nº plano / N° plane	Firma	Fecha / Date	Denominación / Denomination:	Lamina / Sheet	Fagor Industrial S.Coop. FAGOR
C-3201	<i>(Signature)</i>	2014-02	CUADRO ELECTRICO / ELECTRIC PANEL HORNOS AE-APE-061W/101W	8	Oñate

MOD.		HORNOS / OVEN		ZONA / ZONE		CUADRO ELECTRICO / ELECTRIC PANEL				PLANO DIAGRAM		C-3201		
ITEM	CODIGO REFERENCE	DENOMINACION	DENOMINATION	AE-061 W	APE-061 W	AE-101 W	APE-101 W					ELIMINADO ELIMINATED	INTRODUCID. INTRODUCED	NOTAS
1	12048794	REP VARIADOR REGULADO 061E	REGULATED VARIATOR 061E	1	1	-	-							
1	12048798	REP VARIADOR REGULADO ADV	REGULATED VARIATOR ADV	-	-	1	1							
	12009987	ARANDELA A4	FLAT WASHER A.4	6	6	6	6							
	12009928	ARANDELA ABANICO A4 A.304	FAN SHAPED WASHER A.4	6	6	6	6							
	12010278	TORNILLO ALOMADO M4X10	CURVED SCREW M.4x10	6	6	6	6							
S/Nº	12025235	CONECTOR PASO 3,96MM 8 VIAS	CONNECTOR ROUTES 3,96MM 8	1	1	1	1							
2	12098378	CONJ. TERMOPAR CAMARA K UL	THERMOCOUPLE UNIT K UL	1	1	1	1							
3	12023581	RACORD CIERRE SONDA	PROBE CLOSING ADAPTOR	2	2	2	2							
S/Nº	12024247	BICONO CIERRE SONDA	PROBE CLOSING BICONE	1	1	1	1							
4	12023737	BASE CIERRE SONDA	FIXING CORE PROBE	1	1	1	1							
5	12023504	JUNTA PASAMUROS SIMPLE	SIMPLE	1	1	1	1							
	12009987	ARANDELA A4	FLAT WASHER A.4	4	4	4	4							
	12010249	TORNILLO EXAGONAL M4X10	HEXAGONAL BOLT M4X10	4	4	4	4							
6	12039548	SONDA PINCHO ADVANCE	ADVANCE PROBE PINCHO	1	1	1	1							
	12010110	ARANDELA Ø 8.4X20X1.5	FLAT WASHER Ø 8.4X20X1.5	1	1	1	1							
	12040566	CONTRATUERCA H 1/4"	COUNTERNUT H 1/4"	1	1	1	1							
7	12024011	CONTACTOR 230 V. 50-60 HZ	230 V. 50-60 HZ CONTACTOR	1	1	1	1							
8	12024591	TERMOSTATO LIMITADOR 10/21	LIMITER THERMOSTAT10/21	1	1	1	1							
9	12024884	TERMOSTATO LIMITADOR CORTE	THERMOSTAT LIMITER	1	1	1	1							
S/Nº	12022001	SOPORTE TERMOS VAPOR	THERMOSTAT SUPPORT	2	2	2	2							
	12023499	TUERCA M.10x1 EGO 00.00600.075	NUT M.10x1 EGO 00.00600.075	2	2	2	2							
10	12025158	BORNAS PORTA FUSIBLES	FUSE HOLDER TERMINAL	2	2	2	2							
11	12024040	CONTAC. SIRIUS 3R 230V.50-60	SIRIUS 3R 230V.50-60 CONTAC.	3	3	6	6							
12	12043563	CHAPA CUADRO ELECT APE 061	ELECTRICAL PANEL APE 061	1	1	-	-							
12	12041913	CUADRO ELECTRICO 101-102 E	ELECTRICAL PANEL 101-102 E	-	-	1	1							
	12010158	REMACHE EXAGONAL M.4	HEXAGONAL RIVET M.4	6	6	6	6							
	12009944	ARANDELA A5	FLAT WASHER A.5	3	3	3	3							
	12009890	ARANDELA ABANICO A5 A.304	FAN SHAPED WASHER A.5	3	3	3	3							
	12010221	TORNILLO EXAGONAL M5x15	HEXAGONAL SCREW M.5x15	3	3	3	3							
13	12091475	VENTILADOR 230V.50-60HZ 12W UL	FAN 230V 50/60HZ 12W UL	2	2	2	2							
14	12097167	MODULO FILTRO COMP. ADV 1/1	MODULE FILTER COMP.ADV 1/1	1	1	1	1							

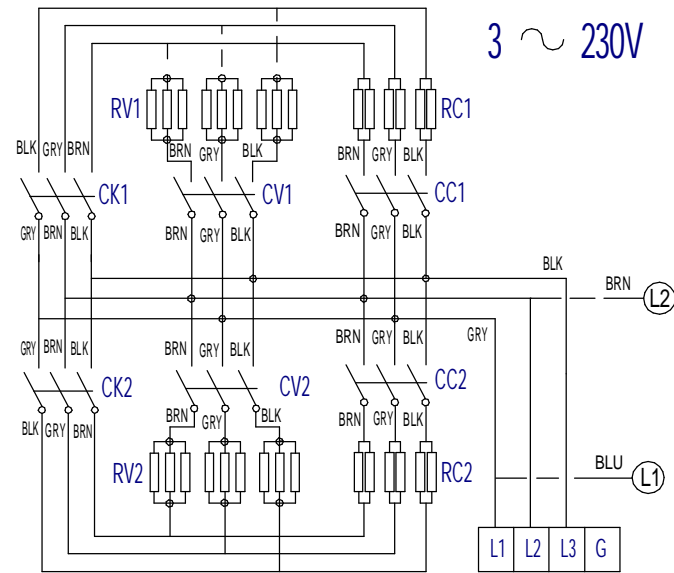


ITEM MARCADO EN COLOR = REPUESTO RECOMENDADO
 COLOURED ITEM = RECOMMENDED SPARE PART

Nº plano / N° plane	Firma	Fecha / Date	Denominación / Denomination: PORTAMANDOS / CONTROL HOLDER	Lamina / Sheet	Fagor Industrial S.Coop. FAGOR
C-3203	<i>name Benfor</i>	2014-02	HORNOS APE-061 W / APE-101W	10	Oñate

MOD.	HORNOS / OVEN	ZONA / ZONE	REPUESTOS RECOMENDADOS RECOMMENDED SPARE PART								PLANO DIAGRAM			
ITEM	CODIGO REFERENCE	DENOMINACION	DENOMINATION	AE-061 W	APE-061 W	AE-101 W	APE-101 W					ELIMINADO ELIMINATED	INTRODUCID. INTRODUCED	NOTAS
	12046015	KIT PUERTA 061	DOOR 061 KIT	1	1	-	-							C-3195
	12046018	KIT PUERTA 101	DOOR 101 KIT	-	-	1	1							C-3195
1	12046041	KIT CRISTAL INTER. 061	061 INNER GLASS KIT	1	1	-	-							C-3195
1	12046042	KIT CRISTAL INTER. 101	101 INNER GLASS KIT	-	-	1	1							C-3195
3	12039312	BISAGRA SUPERIOR	UPPER HINGE	1	1	1	1							C-3195
7	12047967	BASE BISAGRA INFERIOR 6 DIEN	LOWER HINGE BASE	1	1	1	1							C-3195
8	12047580	REP. MANILLA 1/1 ADVANCE	HANDLE 1/1 ADVANCE	1	1	1	1							C-3195
9	12024560	INTERRUPTOR MAGNETICO AC	MAGNETIC SWITCH AC	1	1	1	1							C-3195
14	12023849	ANCLAJE PUERTA	DOOR ANCHORING	1	1	1	1							C-3195
15	12039599	JUNTA PUERTA COMPL. 061	DOOR JOINT 061	1	1	-	-							C-3195
15	12039475	JUNTA PUERTA COMPL. 101	DOOR JOINT 101	-	-	1	1							C-3195
13	12040977	DUCHA	SHOWER	1	1	1	1							C-3196
20	12025161	ELECTROVALV. 230VAC 50/60Hz 1V	SOLENOID VALVE 230VAC 1 V	1	1	1	1							C-3196
1	12024325	MOTOR 230V AC 3N650KW 1450RPM	MOTOR 230V AC 3N650KW 1450	1	1	1	1							C-3197
4	12024510	RETEN 17X28X7V	RETAINER 28x17x7	2	2	2	2							C-3197
5	12010122	ANILLO DE SEGURIDAD Ø 28X1.2	SAFETY RING 28x1,2	1	1	1	1							C-3197
6	12024306	TURBINA RECTA Ø350X127 HANN.	TURBINE RECTA Ø350X127 HAN	1	1	1	1							C-3197
7	12041165	JUNTA RESIST. CIRCULAR 1/1 ADV	RESIST. CIRCULAR 1/1 ADV SEAL	1	1	2	2							C-3197
8	12039496	RESIST.CONVECCION INT. 9Kw ADV	CONVECTION RESIST. INT. ADV	1	1	1	1							C-3197
9	12039497	RESIST.CONVECCION EXT. 9Kw ADV	RESIST.CONVECCION EXT. ADV	-	-	1	1							C-3197
11	12025193	INTERRUPTOR PUERTA	DOOR SWITCH	2	2	2	2							C-3198
12	12024638	MOTOR CHIMENEA	FLUEPIPE MOTOR	1	1	1	1							C-3198
14	12024122	TUBO FLEXIBLE Ø53X360	FLEXIBLE TUBE Ø53X360	1	1	1	1							C-3198
2	12115418	ELECTR. 230V AC 50/60Hz 3 VIAS A	SOLENOID 230V AC 50/60Hz 3 V	1	1	1	1							C-3199
9	12039546	MOTOBOMBA 230V AC 1N 50/60Hz	PUMP 230V AC 50/60Hz 30W 1N	1	1	1	1							C-3199
10A	12093684	KIT VALVULA DESAGUE ADVAN.	VALVE DRAIN ADVANCE KIT	1	-	1	-							C-3005
19	12024708	MOTOBOMBA ACLARADO	MOTOR-PUMP	-	1	-	1							C-3199
20	12047404	MOD CONJUNTO DESAGUE ADV	ADV DRAIN SET MODEL	1	1	1	1							C-3199
1	12046048	KIT GENERADOR VAPOR 601	STEAM GENERATOR 601 KIT	1	1	-	-							C-3200
1	12046049	KIT GENERADOR VAPOR 101	STEAM GENERATOR 101 KIT	-	-	1	1							C-3200
2	12047930	EMPALME GENERADOR 061	GENERATOR JOINT 601	1	1	1	1							C-3200

MOD.		HORNOS / OVEN	ZONA / ZONE	REPUESTOS RECOMENDADOS RECOMMENDED SPARE PART								PLANO DIAGRAM		
ITEM	CODIGO REFERENCE	DENOMINACION	DENOMINATION	AE-061 W	APE-061 W	AE-101 W	APE-101 W					ELIMINADO ELIMINATED	INTRODUCID. INTRODUCED	NOTAS
5	12023573	ELECTRODO ALTO	HIGH LEVEL ELECTRODE	1	1	1	1							C-3200
6	12023574	ELECTRODO BAJO	LOW LEVEL ELECTRODE	1	1	1	1							C-3200
7	12023575	ELECTRODO DE MASA	EARTH ELECTRODE	1	1	1	1							C-3200
10	12024752	RESISTENCIA 3x3000W 230V	RESISTOR 3x3000W 230V	1	1	1	1							C-3200
11	12023680	JUNTA CIERRE RESISTENCIAS	RESISTOR SEAL	1	1	2	2							C-3200
12	12024747	RESISTENCIA 3x3000W	RESISTOR 3x3000W			1	1							C-3200
13	12039546	MOTOBOMBA 230V AC 1N 50/60Hz	PUMP 230V AC 50/60Hz 30W 1N	1	1	1	1							C-3200
15	12115418	ELECTR. 230V AC 50/60Hz 3 VIAS A	SOLENOID 230V AC 50/60Hz 3 V	1	1	1	1							C-3200
16	12098386	CON. TERMOPAR VAPOR 10/21UL	THERMOCOUPLE UNIT10/21 UL	1	1	1	1							C-3200
1	12048794	REP VARIADOR REGULADO 061E	REGULATED VARIATOR 061E	1	1									C-3201
1	12048798	REP VARIADOR REGULADO ADV	REGULATED VARIATOR ADV			1	1							C-3201
2	12098378	CONJ. TERMOPAR CAMARA K UL	THERMOCOUPLE UNIT K UL	1	1	1	1							C-3201
6	12039548	SONDA PINCHO ADVANCE	ADVANCE PROBE PINCHO	1	1	1	1							C-3201
8	12024591	TERMOSTATO LIMITADOR 10/21	LIMITER THERMOSTAT10/21	1	1	1	1							C-3201
9	12024884	TERMOSTATO LIMITADOR CORTE	THERMOSTAT LIMITER	1	1	1	1							C-3201
13	12091475	VENTILADOR 230V.50-60HZ 12W UL	FAN 230V 50/60HZ 12W UL	2	2	2	2							C-3201
17	12091129	TRANSFORMADOR 1N 65W 30V/12V UL	TRANSFORMER 1N 65W230V/12V	1	1	1	1							C-3201
18	12098380	CONJUNTO TERMOPAR L425 UL	THERMOCOUPLE UNIT L425 UL	1	1	1	1							C-3201
20	12025135	CONDENSADOR 3 µF	CONDENSER 3 µF	1	1	1	1							C-3201
1	12046659	CONTROL TARJETA CAM.12V AC .	CARD CONTROL 12V AC 50/60Hz	1		1								C-3202
2	12046672	TARJETA PORTAMAND. VISUAL	CONTROL PANEL VISUAL CARD	1		1								C-3202
3	12046670	CONTROL TARJETA CALD. 12V AC 50/60	CARD CONTROL 12V AC 50/60Hz	1		1								C-3202
5	12043405	ENCODER GAMA ADVANCE	ADVANCE RANGE ENCODER	1		1								C-3202
7	12044139	SERIGRAFIA ADVANCE	ADVANCE SERIGRAPHY	1		1								C-3202
1	12041815	JUNTA PORTAMANDOS ADV PLUS	CONTROL PANEL SEAL ADV PLUS		1		1							C-3203
3	12046670	CONTROL TARJETA CALD. 12V AC 50/60	CARD CONTROL 12V AC 50/60Hz		1		1							C-3203
4	12121349	PLAT ADV PLUS CON SOFTWARE	ADV PLUS SOFTWARE PLATF.		1		1							C-3203
5	12046659	CONTROL TARJETA CAM.12V AC .	CARD CONTROL 12V AC 50/60Hz		1		1							C-3203
6	12093379	PULSADOR SERIE MICRO UL	MICRO SWITCH SERIES UL		1		1							C-3203
7	12024064	CONECTOR USB VISUAL PLUS	VISUAL PLUS USB CONNECTOR		1		1							C-3203



Mod. 061, 101	RC1=3x3KW
Mod. 201	RC1=3x6KW
Mod. 102	RC1=3x5KW
Mod. 202	RC1=6x5KW

Mod. 101	RC2=3x3KW
Mod. 201	RC2=3x6KW
Mod. 102	RC2=3x5KW
Mod. 202	RC2=6x5KW

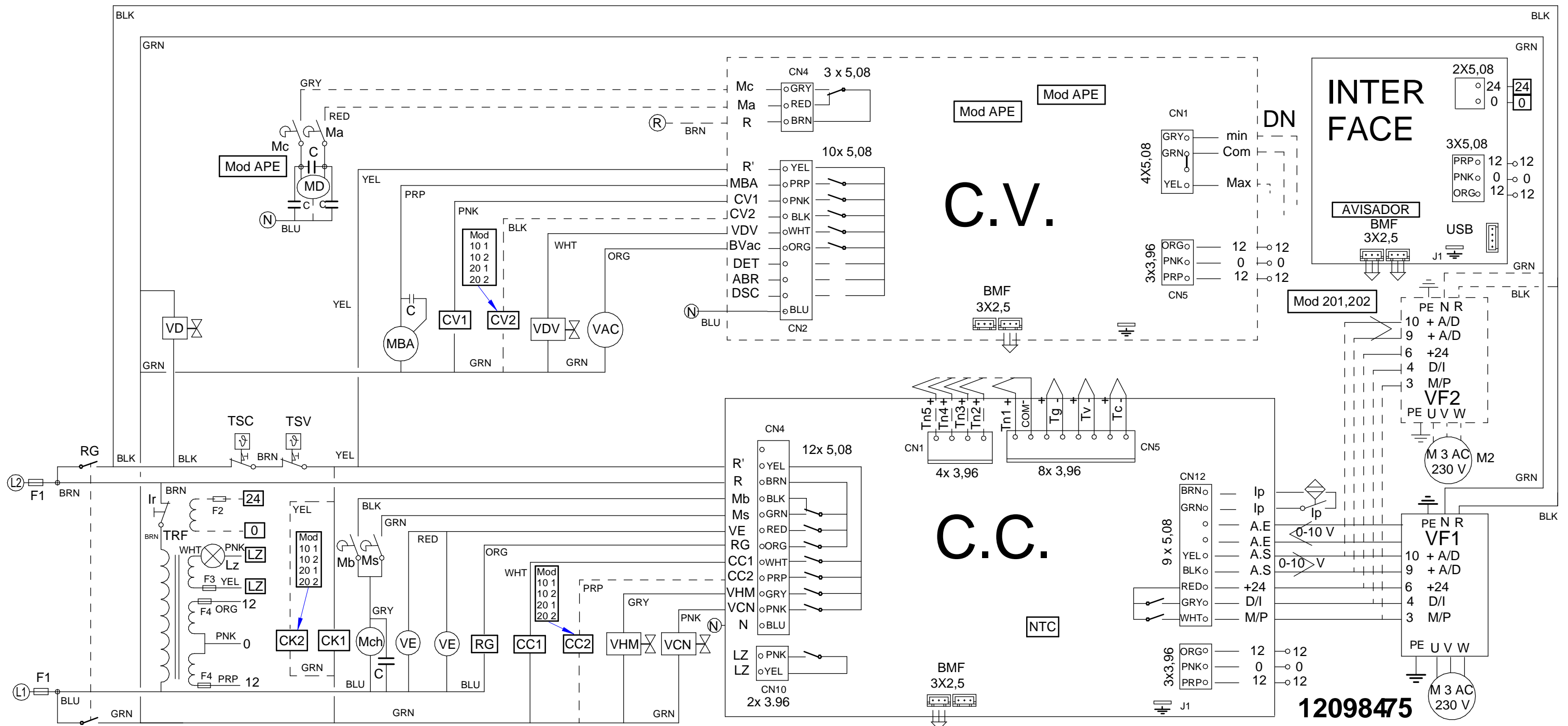
Mod. 061, 101	RV1=3x3KW
Mod. 201, 102	RV1=6x3KW
Mod. 202	RV1=9x3KW
Mod. 101, 102, 201	RV2=3x3KW
Mod. 202	RV2=9x3KW

APE 061 W,
APE 201 W,
APE 202 W

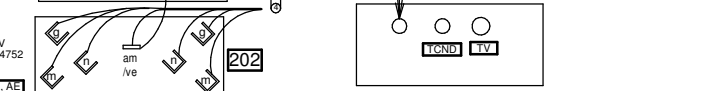
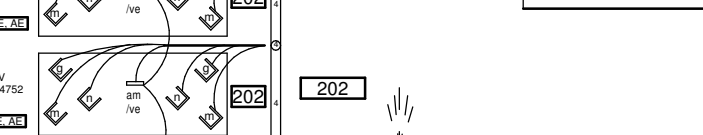
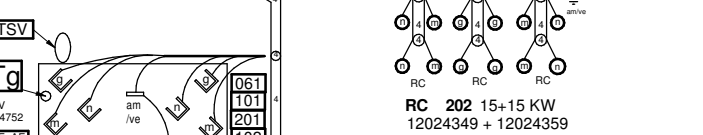
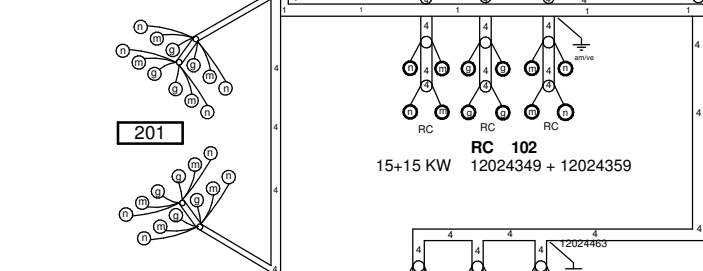
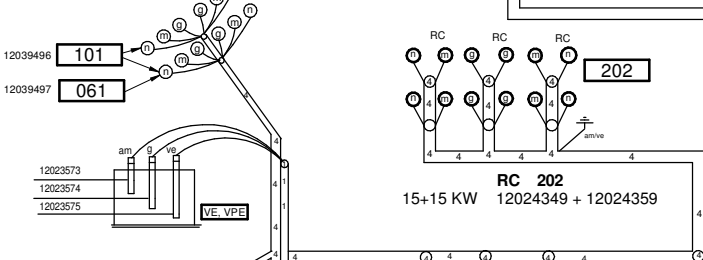
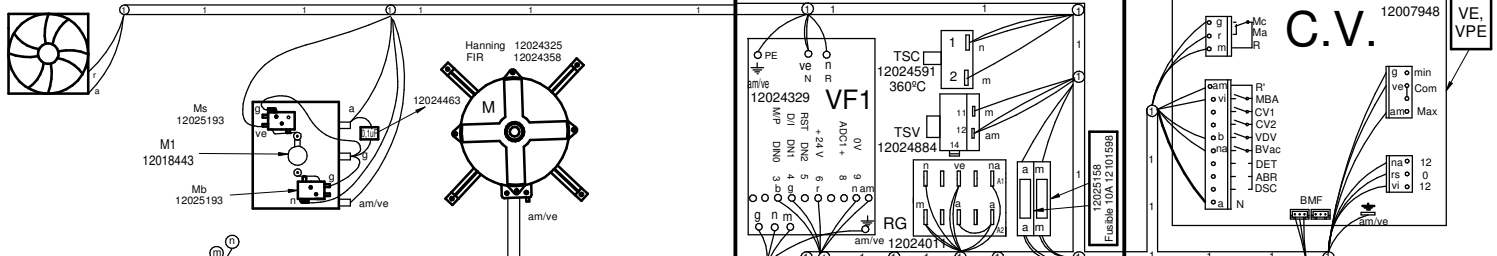
APE 101 W,
APE 102 W,

AE 061 W,
AE 201 W,
AE 202 W

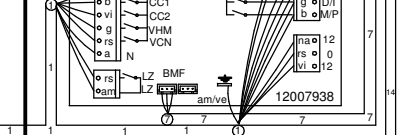
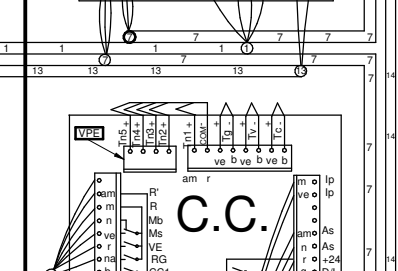
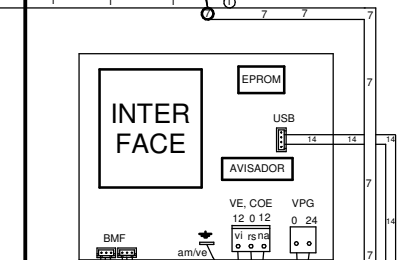
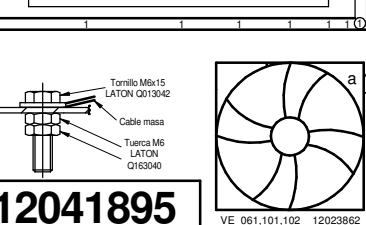
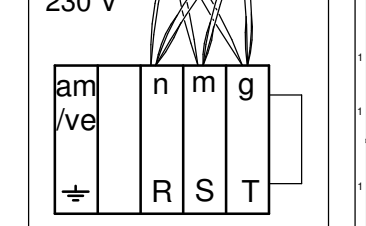
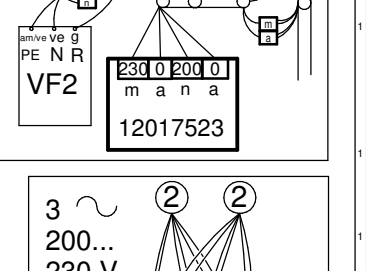
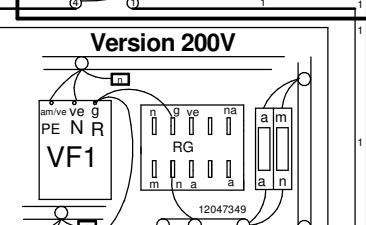
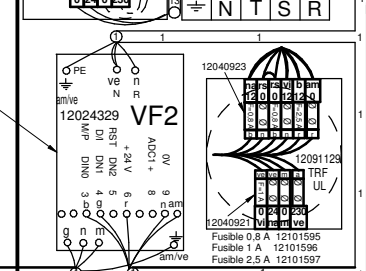
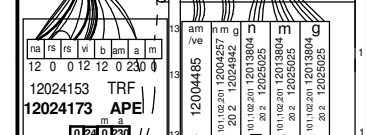
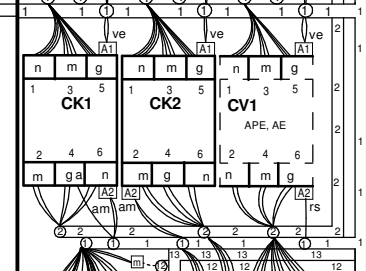
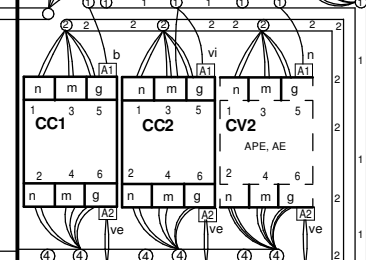
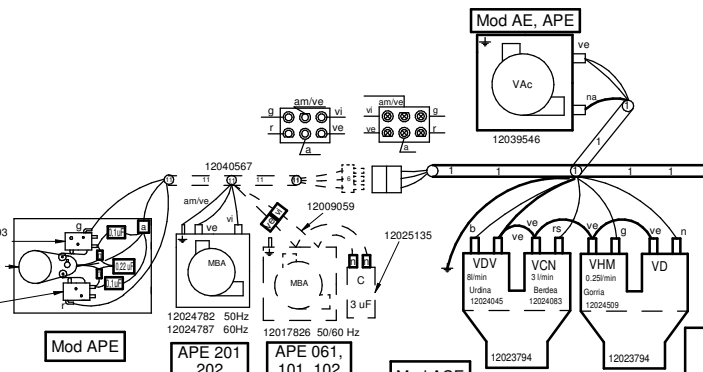
AE 101 W,
AE 102 W,



12098475

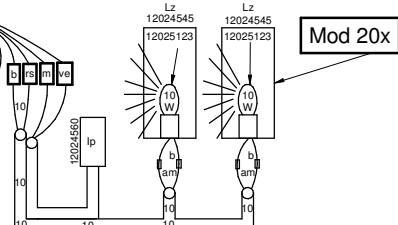
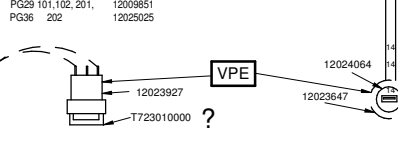
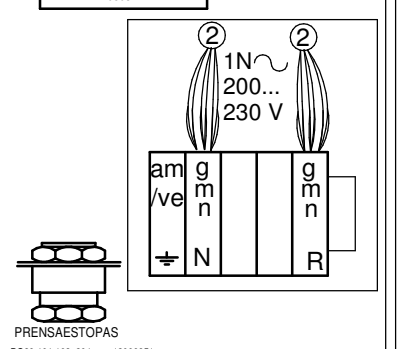


	061	101	102	201	202	201	102	101	061
	A E		A P E		A E		A C E		
General	1	12043785	12041848	12041729	12043770	12043773	12043788		
General UL	1	12098154	12098171						
FUERZA	2	12009443	12008538	12041830	12043793	12009306	12009302		
FUERZA UL	2	12098246	12098251						
CC, CV, CK		12024040	12041014	12043505	12041014	12024040			
Resist	4	12043785	12041911	12009450	12041781	12041804	12043797	12043807	12043802
Resist UL	4	12098258	12098261						
BMF	7			12023696					
Lz	10	12024569		12024575			12024569		
Lav (APE)	11		12040567						
Rst (APE)	12		12008976						
TFT (APE)	13		12008257						
USB (APE)	14		12023775						
Esquema	-	12041777	(Mod. 200V 12047334)	(Mod 400V sin Neutro 12093105)	(12098475 UL)				
Leyenda	-			12022177					
Ind. Comp	-			12022160					



- Variador de Siemens.**
Pulsar [P] para entrar o salir de los Parametros.
Nota: Si se modifica algun valor del nivel Basico, hay que volver a grabar el nivel 3.
- P0010 = 1 (Para inicio programación. (Nivel Basico))
 - P0100 = 0 (Valor en KW 50Hz. Europa)
 - P0304 = 230 (Vn V)
 - P0305 = 1.8 (Inb A)
 - P0307 = 0.37 (Fn KW)
 - P0310 = 50 (Fn Hz)
 - P0311 = 1400 (rpm Nom)
 - P0700 = 2 (Terminal)
 - P1000 = 2 (Consigna ADC)
 - P1080 = 25 (F.min Hz)
 - P1082 = 50 (F.Max Hz)
 - P1120 = 5 (Ton °)
 - P1121 = 5 (Tr °)
 - P3900 = 1 (Fin de la programación y grabación de datos).
 - P0003 = 3 (Nivel 3 Experto).
 - P0005 = 27 (Visualizacion = Corriente de salida)
 - P0611 = 16000 (Tiempo de activación de sobrecarga Seg.)
 - P0640 = 150 (Sobrecarga de corriente en %)
 - P1210 = 6 (Rearranque automático)
 - P1300 = 2 (Modo Parábola. Ventilador)
 - P1800 = 16 (F. Base KHz) (Cuanto mas alto: ruido acústico)
 - P2000 = 55 (F. Referencia de la consigna Hz) (H061 = 47)

COPIAR PARAMETROS DESDE EL BOP AL VARIADOR. SOLO USAR CUANDO EL BOP SE HA BORRADO. P0802 desde Variador a BOP.



	ESPAÑOL	FRANÇAIS	ENGLISH	DEUTSCH	ITALIANO
BEC	Bujía Encendido Cámara	Chamber Allumage Chambre	Chamber Spark Plug	Zündkerze Einschalten Garraum	Candela di Accensione Camera
BEV	Bujía Encendido Caldera	Bougie Allumage Chaudière	Boiler Spark Plug	Zündkerze Einschalten Boile	Candela di Accensione Caldaia
C.C.	Control Camara	Contrôle Chambre	Chamber Control	Steuerung Garraum	Controllo Camera
C.E.C	Control Combustión Cámara	Contrôle Combustion Chambre	Chamber Combustion Control	Steuerung Verbrennung Garraum	Controllo Combustione Camera
C.E.V	Control Combustión Caldera	Contrôle Combustion Chaudière	Boiler Combustion Control	Steuerung Verbrennung Boiler	Controllo Combustione Caldaia
C.G.	Control Gas	Contrôle Gaz	Control Gas	Steuern Sie Gas	Controlli il gas
C.V.	Control Caldera	Contrôle Chaudière	Boiler Control	Steuerung Boiler	Controllo Caldaia
CC1, CC2	Contactador Resistencia Cámara	Contacteur Élément Chauffant Chambre	Chamber Heating Element Contactor	Schütz Heizwiderstand Garraum	Contattore Resistenza Camera
CK1, CK2	Contactador General Calentamiento	Relais Élément Chauffant	Heating Element Relay	Relais Heizwiderstand	Relè Resistenza
CV1, CV2	Contactador Resistencias Caldera	Contacteur Élément Chauffant Chaudière	Boiler Heating Element Contactor	Schütz Heizwiderstand Boiler	Contattore Resistenza Caldaia
DEC	Detector Llama Cámara	Détecteur Flamme Chambre	Chamber Flame Detector	Flammendetektor Garraum	Rilevatore di Fiamma Camera
DEV	Detector Llama Caldera	Détecteur Flamme Chaudière	Boiler Flame Detector	Flammendetektor Boiler	Rilevatore di Fiamma Caldaia
DN	Detector Nivel Caldera	Détecteur Niveau Chaudière	Boiler Level Detector	Pegeldetektor Boiler	Rilevatore Livello Caldaia
F	Fusibles	Fusibles	Fuses	Sicherungen	Fusibili
FI	Filtro Interferencias	Filtre Interférences	Interference Filter	Störungsfilter	Filtro Interferenze
FM	Térmico Motor	Thermique Moteur	Thermal Engine	Thermoschalter Motor	Termico Motore
GV1, GV2	Electro válvula Gas Cámara	Électrovanne Gaz Chambre	Chamber Gas Solenoid Valve	Elektroventil Gas Garraum	Elettrovalvola Gas Camera
GV3, GV4	Electro válvula Gas Caldera	Électrovanne Gaz Chaudière	Boiler Gas Solenoid Valve	Elektroventil Gas Boiler	Elettrovalvola Gas Caldaia
Ip	Interruptor Seguridad Puerta	Interrupteur Sécurité Porte	Door Safety Switch	Sicherheitsschalter Tür	Itteruttore Sicurezza Porta
Lz	Luz Interior	Éclairage Intérieur	Inner Light	Innenbeleuchtung	Luce Interna
M, M2	Motor Turbina	Moteur Turbine	Turbine Engine	Motor Turbine	Motore Turbina
Ma	Interruptor Micro Abierto	Microrupteur Ouvert	Open Microswitch	Mikroschalter Geöffnet	Iterruttore Micro Aperto
Mb	Interruptor Micro Bajada	Microrupteur Descente	Drop Microswitch	Mikroschalter Senken	Iterruttore Micro Discesa
Mc	Interruptor Micro Cerrado	Microrupteur Fermé	Closed Microswitch	Mikroschalter Geschlossen	Iterruttore Micro Chiuso
Mch	Motor Chimenea	Moteur Cheminée	Stack Engine	Motor Abluftkamin	Motore Canna
MD	Motor Desague	Moteur évacuation	Drain Engine	Motor Abfluss	Motore scolo
Ms	Interruptor Micro Subida	Microrupteur Montée	Rise Microswitch	Mikroschalter Heben	Iterruttore Micro Salita
PF	Potenciómetro Selector Funciones	Potentiomètre Sélecteur Fonctions	Functions Selector Potentiometer	Potentiometer Funktionswahlschalter	Potenziometro Selettore Funzioni
RC	Resistencias Cámara	Éléments Chauffants Chambre	Chamber Heating Element	Heizwiderstände Garraum	Resistenze Camere
RG	Rele General	Relais Général	Main Relay	Hauptrelais	Relè principale
RV	Resistencias Caldera	Éléments Chauffants Chaudière	Boiler Heating Element	Heizwiderstände Boiler	Resistenze Caldaia
Tc	Sonda Cámara	Sonde Chambre	Chamber Probe	Sonde Garraum	Sonda Camera
TCN	Termostato Condensación	Thermostat Condensation	Condensation Thermostat	Thermostat Kondensierung	Termostato Condensazione
Tg	Sonda Caldera	Sonde Chaudière	Boiler Probe	Sonde Boiler	Sonda Caldaia
Tn	Sonda Núcleo	Sonde Noyau	Core Probe	Kerntemperaturmesssonde	Sonda Nucleo
TRF	Transformador	Transformateur	Transformer	Transformator	Trasformatore
TSC	Termostato Seguridad Cámara	Thermostat Sécurité Chambre	Chamber Safety Thermostat	Sicherheitsthermostat Garraum	Termostato Sicurezza Camera
TSV	Termostato Seguridad Caldera	Thermostat Sécurité Chaudière	Boiler Safety Thermostat	Sicherheitsthermostat Boiler	Termostato Sicurezza Caldaia
Tv	Sonda Vapor	Sonde Vapeur	Steam Probe	Sonde Dampf	Sonda Vapore
VAC	Bomba Vaciado	Pompe Vidange	Vacuum Pump	Ablasspumpe	Pompa scarico
MBA	Moto Bomba Aclarado	Pompe Rinçage	Rinsing Pump	Pumpe Ausspülen	Pompa Risciacquo
VC1, VC2	Ventilador Soplante Camara	Ventilateur Soufflant	Blowing Fan	Ventilator Gebläse	Ventilatore Soffiante
VCN	Electro válvula Condensación	Électrovanne Condensation	Condensation Solenoid Valve	Elektroventil Kondensierung	Elettrovalvola Condensazione
VDV	Electro válvula Llenado Caldera	Électrovanne Remplissage Chaudière	Chamber Filling Solenoid Valve	Elektroventil Füllung Boiler	Elettrovalvola di Riempiemento Caldaia
VE	Ventilador Cuadro Eléctrico	Ventilateur Tableau Électrique	Fan Switchboard	Ventilator Elektrotafel	Ventilatore Quadro Elettrico
VF1, VF2	Variador de Frecuencia	Variateur Vitesse	Speed Variator	Geschwindigkeitsregler	Variatore di Velocità
VHM	Electro válvula Humidificador	Électrovanne Humidificateur	Humidifier Solenoid Valve	Elektroventil Befeuchtungsvoerrichtung	Elettrovalvola Umidificatore
Vv	Ventilador Soplante Caldera	Ventilateur soufflement chaudière	Boiler Blowing Fan	Durchbrennenventilator zum Dampfkessel	Ventilatore Soffiante caldaia
	COLORES	COULEURS	COLOUR	FARBEN	COLORE
a	Azul	Bleu	Blue	Blau	Blu
am	Amarillo	Jaune	Yellow	Gelb	Giallo
am/ve	Amarillo/verde	Jaune / vert	Yellow / green	Gelb/grün	Giallo/verde
b	Blanco	Blanc	White	Weiß	Bianco
g	Gris	Gris	Grey	Grau	Grigio
m	Marrón	Marron	Brown	Braun	Marrone
n	Negro	Noir	Black	Schwarz	Nero
na	Naranja	Orange	Orange	Orange	Arancio
r	Rojo	Rouge	Red	Rot	Rosso
rs	Rosa	Rose	Pink	Rosa	Roseo
ve	Verde	Vert	Green	Grün	Verde
vi	Violeta	Violet	Purple	Violett	Viola