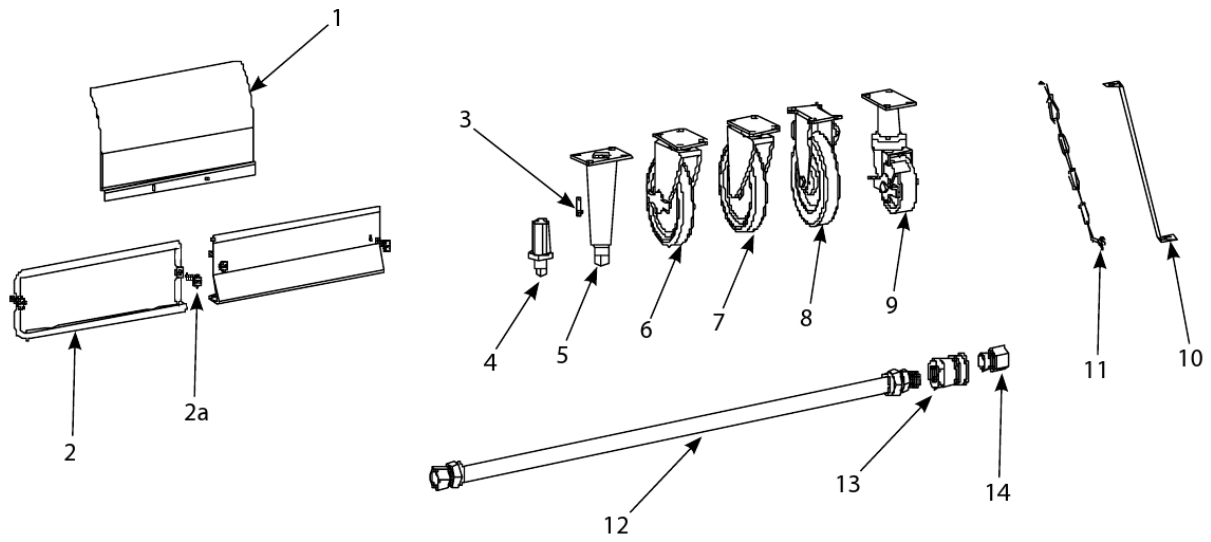


35 Series Gas Fryers

Accessories



35 Series Gas Fryers

Accessories

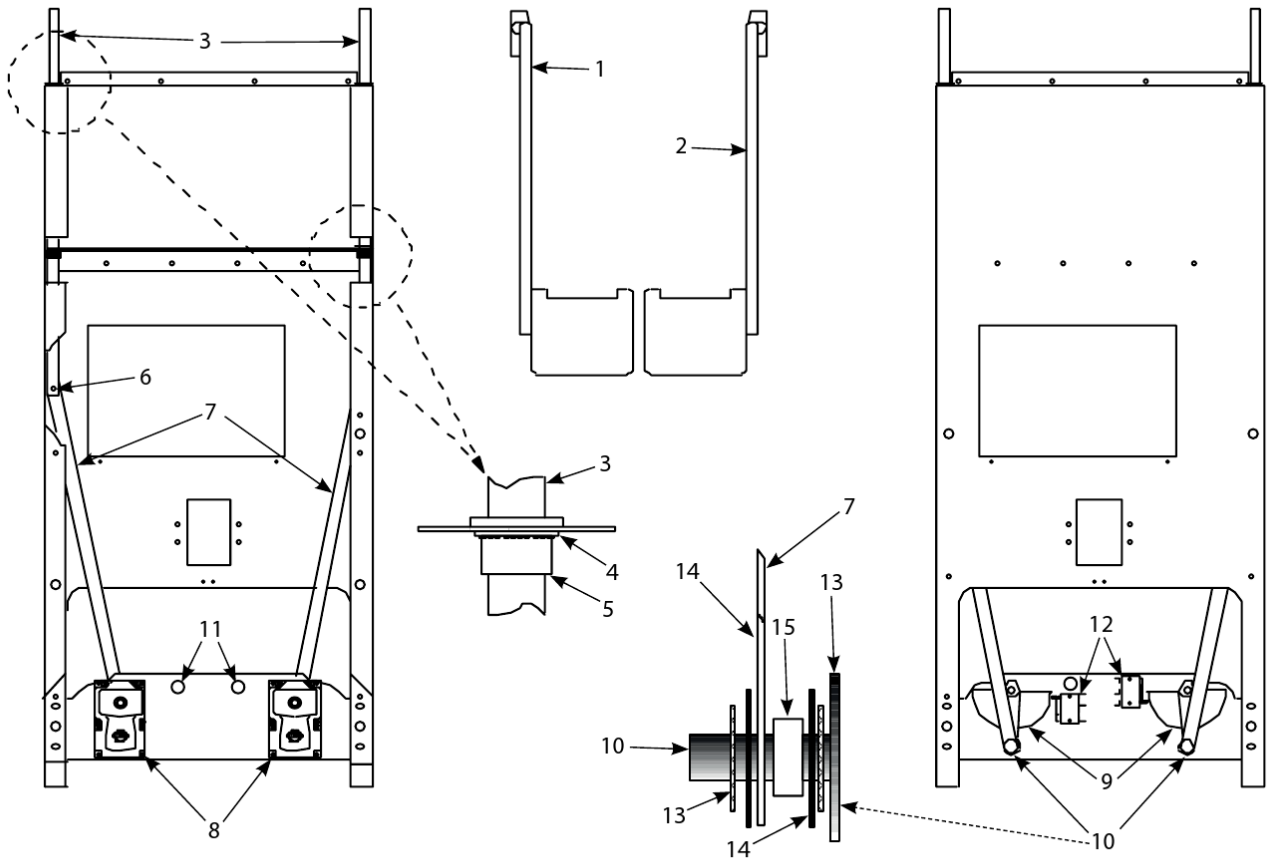
#	PART #	DESCRIPTION	QTY	Note
1	9103557	Fryer's Friend 27"	1	
2	8101403	Hanger, Wireform Basket	1	
2a	8090171	Thumbscrew, 0.25-20 x 1.375-inch	1	
2b	8090921-FRY	Spacer, Basket Hanger	1	[1]
2c	8261351	Nut Retainer, 0.25-20 Std. Fluecap	10	[2]
3	8261389	Screw - 0.25"-20 x 0.75" Hex Head ZP	10	
4	8100007	Leg, Square Tube	1	
5	8263320	Leg - 4 Pack	1	[3]
6	8100357	Caster with Brake - 5"	1	
7	8100356	Caster without Brake - 5"	1	
8	8100378	Caster, Stationary- 5" Rigid	1	
9	8100651	Caster w/Brake -FootPrint II	1	
10	8261095	Anchor Strap Kit	1	[4]
11	8260900	Kit, Chain Restraint	1	[5]
12	8100085	Gas Line, 1-Inch Dormont Flexible, 48-Inch	1	
12a	8100084	Hose, Flexible Gas, 0.75-inch x 48-inch	1	
13	8100073	Coupling, Gas Line Female Quick Disconnect 1-inch	1	
13a	8103745	Quick Disconnect - 0.75"	1	
14	8100074	Quick-Disconnect Fitting, 1-Inch Male	1	
14a	8103745	Quick Disconnect - 0.75"	1	
15	8030271	Basket, Twin Size	1	
16	8030032	Basket Support Rack, J2X	1	[6]
17	8030037	Basket rack, fine mesh GF14	1	[6]
18	8030188	Sediment tray, GF14	1	
19	8030197	Fryer's Friend	1	
20	9107443	Top Connecting Strip	1	

PART NOTES:

- [1] - goes behind Item 2a and covers screw threads
- [2] - for use on standard fluecap
receives Item 2a
- [3] - 4 Per Set
- [4] - for use on fryers equipped with legs only
- [5] - for use on fryers equipped with casters only
- [6] - 11.5-inch X 14.5-inch

35 Series Gas Fryers

Basket Lift



35 Series Gas Fryers

Basket Lift

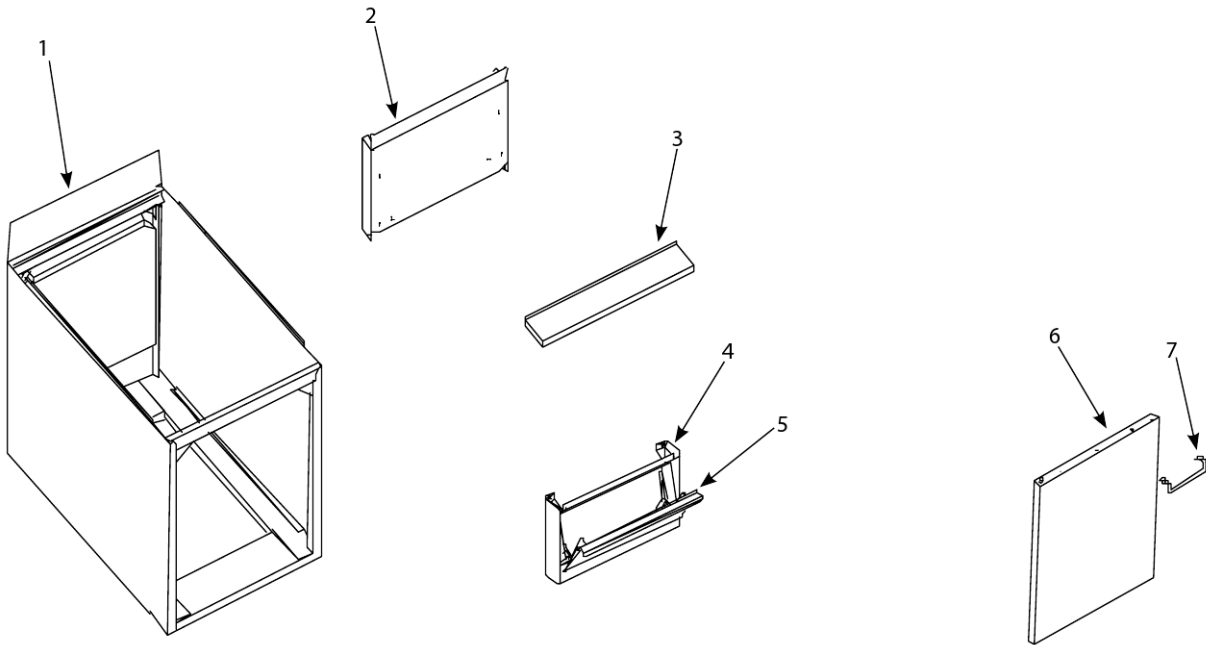
#	PART #	DESCRIPTION	QTY	Note
1	8230040	Basket Lift Arm, MJ35 Left	1	
1a	8237062	Basket Lift Arm, Left	1	[1]
2	8237057	Basket Lift Arm - Right	1	
2a	8237064	Basket Lift Arm, Right	1	[1]
3	8100192	Rod, Basket Lift	1	
4	8090082	Ring, Bushing Retainer	1	
5	8130035	Bushing , Oiltite .640 I.D.	1	
6	8100170	Pin, Connecting	1	
7	9206076	Link, Basket Lift	1	
8	8070107	Motor, Gear	1	
8a	8070108	Gearmotor - Basket Lift - 240V	1	
9	8100052	Bellcrank and Cam	1	
9a	8090480	Setscrew, 0.25-28 X 0.625-inch Hex Socket Head	1	[2]
10	8090155	Leveling Screw	1	
11	8070124	Bushing, Plastic	1	
12	8070240	Microswitch	1	
13	8090194	Flat Washer - 0.3125" ZP	1	
14	8261381	Washer, Nylatron	10	
15	8100220	Spacer, Tubular, .493 OD	1	
16	9003783	Cover, Stainless Steel Rear Cabinet (mild steel)	1	
16a	9103783	Cover, Stainless Steel Rear Cabinet	1	[3]
17	8062079SP	Wiring Harness, Basket Lift Motor (6-pin female w/7 wires)	1	
18	8067019SP	Wiring Harness, Non-Modular Basket Lift (6-pin male & female w/5 wires)	1	
19	8090503	Screw - #8-32 x 0.5" Slotted Truss Head	1	[4]

PART NOTES:

- [1] - for FM35 units
- [2] - secures Item Bell Crank to Item Gear Motor, Basket Lift, 120VAC
- [3] - for stainless steel
- [4] - Hex Head

35 Series Gas Fryers

Cabinetry



35 Series Gas Fryers

Cabinetry

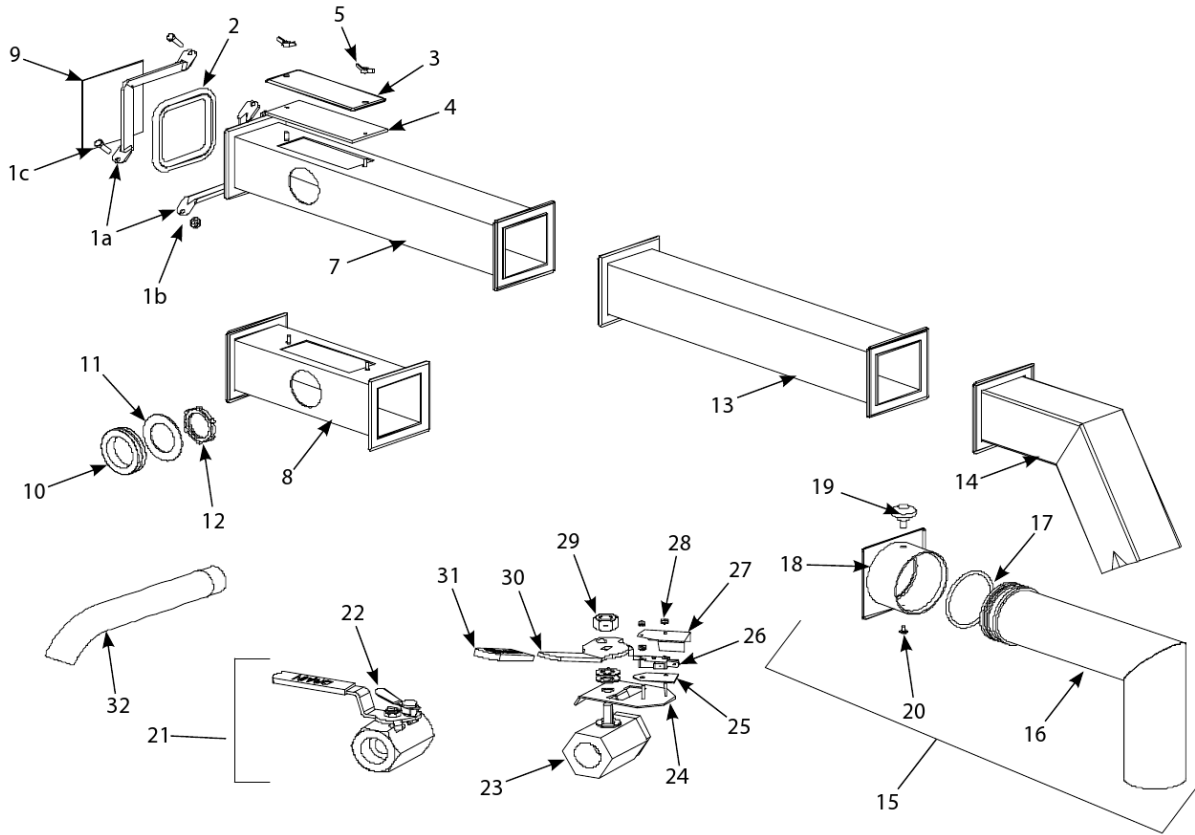
#	PART #	DESCRIPTION	QTY	Note
1	80645981SP	Cabinet Assembly, Stainless Steel	1	
1a	8064598SP	Cabinet Assembly, Cold Rolled Steel	1	
2	9105040	Flue Cap, Single	1	
2a	9105041	Flue Cap, Double	1	
2b	9105042	Flue Cap, Triple	1	
3	8240442SP	Top Cap, Single	1	
3a	8240443SP	Top Cap, Double	1	
3b	8240444SP	Top Cap, Triple	1	
4	8065287	Control Panel Assembly with Thermostat Access Door, Single	1	
4a	8064733	Control Panel Assembly with Thermostat Access Door, Double	1	
4b	8064734	Control Panel Assembly with Thermostat Access Door, Triple	1	
5	9104480	Thermostat Access Door	1	
6	8066405SP	Door Assembly, Short, Stainless Steel	1	
6a	8066405SP	Door Assembly, Short, Stainless Steel	1	[1]
6b	8063338	Door Assembly, Long, Cold Rolled Steel	1	[2]
6c	8063337	Door Assembly, Long, Stainless Steel	1	[2]
7	8101422	Handle, Wireform Door	1	[3]
8	8261343	Spring - Door Pin Hinge	1	
9	1064067SP	Door Pin Assembly	1	
10	8101508	Hinge, Universal Door	1	
11	8100066	Magnet	1	
12	9106039	Trough, Backsplash	1	
13	8065518	Cover, Frypot, Full Vat	1	

PART NOTES:

- [1] - used on G-Series units only
- [2] - used on all except G-Series units
- [3] - wire form

35 Series Gas Fryers

Drain System Components



35 Series Gas Fryers

Drain System Components

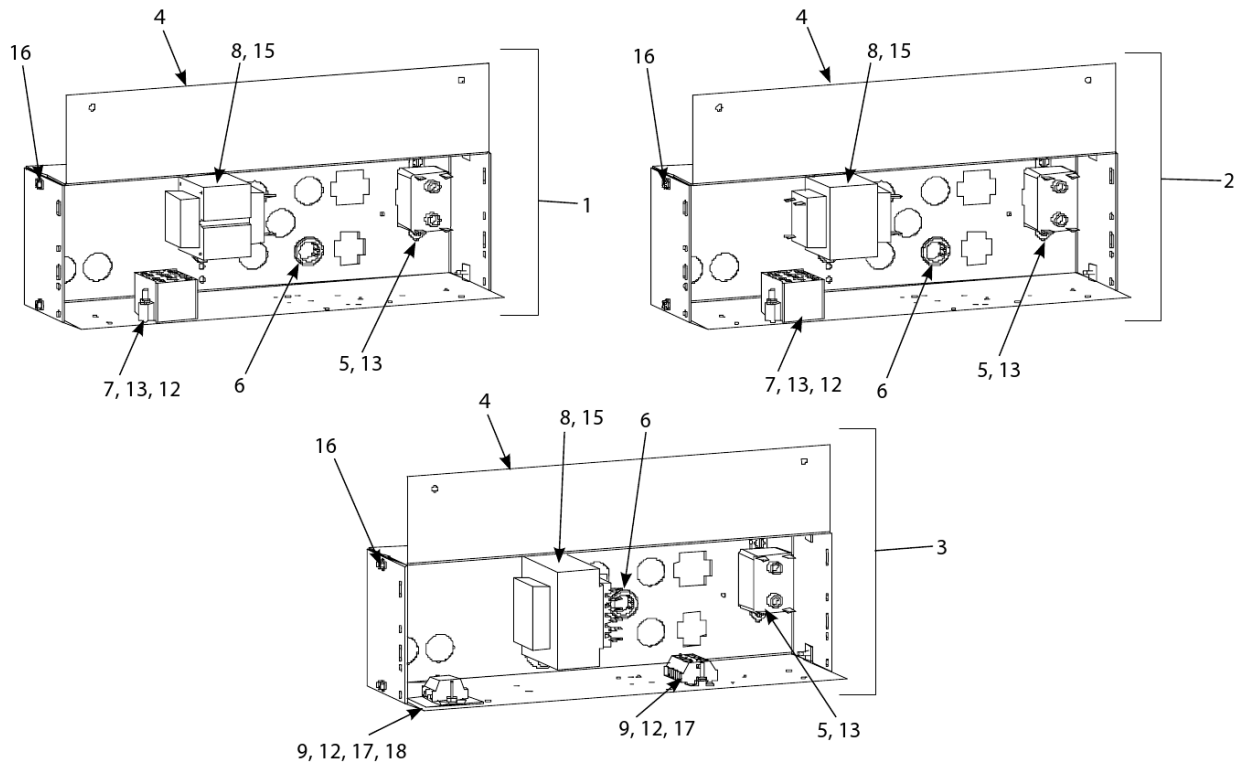
#	PART #	DESCRIPTION	QTY	Note
1	8260877	Kit, Square Drain Clamp	1	[1]
1a	8100396	Clamp, Square Drain	1	[2]
1b	8261362	Nut - 0.25"-20 Hex	1	
1c	8261375	Screw - #10-32 x 0.75" - Hex Trim Head SS	1	
2	8160032	Gasket, Square Drain	1	[3]
3	8261348	Cover, Drain Cleanout	5	
4	8160021	Gasket, Drain Cleanout	1	
5	8261382	Wingnut	10	
6	9000757	Cover, Drain End	1	
7	8230717	Drain Tube, Open End Long	1	
8	8230718	Drain Tube, Left End, 2.5 x 8.0-inch	1	
9	8130284	Nipple - 0.75" x 1" NPT	1	[4]
10	8160092	Grommet, 1-inch Drain	1	
11	8261345	Washer, 1-inch Drain	25	[5]
12	8090347	Nut, 1-inch NPT Retainer	1	
13	8230731	Extension, Spreader Cabinet, 15.5-inches Long	1	
14	8230719	Drain Outlet, Fixed	1	
15	8064068SP	Elbow, Swivel, Complete Assembly (Items 5-9)- FMCF	1	
16	8231091	Drain Tube, Swivel	1	
17	8160083	O-Ring, 2.5-inches ID	1	
18	8231092	Collar, Drain	1	
19	8100388	Knob, 1" Black	1	
20	8090115	Screw - #10-32 x 0.25" Truss Head	1	
21	8101569	Valve, 1.25-inch, Non-filter, Full-vat Drain	1	[6]
22	8101568	Handle, Drain Valve	1	
23	8101020	Valve, 1-inch Full-Vat Drain	1	[7]
24	8068137	Bracket Assembly, Full-Vat Drain Safety Switch	1	
25	8160220	Insulation, Microswitch	1	
26	8072103	Microswitch	1	
27	9002841	Cover, Full Vat Drain Safety Switch	1	
28	8261366	Nut - #4-40 Keps Hex	1	
29	8090540	Nut, Lock 0.5-inch-13 Hex 2-Way ZP	1	
30	8100820	Components, Handle, Drain Valve w/o Lock Pin	1	
31	8160211	Sleeve, Handle	1	
32	8130188	Drain Nipple, Extended	1	

PART NOTES:

- [1] - Contains 2 Clamps, 2 Nuts and 1 Screw
- [2] - Requires 2 per connection
- [3] - Connection Gasket
- [4] - connects drain valve to drain tube
- [5] - 1.375-in. ID x 2.1875 -in. OD
- [6] - for use on MJ35 units
- [7] - for use on FM35 units

35 Series Gas Fryers

Filter Boxes



35 Series Gas Fryers

Filter Boxes

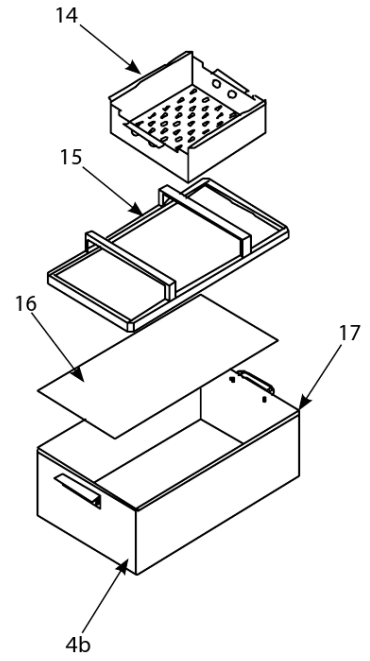
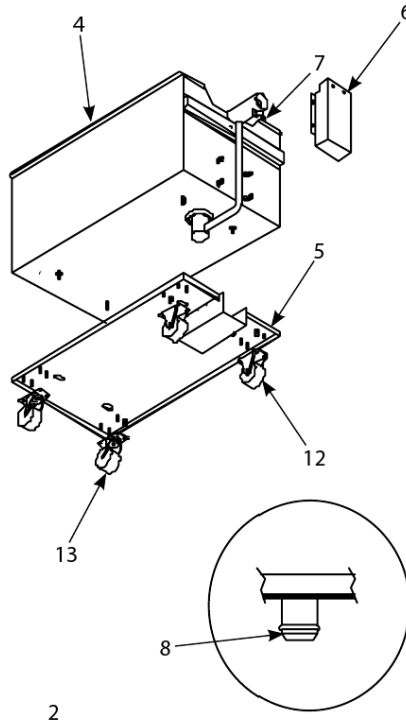
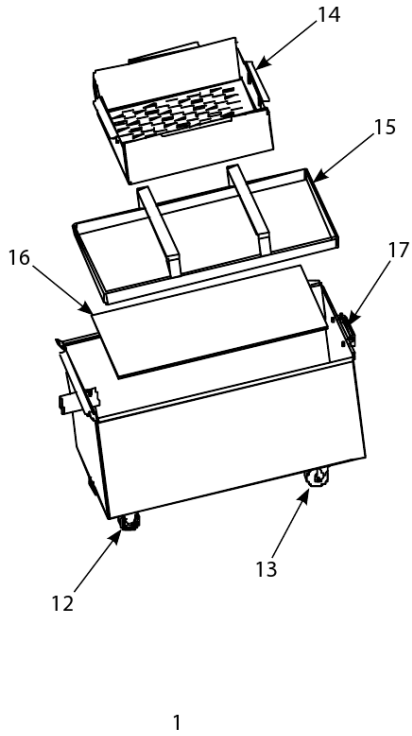
#	PART #	DESCRIPTION	QTY	Note
1	8064359SP	Box Assembly, 120VAC Non-CE Filter	1	
2	8064360	Box Assembly, 208-240VAC Non-CE Filter	1	
3	8066709	Box Assembly, 230VAC CE Filter	1	
4	2000410	Box, Control, Filter Magic Common Electric	1	
5	8070012	Filter Relay - 18A 24VAC	1	
6	8070124	Bushing, Plastic	1	
7	8070276	Block, UL Male 12 Pin Terminal	1	
8	8070800	Transformer, 100-120V/24V 50VA Filter and MIB	1	[1]
8a	8070680	Transformer, 208V, 50/60Hz -24V 20VA	1	[1]
8b	8074978	Transformer - Dual Voltage 100-120V/12V 30VA /24V 50VA	1	[1]
9	8261366	Nut - #4-40 Keps Hex	25	
10	8261358	Nut, 6-32 Keps Hex	25	
11	8090050	Nut, 8-32 Hex	1	
12	8261359	Screw - #4-40 x 0.75" Slotted Round Head	25	
13	8090096	Screw, 6-32 x 0.625-inch Slot Head	1	
14	8090097	Screw, 6-32 X 1-inch Slotted Truss Head	1	
15	8261363	Screw - #8-32 x 0.5" NP	25	
16	8090360	Screw, 8 x 0.375-inch Hex Washer Slot Head	1	
17	8101164	Block, One-Piece Screwless Terminal	1	
18	8160217	Insulation, Terminal Block Paper	1	
19	WIR0010SP	Harness and Wire Assemblies, 120V Standard Filter Control	1	
20	WIR0146SP	Harness and Wire Assemblies, 230V/50Hz Filter Box	1	

PART NOTES:

[1] - used with CE

35 Series Gas Fryers

Filter Pans



35 Series Gas Fryers

Filter Pans

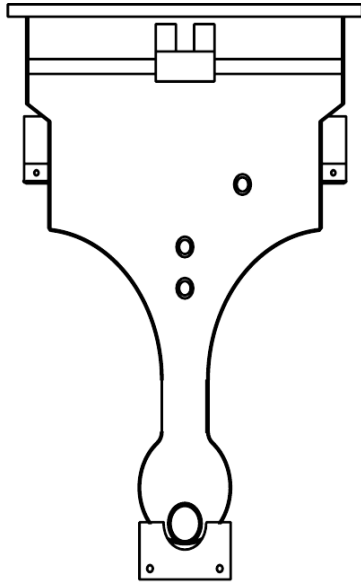
#	PART #	DESCRIPTION	QTY	Note
1	8069255SP	Filter Pan Assembly	1	[1]
1a	8232751SP	One-Piece Pan Only	1	
2	8066093SP	Two-Piece Pan Assembly, Complete	1	[2]
3	8064338SP	Outer Pan Assembly	1	[3]
4	8231360SP	Outer Pan Assembly	1	
4a	8065282SP	Inner Pan Assembly	1	[4]
4b	8231731SP	Inner Pan Assembly	1	
5	8231361	Base, Filter Pan Assembly	1	
6	8240291	Cover, Suction Tube	1	
7	9101350	Clamp - Suction Tube	1	
8	8160117PK	O-Ring - 0.609 OD - QTY 10	1	
9	8064373	Heater Strip Assembly	1	
10	8110861	Foam Insulation – by the foot	1	
11	8110746-FRY	Aluminum Tape – 50 yard roll	1	[5]
12	8102807	Caster - 2" Rigid	1	
13	8102805	Caster - 2"	1	
14	8240416	Crumb Screen	1	
15	8101406	Hold Down Ring Assembly	1	
16	8103537	Screen, Sana Grid	1	
17	8100180	Handle	1	
18	8030170	Filter Paper, 16.5" x 25.75"	100	
19	8030002	Powder, Filter	1	[6]

PART NOTES:

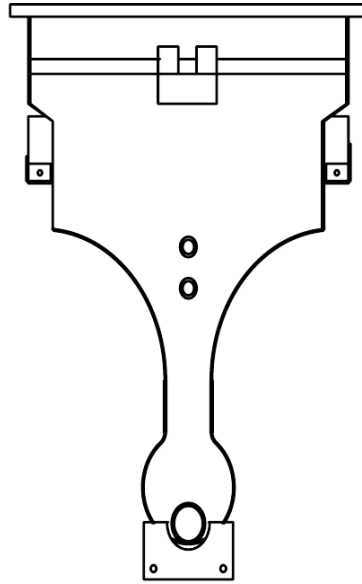
- [1] - Includes items Suction Tube clamp, O-Ring, .609 OD, Foam Insulation, Aluminum Insulation (50-yard/46m roll) and Rigid Caster
- [2] - Unique components are listed below
- [3] - Includes items Filter Pan Assembly, Outer Pan, Filter Pan Assembly Base, Suction Tube Clamp, O-Ring, .609 OD and Heater Strip Assembly
- [4] - Includes items Pan Assembly, Suction Tube Cover, Foam Insulation, Aluminum Insulation (50-yard/46m roll) and Rigid Caster
- [5] - 50-yard/46m roll
- [6] - 100 1-cup applications

35 Series Gas Fryers

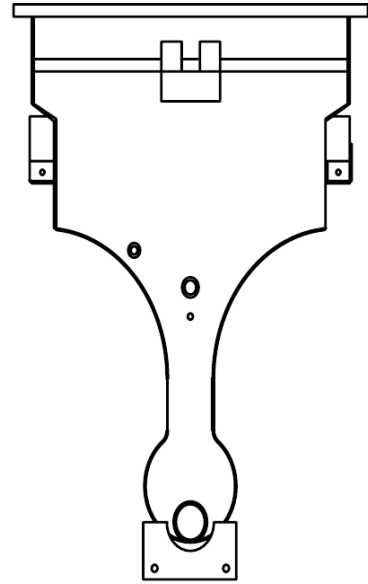
Frypots



FM35
Frypot



MJ35
Frypot



MJ35V
Frypot

35 Series Gas Fryers

Frypots

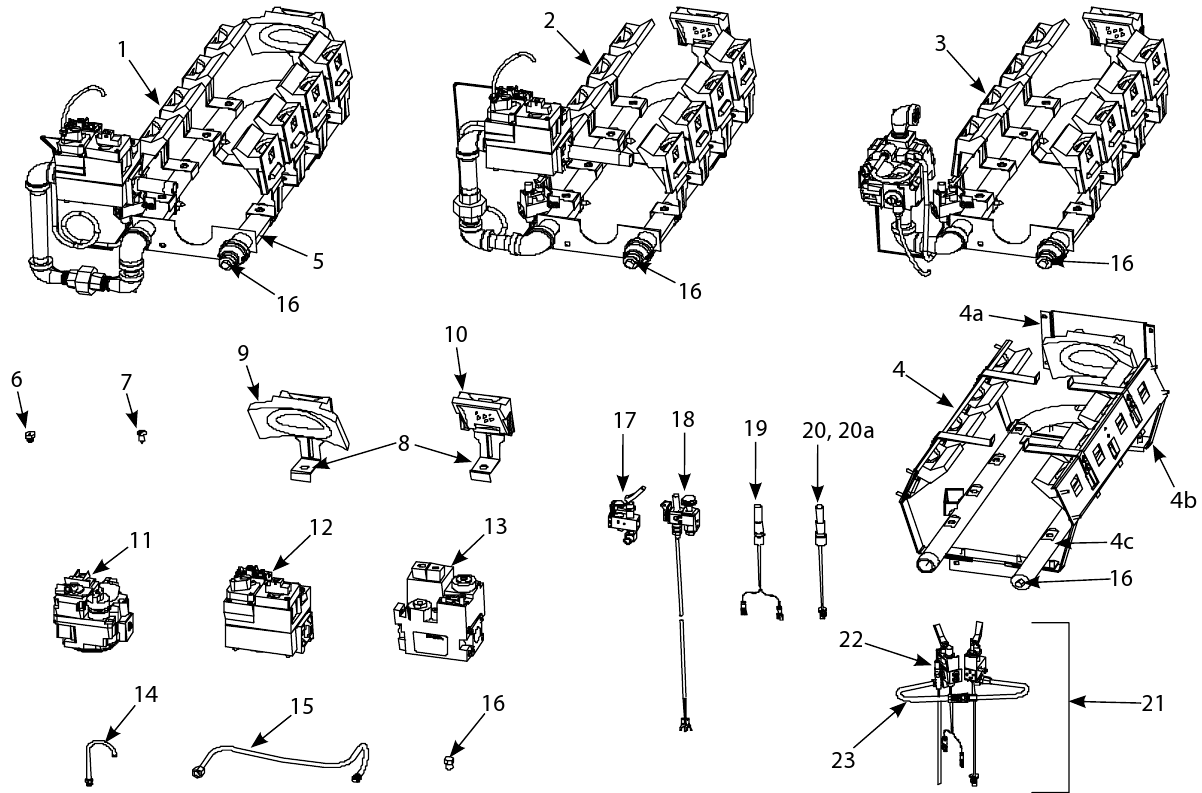
#	PART #	DESCRIPTION	QTY	Note
1	8231111SP	Frypot without Insulation, Stainless Steel, FM35	1	
2	8234488SP	Frypot without Insulation, Stainless Steel	1	
3	8232365SP	Frypot without Insulation, Stainless Steel, MJ35V	1	
4	8231112	Frypot without Insulation, Cold Rolled Steel, FM35	1	
5	8230980SP	Frypot without Insulation, Cold Rolled Steel, MJ35	1	
6	8232364SP	Frypot without Insulation, Cold Rolled Steel, MJ35V	1	
7	8064080SP	Frypot with Flue and Insulation Installed, Frypot Assy, Stainless Steel, FM35	1	
8	8064093SP	Frypot with Flue and Insulation Installed, Frypot Assy, Stainless Steel, FM35	1	[1]
9	8063942SP	Frypot with Flue and Insulation Installed, Frypot Assy, Stainless Steel, MJ35	1	
10	8067709SP	Frypot with Flue and Insulation Installed, Frypot Assy, Stainless Steel, MJ35V	1	
11	8064081SP	Frypot with Flue and Insulation Installed, Frypot Assy, Cold Rolled Steel, FM35	1	
12	8064092SP	Frypot with Flue and Insulation Installed, Frypot Assy, Cold Rolled Steel, FM35	1	[1]
13	8063942SP	Frypot with Flue and Insulation Installed, Frypot Assy, Stainless Steel, MJ35	1	
14	8067709SP	Frypot with Flue and Insulation Installed, Frypot Assy, Stainless Steel, MJ35V	1	
15	8060094	Flue Assembly with Insulation, MJ35	1	[1]
16	8060289SP	Flue Assembly with Insulation, J2XLR	1	[1]
17	8063490SP	Flue Assembly with Insulation, MJ35	1	[2]
18	8064082	Flue Assembly with Insulation, FM35	1	[3]
19	8064094	Flue Assembly with Insulation, FM35	1	[1]

PART NOTES:

- [1] - used in Canadian units only
- [2] - has no Rear Deflector Box
- [3] - has Rear Deflector Box

35 Series Gas Fryers

Gas Valves and Burner Components



35 Series Gas Fryers

Gas Valves and Burner Components

#	PART #	DESCRIPTION	QTY	Note
1	1069793SP	Burner Assembly, Non-CE MJ35, Complete with Gas Valve, Natural Gas	1	
1a	1069794SP	Burner Assembly, Non-CE MJ35, Complete with Gas Valve, Propane Gas	1	
2	1060238SP	Burner Assembly, Non-CE FM35, Complete with Gas Valve, Natural Gas (G20/G25)	1	
2a	1060239SP	Burner Assembly, Non-CE FM35, Complete with Gas Valve, Propane Gas (G31)	1	
3	1060237SP	Burner Assembly, Non-CE J2X, Complete with Gas Valve, Natural Gas (G20/G25)	1	
3a	1060236SP	Burner Assembly, Non-CE J2X, Complete with Gas Valve, Propane Gas (G31)	1	
4	8067222SP	Burner Assembly, CE MJ35, w/o Gas Valve or Piping	1	
4a	9102686	CE Rear Deflector (Target) Mounting Bracket	1	
4b	8067947	CE Deflector (Target) Assembly	1	[1]
4c	8232319	Manifold, CE MJ35 Burner	1	
5	8261917	Manifold, Non-CE MJ/FM35 and J2X	1	
6	8100129	Burner Orifice, #51, 1.70 mm, Natural, J2X	1	
6a	8100134	Burner Orifice, #59, 1.05 mm, Propane, J2X	1	
7	8090170	Screw - #14 X 0.75" Slotted Pan Head	1	
8	9101465	Mounting Bracket - Deflector	1	
9	8063605SP	Deflector (Target) Assembly, Large Rear	1	[2]
10	8064720SP	Deflector (Target) Assembly, Side & Small Rear	1	[2]
11	8261579	Gas Valve Millivolt Gas Valve, Honeywell, Natural	1	
11a	8261580	Millivolt Gas Valve, Honeywell, Propane	1	
12	8071603	Valve, Honeywell Millivolt Gas, Natural	1	
12a	8071604	Valve, Honeywell Millivolt Gas, Propane	1	
13	8067101	Gas Valves, CE, mV Natural Gas	1	
13a	8067102	Gas Valves, CE, mV Propane Gas	1	
14	8100691	Tube, 0.125-inch Vent	1	
15	8100703	Pilot Tubing, Gas Valve to Pilot	1	
15a	8102602	Gas Line, 0.25-inch x 17.50-inch	1	[3]
16	8130154	Plug, 0.125-inch NPT Hex Head Pipe	1	
17	8100426	Pilot, Natural Gas	1	
17a	8100427	Pilot, Propane Gas	1	
18	8073485	Thermopile	1	[4]
18a	1061908SP	Pilot Assemblies, Non-CE, Natural Gas with Thermopile (Twin Spade Terminals, 35)	1	[5]
18b	8102007	Thermopile/Thermocouple, Pilot, Natural Gas, Honeywell	1	[5]
18c	1061909SP	Pilot Assemblies, Non-CE, Pro./But. Gas with Thermopile (Twin Spade Terminals)	1	[5]
18d	8102022	Thermopile/Thermocouple, Pilot, LP Gas, Honeywell	1	[5]
19	8101873	Pilot, Powerpile	1	
19a	8100159	Thermopile, Split-Lead w/Push-on Terminals	1	[6]
20	8100617	Thermopile, Single Screw-in Lead	1	
20a	8100162	Thermopile, Screw-in with Small Barrel	1	
20b	8100425	Thermopile, Screw-in with Small Barrel	1	[7]
21	1060259	Pilot and Thermopile Assembly, CE Dual, Natural Gas (G20/G25)	1	

35 Series Gas Fryers

Gas Valves and Burner Components

#	PART #	DESCRIPTION	QTY	Note
21a	8121284	Thermocouple	1	[8]
21b	1060260	Pilot and Thermopile Assembly, Propane Gas (G31)	1	
21c	8121284	Thermocouple	1	[8]
22	8071906	Ignitor Kit, Optional Piezo, Electrode Assembly	1	
22a	8101001	Trigger, Piezo Ignitor	1	[9]
23	8101173	Gas Line, 0.25-inch x 8.5-inch	1	

PART NOTES:

- [1] - Fits either side
- [2] - includes Bracket, Deflector (Target) Mounting
- [3] - for 15.00-inch line
- [4] - for thermopile only
- [5] - for pilot only
- [6] - for fork terminals
- [7] - also requires adapter
- [8] - for thermocouple only
- [9] - trigger is Part Number

35 Series Gas Fryers

Oil Return Plumbing Components

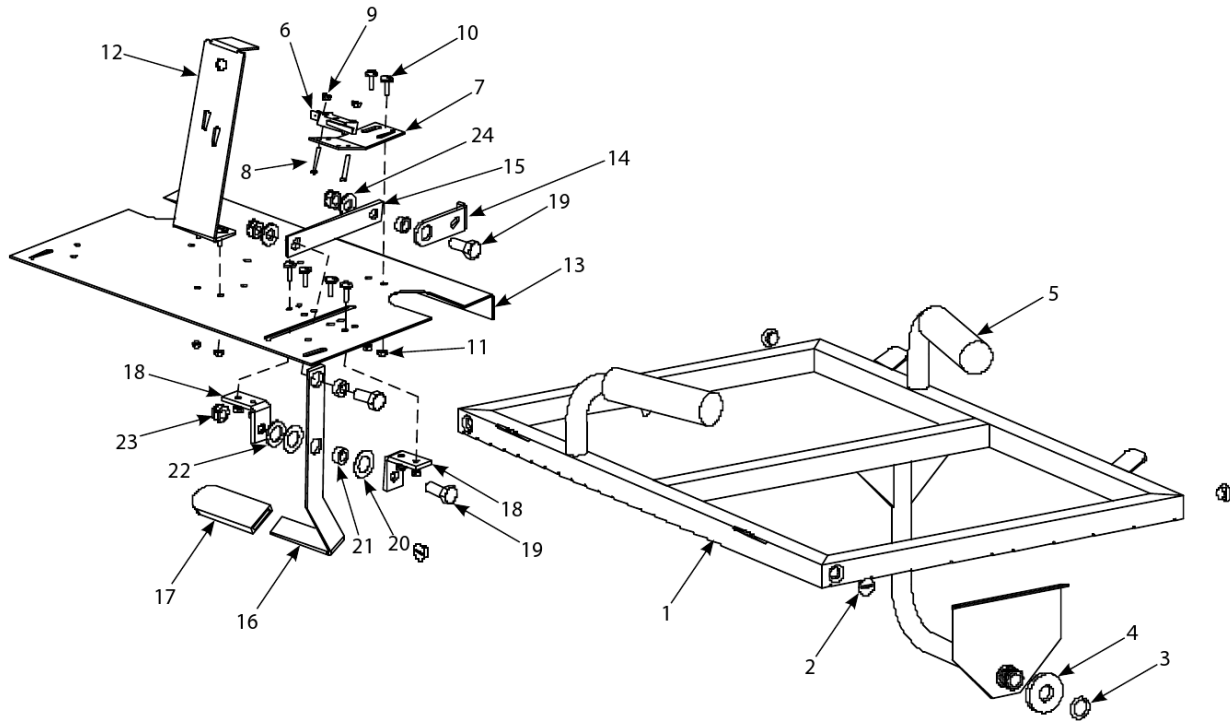
#	PART #	DESCRIPTION	QTY	Note
1	8261712	Motor and Gasket Kit - 115V/50-60 Hz	1	[1]
1a	8261756	Motor and Gasket Kit - 208V/50-60 Hz	1	[1]
1b	8261270	Motor and Gasket Kit - 220-240V/50-60 Hz	1	[1]
1c	8160093	Gasket - Pump/Motor	1	
1d	8066728SP	Pump Motor to Filter Box Wiring Assembly	1	
2	8261264	Pump Kit - 4 GPM	1	[2]
3	8130265	Nipple - 0.5" x 2.5" NP	1	
4	8130062	Elbow - 0.5" BM x 90°	1	
5	8130368	Nipple, 0.5-inch x 16-inch	1	
6	8130463-FRY	Plug - 0.5" NPT	1	
7	8130003-FRY	Tee - 0.5" NPT	1	
8	8101057	Flexline - Oil Return - 13" L	1	[3]
8a	8101668	Male Adaptor - 0.625" OD x 0.5"	2	
9	8130275	Nipple, 0.5-inch x 9-inch	1	
10	8100278	Valve, 0.5" Ball	1	
11	2025721	Handle, Valve	1	
11a	9001853-FRY	Handle, Oil Return	1	
12	8130165	Elbow - 0.5" x 90° NPT Street	1	
13	8130022	Nipple, 0.5" Close NPT BM	1	
14	8231356	Disconnect Fitting Male	1	
15	8261392	O-Ring	5	
16	8160102	Grommet, Oil Diverter	1	
17	9001472	Diverter, Oil	1	
18	9101627	Support Bracket - Male Disconnect	1	
19	8064694SP	Contacto Block Assembly	1	
20	8130117	Nipple, 0.75-inch x 3.5-inch	1	
21	8071600	Thermal Switch, Baldor Motor, 120VAC	1	
22	8071601	Thermal Switch, Baldor Motor, 240VAC	1	
23	8071598	Thermal Switch, Magnatek Motor, 120VAC	1	
24	8071599	Thermal Switch, Magnatek Motor, 240VAC	1	
25	1083098	Wiring Harness - Main Power	1	
26	8071408	Heater Strip - 120V/50W - 70"	1	
27	8072050	Heater Strip - 250V/90W - 70"	1	
28	8110746-FRY	Aluminum Tape – 50 yard roll	1	[4]

PART NOTES:

- [1] - includes gasket
- [2] - 15 LPM includes gasket and mounting screws
- [3] - has female ends
- [4] - 2-inch x 50-yard (46m) roll

35 Series Gas Fryers

Power Shower and Oil Return Handle Components



35 Series Gas Fryers

Power Shower and Oil Return Handle Components

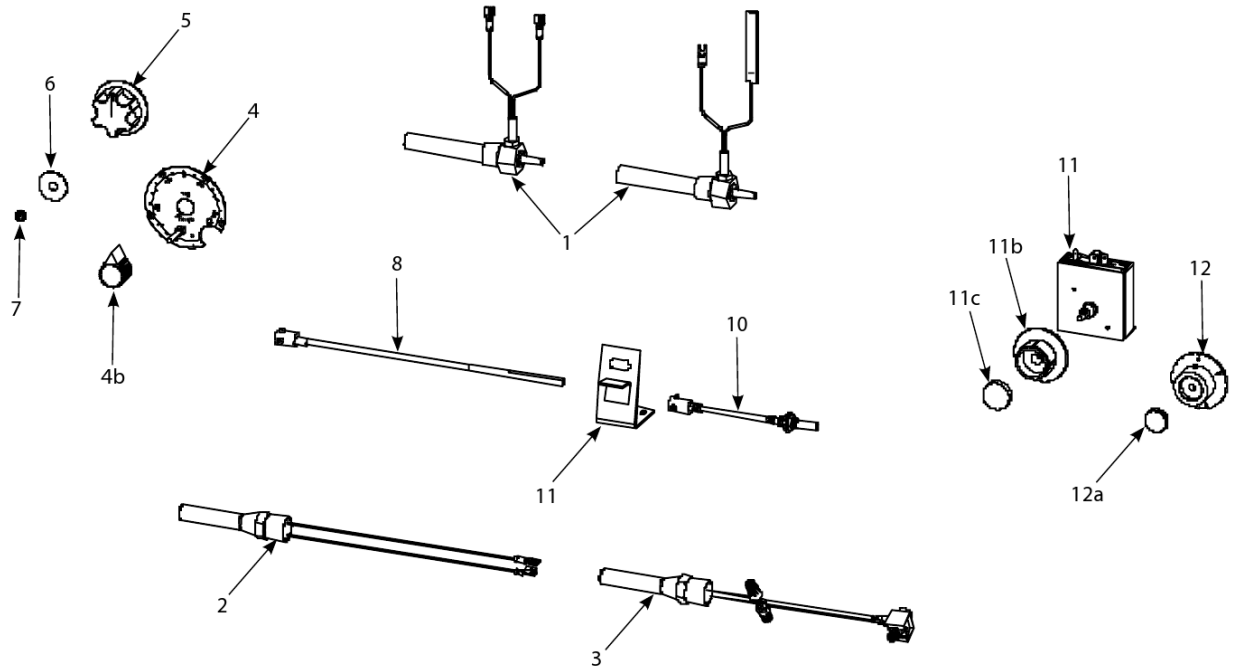
#	PART #	DESCRIPTION	QTY	Note
1	8064542SP	Power Shower	1	
2	8090415	Screw, Power Shower Cleanout	1	
3	8261344	O-Ring	5	
4	8261390	Seal	5	
5	8140001	Grip, Power Shower Handle	1	
6	8072103	Microswitch	1	
7	2000821	Bracket, Handle and Microswitch	1	
8	8261359	Screw - #4-40 x 0.75" Slotted Round Head	25	
9	8261366	Nut - #4-40 Keps Hex	25	
10	8261363	Screw - #8-32 x 0.5" NP	25	
11	8090050	Nut, 8-32 Hex	1	
12	9002129	Bracket, Thermostat Mounting	1	
13	9003837	Shield, FM35 Component	1	
14	2025721	Handle, Valve	1	
15	9200220	Link, Oil Return Valve	1	
16	9001853-FRY	Handle, Oil Return	1	
17	8140047	Cap, Vinyl Red	1	
18	8101999	Bracket, Valve Handle	1	
19	8090142	Screw, 0.3125 – 24 x 0.75" Hex Head	1	
20	8261381	Washer, Nylatron	10	[1]
21	8100220	Spacer, Tubular, .493 OD	1	
22	8090200	Washer, Flat	1	
23	8090056	Nut - 0.3125"- 24, Hex Head, Nylon Lock	1	
24	8090194	Flat Washer - 0.3125" ZP	1	

PART NOTES:

[1] - 2 required – one on each side of Item Spacer

35 Series Gas Fryers

Thermostats, Timer and Related Components



35 Series Gas Fryers

Thermostats, Timer and Related Components

#	PART #	DESCRIPTION	QTY	Note
1	8060184	Thermostat Assembly, Operating, w/Two Push-on Terminals, Non-CE	1	
1a	8067972	Operating thermostat	1	
1b	8065816	Operating Thermostat Assembly, Fenwall, With One Wire Push-on, One Fork Terminal, 3" (MJ35, Non-CE)	1	
2	8261177	Thermostat, High-Limit 425°F/218°C	1	[1]
3	8067550	High-Limit Thermostat, 218°C High-limit (CE)	1	[2]
4	8060087SP	Operating Thermostat Assembly, Fenwall, Thermostat Dial Plate Assembly	1	
4a	8021458	Replacement Label for Thermostat Dial	1	
4b	8100110	Thermostat Knob	1	
5	8100334	Knob, with Skirt	1	
6	8261395	Plug Button	1	
7	8261338	Bushing, Heyco- Shaft Button Plug	1	
7a	8261367	Screw, Dial Plate	25	
8	8100345	Shaft, 7.25" Thermostat Flexible Extension	1	[3]
9	8101651	Shaft, 5.50" Thermostat Flexible Extension	1	[4]
10	8231330	Bracket, MJ35 Thermostat Mounting	1	
11	8073087	Basket Lift Timer, 120V, 60 Hz, 15 min.	1	[5]
11a	8262791	Basket Lift Timer Kit	1	[6]
11b	8101822	Timer Knob	1	
11c	8101823	Timer Button	1	
12	8101733	Knob, 15-Minute Mechanical Timer	1	[7]
12a	8140033	Push Button, Replacement Black	1	

PART NOTES:

- [1] - has assortment of terminals
- [2] - has screw-in gas valve adapter
- [3] - 7.25-inch
- [4] - 5.50-inch
- [5] - includes Items 11b and 11c
- [6] - use to replace discontinued mechanical timer
- [7] - used with discontinued mechanical timer