



OPERATING INSTRUCTIONS

REMOVABLE HEAT MODULE



**ETC-HD Series
Enclosed Transport Cabinet with
Removable Heat Module**

FWE ENCLOSED TRANSPORT CABINET



ETC Cabinet with Removable Heat Module

CONGRATULATIONS...

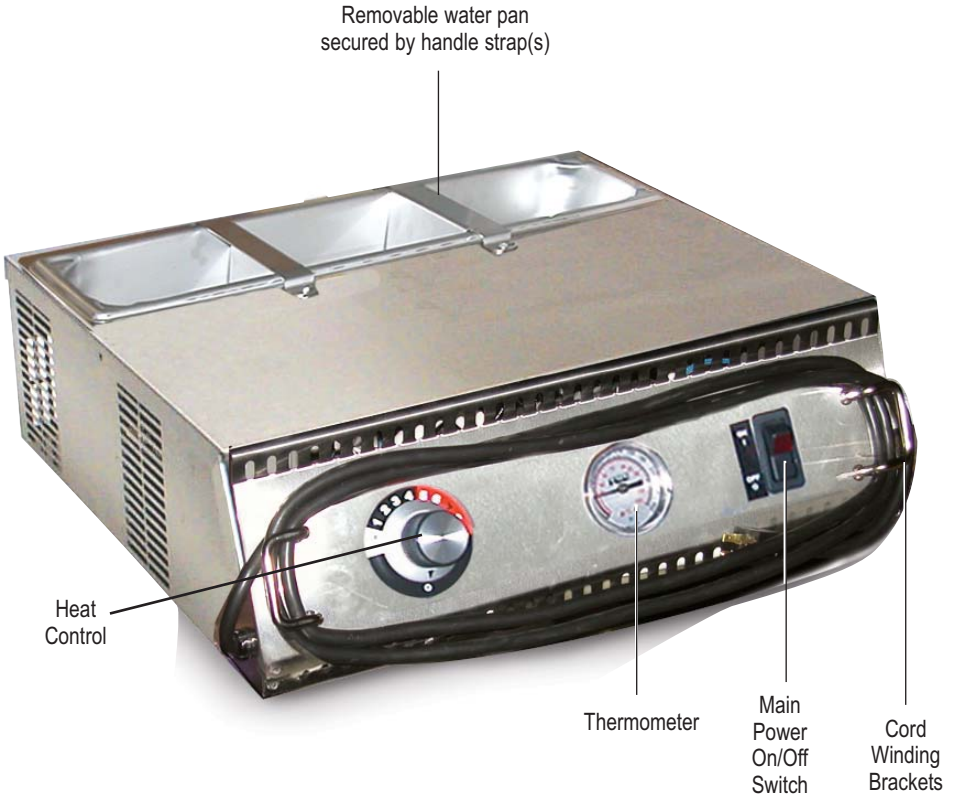
...and thank you for purchasing an FWE Enclosed Transport Cabinet with Removable Heat Module. Your unit has been designed and manufactured under rigid controls to assure you the most efficient service.

Please take a moment to read through this booklet of important information pertaining to your cabinet. By following a routine of proper use and care described on the following pages, your cabinet and heat module will last for many years.

IMPORTANT: Your **Manufacturer Registration Card** must be returned within 30 days after initial delivery to activate the warranty.

FWE REMOVABLE HEAT MODULE

Can be used with or without water.



FWE ETC CABINET WITH REMOVABLE HEAT MODULE INSTALLATION AND CARE

SERIAL AND MODEL NUMBER

These numbers are found on the nameplate (serial tag) affixed to the back of the unit. Please record them in this booklet in the space provided. When ordering parts and/or service, you will need to provide this information. The voltage and amperage of the unit are also stamped on the serial tag.

UNPACKING

After uncrating your cabinet and heating unit, remove all tape and padding which held all doors, shelves, racks, cord, etc., in place during shipment.

ELECTRICAL REQUIREMENTS AND GROUNDING

FWE Removable Heat Module or models operate on 120 volt, 60 Hz, 1 ph, A.C. (unless ordered otherwise), and are equipped with a three prong grounding cord plug for your protection against possible shock hazards. Be sure to plug only into a properly grounded three prong wall receptacle. If you have any questions with regard to adequate wiring or grounding in your building, a qualified electrician should be contacted before using your cabinet. The amperage of your heat module is stamped on the name plate attached to the unit.

DO NOT, UNDER ANY CIRCUMSTANCES, CUT OR REMOVE THE GROUNDING PRONG FROM THE CORD PLUG.

WARNING: ONLY A QUALIFIED ELECTRICIAN SHOULD ATTEMPT TO REPAIR OR REPLACE ELECTRICAL COMPONENTS OR WIRING.

BE SURE THAT MODEL IS UNPLUGGED FROM ELECTRICAL SOURCE BEFORE REMOVING CONTROL PANEL.

GENERAL OPERATING INSTRUCTIONS

HEATED HOLDING AND TRANSPORTING

1) PLUG UNIT INTO OUTLET, making sure that it is a properly grounded power receptacle. Press ON-OFF rocker switch to "ON" position.

2) FILL THE HUMIDIFIER PAN WITH HOT WATER (Optional). The water pan is removable for ease in cleaning and filling. Fill this pan with HOT water prior to heating the cabinet. This will allow the heating system to condition and add humidity to the cabinet's air and help prevent your food from drying out and shrinking.

NOTE: If dry heat is desired (without humidity), *do not add water* or simply drain the water out of the pan.

3) SELECT A TEMPERATURE SETTING. For most foods, a holding temperature of 150° - 160°F should be adequate. By keeping the water pan filled and the HEAT control set at 150°F, a normal (40%) humidity level will be achieved.

4) PRE-HEAT CABINET FOR 20-30 MINUTES. AVOID PUTTING YOUR HOT FOODS INTO A COLD CABINET! By pre-heating the unit 20-30 minutes before each use, you can be assured of maintaining the temperature and obtaining the best results from your cabinet.

5) LOAD THE CABINET. During the loading procedure, keep the door(s) closed as much as possible. After loading is completed, do not open doors again until you are ready to serve.

6) TRANSPORTING HOT FOODS. Your cabinet is equipped with a positive latch to assure safety during transportation. Plug the unit into an electrical outlet at the serving location (if available), so that the thermostat will re-activate and automatically hold your pre-selected temperature.

CAUTION: HOLDING FOOD AT TEMPERATURES OF LESS THAN 140°F MAY BE DANGEROUS. TEMPERATURES UNDER 140°F PROMOTE THE GROWTH OF HARMFUL BACTERIA AND TOXINS IN SOME FOODS.

FWE ETC CABINET WITH REMOVABLE HEAT MODULE

CLEANING AND CARE

CLEANING

Allow cabinet to cool after use. Keep your cabinet clean by simply wiping the interior and exterior, as needed, with a damp cloth or sponge and a mild soapy solution.



NEVER USE ABRASIVES, ACIDS, OR STRONG CLEANERS. Do not flood or allow electrical parts to become wet. The interior tray slide assemblies and humidifier pans are removable for easy cleaning. A stainless steel cleaner/polish is recommended for the exterior to maintain a "like-new" appearance.
DO NOT USE WAX OR STRONG CLEANERS ON DOOR GASKETS OR VINYL TRIM.



WARNING: BE SURE THE HEAT MODULE IS UNPLUGGED OR REMOVED BEFORE CLEANING CABINET. THE WATER PAN AND HEATING ELEMENT(S) ARE HOT WHEN IN USE AND COULD CAUSE INJURY.



WARNING: DO NOT USE WET JET TO HOSE DOWN HEAT MODULE. DO NOT RUN THROUGH DISHWASHER TO CLEAN REMOVABLE HEAT MODULE. DAMAGE TO ELECTRICAL COMPONENTS WILL OCCUR.

YES!
USE THESE
PRODUCTS



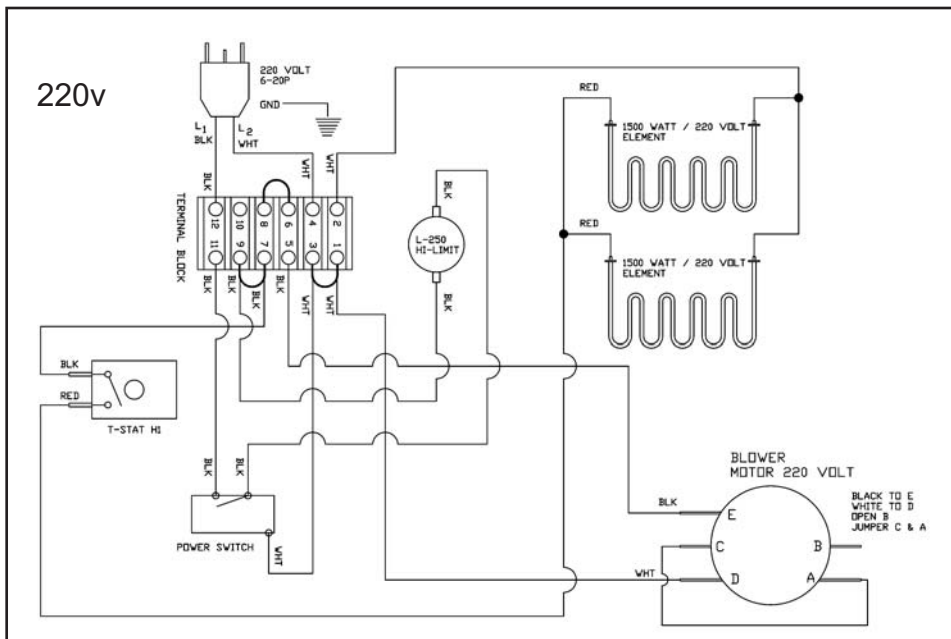
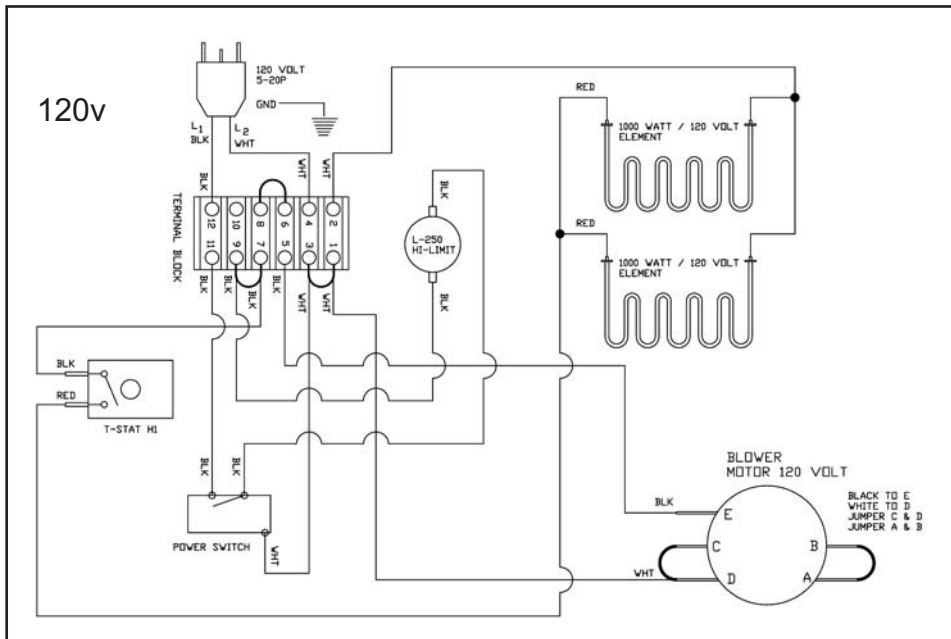
DO NOT USE
THESE PRODUCTS



DO NOT USE
Abrasive Pads, Chlorine or Bleach -
Liquid or Wipes - ON STAINLESS STEEL

FWE REMOVABLE HEAT MODULE

WIRING DIAGRAM



TROUBLE-SHOOTING CHART

Check this list first before you call for service...

PROBLEM	POSSIBLE CAUSE	REMEDY
TEMP TOO HOT	1A] Adjustable thermostat set too high 1B] Thermostat needs re-calibrating**	1A] Set thermostat at a lower temperature (no lower than 140°F). 1B] Loosen screw in thermostat knob and remove knob. Adjust set screw in hollow stem with small blade screwdriver by turning <u>CLOCK-WISE</u> . 1/4 turn lowers temperature approximately 10°F. DO NOT REMOVE SET SCREW.
TEMP NOT HOT ENOUGH	2A] Opening door unnecessarily 2B] Thermostat set too low 2C] Cord plug pulled out from outlet 2D] Fuse blown - no power to outlet 2E] Thermostat out of calibration**	2A] Keep door closed and latched shut as much as possible. 2B] Set thermostat at a higher temperature. 2C] Replug cord into proper outlet. 2D] Have a qualified electrician check power and fuse box. 2E] Loosen set screw in thermostat knob and remove knob. Adjust set screw in hollow stem with small blade screwdriver by turning <u>COUNTER-CLOCKWISE</u> . 1/4 turn raises temperature approximately 10°F. DO NOT REMOVE SET SCREW.
NO HEAT AT ALL	3A] Unit not plugged into outlet 3B] Thermostat knob at " OFF " position 3C] Rocker switch at " OFF " position 3D] Fuse Blown - no power to outlet 3E] Thermostat needs replacing 3F] Heating element burned out*	3A] Plug unit into properly grounded electrical outlet. 3B] Adjust thermostat knob to temperature setting required. 3C] Turn switch to " ON " position. 3D] Have a qualified electrician check power to fuse box. 3E] Unplug unit from electrical source. Loosen set screw in thermostat knob and remove knob. Remove control panel, disconnect wires from terminals on thermostat, and remove 2 screws holding thermostat to control panel. Replace thermostat with new one, and re-install control panel and thermostat knob. 3F] Unplug cart from electrical source. Remove screws holding heating element in place. Gently pull element away from back wall a few inches to expose wire connections. Disconnect wires, and replace element with new one. Reconnect wires, secure element with screws.

** NOTE: CALIBRATION IS EXCLUDED FROM FWE WARRANTY. Thermostats on all units are calibrated at the factory prior to shipping. Due to conditions in transit, beyond our control, occasionally units will need to be re-calibrated prior to use. This is a simple procedure for which instructions are given above. (1B, 2E)

* Heating element will either function or not function. Only a slight warmth indicates a problem with the thermostat, not the element.



FWE ETC CABINET WITH REMOVABLE HEAT MODULE

SERVICE RECORD

Model Number _____

Serial Number _____

Date of Purchase _____

Notes:

FWE ETC CABINET WITH REMOVABLE HEAT MODULE

LIMITED TWO YEAR WARRANTY

FWE / Food Warming Equipment Company, Inc. (Seller) warrants to the original purchaser, subject to the exceptions and conditions below, that FWE manufactured equipment shall be free from defects in material or factory workmanship, under ordinary use for the purpose for which it is designed. The effective warranty period is as follows:

PARTS: Seller will furnish without charge to the original purchaser, FOB Sellers' factory, replacement parts for repairs to all new standard catalog products and factory custom / modified units, which in Seller's sole judgement, prove defective in materials or workmanship under normal and proper use with the reserved right to request the return of any part claimed to be defective, prior to issuing replacement part or authorizing warranty service, for a period of two (2) years from date of original shipment from Seller's plant, except for equipment used in a **Correctional Environment / Facilities**, which is warranted for a period of one (1) year from date of original shipment from Seller's plant.

LABOR: Seller's labor warranty shall be performed by a Seller-approved Service Agency who must contact Seller to obtain a Warranty Service Authorization (WSA) number prior to performing any repairs. If service is required during overtime periods, the difference between overtime and standard labor rates shall be paid by the purchaser. Seller does not assume any responsibility for any charges not expressly authorized, incidental to the repair or replacement of equipment covered by this warranty, nor charges exceeding, in Sellers sole judgement, normal and customary amounts. Only approved travel charges will be allowed. Seller's labor warranty shall be from the date of original shipment date from Seller's plant for a period of one (1) year, except for equipment used in a **Correctional Environment / Facilities** which is warranted for a period of six (6) months.

This warranty is for normal usage and does not apply to any product or parts thereof that have been misused, altered, or where Seller's operating instructions or specific voltage is not observed; nor shall this warranty apply to defective products or parts resulting from accident following date of original shipment, nor extend to or cover removal, installation, reinstallation or calibration, or service calls or cost of repairs undertaken by a customer. This warranty is also subject to the following:

- 1.] Customer returning the warranty registration card, accompanying Sellers original shipment, to Seller within thirty (30) days of receipt;
- 2.] Giving immediate notice of any allegedly defective part or product to Seller; and
- 3.] Customer, at Sellers request, returning said defective parts or product to Seller.

This is the sole warranty applicable to the merchandise. It is expressly understood that Seller's liability hereunder is limited to the repair or replacement, at Seller's option, of products or parts, defective materials or workmanship as provided above. Seller's judgement as to the cause and nature of any defect will be final. Seller shall in no case be responsible for special or consequential damages or any other obligation or liability with respect to products sold by Seller.

This warranty, as stated above, applies to equipment installed in the Continental United States. FWE equipment installed outside the Continental United States shall carry parts coverage only. All labor costs are approved on a discretionary basis, based on like repairs in the Continental U.S. This warranty shall stand in whole or in part as allowed by law. Any exclusion of a part of this warranty, as may be allowed by law, shall not void balance of warranty.



FWE Parts Department:
www.FWEparts.com
Phone: 815 459 7500
FAX: 815 459 7989



WE OFFER SALES AND SERVICE WORLDWIDE

Food Warming Equipment Company, Inc.
P.O. Box 1001 • Crystal Lake, IL 60039-1001

Manufacturing Facilities:
7900 S. Route 31 • Crystal Lake, IL 60014

sales@fweco.net
www.FWE.com